

FEATURES & SPECIFICATIONS

INTENDED USE — Typical applications include corridors, lobbies, conference rooms and private offices.
CONSTRUCTION — Galvanized steel mounting/plaster frame; galvanized steel junction box with bottom-hinged access covers and spring latches. Reflectors are retained by torsion springs.

Vertically adjustable mounting brackets with commercial bar hangers provide 3-3/4" total adjustment. Two combination 1/2"-3/4" and four 1/2" knockouts for straight-through conduit runs. Capacity: 8 (4 in, 4 out). No. 12 AWG conductors, rated for 90°C.

Accommodates 12"-24" joist spacing.

Passive cooling thermal management for 25°C standard; high ambient (40°C) option available. Light engine and drivers are accessible from above or below ceiling.

Max ceiling thickness 1-1/2".

OPTICS — LEDs are binned to a 3-step SDCM; 80 CRI minimum. 90 CRI optional.

LED light source concealed with diffusing optical lens.

General illumination lighting with 1.0 S/MH and 55° cutoff to source and source image.

Self-flanged anodized reflectors in specular, semi-specular, or matte diffuse finishes. Also available in white and black painted reflectors.

ELECTRICAL — Multi-volt (120-277V, 50/60Hz) 0-10V dimming drivers mounted to junction box, 10% or 1% minimum dimming level available.

0-10V dimming fixture requires two (2) additional low-voltage wires to be pulled.

70% lumen maintenance at 60,000 hours.

LISTINGS — Certified to US and Canadian safety standards. Wet location standard (covered ceiling).

IP55 rated. ENERGY STAR® certified product.

WARRANTY — 5-year limited warranty. Complete warranty terms located at:

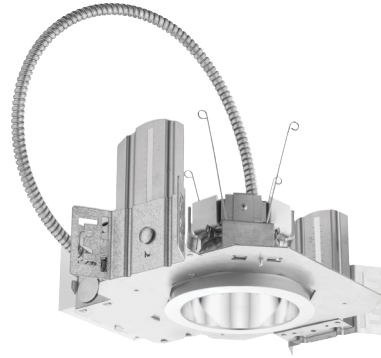
www.acuitybrands.com/CustomerResources/Terms_and_conditions.aspx

Note: Actual performance may differ as a result of end-user environment and application.

All values are design or typical values, measured under laboratory conditions at 25 °C.

Specifications subject to change without notice.

Catalog Number
Notes
Type



LDN4

**4" OPEN
Non-IC
New Construction Downlight**



A+ Capable options indicated by this color background.

ORDERING INFORMATION

Lead times will vary depending on options selected. Consult with your sales representative.

Example: LDN4 35/15 L04AR LSS MVOLT EZ1

LDN4 Series	Color temperature	Lumens ¹	Aperture/Trim Color		Finish	Voltage
LDN4 4" round	27/ 2700K	05 500 lumens	L04	Downlight	AR Clear	LSS Semi-specular
	30/ 3000K	10 1000 lumens	LW4	Wallwash	WR ² White	LD Matte diffuse
	35/ 3500K	15 1500 lumens			BR ² Black	LS Specular
	40/ 4000K	20 2000 lumens				MVOLT Multi-volt
	50/ 5000K	25 2500 lumens				120 120V
		30 3000 lumens				277 277V
						347 ³ 347V

Driver	Options			
GZ10 0-10V driver dims to 10%	SF ⁴	Single fuse	N80 ^{7,10}	nLight™ Lumen Compensation
GZ1 0-10V driver dims to 1%	TRW ⁶	White painted flange	NPS80EZ ^{7,10}	nLight® dimming pack controls 0-10V eldoLED drivers (EZ10, EZ1).
EZ10 0-10V eldoLED driver with smooth and flicker-free deep dimming performance down to 10%	TRBL ⁶	Black painted flange	NPS80EZER ^{7,10}	nLight® dimming pack controls 0-10V eldoLED drivers (EZ10, EZ1). ER controls fixtures on emergency circuit.
	EL ⁵	Emergency battery pack with integral test switch. 10W Constant Power, Not Certified in CA Title 20 MAEDBS	HAO ¹¹	High ambient option (40°C)
EZ1 0-10V eldoLED driver with smooth and flicker-free deep dimming performance down to 1%	ELR ⁵	Emergency battery pack with remote test switch. 10W Constant Power, Not Certified in CA Title 20 MAEDBS	CP ¹²	Chicago Plenum
	ELSD ⁵	Emergency battery pack with self-diagnostics, 10W Constant Power, integral test switch. Not Certified in CA Title 20 MAEDBS	RRL___	RELOC®-ready luminaire connectors enable a simple and consistent factory installed option across all ABL luminaire brands. Refer to RRL for complete nomenclature. Available only in RRLA, RRLB, RRLAE, and RRLC12S.
	ELRSD ⁵	Emergency battery pack with self-diagnostics, 10W Constant Power, remote test switch. Not Certified in CA Title 20 MAEDBS	NLTAIR2 ^{8,9}	nLight® Air enabled
	E10WCP ⁵	Emergency battery pack, 10W Constant Power with integral test switch. Certified in CA Title 20 MAEDBS	NLTAIRER2 ^{8,10}	nLight® AIR Dimming Pack Wireless Controls. Controls fixtures on emergency circuit
	E10WCPR ⁵	Emergency battery pack, 10W Constant Power with remote test switch. Certified in CA Title 20 MAEDBS	USPOM	US point of manufacture
	NPP16D ^{7,10}	nLight® network power/relay pack with 0-10V dimming for non-elidoLED drivers (GZ10, GZ1).	90CRI	High CRI (90+)
	NPP16DER ^{7,10}	nLight® network power/relay pack with 0-10V dimming for non-elidoLED drivers (GZ10, GZ1). ER controls fixtures on emergency circuit.		

Notes

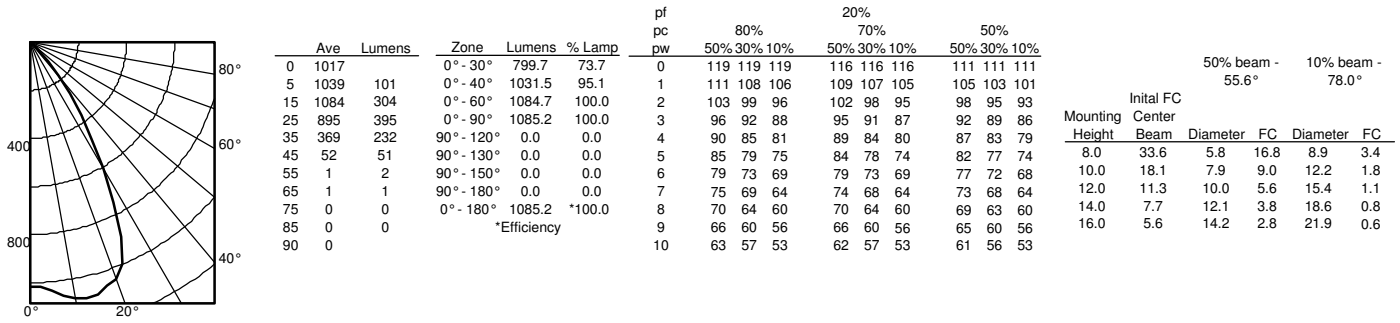
- Overall height varies based on lumen package; refer to dimensional chart on page 3.
- Not available with finishes.
- Not available with emergency options.
- Must specify voltage 120V or 277V.
- 12.5" of plenum depth or top access required for battery pack maintenance.
- Available with clear (AR) reflector only.
- Specify voltage. ER for use with generator supply EM power. Will require an emergency hot feed and normal hot feed.
- Fixture begins at 80% light level. Must be specified with NPS80EZ or NPS80EZ ER. Only available with EZ10 and EZ1 drivers.
- Not available with CP, NPS80EZ, NPS80EZER, NPP16D, NPP16DER or N80 options.
- NLTAIR2 and NLTAIRER2 not recommended for metal ceiling installations.
- Fixture height is 5-11/16" for all lumen packages with HAO.
- Must specify voltage for 3000lm. Not available with emergency battery pack option.

LDN4

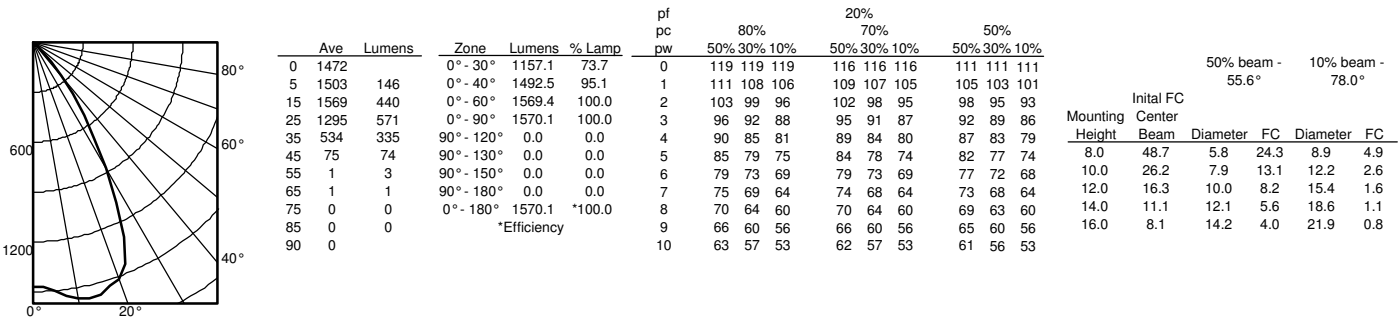
PHOTOMETRY

Distribution Curve	Distribution Data	Output Data	Coefficient of Utilization	Illuminance Data at 30" Above Floor for a Single Luminaire
--------------------	-------------------	-------------	----------------------------	--

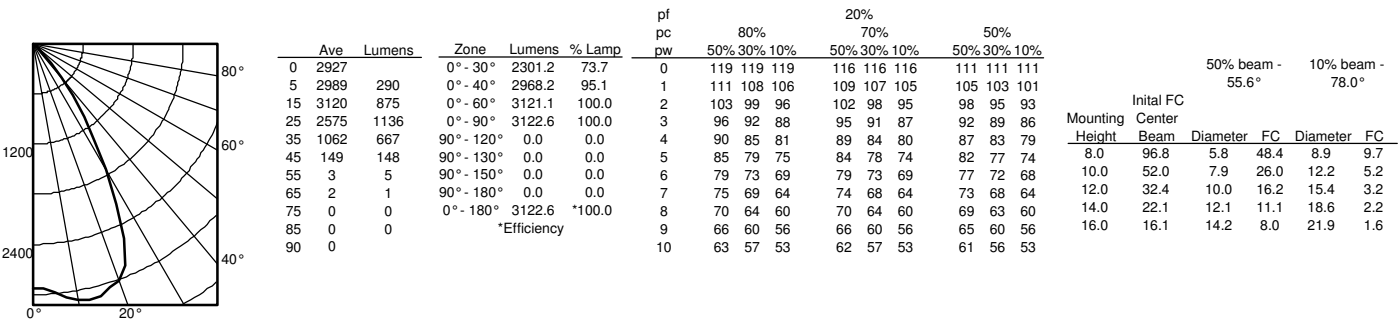
LDN4 35/10 L04AR, input watts: 10.58, delivered lumens: 1085.2, LM/W = 102.57, spacing criterion at 0= 1.04, test no. ISF 30712P229.



LDN4 35/15 L04AR, input watts: 17.5, delivered lumens: 1570.1, LM/W = 89.72, spacing criterion at 0= 1.04, test no. ISF 30712P234.



LDN4 35/30 L04AR, input watts: 32.1, delivered lumens: 3122.6, LM/W = 88.52, spacing criterion at 0= 1.04, test no. ISF 30712P249.



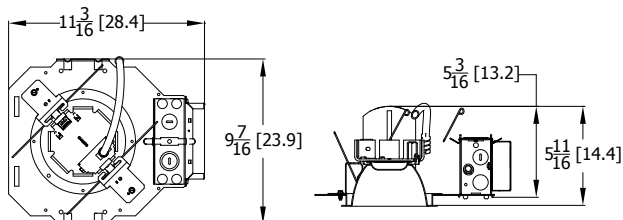
Accessories: Order as separate catalog numbers (shipped separately).

SCA4 Sloped ceiling adapter.
Degree of slope must be specified (5D, 10D, 15D, 20D, 25D, 30D). Refer to [TECH-190](#).

LDN4

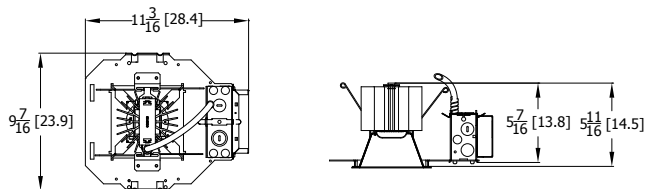
* All dimensions are inches (centimeters) unless otherwise noted.

LDN4 500-1500 LUMEN



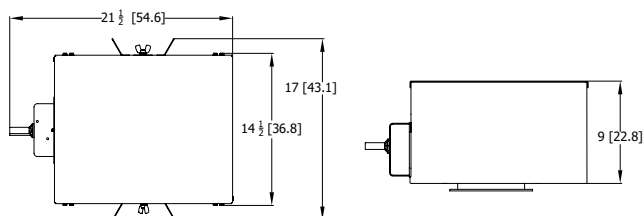
Aperture: 4-5/16 (11)
Ceiling Opening: 5-1/8 (13)
Overlap trim: 5-7/16 (13.8)

LDN4 2000-3000 LUMEN



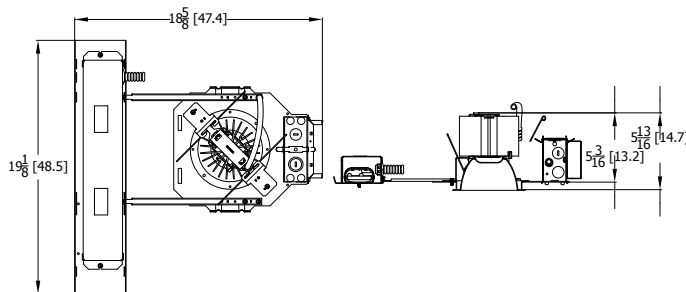
Aperture: 4-5/16 (11) Square
Ceiling Opening: 5-1/8 (13) Square
Overlap trim: 5-7/16 (13.8) Square

LDN4 CP



Aperture: 4-5/16 (11)
Ceiling Opening: 5-1/8 (13)
Overlap trim: 5-7/16 (13.8)

LDN4 EL-ELR



Aperture: 4-5/16 (11)
Ceiling Opening: 5-1/8 (13)
Overlap trim: 5-7/16 (13.8)

LDN4			
Nominal	Lumens	Wattage	Lm/W
500	523.6	5.74	91.2
750	751.1	8.6	87.3
1000	1045	10.58	98.8
1500	1512	17.5	86.4
2000	2006	22.12	90.7
2500	2551	26.1	97.7
3000	3007	32.1	93.7
4000	4212	43	98.0

LUMEN OUTPUT MULTIPLIERS - CCT					
	2700K	3000K	3500K	4000K	5000K
80CRI	0.950	0.966	1.000	1.025	1.101

HOW TO ESTIMATE DELIVERED LUMENS IN EMERGENCY MODE

Use the formula below to estimate the delivered lumens in emergency mode

$$\text{Delivered Lumens} = 1.25 \times P \times \text{LPW}$$

P = Output power of emergency driver. P = 10W for PS1055CP

LPW = Lumen per watt rating of the luminaire. This information is available on the ABL luminaire spec sheet.

The LPW rating is also available at Designlight Consortium.

LUMEN OUTPUT MULTIPLIERS - FINISH			
	Clear (AR)	White (WR)	Black (BR)
Specular (LS)	1.0	N/A	N/A
Semi-specular (LSS)	0.950	N/A	N/A
Matte diffuse (LD)	0.85	N/A	N/A
Painted	N/A	0.87	0.73

Notes

- Tested in accordance with IESNA LM-79-08.
- Tested to current IES and NEMA standards under stabilized laboratory conditions.
- CRI: 80 typical.

ADDITIONAL DATA

COMPATIBLE 0-10V WALL-MOUNT DIMMERS		
MANUFACTURER	PART NO.	POWER BOOSTER AVAILABLE
Lutron®	Diva® DVTV	
	Diva® DVSTV	
	Nova T® NTFTV	
	Nova® NFTV	
Leviton®	AWSMT-7DW	CN100
	AWSMG-7DW	PE300
	AMRMG-7DW	
	Leviton Centura Fluorescent Control System	
	IllumaTech® IP7 Series	
Synergy®	ISD BC	RDMFC
	SLD LPCS	
	Digital Equinox (DEQ BC)	
Douglas Lighting Controls	WPC-5721	
Entertainment Technology	Tap Glide TG600FAM120 (120V)	
	Tap Glide Heatsink TGH1500FAM120 (120V)	
	Oasis OA2000FAMU	
Honeywell	EL7315A1019	EL7305A1010 (optional)
	EL7315A1009	
HUNT Dimming	Preset slide: PS-010-IV and PS-010-WH	
	Preset slide: PS-010-3W-IV and PS-010-3W-WH	
	Preset slide, controls FD-010: PS-IFC-010-IV and PS-IFC-010-WH-120/277V	
	Preset slide, controls FD-010: PS-IFC-010-3W-IV and PS-IFC-010-3W-WH-120/277V	
	Remote mounted unit: FD-010	
Lehigh Electronic Products	Solitaire	PBX
PDM Electrical Products	WPC-5721	
Starfield Controls	TR61 with DALI interface port	RT03 DALInet Router
WattStopper®	LS-4 used with LCD-101 and LCD-103	

A+ Capable Luminaire

This item is an A+ capable luminaire, which has been designed and tested to provide consistent color appearance and out-of-the-box control compatibility with simple commissioning.

- All configurations of this luminaire meet the Acuity Brands' specification for chromatic consistency
- This luminaire is part of an A+ Certified solution for nLight® control networks when ordered with drivers marked by a **shaded background***
- This luminaire is part of an A+ Certified solution for nLight control networks, providing advanced control functionality at the luminaire level, when selection includes driver and control options marked by a **shaded background***

To learn more about A+, visit www.acuitybrands.com/aplus.

*See ordering tree for details

LDN4

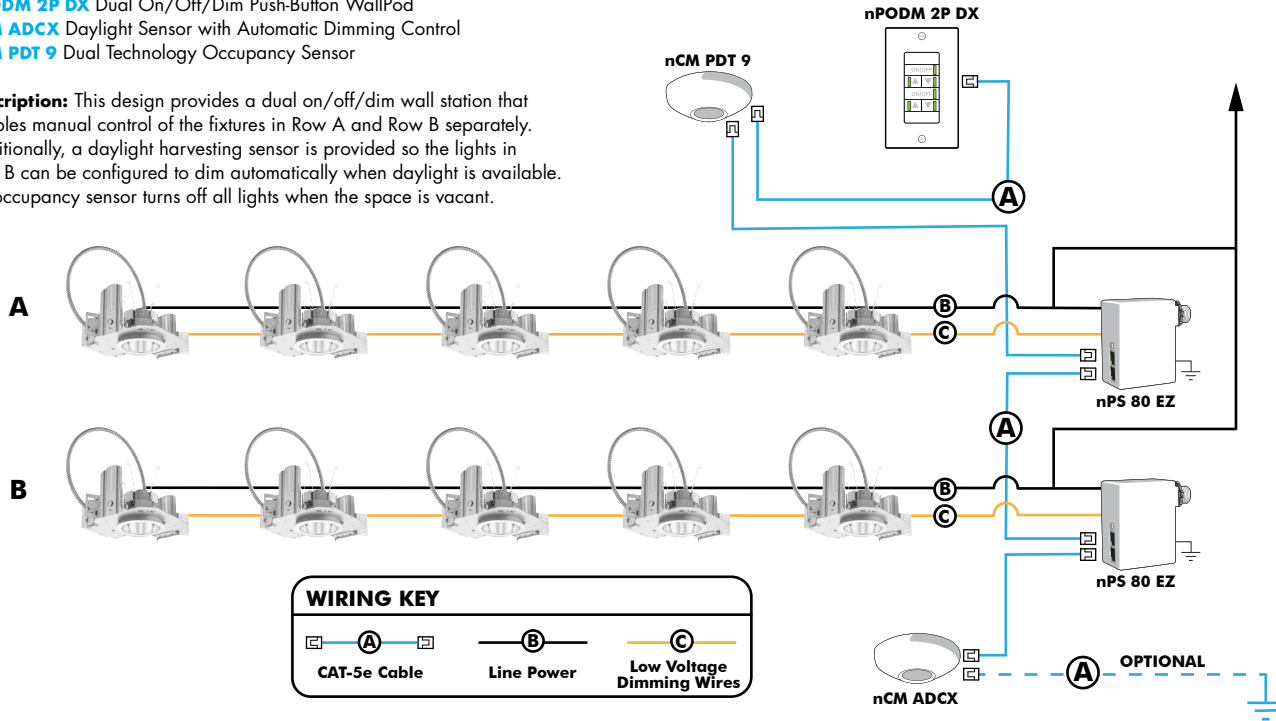
EXAMPLE

Group Fixture Control*

*Application diagram applies for fixtures with eldoLED drivers only.

- nPS 80 EZ** Dimming/Control Pack (qty: 2 required)
- nPODM 2P DX** Dual On/Off/Dim Push-Button WallPod
- nCM ADCX** Daylight Sensor with Automatic Dimming Control
- nCM PDT 9** Dual Technology Occupancy Sensor

Description: This design provides a dual on/off/dim wall station that enables manual control of the fixtures in Row A and Row B separately. Additionally, a daylight harvesting sensor is provided so the lights in Row B can be configured to dim automatically when daylight is available. An occupancy sensor turns off all lights when the space is vacant.



Choose Wall Controls

nLight offers multiple styles of wall controls - each with varying features and user experience.



Push-Button Wallpod
Traditional tactile buttons and LED user feedback



Graphic Wallpod
Full color touch screen provides a sophisticated look and feel

nLight® Wired Controls Accessories:

Order as separate catalog number. Visit www.acuitybrands.com/products/controls/nlight for complete listing of nLight controls.

WallPod Stations	Model number	Occupancy sensors	Model Number
On/Off	nPODM (Color)	Small motion 360°, ceiling (PIR/dual Tech)	nCM 9 / nCM PDT 9
On/Off & Raise/Lower	nPOD DX (Color)	Large motion 360°, ceiling (PIR/dual tech)	nCM 10 / nCM PDT 10
Graphic Touchscreen	nPOD GFX (Color)	Wide View (PIR/dual tech)	nWV 16 / nWV PDT 16
Photocell controls	Model Number	Wall Switch w/ Raise/Lower (PIR/dual tech)	nWSX LV DX / nWSX PDT LV DX
Dimming	nCM ADCX	Cat-5 cables (plenum rated)	Model Number
		10', CAT5 10FT	CATS 10FT J1
		15, CAT5 15FT	CATS 15FT J1

nLight® AIR Control Accessories:

Order as separate catalog number. Visit www.acuitybrands.com/products/controls/nlightair.

Wall switches	Model number
On/Off single pole	rPODB [color]
On/Off two pole	rPODB 2P [color]
On/Off & raise/lower single pole	rPODB DX [color]
On/Off & raise/lower two pole	rPODB 2P DX [color]
On/Off & raise/lower single pole	rPODBZ DX WH ¹

Notes

- 1 Can only be ordered with the RES7Z zone control sensor version.

nLight AIR

nLight AIR is the ideal solution for retrofit or new construction spaces where adding communication is cost prohibitive. The integrated nLight AIR rPP20 Power Pack is part of each Lithonia LDN Luminaire. These individually addressable controls offer the ultimate in flexibility during initial setup and for space repurposing.



Simple as 1,2,3

1. Install the nLight® AIR fixtures with embedded smart sensor
2. Install the wireless battery-powered wall switch
3. With CLAIRITY app, pair the fixtures with the wall switch and if desired, customize the sensor settings for the desired outcome



FEATURES & SPECIFICATIONS

INTENDED USE — Suitable for applications requiring attractive edge-lit exit signage, universal installation and low energy consumption.

CONSTRUCTION — Extruded brushed aluminum finish.

Clear acrylic panels- letters measure 6" high with 3/4" stroke, with 100 ft viewing distance rating, based upon UL 924 standard.

For single-face clear panels, EXIT is seen as a reversed image from the back.

OPTICS — LEDs mounted on printed circuit board. The typical life of the exit LED lamp is 10 years.

The LED operating frequency is 120Hz.

ELECTRICAL — Dual voltage input capacity (120/277V).

Battery: (EL Option) – Sealed, maintenance free nickel-cadmium battery delivers 90 minutes capacity to emergency lamps. Test switch provides manual activation of 30-second diagnostic testing for on-demand visual inspection.

Self-diagnostic testing (EL Option Only) for 30 seconds every 30 days and 90 minutes annually. Diagnostic evaluation of LED light source, AC to DC transfer, charging and battery condition.

INSTALLATION — EDG – Universal surface (top, end or back) mounting. Canopy provided.

EDGR – Recessed mounting. Bar hanger and brackets provided for both new or restricted ceiling access installation applications. Back wall mount (WM) option.

Universal directional indicators. Field selected and attached.

LISTINGS — UL damp location listed 32°-122°F (0°-50°C) standard. Meets UL924, NFPA 101 (current Life Safety Code), NEC and OSHA illumination standards.

WARRANTY — 5-year limited warranty. Complete warranty terms located at:

www.acuitybrands.com/support/customer-support/terms-and-conditions

NOTE: Actual performance may differ as a result of end-user environment and application.

All values are design or typical values, measured under laboratory conditions at 25°C.

Specifications subject to change without notice.

Catalog Number
Notes
Type



EDG (surface mount)



EDGR (recessed mount)

LED Edge-Lit Exits

EDG EDGR

LED Lamps



Specifications

EDG (End Mount)	EDG (Top Mount)
Length: 13-5/8 (34.6)	Length: 13 (33.0)
Depth: 5-1/2(14.0)	Depth: 4-5/16 (11.0)
Height: 11-1/8 (28.3)	Height: 11-3/4 (29.8)
Shipping Weight : 4 lbs (1.8 kgs)	Shipping Weight : 4 lbs (1.8 kgs)
EDG (Back Mount)	EDGR
Length: 13 (33.0)	Length: 13 (33.0)
Depth: 3 (7.6)	Depth: 1-3/4 (4.4)
Height: 11-1/8 (28.3)	Height: 8 (20.3)
Shipping Weight : 4 lbs (1.8 kgs)	Shipping Weight : 6.8 lbs (3.1 kgs)
	Shipping Weight (WM option) : 8.1 lbs (3.7 kgs)

All dimensions are inches (centimeters) unless otherwise noted.

ORDERING INFORMATION

For shortest lead times, configure products using **bolded options**.

Example: EDG 1 R EL

Family	Housing color	Number of faces	Letter color	Operations	Options
EDG Surface mount LED edge-lit exit	(blank) Brushed aluminum	1 Single face	R Red on clear (single face only) ¹	(blank) AC only	(blank) None
EDGR Recessed LED edge-lit exit	W White	2 Double face	G Green on clear (single face only) ¹	EL Nickel-cadmium battery	WM Recessed wall mount ⁶
			RMR Red on mirror ²	X2 Lamp wired on two separate AC circuits (specify 120V or 277V) ⁴	
			GMR Green on mirror ²	SD Self-diagnostics ⁵	
			RW Red on white ³		
			GW Green on white ³		

Notes

- For single-face clear panels, EXIT is seen as a reversed image from the back.
- Available with single and double face.
- White panel standard for double and single face.
- Not available with EL and SD options. Both circuits can be energized at the same time.
- Available with EL option only.
- Available on EDGR single face only
- See spec sheet [ELA-StemKits](#). Only available for EDG.
- Back mount only.

Accessories: Order as separate item.	
ELA US12	12" stem kit with brushed aluminum canopy ⁷
ELA W US12	12" stem kit with white canopy ⁷
ELA WG1	Wireguard ⁸

EDG-EDGR LED, Surface and Recessed Mount Edge-Lit Exits

SPECIFICATIONS

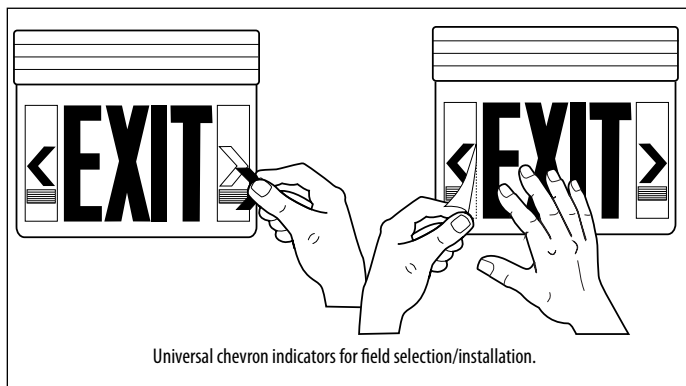
ELECTRICAL						
Primary Circuit						
Type	Typical LED life ¹	Supply voltage	EDG		EDGR	
			Input Watts	Max amps.	Input Watts	Max amps.
Red LED AC only	10 years	120	2.5	0.020	3.8	0.030
		277	2.8	0.010	4.5	0.014
Green LED AC only	10 years	120	2.2	0.020	3.8	0.030
		277	2.2	0.010	4.5	0.020
Red LED emergency	10 years	120	3.0	0.030	3.8	0.031
		277	3.1	0.010	4.5	0.015
Green LED emergency	10 years	120	2.6	0.020	3.8	0.031
		277	2.8	0.010	4.5	0.020

BATTERY (EL option)			
Sealed Nickel-Cadmium			
Shelf life ²	Typical life ²	Maintenance ³	Optimum temperature ⁴
3 years	7-9 years	none	32-122°F (0-50°C)

Notes

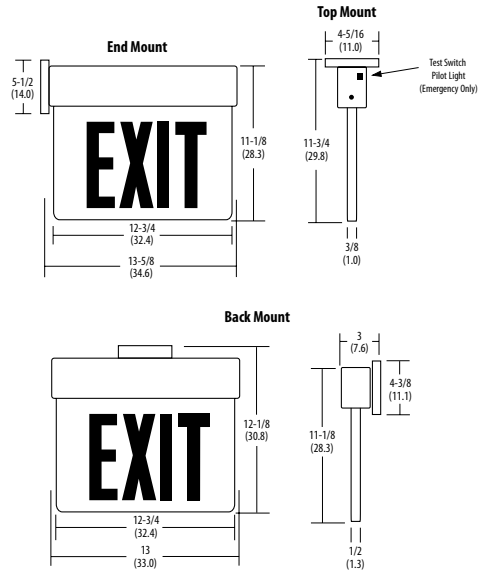
- Based on continuous operation. The typical life of the exit LED lamp is 10 years.
- At 77°F (25°C).
- All life safety equipment, including emergency lighting for path of egress must be maintained, serviced, and tested in accordance with all National Fire Protection Association (NFPA) and local codes. Failure to perform the required maintenance, service, or testing could jeopardize the safety of occupants and will void all warranties.
- Optimum ambient temperature range where unit will provide capacity for 90 minutes. Higher and lower temperatures affect life and capacity.

KEY FEATURES

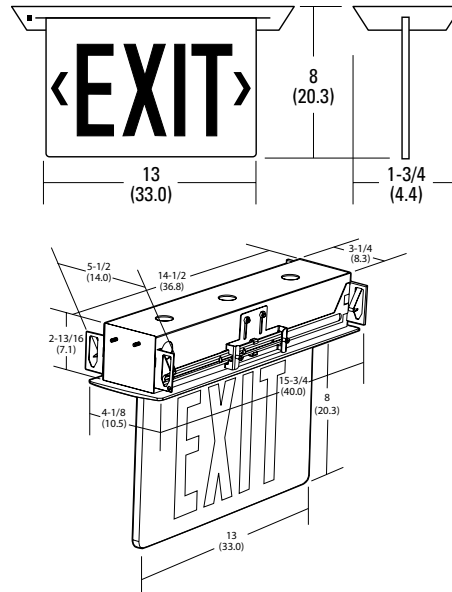


MOUNTING

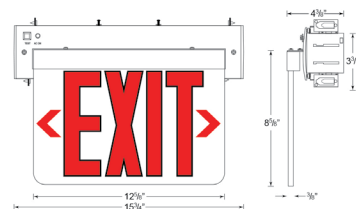
EDG



EDGR



EDGR WM option





createchange



FEATURES

- High-performance LED luminaire
- Long-life, 60,000 hour LEDs at L80 (80% lumen maintenance) reduce life cycle maintenance costs
- Four LED color choices
- Multiple lumen packages (see Product Availability Table)
- Superior color consistency to a 3-step MacAdam ellipse and 82 CRI
- Full distribution provides controlled high angle light for visual comfort
- Lens design and materials provide uniform appearance without pixilation
- Unique frameless optical system and modular electrical system allow for easy LED module or driver replacement from below the ceiling
- Most configurations produce low W/ft² to meet the most restrictive lighting power density codes
- DLC® (DesignLights Consortium) Qualified - see www.designlights.org
- Five year warranty

PROJECT INFORMATION

Project Name _____

Type _____

Catalog No. _____

Date _____

CONSTRUCTION

Luminaire housing, end caps, and reflectors are die-formed code-gauge cold-rolled steel. Frameless optics system hinges from either side for easy access to lamps and electrical components. Mechanical light trap prevents light leaks. Latches are spring loaded. Fixture construction is standard static. Air handling return air side slots are available as option.

CEILING COMPATIBILITY

Luminaire fits recessed exposed grid ceilings (G); four integral T-Bar clips standard. A flange kit (FK) option is available for recessed hard ceiling applications. Surface Mount (SM) option allows placement on ceiling plane. Cable Mount option (CM) allows suspension below ceiling plane. For information on compatibility with specific ceilings, or where plenum depth is a problem, contact your Hubbell Lighting representative.

FINISH

All visible parts are custom formulated soft, non-glare high-reflectance white powder coat finish, painted after fabrication.

CERTIFICATION

All luminaires are built to UL1598 and 2108 standards, and bear appropriate CSA labels. Damp location labeling is standard. Emergency equipped fixtures labeled UL924. Adheres to LM79, LM80 and TM21 standards. IC rating is standard on all models. DLC® (DesignLights Consortium) Qualified. Please refer to the DLC website for specific product qualifications at www.designlights.org. UL Sanitation Approved.

SHIELDING

Lenses are high transmission extruded acrylic.

WARRANTY

Five year warranty. (Terms and Conditions apply)

INSTALLATION

An access plate is furnished with each recessed fixture for fast wiring connections without the necessity to open the fixture or wireway.

ORDERING INFORMATION

EXAMPLE LEPC24-35LWG-LL-EDU

LEPC 24 -		- LL -		-		-	
MODEL	COLOR TEMP	CEILING TYPE	AIR FUNCTION	DRIVER	VOLTAGE	OPTIONS	
LEPC e-poc® LED Full Distribution Luminaire	30 3000K 35 3500K 40 4000K 50 5000K	G Grid ² SM Surface Mount CM Cable Mount ³	Blank Static A Air Return Side Slots	E Fixed Output ED 0-10V Dimming ED1 0-10V 1% Dimming EDD 0-10V Dim-to-Dark ESD Step Dimming ⁴ LUTH Hi-lume 1% EcoSystem LED driver with Soft-on, Fade-to-Black dimming technology ⁴ LUTS 5-Series EcoSystem LED driver ^{1,4}	U 120V-277V 347 347V	ELL14 Emergency Battery Pack Installed, 1400 Lumens ^{1,5,6} C388 3-Wire Flex C488 4-Wire Flex C588 5-Wire Flex GLR Fast Blow Fuse EOR End of Row (SM/CM only) ⁷ INT Intermediate (SM/CM only) ⁷ GTD Generator Transfer Device ⁸ CP Chicago Plenum	
SIZE	LUMEN OUTPUT	SHIELDING					
24 2' x 4'	XW Extra Low Watt VW Very Low Watt MW Medium Low Watt LW Low Watt ML Medium Lumen HL High Lumen VL Very High Lumen ¹ XL Extra High Lumen ¹ (See Product Availability Table Below)	LL Low Lamp Image					

¹ VL and XL not available with ELL14 or Lutron drivers.
² For drywall, order G with Flange Kit Accessory.
³ Order hanger accessories separately.
⁴ Not available with 347V.
⁵ Not available with Surface Mount ceiling types.
⁶ For compatibility with Dual-Lite LiteGear® inverters in lieu of installed Battery Pack, contact Hubbell Lighting Representative.
⁷ Provides ends with wiring access for continuous row mounting.
⁸ Not available with VL or XL Lumen Output.
Damp Label - standard
IC Rating - standard

ACCESSORIES (ORDER SEPARATELY)

FK24	2' x 4' Single Flange Kit
FKCR	Flange Kit Row Adaptor
CM48Y2SC3F-KIT	43" Cable Mount Kit for 2' wide CM ceiling type, 3-Wire Feed Cord

PRODUCT AVAILABILITY

SIZE	LUMEN PACKAGE	NOMINAL LUMENS	NOMINAL WATTS	LUMENS PER WATT
2'x4'	XW	2486-2680	20	132
	VW	3211-3462	25	132
	MW	3594-3874	28	131
	LW	4203-4531	34	130
	ML	4812-5187	40	127
	HL	5590-6026	47	123
	VL	7004-7550	60	122
	XL	8537-9203	76	117

Actual lumens will vary according to color temperature and other factors. For exact lumens and watts see specific photometric test(s).

Protected by US Patents D603,999; D604,446.
 Additional US and Canada Patents Pending.
 Specifications subject to change without notice.



PHOTOMETRIC DATA

Test 14.00748 Test Date 11/13/2014

LUMINAIRE DATA

Luminaire	LEPC24-40LWG-LL-EDU LEPC Epc LED Full Distribution, Recessed Architectural 2 x 4 LED with frosted linear prisms lenses
Ballast	D700C30UNVTZ-C
Ballast Factor	1.00
Lamp	LED
Fixture Lumens	3635
Watts	28.60
Shielding Angle	0° = 90 90° = 90
Spacing Criterion	0° = 1.19 90° = 1.25
Luminous Opening in Feet	Length: 3.85 Width: 1.88 Height: 0.00

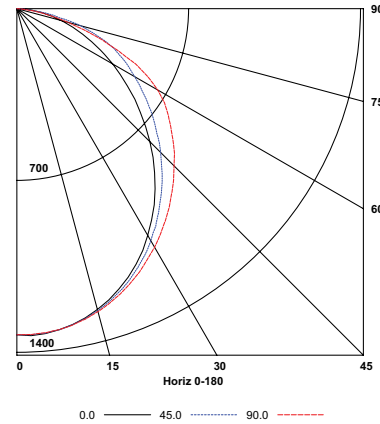
ZONAL LUMEN SUMMARY

Zone	Lumens	% Lamp	% Fixt.
0-30	1023	28.1	28.1
0-40	1656	45.6	45.6
0-60	2879	79.2	79.2
0-90	3635	100.0	100.0
0-180	3635	100.0	100.0

ENERGY DATA

Total Luminaire Efficiency	100.0%
Total Lumens per Watt	127
ANSI/IESNA RP-1-2004 COMPLIANCE	Noncompliant
Comparative Yearly Lighting Energy Cost per 1000 Lumens	\$1.92 based on 3000 hrs. and \$0.08 per KWH

INDOOR CANDELA PLOT



Test 14.00749 Test Date 11/13/2014

LUMINAIRE DATA

Luminaire	LEPC24-40MLG-LL-EDU LEPC Epc LED Full Distribution, Recessed Architectural 2 x 4 LED with frosted linear prisms lenses
Ballast	D10CC55UNVT-C
Ballast Factor	1.00
Lamp	LED
Fixture Lumens	4647
Watts	37.40
Shielding Angle	0° = 90 90° = 90
Spacing Criterion	0° = 1.19 90° = 1.25
Luminous Opening in Feet	Length: 3.85 Width: 1.88 Height: 0.00

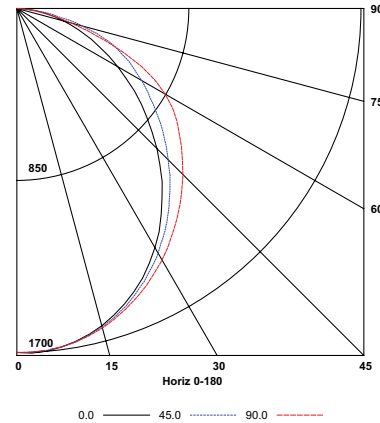
ZONAL LUMEN SUMMARY

Zone	Lumens	% Lamp	% Fixt.
0-30	1307	28.1	28.1
0-40	2117	45.6	45.6
0-60	3681	79.2	79.2
0-90	4647	100.0	100.0
0-180	4647	100.0	100.0

ENERGY DATA

Total Luminaire Efficiency	100.0%
Total Lumens per Watt	124
ANSI/IESNA RP-1-2004 COMPLIANCE	Noncompliant
Comparative Yearly Lighting Energy Cost per 1000 Lumens	\$1.90 based on 3000 hrs. and \$0.08 per KWH

INDOOR CANDELA PLOT



Test 14.00750 Test Date 11/13/2014

LUMINAIRE DATA

Luminaire	LEPC24-40HLG-LL-EDU LEPC Epc LED Full Distribution, Recessed Architectural 2 x 4 LED with frosted linear prisms lenses
Ballast	D10CC55UNVT-C
Ballast Factor	1.00
Lamp	LED
Fixture Lumens	5199
Watts	42.00
Shielding Angle	0° = 90 90° = 90
Spacing Criterion	0° = 1.19 90° = 1.25
Luminous Opening in Feet	Length: 3.85 Width: 1.88 Height: 0.00

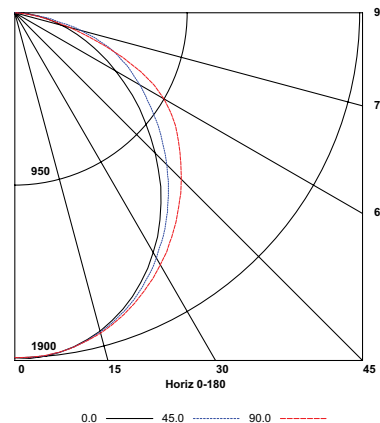
ZONAL LUMEN SUMMARY

Zone	Lumens	% Lamp	% Fixt.
0-30	1462	28.1	28.1
0-40	2368	45.6	45.6
0-60	4117	79.2	79.2
0-90	5199	100.0	100.0
0-180	5199	100.0	100.0

ENERGY DATA

Total Luminaire Efficiency	100.0%
Total Lumens per Watt	124
ANSI/IESNA RP-1-2004 COMPLIANCE	Noncompliant
Comparative Yearly Lighting Energy Cost per 1000 Lumens	\$1.94 based on 3000 hrs. and \$0.08 per KWH

INDOOR CANDELA PLOT



Albeo™ LED Luminaire

LED High Bay Lighting
(ABV3 - Series)



Project name _____

Date _____

Type **FHB-6**

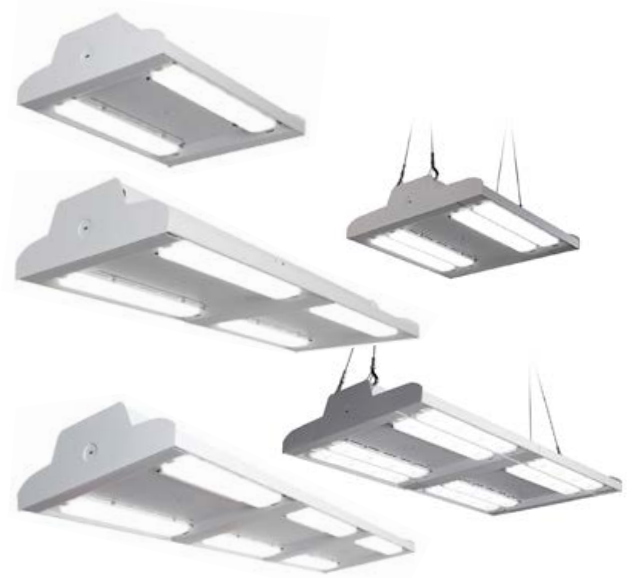
Product Description:

The Albeo™ ABV3 LED luminaire is an exceptional mixture of value and performance. Ideal for high bay and low bay applications in industrial and commercial buildings. Designed to replace 150W-1500W HID and four-to eight-lamp T5/T8 HIF fixtures with unmatched reliability and quality.

Performance Highlights:

Light Output Range: 6,500 – 60,000 lumens
CRI: 70 & 80 CRI (90CRI Refer to factory for lead-time)
CCT: 3000K, 3500K, 4000K, 5000K
Distributions: 120°, 90°, 55°, 30° diffused & clear lens options
Input Voltage: 120V-277V, 347V, & 480V
Efficiency: Up to 200 LPW
Fixture Rated: L70 @ 100,000 hours min. @ 55°C
Limited Warranty: 5 Years
Temperature Rating: -30°C to +55°C (-22°F to 131° F)
Controls & Sensors: 0-10V standard, Motion & daylight sensor options. Wireless ZigBee Daintree compliant options.

Product Images:

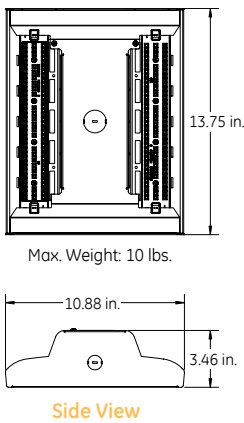


Certifications:

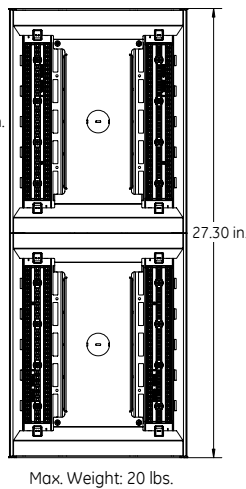


Product Dimensions:

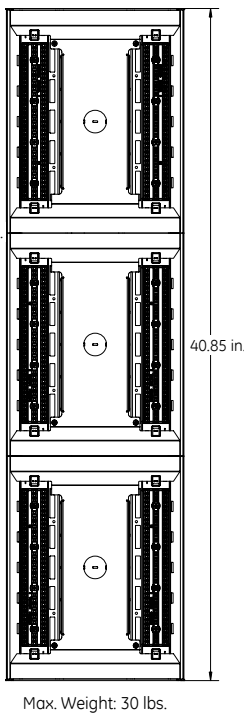
9T, 9H, 12T, 12H, 15T & 18T Output 1S-Module



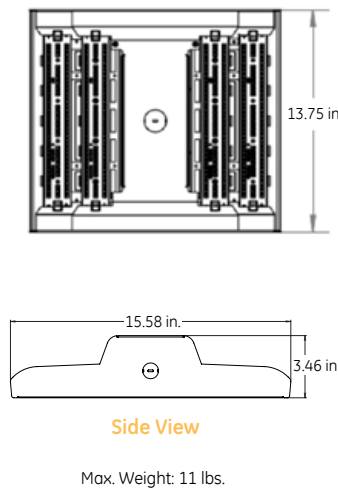
30T, 36T & 36H Output 2S-Module



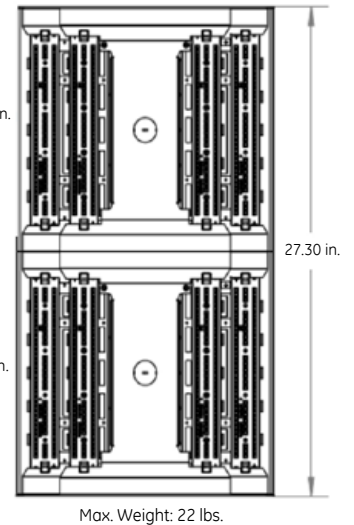
48T & 48H Output 3S-Module



18H, 24T, & 24H Output 1D-Module



60T & 60H Output 2D-Module



current
powered by GE



Ordering Number Logic

Industrial High Bay & Low Bay Lighting

(ABV3-Series)



Project name _____
 Date _____
 Type _____

ABV3

W

PRODUCT ID	VOLTAGE	LUMEN OUTPUT	PERFORMANCE LEVEL	LED COLOR TEMP	OPTICS/ LENS	SENSOR/ WIRELESS	CONTROL WIRING	MOUNTING	CORD	PLUG	FINISH	OPTIONS
ABV3 = Albeo Highbay ABV 3rd Gen	0 = 120/277 1 = 120* 2 = 208* 3 = 240* 4 = 277* 5 = 480* D = 347* *Specify single voltage if plug, sensor, or wireless needed.	09 = 9,000 12 = 12,000 15 = 15,000 18 = 18,000 24 = 24,000 30 = 30,000 36 = 36,000 48 = 48,000 60 = 60,000	T = Standard Efficiency H = High Performance	70 Plus CRI 47 = 4000K 57 = 5000K 80 Plus CRI 38 = 3000K C8 = 3500K 48 = 4000K 58 = 5000K 90 Plus CRI 49 = 4000K C9 = 3500K	Open Optic Max. Efficiency 10 = 120° No Lens 90 = 90° No Lens Clear Lens: Moderate Glare Reduction 1C = 120° Clear 9C = 90° Clear 5C = 55° Clear 3C = 30° Clear WC = Wide Parking Garage Optic Diffused Lens: Maximum Glare Reduction 1D = 120° Diffused 9D = 90° Diffused 5D = 55° Diffused 3D = 30° Diffused	Q = None A = Occ Sensor On/Off 360° LSXR B = Occ Sensor High-Low Dimming 360° LSXR P = Daylight Sensor w/ Occupancy On/Off LSXR Full Featured 2 = Motion Sensor w/Daylight, High-Low Dimming, and IR Remote Adjustable (IR remote sold separately to modify default settings) ZigBee Wireless Daintree™ 4 = ZigBee Wireless Daintree™ Enabled w/Motion Sensor T* = ZigBee Wireless Daintree™ Enabled (no sensor) *T Wireless Control (no sensor) must use Discrete Voltage for all Lumen packages over 24,000 Lumens	V = 0-10V Control Wires Q = None/ No External Control Wiring Note: V option not available with dimming and ZigBee sensors	ST = Standard 22 = 1/2" Threaded rod mount kit Rod and nuts not included SM = Surface Mount Hardware not included 23 = 3/4" Pendant Mount Kit 3/4" conduit not included 41 = Y-Cable/ Hook 5 ft. 42 = Y-Cable/ Hook 10 ft. 43 = Y-Cable/ Hook 15 ft. 44 = Y-Cable/ Hook 20 ft.	K = Knockout A = 6 ft. 18ga cord B = 12 ft. 18ga cord C = 15 ft. 18ga cord D = 20 ft. 18ga cord F = 10ft Reloc G = 15ft Reloc M = 3ft Plug & Go H = 10ft Plug & Go	Q = None A = 15A straight plug B = 20A straight plug C = 15A twist lock plug D = 20A twist lock plug S = Reloc OCS (use cord F or G) F = Plug & Go (use cord M or H)	W = White Powder Coat Blank = No Special Options 1PK = Single Pack for distributor stocking. Default is Job Pack. EL1 = 120° Battery Backup* EL5 = 50° Battery Backup* *Battery Backup not available for 347V/480V	

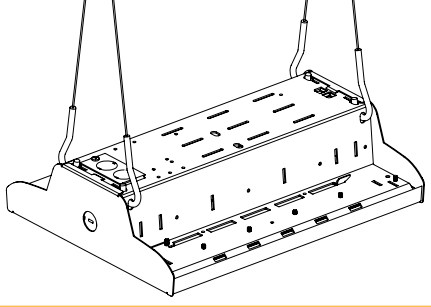
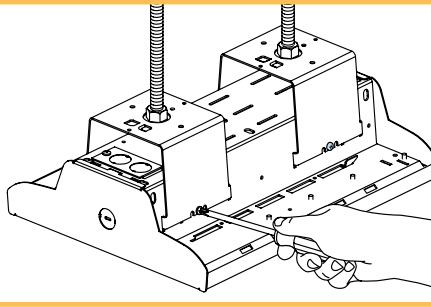
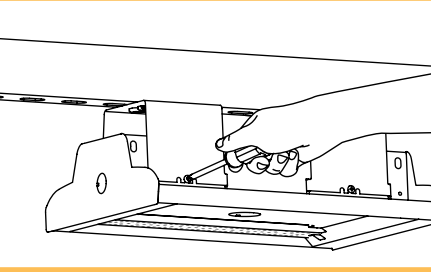
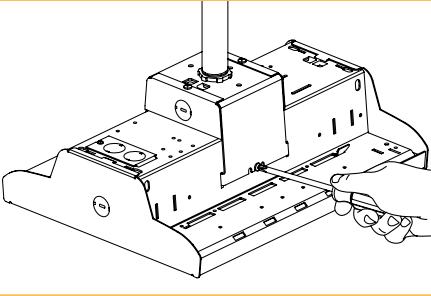
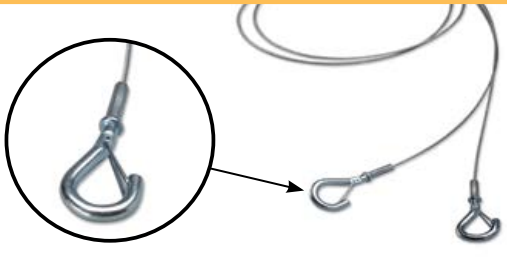
LUMEN PACKAGE	OUTPUT LEVEL	70 CRI @ 4000K OR 5000K CCT				MODULE BODY
		TYPICAL DELIVERED LUMENS	TYPICAL POWER		TYPICAL LPW 120-277V	
			120-277V	347/480V		
09	T	9,000	50	52	180	1S
09	H	9,000	46	48	196	1S
12	T	11,900	68	70	175	1S
12	H	11,900	61	63	195	1S
15	T	15,200	92	93	165	1S
18	T	17,600	109	110	161	1S
18	H	17,600	88	91	200	1D
24	T	23,400	137	139	171	1D
24	H	23,400	122	124	192	1D
30	T	30,400	184	185	165	2S
36	T	35,500	221	222	160	2S
36	H	35,500	190	194	187	2S
48	T	47,400	284	291	167	3S
48	H	47,400	248	257	191	3S
60	T*	58,500	360	367	163	2D
60	H	58,500	314	323	186	2D

CRI	CCT	T OUTPUT	H OUTPUT
70	5000K	100%	100%
	4000K	100%	100%
80	5000K	95%	98%
	4000K	92%	92%
	3500K	90%	92%
90	3000K	87%	92%
	4000K	81%	79%

OPTIC CODE	OPTIC DESCRIPTION	OUTPUT
1Q	120° No Lens	100%
9Q	90° No Lens	98%
1C	120° Clear Lens	98%
9C	90° Clear Lens	96%
5C	55° Clear Lens	96%
3C	30° Clear Lens	97%
1D	120° Diffused Lens	93%
9D	90° Diffused Lens	91%
5D	55° Diffused Lens	92%
3D	30° Diffused Lens	95%

*All packages are 55°C rated with the exception of 60T which is 45°C ambient max rated

Mounting & Accessories

MOUNTING OPTIONS	IMAGE	ORDER LOGIC CODE	AFTER MARKET ORDER LOGIC
<p>Standard Chain/Cable Mount Available on all fixture configurations (chain not included). Y-Cable w/hook can be ordered as an accessory.</p>		<p>ST = Standard</p>	<p>Aftermarket: NA</p>
<p>Rod Mount (optional) Available on all fixture configurations. Attaches to 1/2" threaded rod (rod and nuts not included).</p>		<p>22 = 1/2" Threaded Rod Kit</p>	
<p>Surface Mount (optional) Available on all fixture configurations. Attaches to structural member in ceiling. (Hardware not included.)</p>		<p>SM = Surface Mount 22 = 1/2" Threaded Rod Kit</p>	<p>SKU: 93076576 Description: 1/2", 3/4" & Surface all-in-one Mounting Kit (Includes SM, 22, & 23 mounting kits as shown)</p>
<p>Pendant Mount (optional) Available on all fixture configurations. Attaches to 3/4" threaded conduit (conduit not included).</p>		<p>23 = 3/4" Pendant Mount Kit 22 = 1/2" Threaded Rod Kit</p>	
<p>Y-Cable w/hook (optional) Use with Standard Mounting Option only. Order separately. Price adder per pair: 5 ft., 10 ft., 15 ft., 20 ft. lengths available.</p>			<p>41 Y-Cable/Hook (5') 93075756 42 Y-Cable/Hook (10') 93075552 43 Y-Cable/Hook (15') 93075553 44 Y-Cable/Hook (20') 93075554 "NA" Y-Cable/Hook (25') 93075555 Max Load: 200 lbs. per pair</p>

Chain/cable mount is standard and included in price. Price adder for Y-Cable, Rod Mount, and Pendant Mount. Consult Sales for latest information. See "Installation Instructions" for mounting details.

Accessories & Renewal Parts

Replacement Lenses & Optics



ORDERING SKU	ORDERING CAT# LOGIC	FIXTURE CAT# LOGIC	DESCRIPTION
93075866	ABV3 D Kit	1D or 9D	Diffused Lens Only (2 lenses)
93075867	ABV3 C Kit	1C or 9C	Clear Lens Only (2 lenses)
93075988	ABV3 9 Kit	9C or 9D	90 degree Optic (2 reflectors)
93075989	ABV3 1 Kit	1C or 1D	120 degree Optic (2 reflectors)
93075990	ABV3 5D Kit	5D	Diffused 55 degree Lens (2 lenses)
93075991	ABV3 5C Kit	5C	Clear 55 degree Lens (2 lenses)
93075992	ABV3 3D Kit	3D	Diffused 30 degree Lens (2 lenses)
93075993	ABV3 3C Kit	3C	Clear 30 degree Lens (2 lenses)

Sensors & Sensor Accessories



ORDERING SKU	ORDERING CAT# LOGIC	FIXTURE CAT# LOGIC	DESCRIPTION
93076263	Wattstopper Configuration Tool	2Q Sensor Code	Programmer for Sensor Code 2Q Wattstopper FSP211

Wire Guards



ORDERING SKU	ORDERING CAT# LOGIC	LUMEN PACKAGES	DESCRIPTION
93077600	WG ABV3 1S WT	9T, 9H, 12A, 12T, 12H, 15T, 18A, 18T, 24A	1S Wire Guard White Painted
93077666	WG ABV3 1D WT	18H, 24T, 24H	1D Wire Guard White Painted
93077602	WG ABV3 2S WT	30T, 36T, 36H, 48A	2S Wire Guard White Painted
93077604	WG ABV3 3S WT	48T, 48H	3S Wire Guard White Painted
93077668	WG ABV3 2D WT	60T, 60H	2D Wire Guard White Painted

Wire Guards must be ordered in packs of 5 each

Albeo™ LED Luminaire

LED High Bay Lighting
(ABV3 - Series)



Project name _____

Date _____

Type _____

LED & Optical Assembly

CRI: 70 & 80 Standard (90 contact factory for lead-time)

Fixture Rated Life: L70 @ 100,000 hrs @ 55C

Fixtures are certified to depreciate no more than 30% at the maximum ambient temperature conditions.

TM-21 Calculation at 25°C: L70 @ 250,000 hrs minimum

L90 @ 65,000 hrs minimum

Distribution/Lenses:

90, 120 degrees no lens standard (most efficient)

30, 55, 90, 120 degrees w/clear lens optional

30, 55, 90, 120 degrees w/diffused lens optional

Wire Guard Option – for added fixture protection. Ships separately for ease of fixture install. Easily field installable.

Electrical

Input Voltage: 120-277V, 347V or 480V

Input Frequency: 50/60Hz

System Power Factor (PF): >0.9*

Total Harmonic Distortion (THD): <20%*

LED Driver Type: Class 1, 3kV surge protection

EMI: FCC CFR Title 47 Part 15, Class A

* PF and THD may vary with options

Ratings & Evaluations

Operating Temperature: -30°C to +55°C (-22°F to 131° F).

Storage Temperature: -40°C to +70°C

Surge Protection: 3kV driver surge protection

Location: UL 1598 Suitable for Damp Locations

Safety: UL/cUL Listed 

Environmental: RoHS compliant

Utility: DLC Premium on all 70CRI options & select 80CRI options. DLC Premium on all H Output options.

Meets DLC Standard on all CRI versions

Please refer to:

<http://www.designlights.org/QPL>
for complete information.



Construction & Finish

Housing: Combination steel and aluminum

Lensing: Polycarbonate diffused, acrylic clear

Reflector: White highly reflective polycarbonate

Paint: Powercoat Painted Housing

No glass in housing or lenses

Weight: 10-11 lbs. per module (see dimensional drawings)

Controls

Standard Dimming: 0-10VDC

Minimum Dimming: Dim down to 10%

Wireless Networking & Sensing:

ZigBee Wireless Daintree with Occ Sensor – Sensor 4

ZigBee Wireless Daintree with No Sensor – Sensor T

Enlighted Sensor – Sensor 5

Wattstopper FSP Series Motion + daylight + IR config (IR remote sold separately) – Sensor 2

Wattstopper FSP remote = SKU# 93076263

Sensor Switch LSX LSXR Series - Sensor A, B, P, or S

Mounting

Typical Mounting: Standard Chain/Cable mount ready Threaded rod kit, ¾" pendant mount kit, and surface mount optional.

Cord & Plugs:

Standard = knockout access (no cord, no plug)

6ft, 12ft, 15ft, 20ft Cord options

15A, 20A, Straight or twist lock plug – Plug A,B,C, or D

Reloc OCS Cord and Plug – Cord-Plug FS or GS

PlugNGo Plug - Cord-plug MF or HF

Accessories, Options & Packaging

Optional Emergency Battery: Provides 90-minutes of Emergency lighting. Design lumen output: 1650-1750lm. Fully independent LED system that does not degrade performance or ratings of the fixture. 120-277V Only Ships separately from fixture to avoid shipping damage.

Standalone EMBB: Order as field installed aftermarket or standalone solution for emergency Lighting. 2lbs SKU# 93059499 - ASM2430 50° beam 1750lm SKU# 93059500 - ASM2429 120° beam 1650lm

Packaging: standard pack is job pack / bulk pack consisting of 7-21 fixtures in a half Gaylord box. Fixtures are sleeve wrapped within the bulk box for quick unload at jobsite. Orders of <14 fixtures are typically single pack. Single Pack (i.e. for stocking) – Option 1PK

Design Life & Warranty

- **Reliability Testing:** Fixture components designed to exceed 100,000 hrs of operation at the worst possible rated conditions. Complete system evaluated at extreme conditions and monitored during production.
- **System Warranty:** 5 Year

current
powered by GE

All trademarks are the property of their respective owners. Information provided is subject to change without notice. All values are design or typical values when measured under laboratory conditions. Current, powered by GE is a business of the General Electric Company.
© 2019 GE.



FEATURES & SPECIFICATIONS

INTENDED USE — Built on the compact, low-profile Z strip channel, this LED strip offers long maintenance-free life, several color temperatures, lumen outputs and lengths. Ideal for new construction and retrofit applications in T8 lengths. Ideal for use in commercial, retail, manufacturing, warehouse, and display applications. **Certain airborne contaminants can diminish the integrity of acrylic and/or polycarbonate. [Click here for Acrylic-Polycarbonate Compatibility table for suitable uses.](#)**

CONSTRUCTION — Compact-design channel and cover are formed from code-gauge cold-rolled steel. Easy to install six-point row aligner included for continuous row mounting.

Finish: Paint options include high-gloss, baked white enamel (WH), or matte black (MB). After fabrication, five-stage iron phosphate pre-treatment ensures superior paint adhesion and rust resistance.

OPTICS — Standard diffuse snap on/snap off lens eliminates pixels, improves uniformity and minimizes glare.

ELECTRICAL — Utilizes high-output LEDs integrated on a two-layer circuit board, ensuring cool-running operation. Optional internal pluggable wiring harness for reduced labor cost in row mounting applications (see PLR_ordering information on page 3). Electronic LED driver is rated for 75 input watts maximum (see Operational Data on page two for actual wattage consumption), **multi-volt input and 0-10V dimming standard.** This fixture is designed to withstand a maximum line surge of 2.5kV at 0.75kA combination wave for indoor locations, for applications requiring higher level of protection additional surge protection must be provided.

LEDs provide 80CRI or 90 CRI at 3000 K, 3500 K, 4000 K or 5000 K.

Lumen output up to 1,500 lumens per foot. Luminaire should be installed in applications where ambient temperatures do not exceed 86 °F (30 °C).

INSTALLATION — Fixture may be surface mounted (with or without ZSPRG hanger), pendant or stem mounted with appropriate mounting options. Six-point aligner locks in place for easy continuous row mounting.

LISTINGS — CSA certified to US and Canadian safety standards. For use in damp locations between -40 °F (-40 °C) and 86 °F (30 °C).

DesignLights Consortium® (DLC) qualified product. Not all versions of this product may be DLC qualified. Please check the DLC Qualified Products List at www.designlights.org/QPL to confirm which versions are qualified.

WARRANTY — 5-year limited warranty. Complete warranty terms located at: www.acuitybrands.com/resources/terms-and-conditions

Note: Actual performance may differ as a result of end-user environment and application.

All values are design or typical values, measured under laboratory conditions at 25 °C.

Specifications subject to change without notice.

Catalog Number
Notes
Type



LED Striplight

ZL1D

24", 48" and 96" Lengths



A+ Capable Luminaire

This item is an A+ capable luminaire, which has been designed and tested to provide consistent color appearance and out-of-the-box control compatibility with simple commissioning.

- All configurations of this luminaire meet the Acuity Brands' specification for chromatic consistency
- This luminaire is part of an A+ Certified solution for nLight® or XPoint™ Wireless control networks marked by a shaded background*

To learn more about A+, visit www.acuitybrands.com/aplus.

*See ordering tree for details

ZL1D LED Striplight



A+ Capable options indicated by this color background.

ORDERING INFORMATION

Lead times will vary depending on options selected. Consult with your sales representative.

Example: ZL1D L48 3000LM FST MVOLT 40K 80CRI WH

Series	Length	Reflectors ¹	Nominal lumens ²	Diffuser	Voltage	Color temperature
ZL1D LED striplight	L24 24"	(blank) Less reflector	1500LM 1,500 lumens	FST Drop lens	MVOLT 120-277V	30K 3000 K
		SMR Symmetric	2500LM 2,500 lumens		120 120V	35K 3500 K
			3500LM 3,500 lumens		208 208V	40K 4000 K
	L48 48"	(blank) Less reflector	3000LM 3,000 lumens		240 240V	50K 5000 K
		ASR Asymmetric	5000LM 5,000 lumens		277 277V	
	SMR Symmetric	7000LM 7,000 lumens	347 347V ³			
TZL1D LED striplight	L96 96"	(blank) Less reflector	6000LM 6,000 lumens		480 480V ³	
		SMR Symmetric	10000LM 10,000 lumens			
			14000LM 14,000 lumens			

Color rendering index	Options	Paint finish
80CRI 80 CRI	PLR__ Plug-in wiring ^{4,5}	WH White
90CRI 90 CRI	PLR1LVG Plug-in wiring-low voltage ^{4,5}	MB Matte black
	E7W Emergency battery pack, 7W CA Title 20 Noncompliant ^{6,7}	GALVB Galvanized fixture with black plastic lens endcaps
	2E7W Two Emergency battery packs, 7W CA Title 20 Noncompliant ^{6,7,8}	GALVW Galvanized fixture with white plastic lens endcaps
	E10WLCP Emergency battery pack, 10W Linear Constant Power, Certified in CA Title 20 MAEDBS ^{6,7}	
	2E10WLCP Two Emergency battery packs, 10W Linear Constant Power, Certified in CA Title 20 MAEDBS ^{6,7,8}	
	E15WLCP Emergency battery pack, 15W Linear Constant Power, Certified in CA Title 20 MAEDBS ^{6,7,8}	
	OUTEND Cord set to exit endplate of fixture	
	LBOZU 360° low mount motion sensor, pre-wired ⁹	
	LBHOSZU 360° low mount motion sensor with dimming, pre-wired ⁹	
	LBPZU 360° low mount motion sensor with photocell, pre-wired ⁹	
	LBMSZU 360° low mount motion sensor, dimming & switching photocell, pre-wired ⁹	
	Cord sets: ¹⁰	
	CS1W Straight plug, 120V	
	CS3W Twist-lock, 120V	
	CS7W Straight plug, 277V	
	CS11W Twist-lock, 277V	
	CS25W Twist-lock, 347V	
	CS97W Twist-lock, 480V	
	CS93W 600V SE00W white cord, no plug (no voltage required)	

Accessories: Order as separate catalog number.			
HC36	Hanger chain, 36"	ZLR L24 SYM WH	24" symmetric reflector, white finish
ZACVH	Aircraft cable 10' (one pair)	ZLR L46 SYM UPL WH	46" symmetric reflector with uplight, white finish
ZLANGBKT	Luma-tilt™ angle bracket for shelf or ledge mounting only	ZLR L46 SYM WH	46" symmetric reflector, white finish
SQ__	Stem kit, 2" increments up to 48"	ZLR L48 ASY WH	48" asymmetric reflector, white finish
NPP16D	nLight® switching/dimming module	ZLR L48 SYM UPL WH	48" symmetric reflector with uplight, white finish
rPP20D	nLight® Air switching/dimming module	ZLR L48 SYM WH	48" symmetric reflector, white finish
LSXR	Sensor Switch® LSXR occupancy sensor ⁴	ZLR L92 SYM UPL WH	92" symmetric reflector with uplight, white finish
ZSPRG	For 15/16" T-grid only	ZLR L92 SYM WH	92" symmetric reflector, white finish
WGZ24	24" wireguard, white ¹¹	ZLR L96 SYM UPL WH	96" symmetric reflector with uplight, white finish
WGZ48	48" wireguard, white ^{11,12}	ZLR L96 SYM WH	96" symmetric reflector, white finish
ZLR L24 SYM UPL WH	24" symmetric reflector with uplight, white finish	UNIVERSAL REFL ALIGNER	Universal reflector aligners, quantity 1

Notes

- Optional. Reflectors ship separately.
- See Operational Data on page 2 for actual lumens.
- Not available with L24, 24" fixture. 347V and 480V utilize a step-down transformer.
- See ordering information on page 5. When choosing sensor options and and PLR configuration, contact factory representative.
- Not available with cordsets.
- Not available with L24, 24" fixture. See spec sheet PS1055LCP, PS1555LCP and PS750L for more information. Emergency battery backup only available from -4 °F (-20 °C) to 86 °F (30 °C)
- Must specify voltage. 120, 208, 240 or 277V.
- Only available with the 10,000LM and 14,000LM fixtures.
- Voltage must be specified. This sensor configuration is suitable for minimum ambient temperature of 14°F (-10°C). See page 6 for low temperature option providing -4°F (-20°C) minimum ambient. Sensors come prewired, they must be snapped into place at time of installation.
- Cordsets exit back of fixture unless OUTEND option is specified. Must specify voltage (not required when ordering CS93W).
- Not compatible with reflector.
- Order 2 for tandem double length fixtures (TZL1D).

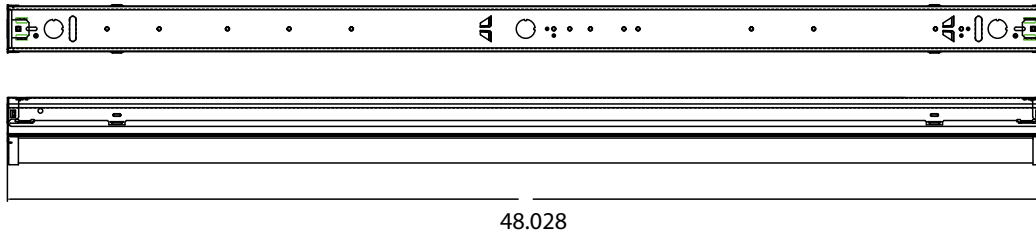
ZL1D LED Striplight

OPERATIONAL DATA												
	Nominal lumen package	Length (inches)	Delivered Lumens 3000 K CCT @ 77°F (25°C) ambient temperature		Delivered Lumens 3500 K CCT @ 77°F (25°C) ambient temperature		Delivered Lumens 4000 K CCT @ 77°F (25°C) ambient temperature		Delivered Lumens 5000 K CCT @ 77°F (25°C) ambient temperature		Wattage @ 120V/277V	Comparable Light Source
			80 CRI	90 CRI	80 CRI	90 CRI	80 CRI	90 CRI	80 CRI	90 CRI		
Lensed	1500LM	24	1985	1619	2030	1675	2061	1707	2137	1745	17	1-lamp 17W T8
	2500LM	24	2682	2187	2742	2264	2785	2307	2887	2358	22	1-lamp 17W T8
	3500LM	24	4099	3341	4190	3459	4255	3524	4412	3603	36	1-lamp 32W T8, 1-lamp 54W T5H0, 50W HID
	3000LM	48	3880	3163	3966	3274	4028	3336	4176	3410	30	1-lamp 32W T8, 1-lamp 54W T5H0, 50W HID
	5000LM	48	5337	4351	5456	4504	5541	4589	5745	4691	41	2-lamp 32W T8, 1-lamp 54W T5H0, 70W HID
	7000LM	48	7317	5965	7480	6175	7596	6291	7876	6431	59	3-lamp 32W T8, 2-lamp 54W T5H0, 100W HID
	6000LM	96	8077	6585	8257	6816	8386	6945	8694	7099	60	3-lamp 32W T8, 2-lamp 54W T5H0, 100W HID
	10000LM	96	11021	8985	11267	9301	11442	9477	11864	9687	81	4-lamp 32W T8, 2-lamp 54W T5H0, 100W HID
	14000LM	96	15397	12553	15741	12995	15986	13240	16574	13534	121	4-lamp 32W T8, 3-lamp 54W T5H0, 150W HID

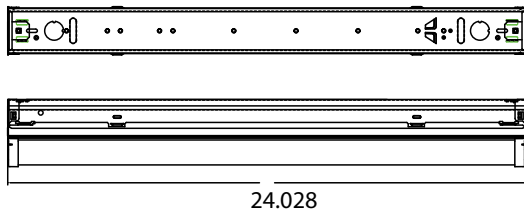
DIMENSIONS

All dimensions are shown in inches (centimeters) unless otherwise noted.
Specifications subject to change without notice.

PALLET DIMENSIONS			
Length	Approximate weight	Fixtures per pallet	Approximate pallet dimensions (L x W x H)
L24	7 lbs.	176	46" X 51" X 31 5/8"
L48	13 lbs.	176	46" X 51" X 31 5/8"
L96	26 lbs.	63	46" X 98 1/2" X 31 3/8"



ZL1D L48



Knockout hole is .86in in diameter.

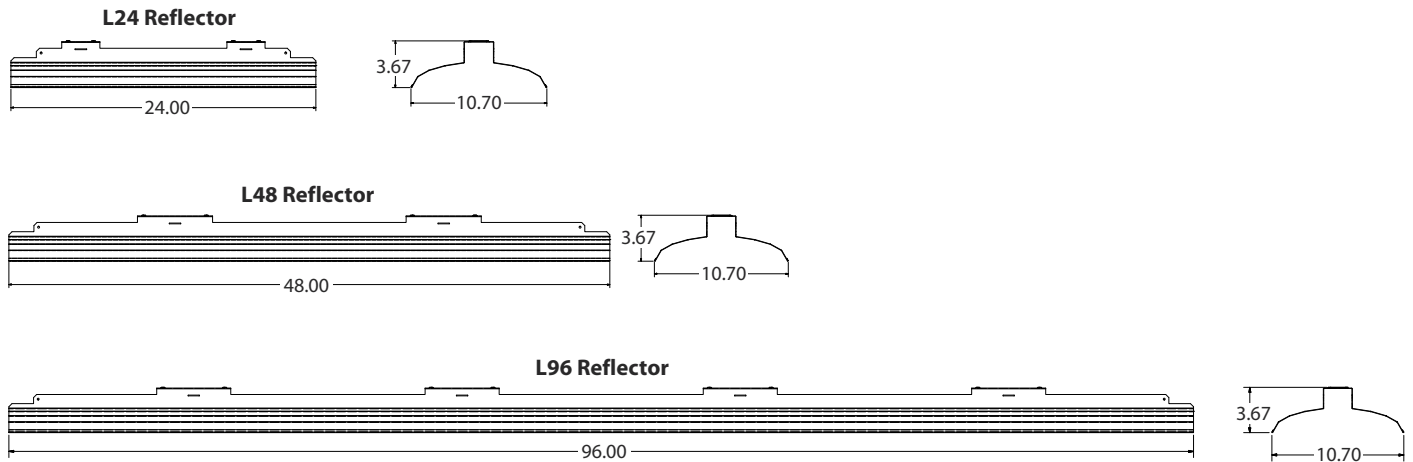
ZL1D L24

Mounting Hole Location - All Lengths



ZL1D LED Striplight

REFLECTORS (Optional)



PHOTOMETRICS

Please see www.lithonia.com

PRODUCT INFORMATION

Advanced plug-in system with two-circuit capability. Available on industrial and strip products and a variety of architectural products mounted in continuous rows. 1, 2, 3 and 4-lamp fixtures. PLR22 (2-circuit) and crossover harness switches hot circuit serving next fixture in row. Reduces fixture types on job for alternating circuit applications (see example below.)

Easy one-step installation, saves up to 35% on labor costs. Expanded switching flexibility helps save energy.

Rows can be 50% longer with two-circuit systems. Polarized, lock-together nylon connectors prevent miswiring in the field. #12 THHN conductor, rated 600V, 90°C. White neutral wire included. Grounding accomplished by fixture in-row connectors.

CSA certified systems available with up to 2 circuits. G ground required.

Note: Specifications subject to change without notice.



Wiring

PLR

Advanced 1 or 2-Circuit Plug-In

ORDERING INFORMATION

Lead times will vary depending on options selected. Consult with your sales representative.

Series	Number of hot wires	Branch circuits	Dimming	Ground
PLR	(blank) Not required for 22	<u>Circuits to which ballast is connected</u>	LV Low-voltage dimming	G Ground, required
PLR22	1 Black	(blank) Not required for 22		
	2 Black and red	A Black wire		
		B Red wire		
		<u>Emergency circuit connected</u>		
		(blank) No emergency circuit		
		ELA Emergency circuit wired to black wire		
		ELB Emergency circuit wired to red wire		

Typical Applications

- Multiple-circuit and single-circuit for longer continuous rows
- Multiple-circuit with alternating fixtures on separate circuits and 2-circuit (PLR 22)
- Multiple circuit with night-lights located along row as desired

ZL1D LED Striplight

LSXR — Fixture Mount Occupancy Sensor (see www.AcuityControls.com for additional information)

- Three interchangeable lens options to satisfy multiple mounting heights and coverage pattern requirements.
- Integrated mounting bracket drops lens down 3" from chase nipple.
- Single or dual relay versions — designed with robust protection from the harsh switching requirements of T5 and LED loads.
- Photocell and 0-10VDC dimming options.
- No PIR field calibration or sensitivity adjustments required.
- Sensor ambient temperature rating of 14°F (-10°C) to 131°F (55°C).

LSXR configuration	Comparable CMRB sensor	Old style sensor nomenclature
For shortest lead times use one of the following LSXR configurations		
LCOZU	CMRB 50	MSI
LCH0SZU	CMRB 50 D	MSID
LCPZU	CMRB 50 P	MSIPED
LAOZU	CMRB 6	MSI360
LAH0SZU	CMRB 6 D	MSI360D
LAPZU	CMRB 6 P	MSI360PED

SELECTIONS BELOW WILL EXTEND ORDER LEAD TIME. CONSULT YOUR SALES REPRESENTATIVE FOR DETAILS.

SINGLE RELAY

ORDERING INFORMATION

Example: LAH0SZU

Series	Lens option	Dimming/Photocell	Max. dim level	Min. dim level	Temp/Humidity	Default occupancy time delay		
L LSXR passive infrared indoor occupancy sensor	A High mount, 360°	O None ¹	0 10VDC	S Minimum dim level of ballast	Z None T Low temperature ²	I 30 sec		
		H High/low occupancy operation	9 9VDC			D 2.5 min		
	B Low mount, 360°	P Switching photocell (on/off) ¹	8 8VDC			1 1VDC	X 5.0 min	
		C High mount aisleway	M Dimming and switching photocell			7 7VDC	2 2VDC	R 7.5 min
			G Dimming and switching photocell with high/low occupancy operation				3 3VDC	U 10.0 min (with minimum 15 minute on time)
						4 4VDC	V 15.0 min	
						5 5VDC	W 20.0 min	
			6 6VDC	Y 30.0 min				

Notes

- 1 Max and min dim levels not applicable with this option.
- 2 Ambient temperature rating of -4°F (-20°C) to 131°F (55°C).

DUAL RELAY (Available with 120, 277, and 347V only)

ORDERING INFORMATION

Example: LA2KZU

Series	Lens option	Poles	Operating mode	Temp/Humidity	Default occupancy time delay
L LSXR passive infrared indoor occupancy sensor	A High mount, 360° B Low mount, 360° C High mount aisleway	2 Dual relay	J None	Z None T Low temperature ¹	I 30 sec
			K Alternating off relays (promotes even lamp wear)		D 2.5 min
			O Alternating off relays w/photocell		X 5.0 min
			P Switching photocell(on/off)		R 7.5 min
			E Photocell on/off (pole 1 only)		U 10.0 min (with minimum 15 minute on time)
			F Photocell on/off - both poles (dual set-point)		V 15.0 min
				W 20.0 min	
				Y 30.0 min	

Notes

- 1 Ambient temperature rating of -4°F (-20°C) to 131°F (55°C).

Example: LENS 50 J100

Replacement lenses: Order as separate catalog number.		
Series	Lens type	Package quantity
LENS	6 High mount 360°	[blank] Single Lens
	10 Low mount 360°	J10 10-pack
	50 High mount aisleway	J100 100-pack

PRODUCT INFORMATION

A standard occupancy time delay is also present to ensure lights turn off (once minimum on timer has also elapsed) if no occupancy is detected.

This timer is factory set at 10 minutes to promote energy savings, but is adjustable between 30 seconds and 30 minutes. These adjustments may be done through the unit's push-button.

FEATURES

- Four interchangeable lenses - high mount 360°, low mount 360°, high mount aisleway, and small motion 360°.
- Integrated mounting bracket drops lens down 3" from chase nipple - no bracket accessory required.
- 100% digital PIR detection - provides excellent RF immunity

Note: Specifications subject to change without notice.

Passive Infrared Indoor Occupancy Sensor



LSXR

Single Relay



ORDERING INFORMATION Lead times will vary depending on options selected. Consult with your sales representative.

Example: LSXR 10 ADC HVOLT 30M

LSXR		Lens option				Dimming/photocell			
Series	Passive Infrared Indoor Occupancy Sensor	(blank)	No lens	610	High and low mount 360°	(blank)	None		
		6	High mount, 360°	650	High mount 360° and aisleway	HL	High/low occupancy operation		
		10	Low mount, 360°	3PK	High and low mount 360° and aisleway	P	Switching photocell (on/off)		
		50	High mount aisleway	4PK	All lenses	ADC	Dimming and switching photocell		
		9	Small motion, 360°			ANL	Dimming and switching photocell with high/low occupancy operation		
Voltage	Max dim level	Min dim level		Lead length		Temp humidity		Default time delay	
(blank) 120-277 VAC (MVOLT)	(blank) 10 VDC	(blank)	Minimum dimming level of ballast	(blank)	14"	(blank)	None	(blank)	10 minutes (with minimum 15 minutes on time)
HVOLT 347-480 VAC	9H 9 VDC	1V	1 VDC	42L	42"	LT	Low temperature	5M	5 minutes (LED only)
	8H 8 VDC	2V	2 VDC					15M	15 minutes
	7H 7 VDC	3V	3 VDC					20M	20 minutes
		4V	4 VDC					30M	30 minutes
		5V	5 VDC						
		6V	6 VDC						

For additional information see www.lithonia.com

OPTIONS AND ACCESSORIE

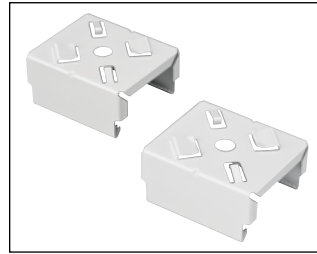
The Z Series fixture offers numerous options for almost every electrical and optical component, including a long list of field-installable accessories.



HANGER CHAIN

36" chain with Y hanger.

Order as:
HC36



Z SPRING HANGER

Snap 'n' lock design requires no fasteners and can be used on T-grid ceiling or universal mounting systems.

Order as:
ZSPRG



ZACVH HANGER

10' Aircraft cable with Y hanger.

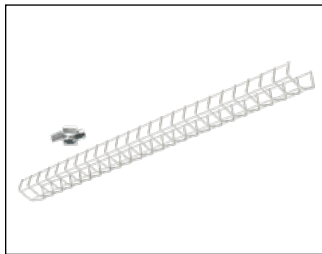
Order as:
ZACVH



ANGLE MOUNTING BRACKET

Luma-tilt™ angle bracket ships as a pair

Order as:
ZLANGBKT



WIRE GUARD

Order as:
WGZ24
WGZ48

D-Series Size 2 LED Wall Luminaire



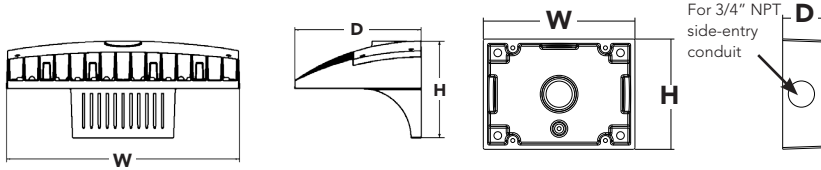
d^{series}

Specifications Luminaire

Width: 18-1/2" (47.0 cm) **Weight:** 21 lbs (9.5 kg)
Depth: 10" (25.4 cm)
Height: 7-5/8" (19.4 cm)

Back Box (BBW)

Width: 5-1/2" (14.0 cm) **BBW Weight:** 1 lbs (0.5 kg)
Depth: 1-1/2" (3.8 cm)
Height: 4" (10.2 cm)



Catalog Number
Notes
Type

Hit the Tab key or mouse over the page to see all interactive elements.

A+ Capable Luminaire

This item is an A+ capable luminaire, which has been designed and tested to provide consistent color appearance and system-level interoperability.

- All configurations of this luminaire meet the Acuity Brands' specification for chromatic consistency
- This luminaire is A+ Certified when ordered with DTL[®] controls marked by a shaded background. DTL DLL equipped luminaires meet the A+ specification for luminaire to photocontrol interoperability¹
- This luminaire is part of an A+ Certified solution for ROAM[®]2 or XPoint[™] Wireless control networks, providing out-of-the-box control compatibility with simple commissioning, when ordered with drivers and control options marked by a shaded background¹

To learn more about A+, visit www.acuitybrands.com/aplus.

- See ordering tree for details.
- A+ Certified Solutions for ROAM require the order of one ROAM node per luminaire. Sold Separately: [Link to Roam](#); [Link to DTL DLL](#)

A+ Capable options indicated by this color background.

Ordering Information

EXAMPLE: DSXW2 LED 30C 700 40K T3M MVOLT DDBTXD

DSXW2 LED	Series	LEDs	Drive Current	Color temperature	Distribution	Voltage	Mounting	Control Options
	DSXW2 LED	20C 20 LEDs (two engines) 30C 30 LEDs (three engines)	350 350 mA 530 530 mA 700 700 mA 1000 1000 mA (1 A)	30K 3000 K 40K 4000 K 50K 5000 K AMBPC Amber phosphor converted	T2S Type II Short T2M Type II Medium T3S Type III Short T3M Type III Medium T4M Type IV Medium TFTM Forward Throw Medium ASYDF Asymmetric diffuse	MVOLT 120 ¹ 208 ¹ 240 ¹ 277 ¹ 347 ² 480 ²	Shipped included (blank) Surface mounting bracket Shipped separately³ BBW Surface-mounted back box (for conduit entry)	Shipped installed PE Photoelectric cell, button type ⁴ PER NEMA twist-lock receptacle only (no controls) DMG 0-10V dimming driver (no controls) DCR Dimmable and controllable via ROAM [®] (no controls) ⁵ PIRH 180° motion/ambient light sensor, 15-30' mtg ht ⁶ PIRH1FC3V Motion/ambient sensor, 8-15' mounting height, ambient sensor enabled at 1fc ² PIRH1FC3V Motion/ambient sensor, 15-30' mounting height, ambient sensor enabled at 1fc ²

Other Options

Shipped installed	Shipped separately ⁹
SF Single fuse (120, 277, 347V) ⁸	BSW Bird-deterrent spikes
DF Double fuse (208, 240, 480V) ⁸	WG Wire guard
HS House-side shield ³	VG Vandal guard
SPD Separate surge protection ⁹	

Finish (required)

DDBXD Dark bronze	DSSXD Sandstone	DWHGXD Textured white
DBLXD Black	DDBTXD Textured dark bronze	DSSTXD Textured sandstone
DNAXD Natural aluminum	DBLXD Textured black	
DWHXD White	DNATXD Textured natural aluminum	



Ordering Information

Accessories

Ordered and shipped separately.

DLL127F 1.5 JU	Photozell - SSL twist-lock (120-277V) ¹⁰
DLL347F 1.5 CULJU	Photozell - SSL twist-lock (347V) ¹⁰
DLL480F 1.5 CULJU	Photozell - SSL twist-lock (480V) ¹⁰
DSHORT SBK U	Shorting cap ¹⁰
DSXWHS U	House-side shield (one per light engine)
DSXWBSW U	Bird-deterrent spikes
DSXW2WG U	Wire guard accessory
DSXW2VG U	Vandal guard accessory
DSXW2BBW	Back box accessory
DD8XD U	(specify finish)

For more control options, visit [DTL](#) and [ROAM](#) online.

NOTES

- MVOLT driver operates on any line voltage from 120-277V (50/60 Hz). Specify 120, 208, 240 or 277 options only when ordering with fusing (SF, DF options), or photocontrol (PE option).
- Available with 30 LED/700mA options only (DSXW2 LED 30C 700). DMG option not available.
- Also available as a separate accessory; see Accessories information.
- Photocontrol (PE) requires 120, 208, 240 or 347 voltage option. Not available with motion/ambient light sensors (PIR or PIRH).
- Specifies a ROAM® enabled luminaire with 0-10V dimming capability; PER option required. Not available with 347V, 480V or PIRH. Additional hardware and services required for ROAM® deployment; must be purchased separately. Call 1-800-442-6745 or email: sales@roomservices.net.
- Specifies the [Sensor Switch SBGR-6-ODP](#) control; see [Outdoor Control Technical Guide](#) for details. Includes ambient light sensor. Not available with "PE" option (button type photocell) or DCR. Dimming driver standard.
- PIR and PIR1FC3V specify the [SensorSwitch SBGR-10-ODP](#) control; PIRH and PIRH1FC3V specify the [SensorSwitch SBGR-6-ODP](#) control; see [Motion Sensor Guide](#) for details. Dimming driver standard. Not available with PER5 or PER7. Ambient sensor disabled when ordered with DCR. Separate on/off required.
- Single fuse (SF) requires 120, 277 or 347 voltage option. Double fuse (DF) requires 208, 240 or 480 voltage option.
- See the electrical section on page 2 for more details.
- Requires luminaire to be specified with PER option. Ordered and shipped as a separate line item.

Performance Data

Lumen Output

Lumen values are from photometric tests performed in accordance with IESNA LM-79-08. Data is considered to be representative of the configurations shown, within the tolerances allowed by Lighting Facts. Contact factory for performance data on any configurations not shown here.

LEDs	Drive Current (mA)	System Watts	Dist. Type	30K					40K					50K					AMBER				
				Lumens	B	U	G	LPW	Lumens	B	U	G	LPW	Lumens	B	U	G	LPW	Lumens	B	U	G	LPW
20C (20 LEDs)	350 mA	25W	T2S	2,783	1	0	1	111	2,989	1	0	1	120	3,007	1	0	1	120	1,720	1	0	1	69
			T2M	2,708	1	0	1	108	2,908	1	0	1	116	2,926	1	0	1	117	1,673	1	0	1	67
			T3S	2,748	1	0	1	110	2,951	1	0	1	118	2,970	1	0	1	119	1,698	0	0	1	68
			T3M	2,793	1	0	1	112	2,999	1	0	1	120	3,018	1	0	1	121	1,726	1	0	1	69
			T4M	2,756	1	0	1	110	2,959	1	0	1	118	2,978	1	0	1	119	1,703	0	0	1	68
			TFTM	2,754	1	0	1	110	2,957	1	0	1	118	2,975	1	0	1	119	1,701	0	0	1	68
	530 mA	36W	T2S	4,029	1	0	1	112	4,327	1	0	1	120	4,354	1	0	1	121	1,698	0	0	1	68
			T2M	3,920	1	0	1	109	4,210	1	0	1	117	4,236	1	0	1	118	1,726	1	0	1	69
			T3S	3,979	1	0	1	111	4,272	1	0	1	119	4,299	1	0	1	119	1,720	1	0	1	69
			T3M	4,044	1	0	1	112	4,342	1	0	2	121	4,369	1	0	2	121	1,701	0	0	1	68
			T4M	3,990	1	0	1	111	4,284	1	0	1	119	4,311	1	0	1	120	1,703	0	0	1	68
			TFTM	3,986	1	0	1	111	4,281	1	0	1	119	4,307	1	0	1	120	1,673	1	0	1	67
	700 mA	47W	T2S	5,130	1	0	1	109	5,509	1	0	1	117	5,544	1	0	1	118	2,473	1	0	1	69
			T2M	4,991	1	0	1	106	5,360	1	0	1	114	5,393	1	0	2	115	2,406	1	0	1	67
			T3S	5,066	1	0	1	108	5,440	1	0	1	116	5,474	1	0	1	116	2,442	1	0	1	68
			T3M	5,148	1	0	2	110	5,528	1	0	2	118	5,563	1	0	2	118	2,482	1	0	1	69
			T4M	5,080	1	0	1	108	5,455	1	0	1	116	5,489	1	0	2	117	2,449	1	0	1	68
			TFTM	5,076	1	0	1	108	5,450	1	0	1	116	5,484	1	0	2	117	2,447	1	0	1	68
	1000 mA	74W	T2S	7,148	1	0	1	97	7,675	1	0	1	104	7,723	1	0	1	104	3,060	1	0	1	65
			T2M	6,954	1	0	2	94	7,467	1	0	2	101	7,514	2	0	2	102	2,977	1	0	1	63
			T3S	7,058	1	0	1	95	7,579	1	0	1	102	7,626	1	0	2	103	3,021	1	0	1	64
			T3M	7,173	1	0	2	97	7,702	1	0	2	104	7,750	1	0	2	105	3,070	1	0	1	65
			T4M	7,077	1	0	2	96	7,599	1	0	2	103	7,647	1	0	2	103	3,029	1	0	1	64
			TFTM	7,071	1	0	2	96	7,593	1	0	2	103	7,641	1	0	2	103	3,027	1	0	1	64
30C (30 LEDs)	350 mA	36W	T2S	4,160	1	0	1	116	4,467	1	0	1	124	4,495	1	0	1	125	2,573	1	0	1	103
			T2M	4,047	1	0	1	112	4,346	1	0	1	121	4,373	1	0	1	121	2,503	1	0	1	100
			T3S	4,107	1	0	1	114	4,411	1	0	1	123	4,438	1	0	1	123	2,541	1	0	1	102
			T3M	4,174	1	0	1	116	4,482	1	0	2	125	4,511	1	0	2	125	2,582	1	0	1	103
			T4M	4,119	1	0	1	114	4,423	1	0	1	123	4,450	1	0	1	124	2,547	1	0	1	102
			TFTM	4,115	1	0	1	114	4,419	1	0	1	123	4,447	1	0	1	124	2,545	1	0	1	102
	530 mA	54W	T2S	6,001	1	0	1	111	6,444	1	0	1	119	6,485	1	0	1	120	2,573	1	0	1	71
			T2M	5,839	1	0	1	108	6,270	1	0	2	116	6,309	1	0	2	117	2,503	1	0	1	70
			T3S	5,926	1	0	1	110	6,363	1	0	1	118	6,403	1	0	1	119	2,541	1	0	1	71
			T3M	6,022	1	0	2	112	6,467	1	0	2	120	6,507	1	0	2	121	2,582	1	0	1	72
			T4M	5,942	1	0	1	110	6,381	1	0	2	118	6,420	1	0	2	119	2,547	1	0	1	71
			TFTM	5,937	1	0	1	110	6,375	1	0	2	118	6,415	1	0	2	119	2,545	1	0	1	71
	700 mA	71W	T2S	7,609	1	0	1	107	8,170	1	0	1	115	8,221	2	0	2	116	3,696	1	0	1	68
			T2M	7,402	1	0	2	104	7,949	2	0	2	112	7,999	2	0	2	113	3,596	1	0	1	67
			T3S	7,513	1	0	1	106	8,068	1	0	2	114	8,118	1	0	2	114	3,649	1	0	1	68
			T3M	7,635	1	0	2	108	8,199	1	0	2	115	8,250	2	0	3	116	3,709	1	0	2	69
			T4M	7,533	1	0	2	106	8,089	1	0	2	114	8,140	1	0	2	115	3,659	1	0	1	68
			TFTM	7,527	1	0	2	106	8,083	1	0	2	114	8,133	1	0	2	115	3,656	1	0	1	68
	1000 mA	109W	T2S	10,468	2	0	2	96	11,241	2	0	2	103	11,311	2	0	2	104	4,559	1	0	1	64
			T2M	10,184	2	0	2	93	10,936	2	0	2	100	11,004	2	0	2	101	4,436	1	0	2	62
			T3S	10,336	1	0	2	95	11,099	1	0	2	102	11,169	2	0	2	102	4,502	1	0	1	63
			T3M	10,505	2	0	3	96	11,280	2	0	3	103	11,351	2	0	3	104	4,575	1	0	2	64
			T4M	10,364	1	0	2	95	11,129	1	0	2	102	11,199	2	0	2	103	4,514	1	0	2	64
			TFTM	10,356	1	0	2	95	11,120	2	0	2	102	11,190	2	0	2	103	4,510	1	0	1	64

Note: Available with phosphor-converted amber LED's (nomenclature AMBPC). These LED's produce light with 97+% >530 nm. Output can be calculated by applying a 0.7 factor to 4000 K lumen values and photometric files.



Performance Data

Lumen Ambient Temperature (LAT) Multipliers

Use these factors to determine relative lumen output for average ambient temperatures from 0-40°C (32-104°F).

Ambient		Lumen Multiplier
0°C	32°F	1.02
10°C	50°F	1.01
20°C	68°F	1.00
25°C	77°F	1.00
30°C	86°F	1.00
40°C	104°F	0.98

Electrical Load

LEDs	Drive Current (mA)	System Watts	Current (A)					
			120V	208V	240V	277V	347V	480V
20C	350	25 W	0.23	0.13	0.12	0.10	-	-
	530	36 W	0.33	0.19	0.17	0.14	-	-
	700	47 W	0.44	0.25	0.22	0.19	-	-
	1000	74 W	0.68	0.39	0.34	0.29	-	-
30C	350	36 W	0.33	0.19	0.17	0.14	-	-
	530	54 W	0.50	0.29	0.25	0.22	-	-
	700	71 W	0.66	0.38	0.33	0.28	0.23	0.16
	1000	109 W	1.01	0.58	0.50	0.44	-	-

Projected LED Lumen Maintenance

Data references the extrapolated performance projections for the **DSXW2 LED 30C 1000** platform in a **25°C ambient**, based on 10,000 hours of LED testing (tested per IESNA LM-80-08 and projected per IESNA TM-21-11).

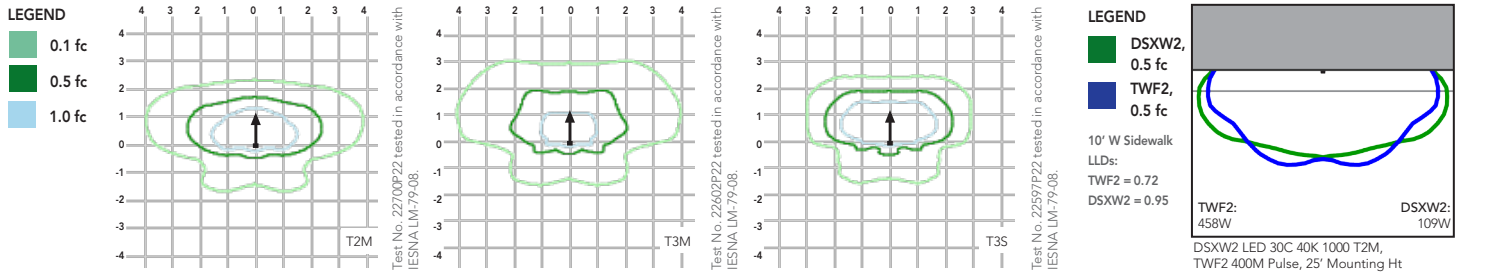
To calculate LLF, use the lumen maintenance factor that corresponds to the desired number of operating hours below. For other lumen maintenance values, contact factory.

Operating Hours	0	25,000	50,000	100,000
Lumen Maintenance Factor	1.0	0.95	0.92	0.87

Photometric Diagrams

To see complete photometric reports or download .ies files for this product, visit Lithonia Lighting's [D-Series Wall Size 2 homepage](#).

Isofootcandle plots for the DSXW2 LED 30C 1000 40K. Distances are in units of mounting height (25').



FEATURES & SPECIFICATIONS

INTENDED USE

The energy savings, long life and easy-to-install design of the D-Series Wall Size 2 make it the smart choice for building-mounted doorway and pathway illumination for nearly any facility.

CONSTRUCTION

Two-piece die-cast aluminum housing has integral heat sink fins to optimize thermal management through conductive and convective cooling. Modular design allows for ease of maintenance. The LED driver is mounted to the door to thermally isolate it from the light engines for low operating temperature and long life. Housing is completely sealed against moisture and environmental contaminants (IP65).

FINISH

Exterior parts are protected by a zinc-infused Super Durable TGIC thermoset powder coat finish that provides superior resistance to corrosion and weathering. A tightly controlled multi-stage process ensures a minimum 3 mils thickness for a finish that can withstand extreme climate changes without cracking or peeling. Available in textured and non-textured finishes.

OPTICS

Precision-molded proprietary acrylic lenses provide multiple photometric distributions tailored specifically to building mounted applications. Light engines are available in 3000 K (70 min. CRI), 4000 K (70 min. CRI) or 5000 K (70 min. CRI) configurations.

ELECTRICAL

Light engine(s) consist of 10 high-efficacy LEDs mounted to a metal-core circuit board to maximize heat dissipation and promote long life (L87/100,000 hrs at 25°C). Class 1 electronic drivers have a power factor >90%, THD <20%, and a minimum 2.5KV surge rating. When ordering the SPD option, a separate surge protection device is installed within the luminaire which meets a minimum Category C Low (per ANSI/IEEE C62.41.2).

INSTALLATION

Included universal mounting bracket attaches securely to any 4" round or square outlet box for quick and easy installation. Luminaire has a slotted gasket wireway and attaches to the mounting bracket via corrosion-resistant screws.

LISTINGS

CSA certified to U.S. and Canadian standards. Rated for -40°C minimum ambient.

DesignLights Consortium® (DLC) qualified product. Not all versions of this product may be DLC qualified. Please check the DLC Qualified Products List at www.designlights.org to confirm which versions are qualified.

WARRANTY

Five-year limited warranty. Complete warranty terms located at www.acuitybrands.com/CustomerResources/Terms_and_conditions.aspx.

Note: Actual performance may differ as a result of end-user environment and application. All values are design or typical values, measured under laboratory conditions at 25 °C. Specifications subject to change without notice.

