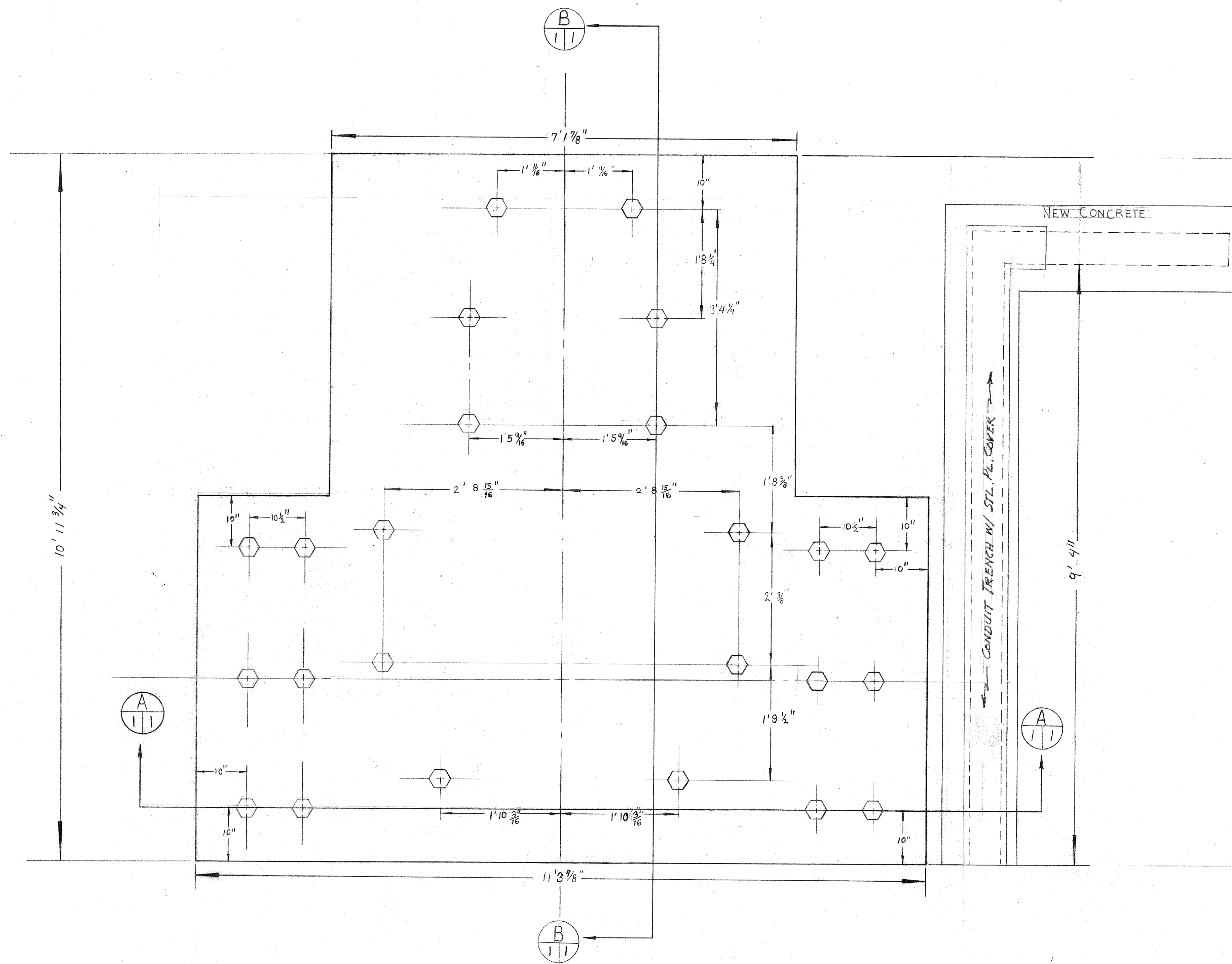
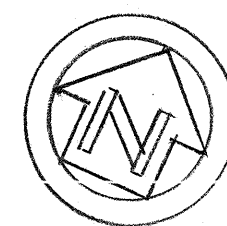
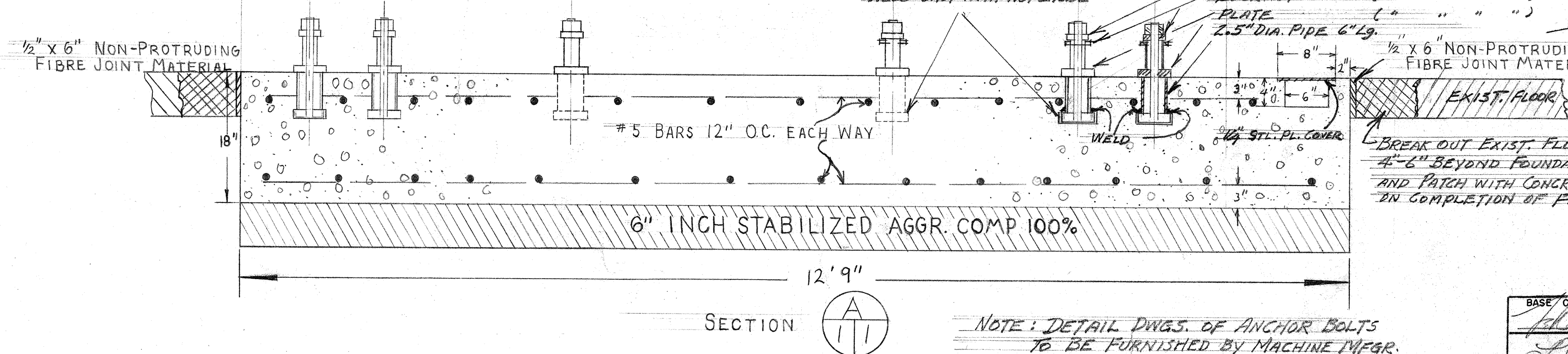


LOCATION OF PROJECT BLDG 265
SCALE 1" = 50'-0"

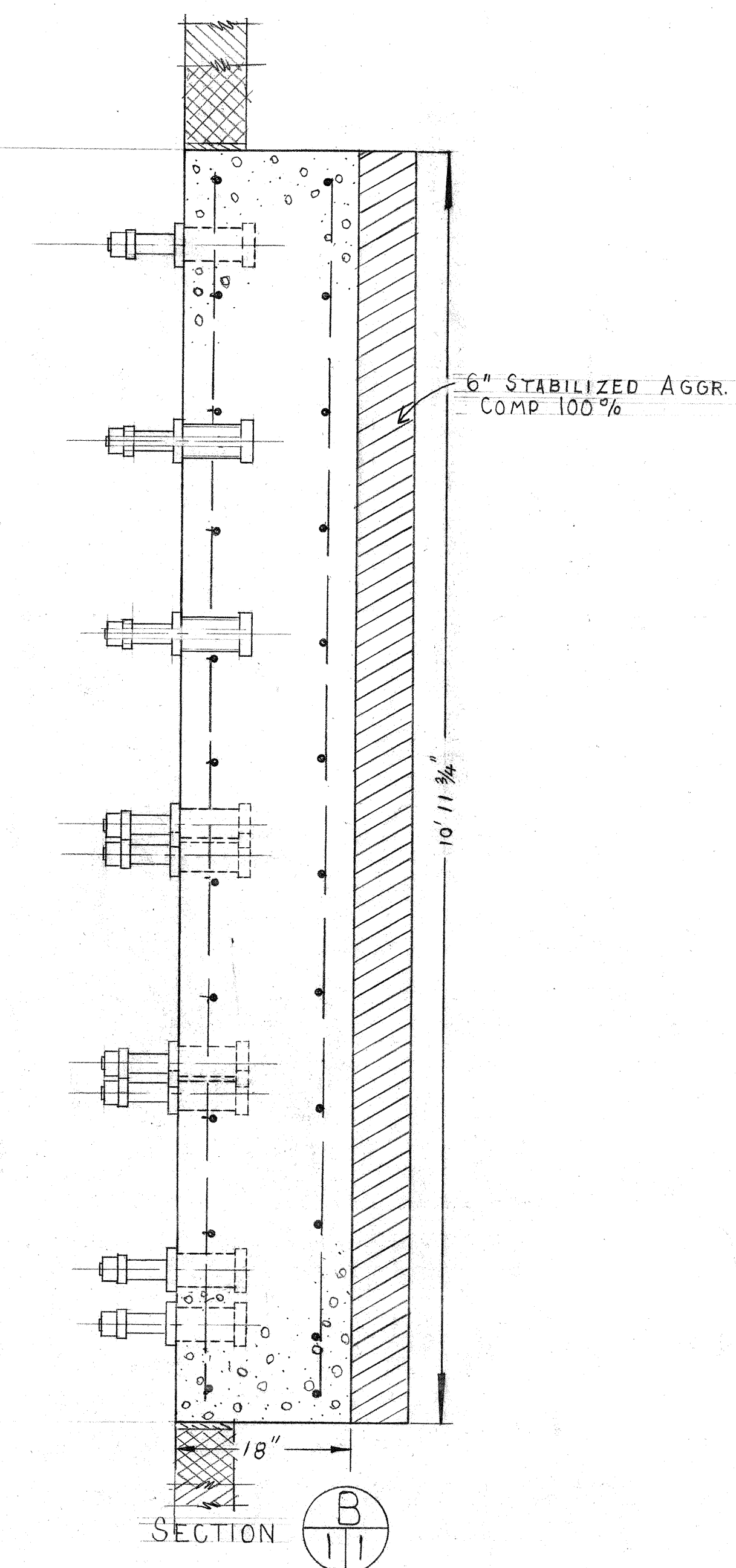


PLAN
SCALE 1" = 1'-0"

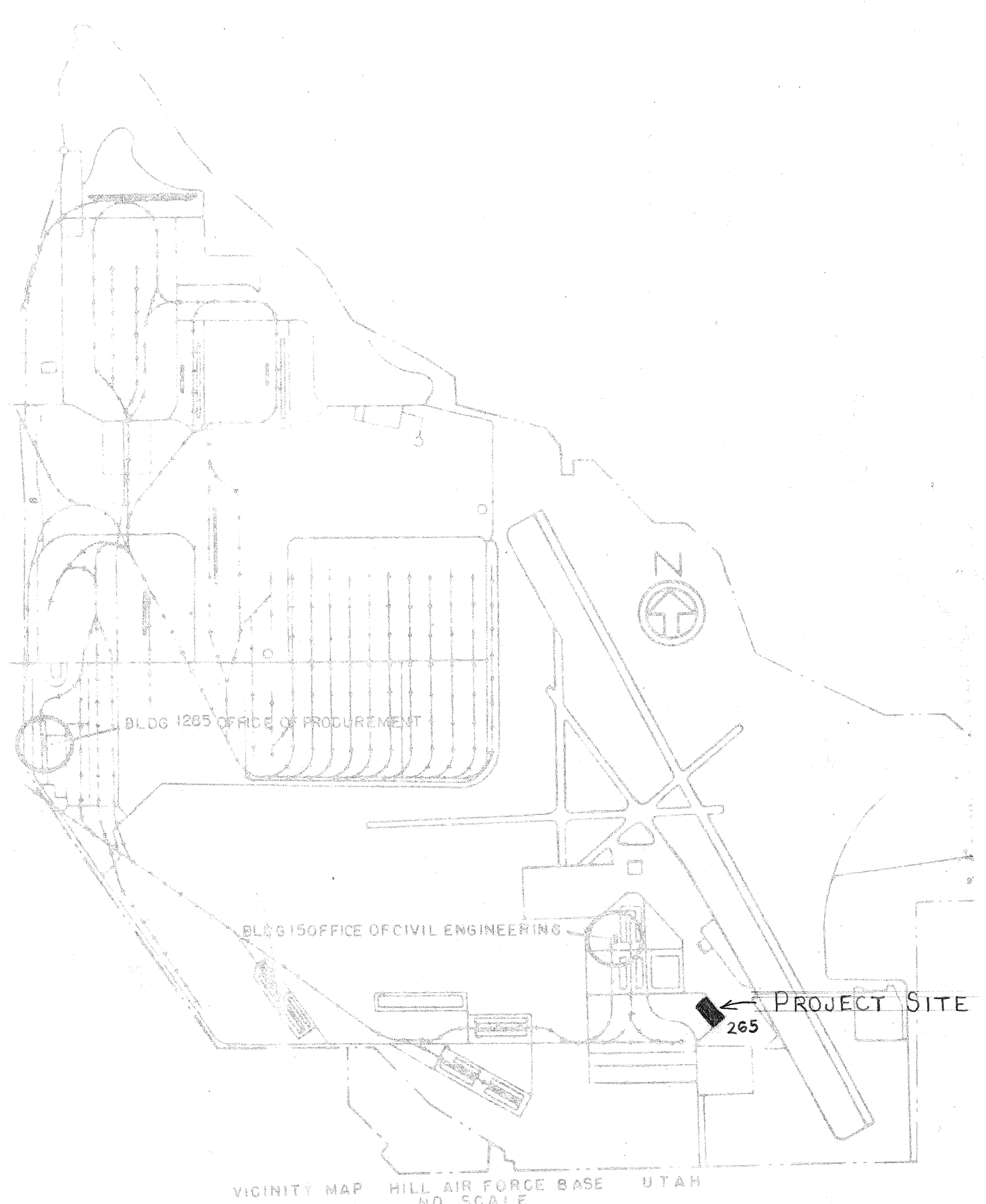


SECTION A-A

NOTE: DETAIL DWGS. OF ANCHOR BOLTS
TO BE FURNISHED BY MACHINE MFR.
BOLTS FURN BY D.M.A. (ON HAND)



SECTION B-B



VICINITY MAP HILL AIR FORCE BASE UTAH
NO SCALE

REVISION	DATE	DESCRIPTION	BY
DEPARTMENT OF THE AIR FORCE OGDEN AIR MATERIEL AREA OFFICE OF CIVIL ENGINEERING			
HILL AIR FORCE BASE		OGDEN, UTAH	
DESIGNED BY	DATE	NUMERICENTER FOUNDATION BLDG # 265 PLANS & SECTIONS	
DRAWN BY	DATE		
CHECKED BY	DATE		
APPROVED BY	DATE		
SUBMITTED		APPROVAL RECOMMENDED	APPROVED
APPROVED		DATE	WORK ORDER NO.
APPROVED		DATE	PROJECT NO.
APPROVED		DATE	DRAWING NUMBER
APPROVED		DATE	SHEET 1 OF 1 SCALE NOTED

M 116-83 265