



U.S. Department
of Transportation

Federal Aviation
Administration

Advisory Circular

Subject: Standards for Specifying
Construction of Airports

Date: 7/21/2014

AC No: 150/5370-10G

Initiated by: AAS-100

Change:

1. Purpose. The standards contained in this advisory circular (AC) relate to materials and methods used for the construction on airports. Items covered in this AC include general provisions, earthwork, flexible base courses, rigid base courses, flexible surface courses, rigid pavement, fencing, drainage, turf, and lighting installation.

2. Application. The Federal Aviation Administration (FAA) recommends the guidelines and specifications in this AC for materials and methods used in the construction on airports. In general, use of this AC is not mandatory. However, use of this AC is mandatory for all projects funded with federal grant monies through the Airport Improvement Program (AIP) and with revenue from the Passenger Facility Charge (PFC) Program. See Grant Assurance No. 34, Policies, Standards, and Specifications, and PFC Assurance No. 9, Standards and Specifications.

3. Developing Project Specifications. The standards in this AC may be used to develop construction specifications for an individual project or for a particular State.

For individual projects, the standards must not be made a part of a contract merely by reference and pertinent portions of the specifications must be copied into the contract documents. For State specifications, the standards should be developed into specifications for a particular State. On approval by the FAA, these State specifications may be incorporated in construction contracts by reference.

Modifications to standards requests contained in this AC must meet the requirements of Order 5300.1, Modifications to Agency Airport Design, Construction, and Equipment Standards.

When preparing construction contracts for AIP or PFC projects or for grant obligated airports, the user should review the contract provisions, found at the FAA's Procurement and Contracting Under AIP Airports website <http://www.faa.gov/airports/aip/procurement/>, to obtain the mandatory provisions (wage, labor, Disadvantaged Business Enterprises (DBE), Equal Employment Opportunity (EEO), etc.) that must be included in the contract proposals. Additional contract clauses may be required to comply with local and state laws relating to advertising, awarding, and administering construction contracts.

4. Changes, additions and deletions to the FAA Standard Specifications. Directions to the Engineer are contained in the AC Engineer Notes (shown between lines of asterisks). These notes explain the options available to the Engineer when preparing a specification, and the appropriate changes and additions that must be made. Where numbers, words, phrases or sentences are enclosed in brackets [___], a choice or modification must be made. Where blank spaces [___] occur in sentences, the appropriate data must be inserted. Where entire paragraphs are not applicable, they should be deleted. Additional sentences may be added if necessary, however they may not modify the construction standards in this AC. The final project specifications should not include the Engineer Notes. No other changes to the

specification may be made unless the Engineer has received the approval of the FAA following the process described in paragraph 3 for modifications to standards.

5. Cancellation. This AC cancels AC 150/5370-10F, Standards for Specifying Construction of Airports, dated September 30, 2011.

6. Principal changes. This AC contains the following changes:

- Extensive technical and editorial edits have been made throughout the document.
- Deleted “Notice to Users” and moved information to the title page under Paragraph 3, Developing Project Specifications, and Paragraph 4, Changes, additions and deletions to the FAA Standard Specifications.
- Updated references to the ACs and industry standards including ASTM International (formerly known as the American Society for Testing and Materials (ASTM)), American Association of State Highway and Transportation Officials (AASHTO), Asphalt Institute (AI), etc.
- Added new paragraphs to Section 90: Paragraph 90-10, Construction Warranty; and Paragraph 90-11, Project Closeout.
- Deleted Section 120 Nuclear Gauges and incorporated guidance in specifications.
- Added Gyrotory Method has been added to Items P-401 and P-403.
- Added new sections and items:
 - Section 105, Mobilization
 - Item P-601, Fuel-Resistant Hot Mix Asphalt (HMA) Pavement
 - Item P-608, Emulsified Asphalt Seal Coat
 - Item P-629, Thermoplastic Coal Tar Emulsion Surface Treatments
 - Item F-164, Wildlife Exclusion Fence
- Deleted the following items:
 - Item P-402, Porous Friction Course (Central Plant Hot Mix)
 - Item T-907, Tilling
 - Item L-102, Hazard Beacons

7. Metrics. Throughout this AC, customary English units will be used followed with “soft” (rounded) conversion to metric units. The English units shall govern. One unit of measure should be selected and shown in the final specification.

8. Comments or suggestions. Send comments or suggestions for improving this AC to:

Manager, Airport Engineering Division
Federal Aviation Administration
ATTN: AAS-100
800 Independence Avenue SW
Washington DC 20591

- 9. Copies of this AC.** This AC is available on the FAA Airport website:
http://www.faa.gov/regulations_policies/advisory_circulars/.

A handwritten signature in black ink, appearing to read "Michael J. O'Donnell". The signature is stylized and written over the URL in the previous block.

Michael J. O'Donnell
Director of Airport Safety and Standards

Intentionally Left Blank

Table of Contents

PART 1 – GENERAL PROVISIONS	1
Section 10 Definition of Terms.....	1
Section 20 Proposal Requirements and Conditions	5
Section 30 Award and Execution of Contract.....	9
Section 40 Scope of Work	13
Section 50 Control of Work.....	17
Section 60 Control of Materials.....	27
Section 70 Legal Regulations and Responsibility to Public	33
Section 80 Execution and Progress.....	43
Section 90 Measurement and Payment	51
Section 100 Contractor Quality Control Program.....	61
Section 105 Mobilization.....	69
Section 110 Method of Estimating Percentage of Material Within Specification Limits (PWL)..	71
PART 2 – EARTHWORK.....	77
Item P-101 Surface Preparation	77
Item P-151 Clearing and Grubbing.....	83
Item P-152 Excavation, Subgrade, and Embankment.....	87
Item P-153 Controlled Low-Strength Material (CLSM)	99
Item P-154 Subbase Course	103
Item P-155 Lime-Treated Subgrade.....	109
Item P-156 Temporary Air and Water Pollution, Soil Erosion, and Siltation Control	117
Item P-157 Cement Kiln Dust (CKD) Treated Subgrade	121
Item P-158 Fly Ash Treated Subgrade.....	127
PART 3 – FLEXIBLE BASE COURSES	133
Item P-208 Aggregate Base Course	133
Item P-209 Crushed Aggregate Base Course.....	141
Item P-210 Caliche Base Course	147
Item P-211 Lime Rock Base Course.....	153
Item P-212 Shell Base Course	159
Item P-213 Sand-Clay Base Course.....	165
Item P-217 Aggregate-Turf Pavement.....	171
Item P-219 Recycled Concrete Aggregate Base Course.....	177
PART 4 – RIGID BASE COURSES	185
Item P-301 Soil-Cement Base Course	185
Item P-304 Cement-Treated Base Course.....	191
Item P-306 Lean Concrete Base Course	203
PART 5 – FLEXIBLE SURFACE COURSES.....	217
Item P-401 Hot Mix Asphalt (HMA) Pavements	217
Item P-403 Hot Mix Asphalt (HMA) Pavements (Base, Leveling or Surface Course).....	257
PART 6 – RIGID PAVEMENT.....	291
Item P-501 Portland Cement Concrete (PCC) Pavement	291
PART 7 – MISCELLANEOUS	339
Item P-601 Fuel-Resistant Hot Mix Asphalt (HMA) Pavement.....	339
Item P-602 Bituminous Prime Coat	361
Item P-603 Bituminous Tack Coat	365

Item P-604 Compression Joint Seals for Concrete Pavements	369
Item P-605 Joint Sealants for Concrete Pavements	379
Item P-606 Adhesive Compounds, Two-Component for Sealing Wire and Lights in Pavement	387
Item P-608 Emulsified Asphalt Seal Coat	391
Item P-609 Bituminous Surface Treatments	404
Item P-610 Structural Portland Cement Concrete.....	412
Item P-620 Runway and Taxiway Marking	424
Item P-621 Saw-Cut Grooves	440
Item P-626 Emulsified Asphalt Slurry Seal Surface Treatment	444
Item P-629 Thermoplastic Coal Tar Emulsion Surface Treatments	454
Item P-630 Refined Coal Tar Emulsion Without Additives, Slurry Seal Surface Treatment.....	468
Item P-631 Refined Coal Tar Emulsion With Additives, Slurry Seal Surface Treatment	476
Item P-632 Bituminous Pavement Rejuvenation	484
PART 8 – FENCING	495
Item F-160 Wire Fence With Wood Posts (Class A and B Fences)	495
Item F-161 Wire Fence With Steel Posts (Class C and D Fence).....	501
Item F-162 Chain-Link Fence.....	505
Item F-163 Wildlife Deterrent Fence Skirt	511
Item F-164 Wildlife Exclusion Fence.....	519
PART 9 – DRAINAGE	531
Item D-701 Pipe for Storm Drains and Culverts.....	531
Item D-702 Slotted Drains	539
Item D-705 Pipe Underdrains for Airports	543
Item D-751 Manholes, Catch Basins, Inlets and Inspection Holes.....	553
Item D-752 Concrete Culverts, Headwalls, and Miscellaneous Drainage Structures.....	559
Item D-754 Concrete Gutters, Ditches, and Flumes	563
PART 10 – TURFING	565
Item T-901 Seeding.....	565
Item T-903 Sprigging.....	571
Item T-904 Sodding	575
Item T-905 Topsoiling	579
Item T-908 Mulching.....	583
PART 11 – LIGHTING INSTALLATION	587
Item L-101 Airport Rotating Beacons	587
Item L-103 Airport Beacon Towers.....	593
Item L-107 Airport Wind Cones.....	599
Item L-108 Underground Power Cable for Airports.....	605
Item L-109 Airport Transformer Vault and Vault Equipment.....	621
Item L-110 Airport Underground Electrical Duct Banks and Conduits	631
Item L-115 Electrical Manholes and Junction Structures	641
Item L-119 Airport Obstruction Lights.....	651

Part 1 – General Provisions

Section 10 Definition of Terms

Whenever the following terms are used in these specifications, in the contract, or in any documents or other instruments pertaining to construction where these specifications govern, the intent and meaning shall be interpreted as follows:

10-01 AASHTO. The American Association of State Highway and Transportation Officials, the successor association to AASHO.

10-02 Access road. The right-of-way, the roadway and all improvements constructed thereon connecting the airport to a public highway.

10-03 Advertisement. A public announcement, as required by local law, inviting bids for work to be performed and materials to be furnished.

10-04 Airport Improvement Program (AIP). A grant-in-aid program, administered by the Federal Aviation Administration (FAA).

10-05 Air operations area (AOA). For the purpose of these specifications, the term air operations area (AOA) shall mean any area of the airport used or intended to be used for the landing, takeoff, or surface maneuvering of aircraft. An air operation area shall include such paved or unpaved areas that are used or intended to be used for the unobstructed movement of aircraft in addition to its associated runway, taxiway, or apron.

10-06 Airport. Airport means an area of land or water which is used or intended to be used for the landing and takeoff of aircraft; an appurtenant area used or intended to be used for airport buildings or other airport facilities or rights of way; and airport buildings and facilities located in any of these areas, and includes a heliport.

10-07 ASTM International (ASTM). Formerly known as the American Society for Testing and Materials (ASTM).

10-08 Award. The Owner's notice to the successful bidder of the acceptance of the submitted bid.

10-09 Bidder. Any individual, partnership, firm, or corporation, acting directly or through a duly authorized representative, who submits a proposal for the work contemplated.

10-10 Building area. An area on the airport to be used, considered, or intended to be used for airport buildings or other airport facilities or rights-of-way together with all airport buildings and facilities located thereon.

10-11 Calendar day. Every day shown on the calendar.

10-12 Change order. A written order to the Contractor covering changes in the plans, specifications, or proposal quantities and establishing the basis of payment and contract time adjustment, if any, for the work affected by such changes. The work, covered by a change order, must be within the scope of the contract.

10-13 Contract. The written agreement covering the work to be performed. The awarded contract shall include, but is not limited to: Advertisement, Contract Form, Proposal, Performance Bond, Payment Bond, any required insurance certificates, Specifications, Plans, and any addenda issued to bidders.

10-14 Contract item (pay item). A specific unit of work for which a price is provided in the contract.

10-15 Contract time. The number of calendar days or working days, stated in the proposal, allowed for completion of the contract, including authorized time extensions. If a calendar date of completion is stated in the proposal, in lieu of a number of calendar or working days, the contract shall be completed by that date.

10-16 Contractor. The individual, partnership, firm, or corporation primarily liable for the acceptable performance of the work contracted and for the payment of all legal debts pertaining to the work who acts directly or through lawful agents or employees to complete the contract work.

10-17 Contractor's laboratory. The Contractor's quality control organization in accordance with the Contractor Quality Control Program.

10-18 Construction Safety and Phasing Plan (CSPP). The overall plan for safety and phasing of a construction project developed by the airport operator, or developed by the airport operator's consultant and approved by the airport operator. It is included in the invitation for bids and becomes part of the project specifications.

10-19 Drainage system. The system of pipes, ditches, and structures by which surface or subsurface waters are collected and conducted from the airport area.

10-20 Engineer. The individual, partnership, firm, or corporation duly authorized by the Owner to be responsible for engineering [inspection] [observation] of the contract work and acting directly or through an authorized representative.

10-21 Equipment. All machinery, together with the necessary supplies for upkeep and maintenance, and also all tools and apparatus necessary for the proper construction and acceptable completion of the work.

10-22 Extra work. An item of work not provided for in the awarded contract as previously modified by change order or supplemental agreement, but which is found by the Engineer to be necessary to complete the work within the intended scope of the contract as previously modified.

10-23 FAA. The Federal Aviation Administration of the U.S. Department of Transportation. When used to designate a person, FAA shall mean the Administrator or his or her duly authorized representative.

10-24 Federal specifications. The Federal Specifications and Standards, Commercial Item Descriptions, and supplements, amendments, and indices thereto are prepared and issued by the General Services Administration of the Federal Government.

10-25 Force account. Force account work is planning, engineering, or construction work done by the Sponsor's employees.

10-26 Inspector. An authorized representative of the Engineer assigned to make all necessary [inspections] [observations] and/or [tests] [observation of tests] of the work performed or being performed, or of the materials furnished or being furnished by the Contractor.

10-27 Intention of terms. Whenever, in these specifications or on the plans, the words "directed," "required," "permitted," "ordered," "designated," "prescribed," or words of like import are used, it shall be understood that the direction, requirement, permission, order, designation, or prescription of the Engineer is intended; and similarly, the words "approved," "acceptable," "satisfactory," or words of like import, shall mean approved by, or acceptable to, or satisfactory to the Engineer, subject in each case to the final determination of the Owner.

Any reference to a specific requirement of a numbered paragraph of the contract specifications or a cited standard shall be interpreted to include all general requirements of the entire section, specification item, or cited standard that may be pertinent to such specific reference.

10-28 Laboratory. The official testing laboratories of the Owner or such other laboratories as may be designated by the Engineer. Also referred to as “Engineer’s Laboratory” or “quality assurance laboratory.”

10-29 Lighting. A system of fixtures providing or controlling the light sources used on or near the airport or within the airport buildings. The field lighting includes all luminous signals, markers, floodlights, and illuminating devices used on or near the airport or to aid in the operation of aircraft landing at, taking off from, or taxiing on the airport surface.

10-30 Major and minor contract items. A major contract item shall be any item that is listed in the proposal, the total cost of which is equal to or greater than 20% of the total amount of the award contract. All other items shall be considered minor contract items.

10-31 Materials. Any substance specified for use in the construction of the contract work.

10-32 Notice to Proceed (NTP). A written notice to the Contractor to begin the actual contract work on a previously agreed to date. If applicable, the Notice to Proceed shall state the date on which the contract time begins.

10-33 Owner. The term “Owner” shall mean the party of the first part or the contracting agency signatory to the contract. Where the term “Owner” is capitalized in this document, it shall mean airport Sponsor only.

10-34 Passenger Facility Charge (PFC). Per 14 CFR Part 158 and 49 USC § 40117, a PFC is a charge imposed by a public agency on passengers enplaned at a commercial service airport it controls.”

10-35 Pavement. The combined surface course, base course, and subbase course, if any, considered as a single unit.

10-36 Payment bond. The approved form of security furnished by the Contractor and his or her surety as a guaranty that the Contractor will pay in full all bills and accounts for materials and labor used in the construction of the work.

10-37 Performance bond. The approved form of security furnished by the Contractor and his or her surety as a guaranty that the Contractor will complete the work in accordance with the terms of the contract.

10-38 Plans. The official drawings or exact reproductions which show the location, character, dimensions and details of the airport and the work to be done and which are to be considered as a part of the contract, supplementary to the specifications.

10-39 Project. The agreed scope of work for accomplishing specific airport development with respect to a particular airport.

10-40 Proposal. The written offer of the bidder (when submitted on the approved proposal form) to perform the contemplated work and furnish the necessary materials in accordance with the provisions of the plans and specifications.

10-41 Proposal guaranty. The security furnished with a proposal to guarantee that the bidder will enter into a contract if his or her proposal is accepted by the Owner.

10-42 Runway. The area on the airport prepared for the landing and takeoff of aircraft.

10-43 Specifications. A part of the contract containing the written directions and requirements for completing the contract work. Standards for specifying materials or testing which are cited in the contract specifications by reference shall have the same force and effect as if included in the contract physically.

10-44 Sponsor. A Sponsor is defined in 49 USC § 47102(24) as a public agency that submits to the FAA for an AIP grant; or a private Owner of a public-use airport that submits to the FAA an application for an AIP grant for the airport.

10-45 Structures. Airport facilities such as bridges; culverts; catch basins, inlets, retaining walls, cribbing; storm and sanitary sewer lines; water lines; underdrains; electrical ducts, manholes, handholes, lighting fixtures and bases; transformers; flexible and rigid pavements; navigational aids; buildings; vaults; and, other manmade features of the airport that may be encountered in the work and not otherwise classified herein.

10-46 Subgrade. The soil that forms the pavement foundation.

10-47 Superintendent. The Contractor's executive representative who is present on the work during progress, authorized to receive and fulfill instructions from the Engineer, and who shall supervise and direct the construction.

10-48 Supplemental agreement. A written agreement between the Contractor and the Owner covering (1) work that would increase or decrease the total amount of the awarded contract, or any major contract item, by more than 25%, such increased or decreased work being within the scope of the originally awarded contract; or (2) work that is not within the scope of the originally awarded contract.

10-49 Surety. The corporation, partnership, or individual, other than the Contractor, executing payment or performance bonds that are furnished to the Owner by the Contractor.

10-50 Taxiway. For the purpose of this document, the term taxiway means the portion of the air operations area of an airport that has been designated by competent airport authority for movement of aircraft to and from the airport's runways, aircraft parking areas, and terminal areas.

10-51 Work. The furnishing of all labor, materials, tools, equipment, and incidentals necessary or convenient to the Contractor's performance of all duties and obligations imposed by the contract, plans, and specifications.

10-52 Working day. A working day shall be any day other than a legal holiday, Saturday, or Sunday on which the normal working forces of the Contractor may proceed with regular work for at least six (6) hours toward completion of the contract. When work is suspended for causes beyond the Contractor's control, it will not be counted as a working day. Saturdays, Sundays and holidays on which the Contractor's forces engage in regular work will be considered as working days.

END OF SECTION 10

Section 20 Proposal Requirements and Conditions

20-01 Advertisement (Notice to Bidders).

The Owner, or their authorized agent, shall publish the advertisement at such places and at such times as are required by local law or ordinances. The published advertisement shall state the time and place for submitting sealed proposals; a description of the proposed work; instructions to bidders as to obtaining proposal forms, plans, and specifications; proposal guaranty required; and the Owner’s right to reject any and all bids. If the Owner prequalifies bidders, they shall publish the advertisement at such places and at such times as are required by local law or ordinances.

20-02 Qualification of bidders. Each bidder shall furnish the Owner satisfactory evidence of his or her competency to perform the proposed work. Such evidence of competency, unless otherwise specified, shall consist of statements covering the bidder’s past experience on similar work, a list of equipment that would be available for the work, and a list of key personnel that would be available. In addition, each bidder shall furnish the Owner satisfactory evidence of his or her financial responsibility. Such evidence of financial responsibility, unless otherwise specified, shall consist of a confidential statement or report of the bidder’s financial resources and liabilities as of the last calendar year or the bidder’s last fiscal year. Such statements or reports shall be certified by a public accountant. At the time of submitting such financial statements or reports, the bidder shall further certify whether his or her financial responsibility is approximately the same as stated or reported by the public accountant. If the bidder’s financial responsibility has changed, the bidder shall qualify the public accountant’s statement or report to reflect the bidder’s true financial condition at the time such qualified statement or report is submitted to the Owner.

Unless otherwise specified, a bidder may submit evidence that he or she is prequalified with the State Highway Division and is on the current “bidder’s list” of the state in which the proposed work is located. Such evidence of State Highway Division prequalification may be submitted as evidence of financial responsibility in lieu of the certified statements or reports specified above.

Each bidder shall submit “evidence of competency” and “evidence of financial responsibility” to the Owner at the time of bid opening.

20-03 Contents of proposal forms. The Owner shall furnish bidders with proposal forms. All papers bound with or attached to the proposal forms are necessary parts and must not be detached.

The plans, specifications, and other documents designated in the proposal form shall be considered a part of the proposal whether attached or not.

The proposal forms furnished to bidders should state the location and description of the proposed construction; the place, date, and time of opening of the proposals; and should show the estimated quantities of the various items of work to be

performed and materials to be furnished for which unit bid prices are asked. The proposal form shall state the time in which the work must be completed, and the amount of the proposal guaranty that must accompany the proposal.

Should the Owner require a prebid conference, the time, date, and place shall be stated in the proposal.

For Airport Improvement Program (AIP) and Passenger Facility Charge (PFC) funded contracts, the proposal shall conform to the requirements of local laws and ordinances pertaining to letting of contracts.

20-04 Issuance of proposal forms. The Owner reserves the right to refuse to issue a proposal form to a prospective bidder should such bidder be in default for any of the following reasons:

- a. Failure to comply with any prequalification regulations of the Owner, if such regulations are cited, or otherwise included, in the proposal as a requirement for bidding.
- b. Failure to pay, or satisfactorily settle, all bills due for labor and materials on former contracts in force with the Owner at the time the Owner issues the proposal to a prospective bidder.
- c. Documented record of Contractor default under previous contracts with the Owner.
- d. Documented record of unsatisfactory work on previous contracts with the Owner.

20-05 Interpretation of estimated proposal quantities. An estimate of quantities of work to be done and materials to be furnished under these specifications is given in the proposal. It is the result of careful calculations and is believed to be correct. It is given only as a basis for comparison of proposals and the award of the contract. The Owner does not expressly, or by implication, agree that the actual quantities involved will correspond exactly therewith; nor shall the bidder plead misunderstanding or deception because of such estimates of quantities, or of the character, location, or other conditions pertaining to the work. Payment to the Contractor will be made only for the actual quantities of work performed or materials furnished in accordance with the plans and specifications. It is understood that the quantities may be increased or decreased as hereinafter provided in the subsection 40-02 titled ALTERATION OF WORK AND QUANTITIES of Section 40 without in any way invalidating the unit bid prices.

Mobilization may be paid for as a separate bid item or included in the unit prices for all other items. Ensure the proposal form and contract documents indicate how mobilization is to be paid for.

20-06 Examination of plans, specifications, and site. The bidder is expected to carefully examine the site of the proposed work, the proposal, plans, specifications, and contract forms. Bidders shall satisfy themselves as to the character, quality, and quantities of work to be performed, materials to be furnished, and as to the requirements of the proposed contract. The submission of a proposal shall be prima facie evidence that the bidder has made such examination and is satisfied as to the conditions to be encountered in performing the work and as to the requirements of the proposed contract, plans, and specifications.

[Boring logs and other records of subsurface investigations and tests are available for inspection of bidders. It is understood and agreed that such subsurface information, whether included in the plans, specifications, or otherwise made available to the bidder, was

obtained and is intended for the Owner's design and estimating purposes only. Such information has been made available for the convenience of all bidders. It is further understood and agreed that each bidder is solely responsible for all assumptions, deductions, or conclusions which the bidder may make or obtain from his or her examination of the boring logs and other records of subsurface investigations and tests that are furnished by the Owner.]

20-07 Preparation of proposal. The bidder shall submit his or her proposal on the forms furnished by the Owner. All blank spaces in the proposal forms must be correctly filled in where indicated for each and every item for which a quantity is given. The bidder shall state the price (written in ink or typed) both in words and numerals for which they propose to do for each pay item furnished in the proposal. In case of conflict between words and numerals, the words, unless obviously incorrect, shall govern.

The bidder shall sign the proposal correctly and in ink. If the proposal is made by an individual, his or her name and post office address must be shown. If made by a partnership, the name and post office address of each member of the partnership must be shown. If made by a corporation, the person signing the proposal shall give the name of the state under the laws of which the corporation was chartered and the name, titles, and business address of the president, secretary, and the treasurer. Anyone signing a proposal as an agent shall file evidence of his or her authority to do so and that the signature is binding upon the firm or corporation.

20-08 Responsive and responsible bidder. A responsive bid conforms to all significant terms and conditions contained in the Sponsor's invitation for bid. It is the Sponsor's responsibility to decide if the exceptions taken by a bidder to the solicitation are material or not and the extent of deviation it is willing to accept.

A responsible bidder has the ability to perform successfully under the terms and conditions of a proposed procurement, as defined in 49 CFR § 18.36(b)(8). This includes such matters as Contractor integrity, compliance with public policy, record of past performance, and financial and technical resources.

20-09 Irregular proposals. Proposals shall be considered irregular for the following reasons:

- a. If the proposal is on a form other than that furnished by the Owner, or if the Owner's form is altered, or if any part of the proposal form is detached.
- b. If there are unauthorized additions, conditional or alternate pay items, or irregularities of any kind that make the proposal incomplete, indefinite, or otherwise ambiguous.
- c. If the proposal does not contain a unit price for each pay item listed in the proposal, except in the case of authorized alternate pay items, for which the bidder is not required to furnish a unit price.
- d. If the proposal contains unit prices that are obviously unbalanced.
- e. If the proposal is not accompanied by the proposal guaranty specified by the Owner.

The Owner reserves the right to reject any irregular proposal and the right to waive technicalities if such waiver is in the best interest of the Owner and conforms to local laws and ordinances pertaining to the letting of construction contracts.

20-10 Bid guarantee. Each separate proposal shall be accompanied by a certified check, or other specified acceptable collateral, in the amount specified in the proposal form. Such check, or collateral, shall be made payable to the Owner.

49 CFR part 18 provides that for contracts exceeding \$100,000, the Owner should use local bonding policy and requirements provided that the FAA has made a determination that the Government’s interest is adequately protected. If such a determination has not been made, the bid guarantee shall be equivalent to 5% of the bid price. It shall consist of a firm commitment such as a bid bond, certified check, or other negotiable instrument accompanying a bid as assurance that the bidder will, upon acceptance of the bid, execute such contractual documents as may be required within the time specified.

20-11 Delivery of proposal. Each proposal submitted shall be placed in a sealed envelope plainly marked with the project number, location of airport, and name and business address of the bidder on the outside. When sent by mail, preferably registered, the sealed proposal, marked as indicated above, should be enclosed in an additional envelope. No proposal will be considered unless received at the place specified in the advertisement or as modified by Addendum before the time specified for opening all bids. Proposals received after the bid opening time shall be returned to the bidder unopened.

20-12 Withdrawal or revision of proposals. A bidder may withdraw or revise (by withdrawal of one proposal and submission of another) a proposal provided that the bidder’s request for withdrawal is received by the Owner in writing or by [fax][email] before the time specified for opening bids. Revised proposals must be received at the place specified in the advertisement before the time specified for opening all bids.

20-13 Public opening of proposals. Proposals shall be opened, and read, publicly at the time and place specified in the advertisement. Bidders, their authorized agents, and other interested persons are invited to attend. Proposals that have been withdrawn (by written or telegraphic request) or received after the time specified for opening bids shall be returned to the bidder unopened.

20-14 Disqualification of bidders. A bidder shall be considered disqualified for any of the following reasons:

- a. Submitting more than one proposal from the same partnership, firm, or corporation under the same or different name.
- b. Evidence of collusion among bidders. Bidders participating in such collusion shall be disqualified as bidders for any future work of the Owner until any such participating bidder has been reinstated by the Owner as a qualified bidder.
- c. If the bidder is considered to be in “default” for any reason specified in the subsection 20-04 titled ISSUANCE OF PROPOSAL FORMS of this section.

END OF SECTION 20

Section 30 Award and Execution of Contract

30-01 Consideration of proposals. After the proposals are publicly opened and read, they will be compared on the basis of the summation of the products obtained by multiplying the estimated quantities shown in the proposal by the unit bid prices. If a bidder’s proposal contains a discrepancy between unit bid prices written in words and unit bid prices written in numbers, the unit price written in words shall govern.

Until the award of a contract is made, the Owner reserves the right to reject a bidder’s proposal for any of the following reasons:

a. If the proposal is irregular as specified in the subsection 20-09 titled IRREGULAR PROPOSALS of Section 20.

b. If the bidder is disqualified for any of the reasons specified in the subsection 20-14 titled DISQUALIFICATION OF BIDDERS of Section 20.

In addition, until the award of a contract is made, the Owner reserves the right to reject any or all proposals, waive technicalities, if such waiver is in the best interest of the Owner and is in conformance with applicable state and local laws or regulations pertaining to the letting of construction contracts; advertise for new proposals; or proceed with the work otherwise. All such actions shall promote the Owner’s best interests.

30-02 Award of contract. The award of a contract, if it is to be awarded, shall be made within [___] calendar days of the date specified for publicly opening proposals, unless otherwise specified herein.

The award of contract is recommended to be made within 30 days, but shall not exceed 120 days, where Airport Improvement Program (AIP) funds are not projected to be available within the 30 days of bid acceptance.

Award of the contract shall be made by the Owner to the lowest, qualified bidder whose proposal conforms to the cited requirements of the Owner.

For AIP contracts, unless otherwise specified in this subsection, no award shall be made until the FAA has concurred in the Owner’s recommendation to make such award and has approved the Owner’s proposed contract to the extent that such concurrence and approval are required by 49 CFR Part 18.

30-03 Cancellation of award. The Owner reserves the right to cancel the award without liability to the bidder, except return of proposal guaranty, at any time before a contract has been fully executed by all parties and is approved by the Owner in accordance with the subsection 30-07 titled APPROVAL OF CONTRACT of this section.

30-04 Return of proposal guaranty. All proposal guaranties, except those of the two lowest bidders, will be returned immediately after the Owner has made a comparison of bids as specified in the subsection 30-01 titled CONSIDERATION OF PROPOSALS of this section. Proposal guaranties of the two lowest bidders will be retained by the Owner until such time as an award is made, at which time, the unsuccessful bidder’s proposal guaranty will be returned. The successful bidder’s proposal guaranty will be returned as soon as the Owner receives the contract bonds as specified in the subsection 30-05 titled REQUIREMENTS OF CONTRACT BONDS of this section.

30-05 Requirements of contract bonds. At the time of the execution of the contract, the successful bidder shall furnish the Owner a surety bond or bonds that have been fully executed by the bidder and the surety guaranteeing the performance of the work and the payment of all legal debts that may be incurred by reason of the Contractor’s performance of the work. The surety and the form of the bond or bonds shall be acceptable to the Owner. Unless otherwise specified in this subsection, the surety bond or bonds shall be in a sum equal to the full amount of the contract.

49 CFR Part 18 provides that recipients of AIP contracts (that is, the Owner or Sponsor) awarded in excess of \$100,000 should use local bonding policy and requirements provided that the FAA has made a determination that the Government’s interest is adequately protected.

If such a determination has not been made, the Sponsor shall require separate performance and payment bonds in the full amount of the awarded contract. For AIP contracts awarded in an amount of \$100,000 or less, the Owner should specify bonding in accordance with local requirements.

30-06 Execution of contract. The successful bidder shall sign (execute) the necessary agreements for entering into the contract and return the signed contract to the Owner, along with the fully executed surety bond or bonds specified in the subsection 30-05 titled REQUIREMENTS OF CONTRACT BONDS of this section, within 15 calendar days from the date mailed or otherwise delivered to the successful bidder.

Required Federal Contract Provisions can be found at the following FAA website:

http://www.faa.gov/airports/aip/procurement/federal_contract_provisions/#requiredProvisions

30-07 Approval of contract. Upon receipt of the contract and contract bond or bonds that have been executed by the successful bidder, the Owner shall complete the execution of the contract in accordance with local laws or ordinances, and return the fully executed contract to the Contractor. Delivery of the fully executed contract to the Contractor shall constitute the Owner’s approval to be bound by the successful bidder’s proposal and the terms of the contract.

30-08 Failure to execute contract. Failure of the successful bidder to execute the contract and furnish an acceptable surety bond or bonds within the 15 calendar day period specified in the subsection 30-06 titled EXECUTION OF CONTRACT of this section shall be just cause for cancellation of the award and forfeiture of the proposal guaranty, not as a penalty, but as liquidation of damages to the Owner.

END OF SECTION 30

Intentionally Left Blank

Section 40 Scope of Work

40-01 Intent of contract. The intent of the contract is to provide for construction and completion, in every detail, of the work described. It is further intended that the Contractor shall furnish all labor, materials, equipment, tools, transportation, and supplies required to complete the work in accordance with the plans, specifications, and terms of the contract.

40-02 Alteration of work and quantities. The Owner reserves and shall have the right to make such alterations in the work as may be necessary or desirable to complete the work originally intended in an acceptable manner. Unless otherwise specified herein, the Engineer shall be and is hereby authorized to make such alterations in the work as may increase or decrease the originally awarded contract quantities, provided that the aggregate of such alterations does not change the total contract cost or the total cost of any major contract item by more than 25% (total cost being based on the unit prices and estimated quantities in the awarded contract). Alterations that do not exceed the 25% limitation shall not invalidate the contract nor release the surety, and the Contractor agrees to accept payment for such alterations as if the altered work had been a part of the original contract. These alterations that are for work within the general scope of the contract shall be covered by "Change Orders" issued by the Engineer. Change orders for altered work shall include extensions of contract time where, in the Engineer's opinion, such extensions are commensurate with the amount and difficulty of added work.

Should the aggregate amount of altered work exceed the 25% limitation hereinbefore specified, such excess altered work shall be covered by supplemental agreement. If the Owner and the Contractor are unable to agree on a unit adjustment for any contract item that requires a supplemental agreement, the Owner reserves the right to terminate the contract with respect to the item and make other arrangements for its completion.

Supplemental agreements shall be approved by the FAA and shall include all applicable Federal contract provisions for procurement and contracting required under AIP. Supplemental agreements shall also require consent of the Contractor's surety and separate performance and payment bonds.

**Refer to the following website for applicable Federal Contract Provisions for
procurement and contracting under AIP:**

www.faa.gov/airports/aip/procurement/federal_contract_provisions/

40-03 Omitted items. The Engineer may, in the Owner's best interest, omit from the work any contract item, except major contract items. Major contract items may be omitted by a supplemental agreement. Such omission of contract items shall not invalidate any other contract provision or requirement.

Should a contract item be omitted or otherwise ordered to be non-performed, the Contractor shall be paid for all work performed toward completion of such item prior to the date of the order to omit such item. Payment for work performed shall be in accordance with the subsection 90-04 titled PAYMENT FOR OMITTED ITEMS of Section 90.

40-04 Extra work. Should acceptable completion of the contract require the Contractor to perform an item of work for which no basis of payment has been provided in the original contract or previously issued change orders or supplemental agreements, the same shall be called "Extra Work." Extra Work

that is within the general scope of the contract shall be covered by written change order. Change orders for such Extra Work shall contain agreed unit prices for performing the change order work in accordance with the requirements specified in the order, and shall contain any adjustment to the contract time that, in the Engineer’s opinion, is necessary for completion of such Extra Work.

When determined by the Engineer to be in the Owner’s best interest, the Engineer may order the Contractor to proceed with Extra Work as provided in the subsection 90-05 titled PAYMENT FOR EXTRA WORK of Section 90. Extra Work that is necessary for acceptable completion of the project, but is not within the general scope of the work covered by the original contract shall be covered by a Supplemental Agreement as defined in the subsection 10-48 titled SUPPLEMENTAL AGREEMENT of Section 10.

Any claim for payment of Extra Work that is not covered by written agreement (change order or supplemental agreement) shall be rejected by the Owner.

All change orders, supplemental agreements, and contract modifications must eventually be reviewed by the FAA. Unless specifically requested by the FAA, the Sponsor does not have to obtain prior FAA approval for contract changes. However, if a Sponsor proceeds with contract changes without FAA approval, it is at the Sponsor’s risk.

40-05 Maintenance of traffic. It is the explicit intention of the contract that the safety of aircraft, as well as the Contractor’s equipment and personnel, is the most important consideration.

a. It is understood and agreed that the Contractor shall provide for the free and unobstructed movement of aircraft in the air operations areas (AOAs) of the airport with respect to his or her own operations and the operations of all subcontractors as specified in the subsection 80-04 titled LIMITATION OF OPERATIONS of Section 80. It is further understood and agreed that the Contractor shall provide for the uninterrupted operation of visual and electronic signals (including power supplies thereto) used in the guidance of aircraft while operating to, from, and upon the airport as specified in the subsection 70-15 titled CONTRACTOR’S RESPONSIBILITY FOR UTILITY SERVICE AND FACILITIES OF OTHERS in Section 70.

b. With respect to his or her own operations and the operations of all subcontractors, the Contractor shall provide marking, lighting, and other acceptable means of identifying personnel, equipment, vehicles, storage areas, and any work area or condition that may be hazardous to the operation of aircraft, fire-rescue equipment, or maintenance vehicles at the airport.

c. When the contract requires the maintenance of vehicular traffic on an existing road, street, or highway during the Contractor’s performance of work that is otherwise provided for in the contract, plans, and specifications, the Contractor shall keep such road, street, or highway open to all traffic and shall provide such maintenance as may be required to accommodate traffic. The Contractor shall be responsible for the repair of any damage caused by the Contractor’s equipment and personnel. The Contractor shall furnish, erect, and maintain barricades, warning signs, flag person, and other traffic control devices in reasonable conformity with the Manual on Uniform Traffic Control Devices (MUTCD) (<http://mutcd.fhwa.dot.gov/>), unless otherwise specified. The Contractor shall also construct and maintain in a safe condition any temporary connections necessary for ingress to and egress from abutting property or intersecting roads, streets or highways. [Unless otherwise specified herein, the Contractor will not be required to furnish snow removal for such existing road, street, or highway.]

40-06 Removal of existing structures. All existing structures encountered within the established lines, grades, or grading sections shall be removed by the Contractor, unless such existing structures are otherwise specified to be relocated, adjusted up or down, salvaged, abandoned in place, reused in the work or to remain in place. The cost of removing such existing structures shall not be measured or paid for directly, but shall be included in the various contract items.

Should the Contractor encounter an existing structure (above or below ground) in the work for which the disposition is not indicated on the plans, the Engineer shall be notified prior to disturbing such structure. The disposition of existing structures so encountered shall be immediately determined by the Engineer in accordance with the provisions of the contract.

Except as provided in the subsection 40-07 titled RIGHTS IN AND USE OF MATERIALS FOUND IN THE WORK of this section, it is intended that all existing materials or structures that may be encountered (within the lines, grades, or grading sections established for completion of the work) shall be used in the work as otherwise provided for in the contract and shall remain the property of the Owner when so used in the work.

The removal of large or complicated existing structures such as box-culverts, underground storage tanks, large underground electrical vaults, large reinforced concrete structures or foundations, or similar existing airport facilities should be provided for in separate technical specifications. Contract pay items should also be provided in the contract proposal to cover payment for such work.

40-07 Rights in and use of materials found in the work. Should the Contractor encounter any material such as (but not restricted to) sand, stone, gravel, slag, or concrete slabs within the established lines, grades, or grading sections, the use of which is intended by the terms of the contract to be either embankment or waste, the Contractor may at his or her option either:

- a. Use such material in another contract item, providing such use is approved by the Engineer and is in conformance with the contract specifications applicable to such use; or
- b. Remove such material from the site, upon written approval of the Engineer; or
- c. Use such material for the Contractor’s own temporary construction on site; or,
- d. Use such material as intended by the terms of the contract.

Should the Contractor wish to exercise option a., b., or c., the Contractor shall request the Engineer’s approval in advance of such use.

Should the Engineer approve the Contractor’s request to exercise option a., b., or c., the Contractor shall be paid for the excavation or removal of such material at the applicable contract price. The Contractor shall replace, at his or her own expense, such removed or excavated material with an agreed equal volume of material that is acceptable for use in constructing embankment, backfills, or otherwise to the extent that such replacement material is needed to complete the contract work. The Contractor shall not be charged for use of such material used in the work or removed from the site.

Should the Engineer approve the Contractor’s exercise of option a., the Contractor shall be paid, at the applicable contract price, for furnishing and installing such material in accordance with requirements of the contract item in which the material is used.

It is understood and agreed that the Contractor shall make no claim for delays by reason of his or her exercise of option a., b., or c.

The Contractor shall not excavate, remove, or otherwise disturb any material, structure, or part of a structure which is located outside the lines, grades, or grading sections established for the work, except where such excavation or removal is provided for in the contract, plans, or specifications.

40-08 Final cleanup. Upon completion of the work and before acceptance and final payment will be made, the Contractor shall remove from the site all machinery, equipment, surplus and discarded materials, rubbish, temporary structures, and stumps or portions of trees. The Contractor shall cut all brush and woods within the limits indicated and shall leave the site in a neat and presentable condition. Material cleared from the site and deposited on adjacent property will not be considered as having been disposed of satisfactorily, unless the Contractor has obtained the written permission of such property Owner.

END OF SECTION 40

Section 50 Control of Work

50-01 Authority of the Engineer. The Engineer shall decide any and all questions which may arise as to the quality and acceptability of materials furnished, work performed, and as to the manner of performance and rate of progress of the work. The Engineer shall decide all questions that may arise as to the interpretation of the specifications or plans relating to the work. The Engineer shall determine the amount and quality of the several kinds of work performed and materials furnished which are to be paid for the under contract.

The Engineer does not have the authority to accept pavements that do not conform to FAA specification requirements.

50-02 Conformity with plans and specifications. All work and all materials furnished shall be in reasonably close conformity with the lines, grades, grading sections, cross-sections, dimensions, material requirements, and testing requirements that are specified (including specified tolerances) in the contract, plans or specifications.

If the Engineer finds the materials furnished, work performed, or the finished product not within reasonably close conformity with the plans and specifications but that the portion of the work affected will, in his or her opinion, result in a finished product having a level of safety, economy, durability, and workmanship acceptable to the Owner, the Engineer will advise the Owner of his or her determination that the affected work be accepted and remain in place. In this event, the Engineer will document the determination and recommend to the Owner a basis of acceptance that will provide for an adjustment in the contract price for the affected portion of the work. The Engineer's determination and recommended contract price adjustments will be based on sound engineering judgment and such tests or retests of the affected work as are, in the Engineer's opinion, needed. Changes in the contract price shall be covered by contract change order or supplemental agreement as applicable.

If the Engineer finds the materials furnished, work performed, or the finished product are not in reasonably close conformity with the plans and specifications and have resulted in an unacceptable finished product, the affected work or materials shall be removed and replaced or otherwise corrected by and at the expense of the Contractor in accordance with the Engineer's written orders.

For the purpose of this subsection, the term "reasonably close conformity" shall not be construed as waiving the Contractor's responsibility to complete the work in accordance with the contract, plans, and specifications. The term shall not be construed as waiving the Engineer's responsibility to insist on strict compliance with the requirements of the contract, plans, and specifications during the Contractor's execution of the work, when, in the Engineer's opinion, such compliance is essential to provide an acceptable finished portion of the work.

For the purpose of this subsection, the term "reasonably close conformity" is also intended to provide the Engineer with the authority, after consultation with the FAA, to use sound engineering judgment in his or her determinations as to acceptance of work that is not in strict conformity, but will provide a finished product equal to or better than that intended by the requirements of the contract, plans and specifications.

For Airport Improvement Program (AIP) contracts, the Sponsor shall keep the FAA advised of the Engineer's determinations as to acceptance of work that is not in reasonably close conformity to the contract, plans, and specifications. Change

orders or supplemental agreements must be reviewed by the FAA. Unless specifically requested by the FAA, the Sponsor may not have to obtain prior FAA approval with contract changes. However, if a Sponsor proceeds with a contract change without FAA prior approval, it is at the Sponsor's risk. The Engineer may consult with the FAA for the determination to accept materials that are not in strict conformance with the specification requirements.

The Engineer will not be responsible for the Contractor's means, methods, techniques, sequences, or procedures of construction or the safety precautions incident thereto.

50-03 Coordination of contract, plans, and specifications. The contract, plans, specifications, and all referenced standards cited are essential parts of the contract requirements. A requirement occurring in one is as binding as though occurring in all. They are intended to be complementary and to describe and provide for a complete work. In case of discrepancy, calculated dimensions will govern over scaled dimensions; contract technical specifications shall govern over contract general provisions, plans, cited standards for materials or testing, and cited advisory circulars (ACs); contract general provisions shall govern over plans, cited standards for materials or testing, and cited ACs; plans shall govern over cited standards for materials or testing and cited ACs. If any paragraphs contained in the Special Provisions conflict with General Provisions or Technical Specifications, the Special Provisions shall govern.

From time to time, discrepancies within cited testing standards occur due to the timing of the change, edits, and/or replacement of the standards. If the Contractor discovers any apparent discrepancy within standard test methods, the Contractor shall immediately ask the Engineer for an interpretation and decision, and such decision shall be final.

LIST OF SPECIAL PROVISIONS

[]

The Engineer shall list the Special Provisions in the order of precedence.

50-04 Cooperation of Contractor. The Contractor will be supplied with [five] copies each of the plans and specifications. The Contractor shall have available on the work at all times one copy each of the plans and specifications. Additional copies of plans and specifications may be obtained by the Contractor for the cost of reproduction.

The Contractor shall give constant attention to the work to facilitate the progress thereof, and shall cooperate with the Engineer and his or her inspectors and with other contractors in every way possible. The Contractor shall have a competent superintendent on the work at all times who is fully authorized as his or her agent on the work. The superintendent shall be capable of reading and thoroughly understanding the plans and specifications and shall receive and fulfill instructions from the Engineer or his or her authorized representative.

50-05 Cooperation between contractors. The Owner reserves the right to contract for and perform other or additional work on or near the work covered by this contract.

When separate contracts are let within the limits of any one project, each Contractor shall conduct the work so as not to interfere with or hinder the progress of completion of the work being performed by other Contractors. Contractors working on the same project shall cooperate with each other as directed.

Each Contractor involved shall assume all liability, financial or otherwise, in connection with his or her contract and shall protect and save harmless the Owner from any and all damages or claims that may arise because of inconvenience, delays, or loss experienced because of the presence and operations of other Contractors working within the limits of the same project.

The Contractor shall arrange his or her work and shall place and dispose of the materials being used so as not to interfere with the operations of the other Contractors within the limits of the same project. The Contractor shall join his or her work with that of the others in an acceptable manner and shall perform it in proper sequence to that of the others.

50-06 Construction layout and stakes. The Engineer shall establish horizontal and vertical control only. The Contractor must establish all layout required for the construction of the work. Such stakes and markings as the Engineer may set for either their own or the Contractor’s guidance shall be preserved by the Contractor. In case of negligence on the part of the Contractor, or their employees, resulting in the destruction of such stakes or markings, an amount equal to the cost of replacing the same may be deducted from subsequent estimates due the Contractor at the discretion of the Engineer.

The Contractor will be required to furnish all lines, grades and measurements from the control points necessary for the proper execution and control of the work contracted for under these specifications.

The Contractor must give copies of survey notes to the Engineer for each area of construction and for each placement of material as specified to allow the Engineer to make periodic checks for conformance with plan grades, alignments and grade tolerances required by the applicable material specifications. All surveys must be provided to the Engineer prior to commencing work items that will cover or disturb the survey staking as set by the Contractor’s surveyor. Survey(s) and notes shall be provided in the following format(s): [____]. In the case of error, on the part of the Contractor, their surveyor, employees or subcontractors, resulting in established grades, alignment or grade tolerances that do not concur with those specified or shown on the plans, the Contractor is solely responsible for correction, removal, replacement and all associated costs at no additional cost to the Owner.

The Engineer should specify the desired format for electronic delivery of survey(s) in addition to hard copy(s). This should be applicable to all survey(s) throughout these specifications.

[No direct payment will be made, unless otherwise specified in contract documents, for this labor, materials, or other expenses. The cost shall be included in the price of the bid for the various items of the Contract.]

Construction Staking and Layout includes but is not limited to:

- a. Clearing and Grubbing perimeter staking
- b. Rough Grade slope stakes at 100-foot (30-m) stations
- c. Drainage Swales slope stakes and flow line blue tops at 50-foot (15-m) stations

Subgrade blue tops at 25-foot (7.5-m) stations and 25-foot (7.5-m) offset distance (maximum) for the following section locations:

- a. Runway – minimum five (5) per station
- b. Taxiways – minimum three (3) per station

- c. Holding apron areas – minimum three (3) per station
- d. Roadways – minimum three (3) per station

Base Course blue tops at 25-foot (7.5-m) stations and 25-foot (7.5-m) offset distance (maximum) for the following section locations:

- a. Runway – minimum five (5) per station
- b. Taxiways – minimum three (3) per station
- c. Holding apron areas – minimum three (3) per station

Pavement areas:

- a. Edge of Pavement hubs and tacks (for stringline by Contractor) at 100-foot (30-m) stations.
- b. Between Lifts at 25-foot (7.5-m) stations for the following section locations:
 - (1) Runways – each paving lane width
 - (2) Taxiways – each paving lane width
 - (3) Holding areas – each paving lane width
- c. After finish paving operations at 50-foot (15-m) stations:
 - (1) All paved areas – Edge of each paving lane prior to next paving lot
- d. Shoulder and safety area blue tops at 50-foot (15-m) stations and at all break points with maximum of 50-foot (15-m) offsets.
- e. Fence lines at 100-foot (30-m) stations minimum.
- f. Electrical and Communications System locations, lines and grades including but not limited to duct runs, connections, fixtures, signs, lights, Visual Approach Slope Indicators (VASIs), Precision Approach Path Indicators (PAPIs), Runway End Identifier Lighting (REIL), Wind Cones, Distance Markers (signs), pull boxes and manholes.
- g. Drain lines, cut stakes and alignment on 25-foot (7.5-m) stations, inlet and manholes.
- h. Painting and Striping layout (pinned with 1.5 inch PK nails) marked for paint Contractor. (All nails shall be removed after painting).
- i. Laser, or other automatic control devices, shall be checked with temporary control point or grade hub at a minimum of once per 400 feet (120 m) per pass (that is, paving lane).

The establishment of Survey Control and/or reestablishment of survey control shall be by a State Licensed Land Surveyor.

Controls and stakes disturbed or suspect of having been disturbed shall be checked and/or reset as directed by the Engineer without additional cost to the Owner.

50-07 Automatically controlled equipment. Whenever batching or mixing plant equipment is required to be operated automatically under the contract and a breakdown or malfunction of the automatic controls occurs, the equipment may be operated manually or by other methods for a period 48 hours following the breakdown or malfunction, provided this method of operations will produce results which conform to all other requirements of the contract.

50-08 Authority and duties of inspectors. Inspectors shall be authorized to inspect all work done and all material furnished. Such inspection may extend to all or any part of the work and to the preparation, fabrication, or manufacture of the materials to be used. Inspectors are not authorized to revoke, alter, or

waive any provision of the contract. Inspectors are not authorized to issue instructions contrary to the plans and specifications or to act as foreman for the Contractor.

Inspectors are authorized to notify the Contractor or his or her representatives of any failure of the work or materials to conform to the requirements of the contract, plans, or specifications and to reject such nonconforming materials in question until such issues can be referred to the Engineer for a decision.

50-09 Inspection of the work. All materials and each part or detail of the work shall be subject to inspection. The Engineer shall be allowed access to all parts of the work and shall be furnished with such information and assistance by the Contractor as is required to make a complete and detailed inspection.

If the Engineer requests it, the Contractor, at any time before acceptance of the work, shall remove or uncover such portions of the finished work as may be directed. After examination, the Contractor shall restore said portions of the work to the standard required by the specifications. Should the work thus exposed or examined prove acceptable, the uncovering, or removing, and the replacing of the covering or making good of the parts removed will be paid for as extra work; but should the work so exposed or examined prove unacceptable, the uncovering, or removing, and the replacing of the covering or making good of the parts removed will be at the Contractor's expense.

Any work done or materials used without supervision or inspection by an authorized representative of the Owner may be ordered removed and replaced at the Contractor's expense unless the Owner's representative failed to inspect after having been given reasonable notice in writing that the work was to be performed.

Should the contract work include relocation, adjustment, or any other modification to existing facilities, not the property of the (contract) Owner, authorized representatives of the Owners of such facilities shall have the right to inspect such work. Such inspection shall in no sense make any facility owner a party to the contract, and shall in no way interfere with the rights of the parties to this contract.

50-10 Removal of unacceptable and unauthorized work. All work that does not conform to the requirements of the contract, plans, and specifications will be considered unacceptable, unless otherwise determined acceptable by the Engineer as provided in the subsection 50-02 titled CONFORMITY WITH PLANS AND SPECIFICATIONS of this section.

Unacceptable work, whether the result of poor workmanship, use of defective materials, damage through carelessness, or any other cause found to exist prior to the final acceptance of the work, shall be removed immediately and replaced in an acceptable manner in accordance with the provisions of the subsection 70-14 titled CONTRACTOR'S RESPONSIBILITY FOR WORK of Section 70.

No removal work made under provision of this subsection shall be done without lines and grades having been established by the Engineer. Work done contrary to the instructions of the Engineer, work done beyond the lines shown on the plans or as established by the Engineer, except as herein specified, or any extra work done without authority, will be considered as unauthorized and will not be paid for under the provisions of the contract. Work so done may be ordered removed or replaced at the Contractor's expense.

Upon failure on the part of the Contractor to comply with any order of the Engineer made under the provisions of this subsection, the Engineer will have authority to cause unacceptable work to be remedied or removed and replaced and unauthorized work to be removed and to deduct the costs incurred by the Owner from any monies due or to become due the Contractor.

50-11 Load restrictions. The Contractor shall comply with all legal load restrictions in the hauling of materials on public roads beyond the limits of the work. A special permit will not relieve the Contractor of liability for damage that may result from the moving of material or equipment.

The operation of equipment of such weight or so loaded as to cause damage to structures or to any other type of construction will not be permitted. Hauling of materials over the base course or surface course under construction shall be limited as directed. No loads will be permitted on a concrete pavement, base, or structure before the expiration of the curing period. The Contractor shall be responsible for all damage done by his or her hauling equipment and shall correct such damage at his or her own expense.

The Engineer should check to see if the on-site project access roads and haul routes will support the construction equipment. Particular attention should be paid when sections of existing airfield pavements will be used as haul routes to assure that existing pavements are not overloaded. If questionable, the Engineer should add appropriate provisions to preserve or rehabilitate any access roads or haul routes to the bid documents. Various measures such as videotape or photographs may be required to document existing conditions prior to start of construction. Construction traffic should be kept off airport pavements to the extent possible.

50-12 Maintenance during construction. The Contractor shall maintain the work during construction and until the work is accepted. Maintenance shall constitute continuous and effective work prosecuted day by day, with adequate equipment and forces so that the work is maintained in satisfactory condition at all times.

In the case of a contract for the placing of a course upon a course or subgrade previously constructed, the Contractor shall maintain the previous course or subgrade during all construction operations.

All costs of maintenance work during construction and before the project is accepted shall be included in the unit prices bid on the various contract items, and the Contractor will not be paid an additional amount for such work.

50-13 Failure to maintain the work. Should the Contractor at any time fail to maintain the work as provided in the subsection 50-12 titled MAINTENANCE DURING CONSTRUCTION of this section, the Engineer shall immediately notify the Contractor of such noncompliance. Such notification shall specify a reasonable time within which the Contractor shall be required to remedy such unsatisfactory maintenance condition. The time specified will give due consideration to the exigency that exists.

Should the Contractor fail to respond to the Engineer’s notification, the Owner may suspend any work necessary for the Owner to correct such unsatisfactory maintenance condition, depending on the exigency that exists. Any maintenance cost incurred by the Owner, shall be deducted from monies due or to become due the Contractor.

50-14 Partial acceptance. If at any time during the execution of the project the Contractor substantially completes a usable unit or portion of the work, the occupancy of which will benefit the Owner, the Contractor may request the Engineer to make final inspection of that unit. If the Engineer finds upon inspection that the unit has been satisfactorily completed in compliance with the contract, the Engineer may accept it as being complete, and the Contractor may be relieved of further responsibility for that unit. Such partial acceptance and beneficial occupancy by the Owner shall not void or alter any provision of the contract.

50-15 Final acceptance. Upon due notice from the Contractor of presumptive completion of the entire project, the Engineer and Owner will make an inspection. If all construction provided for and contemplated by the contract is found to be complete in accordance with the contract, plans, and specifications, such inspection shall constitute the final inspection. The Engineer shall notify the Contractor in writing of final acceptance as of the date of the final inspection.

If, however, the inspection discloses any work, in whole or in part, as being unsatisfactory, the Engineer will give the Contractor the necessary instructions for correction of same and the Contractor shall immediately comply with and execute such instructions. Upon correction of the work, another inspection will be made which shall constitute the final inspection, provided the work has been satisfactorily completed. In such event, the Engineer will make the final acceptance and notify the Contractor in writing of this acceptance as of the date of final inspection.

50-16 Claims for adjustment and disputes. If for any reason the Contractor deems that additional compensation is due for work or materials not clearly provided for in the contract, plans, or specifications or previously authorized as extra work, the Contractor shall notify the Engineer in writing of his or her intention to claim such additional compensation before the Contractor begins the work on which the Contractor bases the claim. If such notification is not given or the Engineer is not afforded proper opportunity by the Contractor for keeping strict account of actual cost as required, then the Contractor hereby agrees to waive any claim for such additional compensation. Such notice by the Contractor and the fact that the Engineer has kept account of the cost of the work shall not in any way be construed as proving or substantiating the validity of the claim. When the work on which the claim for additional compensation is based has been completed, the Contractor shall, within 10 calendar days, submit a written claim to the Engineer who will present it to the Owner for consideration in accordance with local laws or ordinances.

Nothing in this subsection shall be construed as a waiver of the Contractor's right to dispute final payment based on differences in measurements or computations.

[**50-17 Cost reduction incentive.** The provisions of this subsection will apply only to contracts awarded to the lowest bidder pursuant to competitive bidding.

On projects with original contract amounts in excess of \$100,000, the Contractor may submit to the Engineer, in writing, proposals for modifying the plans, specifications or other requirements of the contract for the sole purpose of reducing the cost of construction. The cost reduction proposal shall not impair, in any manner, the essential functions or characteristics of the project, including but not limited to service life, economy of operation, ease of maintenance, desired appearance, design and safety standards. This provision shall not apply unless the proposal submitted is specifically identified by the Contractor as being presented for consideration as a value engineering proposal.

Not eligible for cost reduction proposals are changes in the basic design of a pavement type, runway and taxiway lighting, visual aids, hydraulic capacity of drainage facilities, or changes in grade or alignment that reduce the geometric standards of the project.

As a minimum, the following information shall be submitted by the Contractor with each proposal:

a. A description of both existing contract requirements for performing the work and the proposed changes, with a discussion of the comparative advantages and disadvantages of each.

b. An itemization of the contract requirements that must be changed if the proposal is adopted.

c. A detailed estimate of the cost of performing the work under the existing contract and under the proposed changes.

d. A statement of the time by which a change order adopting the proposal must be issued.

e. A statement of the effect adoption of the proposal will have on the time for completion of the contract.

f. The contract items of work affected by the proposed changes, including any quantity variation attributable to them.

The Contractor may withdraw, in whole or in part, any cost reduction proposal not accepted by the Engineer, within the period specified in the proposal. The provisions of this subsection shall not be construed to require the Engineer to consider any cost reduction proposal that may be submitted.

The Contractor shall continue to perform the work in accordance with the requirements of the contract until a change order incorporating the cost reduction proposal has been issued. If a change order has not been issued by the date upon which the Contractor's cost reduction proposal specifies that a decision should be made, or such other date as the Contractor may subsequently have requested in writing, such cost reduction proposal shall be deemed rejected.

The Engineer shall be the sole judge of the acceptability of a cost reduction proposal and of the estimated net savings from the adoption of all or any part of such proposal. In determining the estimated net savings, the Engineer may disregard the contract bid prices if, in the Engineer's judgment such prices do not represent a fair measure of the value of the work to be performed or deleted.

The Owner may require the Contractor to share in the Owner's costs of investigating a cost reduction proposal submitted by the Contractor as a condition of considering such proposal. Where such a condition is imposed, the Contractor shall acknowledge acceptance of it in writing. Such acceptance shall constitute full authority for the Owner to deduct the cost of investigating a cost reduction proposal from amounts payable to the Contractor under the contract.

If the Contractor's cost reduction proposal is accepted in whole or in part, such acceptance will be by a contract change order that shall specifically state that it is executed pursuant to this subsection. Such change order shall incorporate the changes in the plans and specifications which are necessary to permit the cost reduction proposal or such part of it as has been accepted and shall include any conditions upon which the Engineer's approval is based. The change order shall also set forth the estimated net savings attributable to the cost reduction proposal. The net savings shall be determined as the difference in costs between the original contract costs for the involved work items and the costs occurring as a result of the proposed change. The change order shall also establish the net savings agreed upon and shall provide for adjustment in the contract price

that will divide the net savings equally between the Contractor and the Owner.

The Contractor's 50% share of the net savings shall constitute full compensation to the Contractor for the cost reduction proposal and the performance of the work.

Acceptance of the cost-reduction proposal and performance of the cost-reduction work shall not extend the time of completion of the contract unless specifically provided for in the contract change order.]

Use of this subsection in project specifications is at the option of the Owner/Engineer; however, FAA concurrence must be obtained when the subsection is included.

This subsection should not be incorporated into project specifications if State or local laws prohibit its use or if the project does not lend itself to value engineering.

END OF SECTION 50

Intentionally Left Blank

Section 60 Control of Materials

60-01 Source of supply and quality requirements. The materials used in the work shall conform to the requirements of the contract, plans, and specifications. Unless otherwise specified, such materials that are manufactured or processed shall be new (as compared to used or reprocessed).

In order to expedite the inspection and testing of materials, the Contractor shall furnish complete statements to the Engineer as to the origin, composition, and manufacture of all materials to be used in the work. Such statements shall be furnished promptly after execution of the contract but, in all cases, prior to delivery of such materials.

For projects funded under the Airport Improvement Program (AIP), Contractor shall supply steel and manufactured products that conform to the Buy American provisions established under 49 USC Section 50101 as follows: “Steel products must be 100% U.S. domestic product Manufactured Products. Preference shall be given to products that are 100% manufactured and assembled in the U.S. Manufactured products not meeting the 100% U.S. domestic preference may only be used on the project if the FAA has officially granted a permissible waiver to Buy American Preferences. Submittals for all manufactured products must include certification of compliance with Buy American requirements as established under 49 USC Section 50101. Submittal must include sufficient information to confirm compliance or submittal will be returned with no action.”

Federal Contract Clauses are available at the following FAA website:

http://www.faa.gov/airports/aip/procurement/federal_contract_provisions/

At the Engineer’s option, materials may be approved at the source of supply before delivery is stated. If it is found after trial that sources of supply for previously approved materials do not produce specified products, the Contractor shall furnish materials from other sources.

The Contractor shall furnish airport lighting equipment that conforms to the requirements of cited materials specifications. In addition, where an FAA specification for airport lighting equipment is cited in the plans or specifications, the Contractor shall furnish such equipment that is:

- a.** Listed in advisory circular (AC) 150/5345-53, Airport Lighting Equipment Certification Program, and Addendum that is in effect on the date of advertisement; and,
- b.** Produced by the manufacturer as listed in the Addendum cited above for the certified equipment part number.

The following airport lighting equipment is required for this contract and is to be furnished by the Contractor in accordance with the requirements of this subsection: [____].

The Engineer shall list all airport lighting equipment required for the contract and to be furnished by the Contractor. As a minimum, the Engineer will include the following information for each item:

- **Equipment name**
- **Cited FAA specifications**
- **Effective AC or approval letter for equipment and manufacturer**

The design Engineer shall furnish the above listing after having conformed the list to those specifications cited on the plans or in the technical specifications. Both the individual FAA material specifications and the AC 150/5345-53, Airport Lighting Equipment Certification Program, should be listed to indicate the edition that is effective on the date the contract is advertised.

60-02 Samples, tests, and cited specifications. Unless otherwise designated, all materials used in the work shall be inspected, tested, and approved by the Engineer before incorporation in the work. Any work in which untested materials are used without approval or written permission of the Engineer shall be performed at the Contractor’s risk. Materials found to be unacceptable and unauthorized will not be paid for and, if directed by the Engineer, shall be removed at the Contractor’s expense.

Unless otherwise designated, quality assurance tests in accordance with the cited standard methods of ASTM, American Association of State Highway and Transportation Officials (AASHTO), Federal Specifications, Commercial Item Descriptions, and all other cited methods, which are current on the date of advertisement for bids, will be made by and at the expense of the Engineer.

The testing organizations performing on-site quality assurance field tests shall have copies of all referenced standards on the construction site for use by all technicians and other personnel, including the Contractor’s representative at his or her request. Unless otherwise designated, samples for quality assurance will be taken by a qualified representative of the Engineer. All materials being used are subject to inspection, test, or rejection at any time prior to or during incorporation into the work. Copies of all tests will be furnished to the Contractor’s representative at their request after review and approval of the Engineer.

The Contractor shall employ a testing organization to perform all Contractor required Quality Control tests. The Contractor shall submit to the Engineer resumes on all testing organizations and individual persons who will be performing the tests. The Engineer will determine if such persons are qualified. All the test data shall be reported to the Engineer after the results are known. A legible, handwritten copy of all test data shall be given to the Engineer daily, along with printed reports, in an approved format, on a weekly basis. After completion of the project, and prior to final payment, the Contractor shall submit a final report to the Engineer showing all test data reports, plus an analysis of all results showing ranges, averages, and corrective action taken on all failing tests.

The Engineer may wish to include a requirement that all test data from the Contractor be furnished in electronic format. The Engineer shall provide detailed specifications to specify the acceptable format to be used.

60-03 Certification of compliance. The Engineer may permit the use, prior to sampling and testing, of certain materials or assemblies when accompanied by manufacturer’s certificates of compliance stating that such materials or assemblies fully comply with the requirements of the contract. The certificate shall be signed by the manufacturer. Each lot of such materials or assemblies delivered to the work must be accompanied by a certificate of compliance in which the lot is clearly identified.

Materials or assemblies used on the basis of certificates of compliance may be sampled and tested at any time and if found not to be in conformity with contract requirements will be subject to rejection whether in place or not.

The form and distribution of certificates of compliance shall be as approved by the Engineer.

When a material or assembly is specified by “brand name or equal” and the Contractor elects to furnish the specified “brand name,” the Contractor shall be required to furnish the manufacturer’s certificate of compliance for each lot of such material or assembly delivered to the work. Such certificate of compliance shall clearly identify each lot delivered and shall certify as to:

- a. Conformance to the specified performance, testing, quality or dimensional requirements; and,
- b. Suitability of the material or assembly for the use intended in the contract work.

Should the Contractor propose to furnish an “or equal” material or assembly, the Contractor shall furnish the manufacturer’s certificates of compliance as hereinbefore described for the specified brand name material or assembly. However, the Engineer shall be the sole judge as to whether the proposed “or equal” is suitable for use in the work.

The Engineer reserves the right to refuse permission for use of materials or assemblies on the basis of certificates of compliance.

When specifications are not available and it is necessary to specify a material or assembly by “Brand Name or approved Equal,” the Engineer must provide at least two vendors / suppliers who can meet the requirements.

60-04 Plant inspection. The Engineer or his or her authorized representative may inspect, at its source, any specified material or assembly to be used in the work. Manufacturing plants may be inspected from time to time for the purpose of determining compliance with specified manufacturing methods or materials to be used in the work and to obtain samples required for acceptance of the material or assembly.

Should the Engineer conduct plant inspections, the following conditions shall exist:

- a. The Engineer shall have the cooperation and assistance of the Contractor and the producer with whom the Engineer has contracted for materials.
- b. The Engineer shall have full entry at all reasonable times to such parts of the plant that concern the manufacture or production of the materials being furnished.
- c. If required by the Engineer, the Contractor shall arrange for adequate office or working space that may be reasonably needed for conducting plant inspections. Office or working space should be conveniently located with respect to the plant.

It is understood and agreed that the Owner shall have the right to retest any material that has been tested and approved at the source of supply after it has been delivered to the site. The Engineer shall have the

right to reject only material which, when retested, does not meet the requirements of the contract, plans, or specifications.

60-05 Engineer’s field office. [The Contractor shall furnish for the duration of the project one building for the use of the field Engineers and inspectors, as a field office. This facility shall be an approved weatherproof building meeting the current State Highway Specifications (for example, Class I Field Office or Type C Structure). This building shall be located conveniently near to the construction and shall be separate from any building used by the Contractor. The Contractor shall furnish[facsimile (FAX) machine, photocopy machine, water, sanitary facilities, heat, air conditioning, and electricity]. The Contractor and the Contractor’s superintendent shall provide all reasonable facilities to enable to the Engineer to inspect the workmanship and materials used into the work.] [An Engineer’s field office is not required.]

Requirements for specifying the Engineer’s field office should be coordinated with the Owner and the Engineer since such facilities are not needed for all airport construction projects. If a field office is required for the project, a separate line item for payment may be established.

60-06 Storage of materials. Materials shall be so stored as to assure the preservation of their quality and fitness for the work. Stored materials, even though approved before storage, may again be inspected prior to their use in the work. Stored materials shall be located to facilitate their prompt inspection. The Contractor shall coordinate the storage of all materials with the Engineer. Materials to be stored on airport property shall not create an obstruction to air navigation nor shall they interfere with the free and unobstructed movement of aircraft. Unless otherwise shown on the plans, the storage of materials and the location of the Contractor’s plant and parked equipment or vehicles shall be as directed by the Engineer. Private property shall not be used for storage purposes without written permission of the Owner or lessee of such property. The Contractor shall make all arrangements and bear all expenses for the storage of materials on private property. Upon request, the Contractor shall furnish the Engineer a copy of the property Owner’s permission.

All storage sites on private or airport property shall be restored to their original condition by the Contractor at his or her entire expense, except as otherwise agreed to (in writing) by the Owner or lessee of the property.

60-07 Unacceptable materials. Any material or assembly that does not conform to the requirements of the contract, plans, or specifications shall be considered unacceptable and shall be rejected. The Contractor shall remove any rejected material or assembly from the site of the work, unless otherwise instructed by the Engineer.

Rejected material or assembly, the defects of which have been corrected by the Contractor, shall not be returned to the site of the work until such time as the Engineer has approved its use in the work.

60-08 Owner furnished materials. The Contractor shall furnish all materials required to complete the work, except those specified, if any, to be furnished by the Owner. Owner-furnished materials shall be made available to the Contractor at the location specified.

All costs of handling, transportation from the specified location to the site of work, storage, and installing Owner-furnished materials shall be included in the unit price bid for the contract item in which such Owner-furnished material is used.

After any Owner-furnished material has been delivered to the location specified, the Contractor shall be responsible for any demurrage, damage, loss, or other deficiencies that may occur during the Contractor's handling, storage, or use of such Owner-furnished material. The Owner will deduct from any monies due or to become due the Contractor any cost incurred by the Owner in making good such loss due to the Contractor's handling, storage, or use of Owner-furnished materials.

END OF SECTION 60

Intentionally Left Blank

Section 70 Legal Regulations and Responsibility to Public

70-01 Laws to be observed. The Contractor shall keep fully informed of all Federal and state laws, all local laws, ordinances, and regulations and all orders and decrees of bodies or tribunals having any jurisdiction or authority, which in any manner affect those engaged or employed on the work, or which in any way affect the conduct of the work. The Contractor shall at all times observe and comply with all such laws, ordinances, regulations, orders, and decrees; and shall protect and indemnify the Owner and all his or her officers, agents, or servants against any claim or liability arising from or based on the violation of any such law, ordinance, regulation, order, or decree, whether by the Contractor or the Contractor's employees.

70-02 Permits, licenses, and taxes. The Contractor shall procure all permits and licenses, pay all charges, fees, and taxes, and give all notices necessary and incidental to the due and lawful execution of the work.

70-03 Patented devices, materials, and processes. If the Contractor is required or desires to use any design, device, material, or process covered by letters of patent or copyright, the Contractor shall provide for such use by suitable legal agreement with the Patentee or Owner. The Contractor and the surety shall indemnify and hold harmless the Owner, any third party, or political subdivision from any and all claims for infringement by reason of the use of any such patented design, device, material or process, or any trademark or copyright, and shall indemnify the Owner for any costs, expenses, and damages which it may be obliged to pay by reason of an infringement, at any time during the execution or after the completion of the work.

70-04 Restoration of surfaces disturbed by others. The Owner reserves the right to authorize the construction, reconstruction, or maintenance of any public or private utility service, FAA or National Oceanic and Atmospheric Administration (NOAA) facility, or a utility service of another government agency at any time during the progress of the work. To the extent that such construction, reconstruction, or maintenance has been coordinated with the Owner, such authorized work (by others) is indicated as follows: [____].

List all authorized work and include the following information as a minimum:

- **Owner (Utility or Other Facility)**
- **Location (See Plan Sheet No.)**
- **Person to Contact (Name, Title, Address and Phone)**

Except as listed above, the Contractor shall not permit any individual, firm, or corporation to excavate or otherwise disturb such utility services or facilities located within the limits of the work without the written permission of the Engineer.

Should the Owner of public or private utility service, FAA, or NOAA facility, or a utility service of another government agency be authorized to construct, reconstruct, or maintain such utility service or facility during the progress of the work, the Contractor shall cooperate with such Owners by arranging and performing the work in this contract to facilitate such construction, reconstruction or maintenance by others whether or not such work by others is listed above. When ordered as extra work by the Engineer,

the Contractor shall make all necessary repairs to the work which are due to such authorized work by others, unless otherwise provided for in the contract, plans, or specifications. It is understood and agreed that the Contractor shall not be entitled to make any claim for damages due to such authorized work by others or for any delay to the work resulting from such authorized work.

The intention of this subsection is to provide for both foreseen and unforeseen work by Owners of utility services and other facilities on the airport. Such Owners have legal rights and obligations under some form of easement with the airport Owner. Every effort should be made, during the initial design phase, to coordinate the proposed contract work with such Owners so that their rights and obligations are provided for in the contract, plans, and specifications. Where there is conflict between an existing utility service (or facility) and the proposed work or where the Owner of the utility or facility must perform work to construct, reconstruct, or maintain the utility or facility, such work should be listed in this subsection and provided for in the contract, plans and specifications. In addition, all known utility services or facilities that are within the limits of the proposed work should be shown on the plans (regardless of whether or not there is a conflict of work to be performed by the Owner) with enough detailed information to indicate the lack of conflicts.

70-05 Federal aid participation. For Airport Improvement Program (AIP) contracts, the United States Government has agreed to reimburse the Owner for some portion of the contract costs. Such reimbursement is made from time to time upon the Owner’s request to the FAA. In consideration of the United States Government’s (FAA’s) agreement with the Owner, the Owner has included provisions in this contract pursuant to the requirements of Title 49 of the USC and the Rules and Regulations of the FAA that pertain to the work.

As required by the USC, the contract work is subject to the inspection and approval of duly authorized representatives of the FAA Administrator, and is further subject to those provisions of the rules and regulations that are cited in the contract, plans, or specifications.

No requirement of the USC, the rules and regulations implementing the USC, or this contract shall be construed as making the Federal Government a party to the contract nor will any such requirement interfere, in any way, with the rights of either party to the contract.

70-06 Sanitary, health, and safety provisions. The Contractor shall provide and maintain in a neat, sanitary condition such accommodations for the use of his or her employees as may be necessary to comply with the requirements of the state and local Board of Health, or of other bodies or tribunals having jurisdiction.

Attention is directed to Federal, state, and local laws, rules and regulations concerning construction safety and health standards. The Contractor shall not require any worker to work in surroundings or under conditions that are unsanitary, hazardous, or dangerous to his or her health or safety.

70-07 Public convenience and safety. The Contractor shall control his or her operations and those of his or her subcontractors and all suppliers, to assure the least inconvenience to the traveling public. Under all circumstances, safety shall be the most important consideration.

The Contractor shall maintain the free and unobstructed movement of aircraft and vehicular traffic with respect to his or her own operations and those of his or her subcontractors and all suppliers in accordance with the subsection 40-05 titled MAINTENANCE OF TRAFFIC of Section 40 hereinbefore specified and

shall limit such operations for the convenience and safety of the traveling public as specified in the subsection 80-04 titled LIMITATION OF OPERATIONS of Section 80 hereinafter.

70-08 Barricades, warning signs, and hazard markings. The Contractor shall furnish, erect, and maintain all barricades, warning signs, and markings for hazards necessary to protect the public and the work. When used during periods of darkness, such barricades, warning signs, and hazard markings shall be suitably illuminated. Unless otherwise specified, barricades, warning signs, and markings for hazards that are in the air operations area (AOAs) shall be a maximum of 18 inches (0.5 m) high. Unless otherwise specified, barricades shall be spaced not more than 4 feet (1.2 m) apart. Barricades, warning signs, and markings shall be paid for under subsection 40-05.

For vehicular and pedestrian traffic, the Contractor shall furnish, erect, and maintain barricades, warning signs, lights and other traffic control devices in reasonable conformity with the Manual on Uniform Traffic Control Devices.

When the work requires closing an air operations area of the airport or portion of such area, the Contractor shall furnish, erect, and maintain temporary markings and associated lighting conforming to the requirements of advisory circular (AC) 150/5340-1, Standards for Airport Markings.

The Contractor shall furnish, erect, and maintain markings and associated lighting of open trenches, excavations, temporary stock piles, and the Contractor’s parked construction equipment that may be hazardous to the operation of emergency fire-rescue or maintenance vehicles on the airport in reasonable conformance to AC 150/5370-2, Operational Safety on Airports During Construction.

The Contractor shall identify each motorized vehicle or piece of construction equipment in reasonable conformance to AC 150/5370-2.

The Contractor shall furnish and erect all barricades, warning signs, and markings for hazards prior to commencing work that requires such erection and shall maintain the barricades, warning signs, and markings for hazards until their removal is directed by the Engineer.

Open-flame type lights shall not be permitted.

To ensure that the contract contains current information as to barricades and warning signs, marking of paved areas on airports, and safety on airports during construction, the latest editions of the cited publications should be specified. Some Owners will prefer to extract the provisions of the cited publications that are applicable to the contract specifications being prepared.

70-09 Use of explosives. When the use of explosives is necessary for the execution of the work, the Contractor shall exercise the utmost care not to endanger life or property, including new work. The Contractor shall be responsible for all damage resulting from the use of explosives.

All explosives shall be stored in a secure manner in compliance with all laws and ordinances, and all such storage places shall be clearly marked. Where no local laws or ordinances apply, storage shall be provided satisfactory to the Engineer and, in general, not closer than 1,000 feet (300 m) from the work or from any building, road, or other place of human occupancy.

The Contractor shall notify each property Owner and public utility company having structures or facilities in proximity to the site of the work of his or her intention to use explosives. Such notice shall be given sufficiently in advance to enable them to take such steps as they may deem necessary to protect their property from injury.

The use of electrical blasting caps shall not be permitted on or within 1,000 feet (300 m) of the airport property.

70-10 Protection and restoration of property and landscape. The Contractor shall be responsible for the preservation of all public and private property, and shall protect carefully from disturbance or damage all land monuments and property markers until the Engineer has witnessed or otherwise referenced their location and shall not move them until directed.

The Contractor shall be responsible for all damage or injury to property of any character, during the execution of the work, resulting from any act, omission, neglect, or misconduct in manner or method of executing the work, or at any time due to defective work or materials, and said responsibility shall not be released until the project has been completed and accepted.

When or where any direct or indirect damage or injury is done to public or private property by or on account of any act, omission, neglect, or misconduct in the execution of the work, or in consequence of the non-execution thereof by the Contractor, the Contractor shall restore, at his or her own expense, such property to a condition similar or equal to that existing before such damage or injury was done, by repairing, or otherwise restoring as may be directed, or the Contractor shall make good such damage or injury in an acceptable manner.

70-11 Responsibility for damage claims. The Contractor shall indemnify and save harmless the Engineer and the Owner and their officers, and employees from all suits, actions, or claims, of any character, brought because of any injuries or damage received or sustained by any person, persons, or property on account of the operations of the Contractor; or on account of or in consequence of any neglect in safeguarding the work; or through use of unacceptable materials in constructing the work; or because of any act or omission, neglect, or misconduct of said Contractor; or because of any claims or amounts recovered from any infringements of patent, trademark, or copyright; or from any claims or amounts arising or recovered under the "Workmen's Compensation Act," or any other law, ordinance, order, or decree. Money due the Contractor under and by virtue of his or her contract considered necessary by the Owner for such purpose may be retained for the use of the Owner or, in case no money is due, his or her surety may be held until such suits, actions, or claims for injuries or damages shall have been settled and suitable evidence to that effect furnished to the Owner, except that money due the Contractor will not be withheld when the Contractor produces satisfactory evidence that he or she is adequately protected by public liability and property damage insurance.

70-12 Third party beneficiary clause. It is specifically agreed between the parties executing the contract that it is not intended by any of the provisions of any part of the contract to create for the public or any member thereof, a third party beneficiary or to authorize anyone not a party to the contract to maintain a suit for personal injuries or property damage pursuant to the terms or provisions of the contract.

70-13 Opening sections of the work to traffic. Should it be necessary for the Contractor to complete portions of the contract work for the beneficial occupancy of the Owner prior to completion of the entire contract, such "phasing" of the work shall be specified herein and indicated on the plans. When so specified, the Contractor shall complete such portions of the work on or before the date specified or as otherwise specified. The Contractor shall make his or her own estimate of the difficulties involved in arranging the work to permit such beneficial occupancy by the Owner as described below:

[].

The Engineer shall identify phase/description(s) and provide the following minimum information for each phase/description(s):

- **Phase or Description**
- **Required Date or Sequence of Owner’s Beneficial Occupancy**
- **Work Shown on Plan Sheet**

The Owner’s requirements for “phasing” the work should be coordinated with agencies having an interest in operational capability of the airport. Such coordination must be accomplished at the earliest possible time. See AC 150/5300-9, Predesign, Prebid, and Preconstruction Conferences for Airport Grant Projects, for more information.

The Engineer should include a section on airport safety in the bid documents that has, as a minimum, the information contained in AC 150/5370-2, Operational Safety on Airports During Construction; the Construction Safety and Phasing Plan (CSPP); and any additional requirements as a result of a Safety Risk Management (SRM) review, if required.

Upon completion of any portion of the work listed above, such portion shall be accepted by the Owner in accordance with the subsection 50-14 titled PARTIAL ACCEPTANCE of Section 50.

No portion of the work may be opened by the Contractor for public use until ordered by the Engineer in writing. Should it become necessary to open a portion of the work to public traffic on a temporary or intermittent basis, such openings shall be made when, in the opinion of the Engineer, such portion of the work is in an acceptable condition to support the intended traffic. Temporary or intermittent openings are considered to be inherent in the work and shall not constitute either acceptance of the portion of the work so opened or a waiver of any provision of the contract. Any damage to the portion of the work so opened that is not attributable to traffic which is permitted by the Owner shall be repaired by the Contractor at his or her expense.

The Contractor shall make his or her own estimate of the inherent difficulties involved in completing the work under the conditions herein described and shall not claim any added compensation by reason of delay or increased cost due to opening a portion of the contract work.

Contractor shall be required to conform to safety standards contained AC 150/5370-2 (see Special Provisions).

Contractor shall refer to the approved Construction Safety Phasing Plan (CSPP) to identify barricade requirements and other safety requirements prior to opening up sections of work to traffic.

70-14 Contractor’s responsibility for work. Until the Engineer’s final written acceptance of the entire completed work, excepting only those portions of the work accepted in accordance with the subsection 50-14 titled PARTIAL ACCEPTANCE of Section 50, the Contractor shall have the charge and care thereof and shall take every precaution against injury or damage to any part due to the action of the elements or from any other cause, whether arising from the execution or from the non-execution of the work. The Contractor shall rebuild, repair, restore, and make good all injuries or damages to any portion of the work occasioned by any of the above causes before final acceptance and shall bear the expense thereof except damage to the work due to unforeseeable causes beyond the control of and without the fault or negligence of the Contractor, including but not restricted to acts of God such as earthquake, tidal

wave, tornado, hurricane or other cataclysmic phenomenon of nature, or acts of the public enemy or of government authorities.

If the work is suspended for any cause whatever, the Contractor shall be responsible for the work and shall take such precautions necessary to prevent damage to the work. The Contractor shall provide for normal drainage and shall erect necessary temporary structures, signs, or other facilities at his or her expense. During such period of suspension of work, the Contractor shall properly and continuously maintain in an acceptable growing condition all living material in newly established planting, seeding, and sodding furnished under the contract, and shall take adequate precautions to protect new tree growth and other important vegetative growth against injury.

70-15 Contractor’s responsibility for utility service and facilities of others. As provided in the subsection 70-04 titled RESTORATION OF SURFACES DISTURBED BY OTHERS of this section, the Contractor shall cooperate with the Owner of any public or private utility service, FAA or NOAA, or a utility service of another government agency that may be authorized by the Owner to construct, reconstruct or maintain such utility services or facilities during the progress of the work. In addition, the Contractor shall control their operations to prevent the unscheduled interruption of such utility services and facilities.

To the extent that such public or private utility services, FAA, or NOAA facilities, or utility services of another governmental agency are known to exist within the limits of the contract work, the approximate locations have been indicated on the plans and the Owners are indicated as follows:

[].

The Engineer shall list all known services and provide the following minimum information for each service:

- **Utility Service or Facility, or FAA Air Traffic Organization (ATO)/ Technical Operations/System Support Center (SSC)**
- **Person to Contact (Name, Title, Address, and Phone)**
- **Owner’s Emergency Contact (Phone)**

The plans shall show the approximate location of the utilities or facilities known to exist within the limits of the contract work. The proposed contract plans and specifications shall be coordinated with the various Owners at the earliest possible time to avoid overlooking utility conflicts in the design and to obtain the best possible information needed to protect such utility services or facilities from damage resulting from the Contractor’s operations. Where conflicts are indicated during the coordination, they shall be resolved by the airport Owner and the utility owner, in accordance with existing legal agreements, by providing for work in the proposed contract or by the utility owner. In such cases of conflict, regardless of how the conflict is resolved, the airport Owner and utility owner should also be advised of the need to furnish the best information possible as to location of the utility service or facility to ensure protection during the proposed contract work.

It is understood and agreed that the Owner does not guarantee the accuracy or the completeness of the location information relating to existing utility services, facilities, or structures that may be shown on the plans or encountered in the work. Any inaccuracy or omission in such information shall not relieve the

Contractor of the responsibility to protect such existing features from damage or unscheduled interruption of service.

It is further understood and agreed that the Contractor shall, upon execution of the contract, notify the Owners of all utility services or other facilities of his or her plan of operations. Such notification shall be in writing addressed to THE PERSON TO CONTACT as provided in this subsection and subsection 70-04 titled RESTORATION OF SURFACES DISTURBED BY OTHERS of this section. A copy of each notification shall be given to the Engineer.

In addition to the general written notification provided, it shall be the responsibility of the Contractor to keep such individual Owners advised of changes in their plan of operations that would affect such Owners.

Prior to beginning the work in the general vicinity of an existing utility service or facility, the Contractor shall again notify each such Owner of their plan of operation. If, in the Contractor's opinion, the Owner's assistance is needed to locate the utility service or facility or the presence of a representative of the Owner is desirable to observe the work, such advice should be included in the notification. Such notification shall be given by the most expeditious means to reach the utility owner's PERSON TO CONTACT no later than two normal business days prior to the Contractor's commencement of operations in such general vicinity. The Contractor shall furnish a written summary of the notification to the Engineer.

The Contractor's failure to give the two days' notice shall be cause for the Owner to suspend the Contractor's operations in the general vicinity of a utility service or facility.

Where the outside limits of an underground utility service have been located and staked on the ground, the Contractor shall be required to use hand excavation methods within 3 feet (1 m) of such outside limits at such points as may be required to ensure protection from damage due to the Contractor's operations.

Should the Contractor damage or interrupt the operation of a utility service or facility by accident or otherwise, the Contractor shall immediately notify the proper authority and the Engineer and shall take all reasonable measures to prevent further damage or interruption of service. The Contractor, in such events, shall cooperate with the utility service or facility owner and the Engineer continuously until such damage has been repaired and service restored to the satisfaction of the utility or facility owner.

The Contractor shall bear all costs of damage and restoration of service to any utility service or facility due to their operations whether due to negligence or accident. The Owner reserves the right to deduct such costs from any monies due or which may become due the Contractor, or his or her surety.

[**70-15.1 FAA facilities and cable runs.** The Contractor is hereby advised that the construction limits of the project include existing facilities and buried cable runs that are owned, operated and maintained by the FAA. The Contractor, during the execution of the project work, shall comply with the following:

a. The Contractor shall permit FAA maintenance personnel the right of access to the project work site for purposes of inspecting and maintaining all existing FAA owned facilities.

b. The Contractor shall provide notice to the FAA Air Traffic Organization (ATO)/Technical Operations/System Support Center (SSC) Point-of-Contact through the airport [Owner] [operator] [manager] [] a minimum of seven (7) calendar days prior to commencement of construction activities in order to permit sufficient time to locate and mark existing buried cables and to schedule any required facility outages.

FAA Airports (ARP) will inform the Airport Sponsor of their requirement to notify the FAA preferably a minimum of 45 days prior to scheduled interruptions and airport projects with the potential to cause significant impacts to the National Airspace System (NAS). This is handled through the Internet Obstruction Evaluation/Airport Airspace Analysis (iOE/AAA) process and the airspace determination letter.

c. If execution of the project work requires a facility outage, the Contractor shall contact the FAA Point-of-Contact a minimum of 72 hours prior to the time of the required outage.

d. Any damage to FAA cables, access roads, or FAA facilities during construction caused by the Contractor's equipment or personnel whether by negligence or accident will require the Contractor to repair or replace the damaged cables, access road, or FAA facilities to FAA requirements. The Contractor shall not bear the cost to repair damage to underground facilities or utilities improperly located by the FAA.

Any displaced or relocated FAA facility or cables due to construction will require a signed and executed reimbursable agreement between the Owner and the FAA Tech Ops Division.

The splicing of cables is not an acceptable form of repair for certain projects. If any FAA cables are damaged, the Sponsor shall replace the cables in their entirety.

e. If the project work requires the cutting or splicing of FAA owned cables, the FAA Point-of-Contact shall be contacted a minimum of 72 hours prior to the time the cable work commences. The FAA reserves the right to have a FAA representative on site to observe the splicing of the cables as a condition of acceptance. All cable splices are to be accomplished in accordance with FAA specifications and require approval by the FAA Point-of-Contact as a condition of acceptance by the Owner. The Contractor is hereby advised that FAA restricts the location of where splices may be installed. If a cable splice is required in a location that is not permitted by FAA, the Contractor shall furnish and install a sufficient length of new cable that eliminates the need for any splice.]

The Engineer should include subsection 70-15.1 when existing FAA owned facilities and/or cable runs are located within the construction limits.

70-16 Furnishing rights-of-way. The Owner will be responsible for furnishing all rights-of-way upon which the work is to be constructed in advance of the Contractor’s operations.

70-17 Personal liability of public officials. In carrying out any of the contract provisions or in exercising any power or authority granted by this contract, there shall be no liability upon the Engineer, his or her authorized representatives, or any officials of the Owner either personally or as an official of the Owner. It is understood that in such matters they act solely as agents and representatives of the Owner.

70-18 No waiver of legal rights. Upon completion of the work, the Owner will expeditiously make final inspection and notify the Contractor of final acceptance. Such final acceptance, however, shall not preclude or stop the Owner from correcting any measurement, estimate, or certificate made before or after completion of the work, nor shall the Owner be precluded or stopped from recovering from the Contractor or his or her surety, or both, such overpayment as may be sustained, or by failure on the part of the Contractor to fulfill his or her obligations under the contract. A waiver on the part of the Owner of any breach of any part of the contract shall not be held to be a waiver of any other or subsequent breach.

The Contractor, without prejudice to the terms of the contract, shall be liable to the Owner for latent defects, fraud, or such gross mistakes as may amount to fraud, or as regards the Owner’s rights under any warranty or guaranty.

70-19 Environmental protection. The Contractor shall comply with all Federal, state, and local laws and regulations controlling pollution of the environment. The Contractor shall take necessary precautions to prevent pollution of streams, lakes, ponds, and reservoirs with fuels, oils, bitumens, chemicals, or other harmful materials and to prevent pollution of the atmosphere from particulate and gaseous matter.

For AIP and Passenger Facility Charge (PFC) funded contracts, the contract provisions required to mitigate the environmental consequences of the contract work should be specified in the contract specifications as required generally and specifically by the Environmental Impact Statement or Assessment for the particular project.

70-20 Archaeological and historical findings. Unless otherwise specified in this subsection, the Contractor is advised that the site of the work is not within any property, district, or site, and does not contain any building, structure, or object listed in the current National Register of Historic Places published by the United States Department of Interior.

Should the Contractor encounter, during his or her operations, any building, part of a building, structure, or object that is incongruous with its surroundings, the Contractor shall immediately cease operations in that location and notify the Engineer. The Engineer will immediately investigate the Contractor’s finding and the Owner will direct the Contractor to either resume operations or to suspend operations as directed.

Should the Owner order suspension of the Contractor’s operations in order to protect an archaeological or historical finding, or order the Contractor to perform extra work, such shall be covered by an appropriate contract change order or supplemental agreement as provided in the subsection 40-04 titled EXTRA WORK of Section 40 and the subsection 90-05 titled PAYMENT FOR EXTRA WORK of Section 90. If

appropriate, the contract change order or supplemental agreement shall include an extension of contract time in accordance with the subsection 80-07 titled DETERMINATION AND EXTENSION OF CONTRACT TIME of Section 80.

The contract language suggested in subsection 70-20 is intended to remind airport Owners that proper planning will prevent construction delays that may be caused when objects of archaeological or historical significance are encountered in the work. Airport Owners should include in their planning the coordination with state and local planning bodies as may be required by state and local laws pertaining to the National Historic Preservation Act of 1966.

As a general rule, disposition of known archaeological or historic objects that are situated on the site of the work should be covered by a separate contract when such disposition is required as a part of FAA project approval.

END OF SECTION 70

Section 80 Execution and Progress

80-01 Subletting of contract. The Owner will not recognize any subcontractor on the work. The Contractor shall at all times when work is in progress be represented either in person, by a qualified superintendent, or by other designated, qualified representative who is duly authorized to receive and execute orders of the Engineer.

The Contractor shall provide copies of all subcontracts to the Engineer. The Contractor shall perform, with his organization, an amount of work equal to at least [___] percent of the total contract cost.

Should the Contractor elect to assign his or her contract, said assignment shall be concurred in by the surety, shall be presented for the consideration and approval of the Owner, and shall be consummated only on the written approval of the Owner.

The Engineer should determine the percentage of work to be performed by the prime Contractor on a project basis (typically at least 25%).

80-02 Notice to proceed. The notice to proceed shall state the date on which it is expected the Contractor will begin the construction and from which date contract time will be charged. The Contractor shall begin the work to be performed under the contract within 10 days of the date set by the Engineer in the written notice to proceed, but in any event, the Contractor shall notify the Engineer at least 24 hours in advance of the time actual construction operations will begin. The Contractor shall not commence any actual construction prior to the date on which the notice to proceed is issued by the Owner.

80-03 Execution and progress. Unless otherwise specified, the Contractor shall submit their progress schedule for the Engineer’s approval within 10 days after the effective date of the notice to proceed. The Contractor’s progress schedule, when approved by the Engineer, may be used to establish major construction operations and to check on the progress of the work. The Contractor shall provide sufficient materials, equipment, and labor to guarantee the completion of the project in accordance with the plans and specifications within the time set forth in the proposal.

If the Contractor falls significantly behind the submitted schedule, the Contractor shall, upon the Engineer’s request, submit a revised schedule for completion of the work within the contract time and modify their operations to provide such additional materials, equipment, and labor necessary to meet the revised schedule. Should the execution of the work be discontinued for any reason, the Contractor shall notify the Engineer at least 24 hours in advance of resuming operations.

The Contractor shall not commence any actual construction prior to the date on which the notice to proceed is issued by the Owner.

In general, it is important that the Owner issue the notice to proceed for Airport Improvement Program (AIP) contracts because any actual construction work, performed prior to the execution of a grant agreement, (between the Owner and the FAA) would be ineligible for FAA participation in its cost. Check with the FAA for exceptions.

80-04 Limitation of operations. The Contractor shall control his or her operations and the operations of his or her subcontractors and all suppliers to provide for the free and unobstructed movement of aircraft in the air operations areas (AOA) of the airport.

When the work requires the Contractor to conduct his or her operations within an AOA of the airport, the work shall be coordinated with airport operations (through the Engineer) at least 48 hours prior to commencement of such work. The Contractor shall not close an AOA until so authorized by the Engineer and until the necessary temporary marking and associated lighting is in place as provided in the subsection 70-08 titled BARRICADES, WARNING SIGNS, AND HAZARD MARKINGS of Section 70.

When the contract work requires the Contractor to work within an AOA of the airport on an intermittent basis (intermittent opening and closing of the AOA), the Contractor shall maintain constant communications as specified; immediately obey all instructions to vacate the AOA; immediately obey all instructions to resume work in such AOA. Failure to maintain the specified communications or to obey instructions shall be cause for suspension of the Contractor’s operations in the AOA until the satisfactory conditions are provided. The following AOA cannot be closed to operating aircraft to permit the Contractor’s operations on a continuous basis and will therefore be closed to aircraft operations intermittently as follows:

[]

The Engineer shall identify areas of the AOA that cannot be closed to operating aircraft to permit the Contractor’s operations on a continuous basis. As a minimum, the following information is required for each area:

- **AOA**
- **Time periods AOA can be closed**
- **Type of communication(s) required when working in an AOA**
- **Control authority**

It is intended that the contract provisions which limit the Contractor’s operations be specified for all AOA of the airport that are not intended to be closed to permit continuous construction operations. These contract provisions vary widely from airport to airport and require careful coordination (during the early stages of designing the work) with the Owner, FAA, and the users of the airport. Advisory circular (AC) 150/5300-9, Predesign, Prebid, and Preconstruction Conferences for Airport Grant Projects, contains additional information on this subject.

The Engineer should include a section on airport safety in the bid documents that has, as a minimum, the information contained in AC 150/5370-2, Operational Safety

on Airports During Construction; the Construction Safety and Phasing Plan (CSPP); and any additional requirements as a result of a Safety Risk Management (SRM) review, if required.

Contractor shall be required to conform to safety standards contained in AC 150/5370-2, Operational Safety on Airports During Construction (see Special Provisions).

80-04.1 Operational safety on airport during construction. All Contractors' operations shall be conducted in accordance with the project Construction Safety and Phasing Plan (CSPP) and the provisions set forth within the current version of AC 150/5370-2. The CSPP included within the contract documents conveys minimum requirements for operational safety on the airport during construction activities. The Contractor shall prepare and submit a Safety Plan Compliance Document that details how it proposes to comply with the requirements presented within the CSPP.

The Contractor shall implement all necessary safety plan measures prior to commencement of any work activity. The Contractor shall conduct routine checks to assure compliance with the safety plan measures.

The Contractor is responsible to the Owner for the conduct of all subcontractors it employs on the project. The Contractor shall assure that all subcontractors are made aware of the requirements of the CSPP and that they implement and maintain all necessary measures.

No deviation or modifications may be made to the approved CSPP unless approved in writing by the Owner or Engineer.

80-05 Character of workers, methods, and equipment. The Contractor shall, at all times, employ sufficient labor and equipment for prosecuting the work to full completion in the manner and time required by the contract, plans, and specifications.

All workers shall have sufficient skill and experience to perform properly the work assigned to them. Workers engaged in special work or skilled work shall have sufficient experience in such work and in the operation of the equipment required to perform the work satisfactorily.

Any person employed by the Contractor or by any subcontractor who violates any operational regulations or operational safety requirements and, in the opinion of the Engineer, does not perform his work in a proper and skillful manner or is intemperate or disorderly shall, at the written request of the Engineer, be removed forthwith by the Contractor or subcontractor employing such person, and shall not be employed again in any portion of the work without approval of the Engineer.

Should the Contractor fail to remove such persons or person, or fail to furnish suitable and sufficient personnel for the proper execution of the work, the Engineer may suspend the work by written notice until compliance with such orders.

All equipment that is proposed to be used on the work shall be of sufficient size and in such mechanical condition as to meet requirements of the work and to produce a satisfactory quality of work. Equipment used on any portion of the work shall be such that no injury to previously completed work, adjacent property, or existing airport facilities will result from its use.

When the methods and equipment to be used by the Contractor in accomplishing the work are not prescribed in the contract, the Contractor is free to use any methods or equipment that will accomplish the work in conformity with the requirements of the contract, plans, and specifications.

When the contract specifies the use of certain methods and equipment, such methods and equipment shall be used unless others are authorized by the Engineer. If the Contractor desires to use a method or type of equipment other than specified in the contract, the Contractor may request authority from the Engineer to do so. The request shall be in writing and shall include a full description of the methods and equipment

proposed and of the reasons for desiring to make the change. If approval is given, it will be on the condition that the Contractor will be fully responsible for producing work in conformity with contract requirements. If, after trial use of the substituted methods or equipment, the Engineer determines that the work produced does not meet contract requirements, the Contractor shall discontinue the use of the substitute method or equipment and shall complete the remaining work with the specified methods and equipment. The Contractor shall remove any deficient work and replace it with work of specified quality, or take such other corrective action as the Engineer may direct. No change will be made in basis of payment for the contract items involved nor in contract time as a result of authorizing a change in methods or equipment under this subsection.

80-06 Temporary suspension of the work. The Owner shall have the authority to suspend the work wholly, or in part, for such period or periods as the Owner may deem necessary, due to unsuitable weather, or such other conditions as are considered unfavorable for the execution of the work, or for such time as is necessary due to the failure on the part of the Contractor to carry out orders given or perform any or all provisions of the contract.

In the event that the Contractor is ordered by the Owner, in writing, to suspend work for some unforeseen cause not otherwise provided for in the contract and over which the Contractor has no control, the Contractor may be reimbursed for actual money expended on the work during the period of shutdown. No allowance will be made for anticipated profits. The period of shutdown shall be computed from the effective date of the Engineer's order to suspend work to the effective date of the Engineer's order to resume the work. Claims for such compensation shall be filed with the Engineer within the time period stated in the Engineer's order to resume work. The Contractor shall submit with his or her claim information substantiating the amount shown on the claim. The Engineer will forward the Contractor's claim to the Owner for consideration in accordance with local laws or ordinances. No provision of this article shall be construed as entitling the Contractor to compensation for delays due to inclement weather, for suspensions made at the request of the Owner, or for any other delay provided for in the contract, plans, or specifications.

If it should become necessary to suspend work for an indefinite period, the Contractor shall store all materials in such manner that they will not become an obstruction nor become damaged in any way. The Contractor shall take every precaution to prevent damage or deterioration of the work performed and provide for normal drainage of the work. The Contractor shall erect temporary structures where necessary to provide for traffic on, to, or from the airport.

80-07 Determination and extension of contract time. The number of calendar or working days allowed for completion of the work shall be stated in the proposal and contract and shall be known as the CONTRACT TIME.

Should the contract time require extension for reasons beyond the Contractor's control, it shall be adjusted as follows:

a. CONTRACT TIME based on WORKING DAYS shall be calculated weekly by the Engineer. The Engineer will furnish the Contractor a copy of his or her weekly statement of the number of working days charged against the contract time during the week and the number of working days currently specified for completion of the contract (the original contract time plus the number of working days, if any, that have been included in approved CHANGE ORDERS or SUPPLEMENTAL AGREEMENTS covering EXTRA WORK).

The Engineer shall base his or her weekly statement of contract time charged on the following considerations:

(1) No time shall be charged for days on which the Contractor is unable to proceed with the principal item of work under construction at the time for at least six (6) hours with the normal work force employed on such principal item. Should the normal work force be on a double-shift, 12 hours shall be

used. Should the normal work force be on a triple-shift, 18 hours shall apply. Conditions beyond the Contractor's control such as strikes, lockouts, unusual delays in transportation, temporary suspension of the principal item of work under construction or temporary suspension of the entire work which have been ordered by the Owner for reasons not the fault of the Contractor, shall not be charged against the contract time.

(2) The Engineer will not make charges against the contract time prior to the effective date of the notice to proceed.

(3) The Engineer will begin charges against the contract time on the first working day after the effective date of the notice to proceed.

(4) The Engineer will not make charges against the contract time after the date of final acceptance as defined in the subsection 50-15 titled FINAL ACCEPTANCE of Section 50.

(5) The Contractor will be allowed one (1) week in which to file a written protest setting forth his or her objections to the Engineer's weekly statement. If no objection is filed within such specified time, the weekly statement shall be considered as acceptable to the Contractor.

The contract time (stated in the proposal) is based on the originally estimated quantities as described in the subsection 20-05 titled INTERPRETATION OF ESTIMATED PROPOSAL QUANTITIES of Section 20. Should the satisfactory completion of the contract require performance of work in greater quantities than those estimated in the proposal, the contract time shall be increased in the same proportion as the cost of the actually completed quantities bears to the cost of the originally estimated quantities in the proposal. Such increase in contract time shall not consider either the cost of work or the extension of contract time that has been covered by change order or supplemental agreement and shall be made at the time of final payment.

b. Contract Time based on calendar days shall consist of the number of calendar days stated in the contract counting from the effective date of the notice to proceed and including all Saturdays, Sundays, holidays, and non-work days. All calendar days elapsing between the effective dates of the Owner's orders to suspend and resume all work, due to causes not the fault of the Contractor, shall be excluded.

At the time of final payment, the contract time shall be increased in the same proportion as the cost of the actually completed quantities bears to the cost of the originally estimated quantities in the proposal. Such increase in the contract time shall not consider either cost of work or the extension of contract time that has been covered by a change order or supplemental agreement. Charges against the contract time will cease as of the date of final acceptance.

c. When the contract time is a specified completion date, it shall be the date on which all contract work shall be substantially complete.

If the Contractor finds it impossible for reasons beyond his or her control to complete the work within the contract time as specified, or as extended in accordance with the provisions of this subsection, the Contractor may, at any time prior to the expiration of the contract time as extended, make a written request to the Owner for an extension of time setting forth the reasons which the Contractor believes will justify the granting of his or her request. Requests for extension of time on calendar day projects, caused by inclement weather, shall be supported with National Weather Bureau data showing the actual amount of inclement weather exceeded what could normally be expected during the contract period. The Contractor's plea that insufficient time was specified is not a valid reason for extension of time. If the supporting documentation justify the work was delayed because of conditions beyond the control and without the fault of the Contractor, the Owner may extend the time for completion by a change order that adjusts the contract time or completion date. The extended time for completion shall then be in full force and effect, the same as though it were the original time for completion.

80-08 Failure to complete on time. For each calendar day or working day, as specified in the contract, that any work remains uncompleted after the contract time (including all extensions and adjustments as

provided in the subsection 80-07 titled DETERMINATION AND EXTENSION OF CONTRACT TIME of this Section) the sum specified in the contract and proposal as liquidated damages will be deducted from any money due or to become due the Contractor or his or her surety. Such deducted sums shall not be deducted as a penalty but shall be considered as liquidation of a reasonable portion of damages including but not limited to additional engineering services that will be incurred by the Owner should the Contractor fail to complete the work in the time provided in their contract.

Schedule	Liquidated Damages Cost	Allowed Construction Time

The Engineer should list the liquidated damages cost per schedule and allowed construction time per schedule to clarify when more than one schedule of work is bid, or in the event all schedules bid cannot be awarded.

The amount of the liquidated damages should not be unreasonable, excessive, or punitive. Liquidated damages must reflect a reasonable estimate of the actual costs which will be incurred by the Owner and users of the airport and must not be punitive. An excessive value for liquidated damages may not be enforceable.

The maximum construction time allowed for Schedules [___] will be the sum of the time allowed for individual schedules but not more than [___] days. Permitting the Contractor to continue and finish the work or any part of it after the time fixed for its completion, or after the date to which the time for completion may have been extended, will in no way operate as a wavier on the part of the Owner of any of its rights under the contract.

The Engineer shall modify this paragraph for each project.

The contract time is an essential part of each contract for construction on airports and should be considered carefully in the preparation of plans and specifications.

In selecting the method of specifying the contract time (working days, calendar days, or a specified completion date), the primary consideration should be the impact on the operations of the airport should the Contractor be unable to complete the work within the time specified. These considerations should be coordinated with the airport users as indicated in AC 150/5300-9, Predesign, Prebid, and Preconstruction Conferences for Airport Grant Projects.

The amount of liquidated damages to be specified should be tailored to each contract and should be based on the cost per day incurred by the Owner should the Contractor overrun the contract time. For large airports (where the impact on airport operations may be great), it is not practical for the Owner to attempt to recover all loss of revenue through liquidated damages. Consequently, the amount of liquidated damages specified must be balanced somewhere between the cost per day incurred for a time overrun and the cost that bidders would have to add to their bids to cover the contingency of a time overrun.

Generally speaking, contract time is based on working days when completion is not critical to operation of the airport. As the impact on airport operations increases, the use of calendar days will give more control. Use of a specified completion date should be used only in cases where the construction operations require long-range rescheduling of airport operations. Also, generally speaking, the amount of liquidated damages would be greater for a calendar day contract than for a working day contract and would be greatest for a specified completion date contract.

80-09 Default and termination of contract. The Contractor shall be considered in default of his or her contract and such default will be considered as cause for the Owner to terminate the contract for any of the following reasons if the Contractor:

- a. Fails to begin the work under the contract within the time specified in the Notice to Proceed, or
- b. Fails to perform the work or fails to provide sufficient workers, equipment and/or materials to assure completion of work in accordance with the terms of the contract, or
- c. Performs the work unsuitably or neglects or refuses to remove materials or to perform anew such work as may be rejected as unacceptable and unsuitable, or
- d. Discontinues the execution of the work, or
- e. Fails to resume work which has been discontinued within a reasonable time after notice to do so, or
- f. Becomes insolvent or is declared bankrupt, or commits any act of bankruptcy or insolvency, or
- g. Allows any final judgment to stand against the Contractor unsatisfied for a period of 10 days, or
- h. Makes an assignment for the benefit of creditors, or
- i. For any other cause whatsoever, fails to carry on the work in an acceptable manner.

Should the Engineer consider the Contractor in default of the contract for any reason above, the Engineer shall immediately give written notice to the Contractor and the Contractor's surety as to the reasons for considering the Contractor in default and the Owner's intentions to terminate the contract.

If the Contractor or surety, within a period of 10 days after such notice, does not proceed in accordance therewith, then the Owner will, upon written notification from the Engineer of the facts of such delay, neglect, or default and the Contractor's failure to comply with such notice, have full power and authority without violating the contract, to take the execution of the work out of the hands of the Contractor. The Owner may appropriate or use any or all materials and equipment that have been mobilized for use in the work and are acceptable and may enter into an agreement for the completion of said contract according to the terms and provisions thereof, or use such other methods as in the opinion of the Engineer will be required for the completion of said contract in an acceptable manner.

All costs and charges incurred by the Owner, together with the cost of completing the work under contract, will be deducted from any monies due or which may become due the Contractor. If such expense exceeds the sum which would have been payable under the contract, then the Contractor and the surety shall be liable and shall pay to the Owner the amount of such excess.

80-10 Termination for national emergencies. The Owner shall terminate the contract or portion thereof by written notice when the Contractor is prevented from proceeding with the construction contract as a direct result of an Executive Order of the President with respect to the execution of war or in the interest of national defense.

When the contract, or any portion thereof, is terminated before completion of all items of work in the contract, payment will be made for the actual number of units or items of work completed at the contract price or as mutually agreed for items of work partially completed or not started. No claims or loss of anticipated profits shall be considered.

Reimbursement for organization of the work, and other overhead expenses, (when not otherwise included in the contract) and moving equipment and materials to and from the job will be considered, the intent being that an equitable settlement will be made with the Contractor.

Acceptable materials, obtained or ordered by the Contractor for the work and that are not incorporated in the work shall, at the option of the Contractor, be purchased from the Contractor at actual cost as shown by receipted bills and actual cost records at such points of delivery as may be designated by the Engineer.

Termination of the contract or a portion thereof shall neither relieve the Contractor of his or her responsibilities for the completed work nor shall it relieve his or her surety of its obligation for and concerning any just claim arising out of the work performed.

80-11 Work area, storage area and sequence of operations. The Contractor shall obtain approval from the Engineer prior to beginning any work in all areas of the airport. No operating runway, taxiway, or air operations area (AOA) shall be crossed, entered, or obstructed while it is operational. The Contractor shall plan and coordinate his or her work in such a manner as to ensure safety and a minimum of hindrance to flight operations. All Contractor equipment and material stockpiles shall be stored a minimum of [] feet from the centerline of an active runway. No equipment will be allowed to park within the approach area of an active runway at any time. No equipment shall be within [] feet of an active runway at any time.

The Engineer shall enter the appropriate distances per AC 150/5370-2.

END OF SECTION 80

Section 90 Measurement and Payment

90-01 Measurement of quantities. All work completed under the contract will be measured by the Engineer, or his or her authorized representatives, using United States Customary Units of Measurement or the International System of Units.

The method of measurement and computations to be used in determination of quantities of material furnished and of work performed under the contract will be those methods generally recognized as conforming to good engineering practice.

Unless otherwise specified, longitudinal measurements for area computations will be made horizontally, and no deductions will be made for individual fixtures (or leave-outs) having an area of 9 square feet (0.8 square meters) or less. Unless otherwise specified, transverse measurements for area computations will be the neat dimensions shown on the plans or ordered in writing by the Engineer.

Structures will be measured according to neat lines shown on the plans or as altered to fit field conditions.

Unless otherwise specified, all contract items which are measured by the linear foot such as electrical ducts, conduits, pipe culverts, underdrains, and similar items shall be measured parallel to the base or foundation upon which such items are placed.

In computing volumes of excavation the average end area method or other acceptable methods will be used.

The thickness of plates and galvanized sheet used in the manufacture of corrugated metal pipe, metal plate pipe culverts and arches, and metal cribbing will be specified and measured in decimal fraction of inch.

The term "ton" will mean the short ton consisting of 2,000 lb (907 kg) avoirdupois. All materials that are measured or proportioned by weights shall be weighed on accurate, approved scales by competent, qualified personnel at locations designed by the Engineer. If material is shipped by rail, the car weight may be accepted provided that only the actual weight of material is paid for. However, car weights will not be acceptable for material to be passed through mixing plants. Trucks used to haul material being paid for by weight shall be weighed empty daily at such times as the Engineer directs, and each truck shall bear a plainly legible identification mark.

Materials to be measured by volume in the hauling vehicle shall be hauled in approved vehicles and measured therein at the point of delivery. Vehicles for this purpose may be of any size or type acceptable for the materials hauled, provided that the body is of such shape that the actual contents may be readily and accurately determined. All vehicles shall be loaded to at least their water level capacity, and all loads shall be leveled when the vehicles arrive at the point of delivery.

When requested by the Contractor and approved by the Engineer in writing, material specified to be measured by the cubic yard (cubic meter) may be weighed, and such weights will be converted to cubic yards (cubic meters) for payment purposes. Factors for conversion from weight measurement to volume measurement will be determined by the Engineer and shall be agreed to by the Contractor before such method of measurement of pay quantities is used.

Bituminous materials will be measured by the gallon (liter) or ton (kg). When measured by volume, such volumes will be measured at 60°F (16°C) or will be corrected to the volume at 60°F (16°C) using ASTM D1250 for asphalts or ASTM D633 for tars.

Net certified scale weights or weights based on certified volumes in the case of rail shipments will be used as a basis of measurement, subject to correction when bituminous material has been lost from the car or the distributor, wasted, or otherwise not incorporated in the work.

When bituminous materials are shipped by truck or transport, net certified weights by volume, subject to correction for loss or foaming, may be used for computing quantities.

Cement will be measured by the ton (kg) or hundredweight (km).

Timber will be measured by the thousand feet board measure (MFBM) actually incorporated in the structure. Measurement will be based on nominal widths and thicknesses and the extreme length of each piece.

The term "lump sum" when used as an item of payment will mean complete payment for the work described in the contract.

When a complete structure or structural unit (in effect, "lump sum" work) is specified as the unit of measurement, the unit will be construed to include all necessary fittings and accessories.

Rental of equipment will be measured by time in hours of actual working time and necessary traveling time of the equipment within the limits of the work. Special equipment ordered by the Engineer in connection with force account work will be measured as agreed in the change order or supplemental agreement authorizing such force account work as provided in the subsection 90-05 titled PAYMENT FOR EXTRA WORK of this section.

When standard manufactured items are specified such as fence, wire, plates, rolled shapes, pipe conduit, etc., and these items are identified by gauge, unit weight, section dimensions, etc., such identification will be considered to be nominal weights or dimensions. Unless more stringently controlled by tolerances in cited specifications, manufacturing tolerances established by the industries involved will be accepted.

Scales for weighing materials which are required to be proportioned or measured and paid for by weight shall be furnished, erected, and maintained by the Contractor, or be certified permanently installed commercial scales.

Scales shall be accurate within 1/2% of the correct weight throughout the range of use. The Contractor shall have the scales checked under the observation of the inspector before beginning work and at such other times as requested. The intervals shall be uniform in spacing throughout the graduated or marked length of the beam or dial and shall not exceed one-tenth of 1% of the nominal rated capacity of the scale, but not less than 1 pound (454 grams). The use of spring balances will not be permitted.

Beams, dials, platforms, and other scale equipment shall be so arranged that the operator and the inspector can safely and conveniently view them.

Scale installations shall have available ten standard 50-pound (2.3 km) weights for testing the weighing equipment or suitable weights and devices for other approved equipment.

Scales must be tested for accuracy and serviced before use at a new site. Platform scales shall be installed and maintained with the platform level and rigid bulkheads at each end.

Scales "overweighing" (indicating more than correct weight) will not be permitted to operate, and all materials received subsequent to the last previous correct weighting-accuracy test will be reduced by the percentage of error in excess of one-half of 1%.

In the event inspection reveals the scales have been underweighing (indicating less than correct weight), they shall be adjusted, and no additional payment to the Contractor will be allowed for materials previously weighed and recorded.

All costs in connection with furnishing, installing, certifying, testing, and maintaining scales; for furnishing check weights and scale house; and for all other items specified in this subsection, for the weighing of materials for proportioning or payment, shall be included in the unit contract prices for the various items of the project.

When the estimated quantities for a specific portion of the work are designated as the pay quantities in the contract, they shall be the final quantities for which payment for such specific portion of the work will be made, unless the dimensions of said portions of the work shown on the plans are revised by the Engineer. If revised dimensions result in an increase or decrease in the quantities of such work, the final quantities for payment will be revised in the amount represented by the authorized changes in the dimensions.

90-02 Scope of payment. The Contractor shall receive and accept compensation provided for in the contract as full payment for furnishing all materials, for performing all work under the contract in a complete and acceptable manner, and for all risk, loss, damage, or expense of whatever character arising out of the nature of the work or the execution thereof, subject to the provisions of the subsection 70-18 titled NO WAIVER OF LEGAL RIGHTS of Section 70.

When the “basis of payment” subsection of a technical specification requires that the contract price (price bid) include compensation for certain work or material essential to the item, this same work or material will not also be measured for payment under any other contract item which may appear elsewhere in the contract, plans, or specifications.

90-03 Compensation for altered quantities. When the accepted quantities of work vary from the quantities in the proposal, the Contractor shall accept as payment in full, so far as contract items are concerned, payment at the original contract price for the accepted quantities of work actually completed and accepted. No allowance, except as provided for in the subsection 40-02 titled ALTERATION OF WORK AND QUANTITIES of Section 40 will be made for any increased expense, loss of expected reimbursement, or loss of anticipated profits suffered or claimed by the Contractor which results directly from such alterations or indirectly from his or her unbalanced allocation of overhead and profit among the contract items, or from any other cause.

90-04 Payment for omitted items. As specified in the subsection 40-03 titled OMITTED ITEMS of Section 40, the Engineer shall have the right to omit from the work (order nonperformance) any contract item, except major contract items, in the best interest of the Owner.

Should the Engineer omit or order nonperformance of a contract item or portion of such item from the work, the Contractor shall accept payment in full at the contract prices for any work actually completed and acceptable prior to the Engineer’s order to omit or non-perform such contract item.

Acceptable materials ordered by the Contractor or delivered on the work prior to the date of the Engineer’s order will be paid for at the actual cost to the Contractor and shall thereupon become the property of the Owner.

In addition to the reimbursement hereinbefore provided, the Contractor shall be reimbursed for all actual costs incurred for the purpose of performing the omitted contract item prior to the date of the Engineer’s order. Such additional costs incurred by the Contractor must be directly related to the deleted contract item and shall be supported by certified statements by the Contractor as to the nature the amount of such costs.

90-05 Payment for extra work. Extra work, performed in accordance with the subsection 40-04 titled EXTRA WORK of Section 40, will be paid for at the contract prices or agreed prices specified in the change order or supplemental agreement authorizing the extra work.

90-06 Partial payments. Partial payments will be made to the Contractor at least once each month as the work progresses. Said payments will be based upon estimates, prepared by the Engineer, of the value of the work performed and materials complete and in place, in accordance with the contract, plans, and

specifications. Such partial payments may also include the delivered actual cost of those materials stockpiled and stored in accordance with the subsection 90-07 titled PAYMENT FOR MATERIALS ON HAND of this section. No partial payment will be made when the amount due to the Contractor since the last estimate amounts to less than five hundred dollars.

[Insert retainage option here.]

The Owner has three options in determining whether retainage will be withheld on the project. Insert the clauses for the option that applies and delete the clauses for the other two options.

***Option 1:* The Owner may decline to hold retainage from prime Contractors and prohibit prime Contractors from holding retainage from subcontractors. Insert this clause if Option 1 is selected:**

The Contractor is required to pay all subcontractors for satisfactory performance of their contracts no later than 30 days after the Contractor has received a partial payment. A subcontractor's work is satisfactorily completed when all the tasks called for in the subcontract have been accomplished and documented as required by the Owner. When the Owner has made an incremental acceptance of a portion of a prime contract, the work of a subcontractor covered by that acceptance is deemed to be satisfactorily completed.

Retainage will not be withheld on this project. No retainage will be withheld by the Owner from progress payments due the prime Contractor. Retainage by the prime or subcontractors is prohibited, and no retainage will be held by the prime from progress due subcontractors.

When at least 95% of the work has been completed, the Engineer shall, at the Owner's discretion and with the consent of the surety, prepare estimates of both the contract value and the cost of the remaining work to be done.

***Option 2:* The Owner may decline to hold retainage from prime Contractors and require a contract clause obligating prime Contractors to make prompt and full payment of any retainage kept by prime Contractor to the subcontractor within 30 days after the subcontractor's work is satisfactorily completed. Insert this clause if Option 2 is selected:**

The Contractor is required to pay all subcontractors for satisfactory performance of their contracts no later than 30 days after the Contractor has received a partial payment. The Owner must ensure prompt and full payment of retainage from the prime Contractor to the subcontractor within 30 days after the subcontractor's work is satisfactorily completed. A subcontractor's work is satisfactorily completed when all the tasks called for in the subcontract have been accomplished and documented as required by the Owner. When the Owner has made an incremental acceptance of a portion of a prime contract, the work of a subcontractor covered by that acceptance is deemed to be satisfactorily completed.

No retainage will be held by the Owner from progress payments due the prime.

When at least 95% of the work has been completed, the Engineer shall, at the Owner's discretion and with the consent of the surety, prepare estimates of both the contract value and the cost of the remaining work to be done.

Option 3: The Owner may hold retainage from prime Contractors and provide for prompt and regular incremental acceptances of portions of the prime contract, pay retainage to prime Contractors based on these acceptances, and require a contract clause obligating the prime Contractor to pay all retainage owed to the subcontractor for satisfactory completion of the accepted work within 30 days after the Owner's payment to the prime Contractor. If Option 3 is selected, the percent withheld may not exceed 10%. And if Option 3 is selected, insert the following clause and specify amounts where indicated:

The Contractor is required to pay all subcontractors for satisfactory performance of their contracts no later than 30 days after the Contractor has received a partial payment. The Owner must ensure prompt and full payment of retainage from the prime Contractor to the subcontractor within 30 days after the subcontractor's work is satisfactorily completed. A subcontractor's work is satisfactorily completed when all the tasks called for in the subcontract have been accomplished and documented as required by the Owner. When the Owner has made an incremental acceptance of a portion of a prime contract, the work of a subcontractor covered by that acceptance is deemed to be satisfactorily completed.

From the total of the amount determined to be payable on a partial payment, [insert amount of retainage, not to exceed 10 percent] percent of such total amount will be deducted and retained by the Owner until the final payment is made, except as may be provided (at the Contractor's option) in the subsection 90-08 titled PAYMENT OF WITHHELD FUNDS of this section. The balance [insert balance] of the amount payable, less all previous payments, shall be certified for payment. Should the Contractor exercise his or her option, as provided in the subsection 90-08 titled PAYMENT OF WITHHELD FUNDS of this section, no such percent retainage shall be deducted.

When at least 95% of the work has been completed, the Engineer shall, at the Owner's discretion and with the consent of the surety, prepare estimates of both the contract value and the cost of the remaining work to be done.

The Owner may retain an amount not less than twice the contract value or estimated cost, whichever is greater, of the work remaining to be done. The remainder, less all previous payments and deductions, will then be certified for payment to the Contractor.

It is understood and agreed that the Contractor shall not be entitled to demand or receive partial payment based on quantities of work in excess of those provided in the proposal or covered by approved change orders or supplemental agreements, except when such excess quantities have been determined by the Engineer to be a part of the final quantity for the item of work in question.

No partial payment shall bind the Owner to the acceptance of any materials or work in place as to quality or quantity. All partial payments are subject to correction at the time of final payment as provided in the subsection 90-09 titled ACCEPTANCE AND FINAL PAYMENT of this section.

The Contractor shall deliver to the Owner a complete release of all claims for labor and material arising out of this contract before the final payment is made. If any subcontractor or supplier fails to furnish such a release in full, the Contractor may furnish a bond or other collateral satisfactory to the Owner to indemnify the Owner against any potential lien or other such claim. The bond or collateral shall include all costs, expenses, and attorney fees the Owner may be compelled to pay in discharging any such lien or claim.

In some areas, release of liens prior to paying the full amount to the prime Contractor may void the contract. In those areas, revise the previous paragraph as required to meet all state and local regulations.

90-07 Payment for materials on hand. Partial payments may be made to the extent of the delivered cost of materials to be incorporated in the work, provided that such materials meet the requirements of the contract, plans, and specifications and are delivered to acceptable sites on the airport property or at other sites in the vicinity that are acceptable to the Owner. Such delivered costs of stored or stockpiled materials may be included in the next partial payment after the following conditions are met:

- a. The material has been stored or stockpiled in a manner acceptable to the Engineer at or on an approved site.
- b. The Contractor has furnished the Engineer with acceptable evidence of the quantity and quality of such stored or stockpiled materials.
- c. The Contractor has furnished the Engineer with satisfactory evidence that the material and transportation costs have been paid.
- d. The Contractor has furnished the Owner legal title (free of liens or encumbrances of any kind) to the material so stored or stockpiled.
- e. The Contractor has furnished the Owner evidence that the material so stored or stockpiled is insured against loss by damage to or disappearance of such materials at any time prior to use in the work.

It is understood and agreed that the transfer of title and the Owner’s payment for such stored or stockpiled materials shall in no way relieve the Contractor of his or her responsibility for furnishing and placing such materials in accordance with the requirements of the contract, plans, and specifications.

In no case will the amount of partial payments for materials on hand exceed the contract price for such materials or the contract price for the contract item in which the material is intended to be used.

No partial payment will be made for stored or stockpiled living or perishable plant materials.

The Contractor shall bear all costs associated with the partial payment of stored or stockpiled materials in accordance with the provisions of this subsection.

90-08 Payment of withheld funds. At the Contractor’s option, if an Owner withholds retainage in accordance with the methods described in subsection 90-06 PARTIAL PAYMENTS, the Contractor may request that the Owner deposit the retainage into an escrow account. The Owner’s deposit of retainage into an escrow account is subject to the following conditions:

- a. The Contractor shall bear all expenses of establishing and maintaining an escrow account and escrow agreement acceptable to the Owner.

b. The Contractor shall deposit to and maintain in such escrow only those securities or bank certificates of deposit as are acceptable to the Owner and having a value not less than the retainage that would otherwise be withheld from partial payment.

c. The Contractor shall enter into an escrow agreement satisfactory to the Owner.

d. The Contractor shall obtain the written consent of the surety to such agreement.

90-09 Acceptance and final payment. When the contract work has been accepted in accordance with the requirements of the subsection 50-15 titled FINAL ACCEPTANCE of Section 50, the Engineer will prepare the final estimate of the items of work actually performed. The Contractor shall approve the Engineer's final estimate or advise the Engineer of the Contractor's objections to the final estimate which are based on disputes in measurements or computations of the final quantities to be paid under the contract as amended by change order or supplemental agreement. The Contractor and the Engineer shall resolve all disputes (if any) in the measurement and computation of final quantities to be paid within 30 calendar days of the Contractor's receipt of the Engineer's final estimate. If, after such 30-day period, a dispute still exists, the Contractor may approve the Engineer's estimate under protest of the quantities in dispute, and such disputed quantities shall be considered by the Owner as a claim in accordance with the subsection 50-16 titled CLAIMS FOR ADJUSTMENT AND DISPUTES of Section 50.

After the Contractor has approved, or approved under protest, the Engineer's final estimate, and after the Engineer's receipt of the project closeout documentation required in subsection 90-11 Project Closeout, final payment will be processed based on the entire sum, or the undisputed sum in case of approval under protest, determined to be due the Contractor less all previous payments and all amounts to be deducted under the provisions of the contract. All prior partial estimates and payments shall be subject to correction in the final estimate and payment.

If the Contractor has filed a claim for additional compensation under the provisions of the subsection 50-16 titled CLAIMS FOR ADJUSTMENTS AND DISPUTES of Section 50 or under the provisions of this subsection, such claims will be considered by the Owner in accordance with local laws or ordinances. Upon final adjudication of such claims, any additional payment determined to be due the Contractor will be paid pursuant to a supplemental final estimate.

90-10 Construction warranty.

a. In addition to any other warranties in this contract, the Contractor warrants that work performed under this contract conforms to the contract requirements and is free of any defect in equipment, material, workmanship, or design furnished, or performed by the Contractor or any subcontractor or supplier at any tier.

b. This warranty shall continue for a period of one year from the date of final acceptance of the work. If the Owner takes possession of any part of the work before final acceptance, this warranty shall continue for a period of one year from the date the Owner takes possession. However, this will not relieve the Contractor from corrective items required by the final acceptance of the project work.

c. The Contractor shall remedy at the Contractor's expense any failure to conform, or any defect. In addition, the Contractor shall remedy at the Contractor's expense any damage to Owner real or personal property, when that damage is the result of:

(1) The Contractor's failure to conform to contract requirements; or

(2) Any defect of equipment, material, workmanship, or design furnished by the Contractor.

d. The Contractor shall restore any work damaged in fulfilling the terms and conditions of this clause. The Contractor's warranty with respect to work repaired or replaced will run for one year from the date of repair or replacement.

e. The Owner will notify the Contractor, in writing, within [seven (7)] days after the discovery of any failure, defect, or damage.

f. If the Contractor fails to remedy any failure, defect, or damage within [14] days after receipt of notice, the Owner shall have the right to replace, repair, or otherwise remedy the failure, defect, or damage at the Contractor's expense.

g. With respect to all warranties, express or implied, from subcontractors, manufacturers, or suppliers for work performed and materials furnished under this contract, the Contractor shall: (1) Obtain all warranties that would be given in normal commercial practice; (2) Require all warranties to be executed, in writing, for the benefit of the Owner, as directed by the Owner, and (3) Enforce all warranties for the benefit of the Owner.

h. This warranty shall not limit the Owner's rights with respect to latent defects, gross mistakes, or fraud.

Notification times in Items e and f may be changed to meet specific project requirements.

Airport Improvement Program (AIP) will not typically participate in extended warranties beyond one (1) year.

Note that Engineering Brief (EB) #67, Light Sources Other than Incandescent and Xenon for Airport and Obstruction Lighting Fixtures, requires that all light-emitting diode (LED) light fixtures with the exception of obstruction lighting, (advisory circular (AC) 150/5345-43) must be warranted by the manufacturer for a minimum of four (4) years after date of installation inclusive of all electronics.

It is recommended the Owner and Engineer perform a warranty inspection with the Contractor approximately three (3) months before the end of the one year warranty period.

90-11 Project closeout. Approval of final payment to the Contractor is contingent upon completion and submittal of the items listed below. The final payment will not be approved until the Engineer approves the Contractor's final submittal. The Contractor shall:

a. Provide two (2) copies of all manufacturers warranties specified for materials, equipment, and installations.

b. Provide weekly payroll records (not previously received) from the general Contractor and all subcontractors.

c. Complete final cleanup in accordance with subsection 40-08, FINAL CLEANUP.

d. Complete all punch list items identified during the Final Inspection.

e. Provide complete release of all claims for labor and material arising out of the Contract.

f. Provide a certified statement signed by the subcontractors, indicating actual amounts paid to the Disadvantaged Business Enterprise (DBE) subcontractors and/or suppliers associated with the project.

g. When applicable per state requirements, return copies of sales tax completion forms.

h. Manufacturer's certifications for all items incorporated in the work.

- i. All required record drawings, as-built drawings or as-constructed drawings.
- j. Project Operation and Maintenance (O&M) Manual.
- k. Security for Construction Warranty.
- l. Equipment commissioning documentation submitted, if required.

[]

Additional items may be added as necessary to address State requirements and specific project requirements. The intent of this section is to withhold final project payment until all necessary paperwork, project work, and cleanup of work/staging areas have been completed.

END OF SECTION 90

Intentionally Left Blank

Section 100 Contractor Quality Control Program

100-01 General. When the specification requires a Contractor Quality Control Program, the Contractor shall establish, provide, and maintain an effective Quality Control Program that details the methods and procedures that will be taken to assure that all materials and completed construction required by this contract conform to contract plans, technical specifications and other requirements, whether manufactured by the Contractor, or procured from subcontractors or vendors. Although guidelines are established and certain minimum requirements are specified here and elsewhere in the contract technical specifications, the Contractor shall assume full responsibility for accomplishing the stated purpose.

The intent of this section is to enable the Contractor to establish a necessary level of control that will:

- a. Adequately provide for the production of acceptable quality materials.
- b. Provide sufficient information to assure both the Contractor and the Engineer that the specification requirements can be met.
- c. Allow the Contractor as much latitude as possible to develop his or her own standard of control.

The Contractor shall be prepared to discuss and present, at the preconstruction conference, their understanding of the quality control requirements. The Contractor shall not begin any construction or production of materials to be incorporated into the completed work until the Quality Control Program has been reviewed and accepted by the Engineer. No partial payment will be made for materials subject to specific quality control requirements until the Quality Control Program has been reviewed.

The quality control requirements contained in this section and elsewhere in the contract technical specifications are in addition to and separate from the acceptance testing requirements. Acceptance testing requirements are the responsibility of the Engineer.

Paving projects over \$500,000 shall have a Quality Control (QC)/Quality Assurance (QA) workshop with the Engineer, Contractor, subcontractors, testing laboratories, and Owner's representative at start of construction. The workshop shall address QC and QA requirements of the project specifications. The Contractor shall coordinate with the Airport and the Engineer on time and location of the QC/QA workshop.

100-02 Description of program.

a. General description. The Contractor shall establish a Quality Control Program to perform quality control inspection and testing of all items of work required by the technical specifications, including those performed by subcontractors. This Quality Control Program shall ensure conformance to applicable specifications and plans with respect to materials, workmanship, construction, finish, and functional performance. The Quality Control Program shall be effective for control of all construction work performed under this Contract and shall specifically include surveillance and tests required by the technical specifications, in addition to other requirements of this section and any other activities deemed necessary by the Contractor to establish an effective level of quality control.

b. Quality Control Program. The Contractor shall describe the Quality Control Program in a written document that shall be reviewed and approved by the Engineer prior to the start of any production, construction, or off-site fabrication. The written Quality Control Program shall be submitted to the Engineer for review and approval at least [] calendar days before the []. The Contractor's Quality

Control Plan and Quality Control testing laboratory must be approved in writing by the Engineer prior to the Notice to Proceed (NTP).

The Engineer should choose an adequate period for review. A minimum of five (5) days before the preconstruction conference or the start of work is recommended.

Submittal of the written Quality Control Program prior to the preconstruction conference will allow the Engineer to review the contents and make suggestions at the preconstruction meeting.

Submittal of the written Quality Control Program prior to the start of work will allow for detailed discussion of the requirements before the NTP is issued. This will give the Contractor a better understanding of the requirements before developing the Quality Control Program.

When selecting the required days for the Contractor to submit the Quality Control program, adequate time should be allowed for the Quality Control Program to be a supplement to the Owner's Construction Management Plan.

The Quality Control Program shall be organized to address, as a minimum, the following items:

- a. Quality control organization
- b. Project progress schedule
- c. Submittals schedule
- d. Inspection requirements
- e. Quality control testing plan
- f. Documentation of quality control activities
- g. Requirements for corrective action when quality control and/or acceptance criteria are not met

The Contractor is encouraged to add any additional elements to the Quality Control Program that is deemed necessary to adequately control all production and/or construction processes required by this contract.

100-03 Quality control organization. The Contractor Quality Control Program shall be implemented by the establishment of a separate quality control organization. An organizational chart shall be developed to show all quality control personnel and how these personnel integrate with other management/production and construction functions and personnel.

The organizational chart shall identify all quality control staff by name and function, and shall indicate the total staff required to implement all elements of the Quality Control Program, including inspection and testing for each item of work. If necessary, different technicians can be used for specific inspection and testing functions for different items of work. If an outside organization or independent testing laboratory is used for implementation of all or part of the Quality Control Program, the personnel assigned shall be subject to the qualification requirements of paragraph 100-03a and 100-03b. The organizational chart shall indicate which personnel are Contractor employees and which are provided by an outside organization.

The quality control organization shall, as a minimum, consist of the following personnel:

a. Program Administrator. The Program Administrator shall be a full-time [on-site] employee of the Contractor, or a consultant engaged by the Contractor. The Program Administrator shall have a minimum of five (5) years of experience in airport and/or highway construction and shall have had prior quality control experience on a project of comparable size and scope as the contract.

Additional qualifications for the Program Administrator shall include at least one of the following requirements:

- (1) Professional Engineer with one (1) year of airport paving experience.
- (2) Engineer-in-training with two (2) years of airport paving experience.
- (3) An individual with three (3) years of highway and/or airport paving experience, with a Bachelor of Science Degree in Civil Engineering, Civil Engineering Technology or Construction.
- (4) Construction materials technician certified at Level III by the National Institute for Certification in Engineering Technologies (NICET).
- (5) Highway materials technician certified at Level III by NICET.
- (6) Highway construction technician certified at Level III by NICET.
- (7) A NICET certified engineering technician in Civil Engineering Technology with five (5) years of highway and/or airport paving experience.

The Program Administrator shall have full authority to institute any and all actions necessary for the successful implementation of the Quality Control Program to ensure compliance with the contract plans and technical specifications. The Program Administrator shall report directly to a responsible officer of the construction firm. The Program Administrator may supervise the Quality Control Program on more than one project provided that person can be at the job site within two (2) hours after being notified of a problem.

If, in the opinion of the Engineer, the project is of sufficient scope and size to warrant a full time, on-site Program Administrator, paragraph 100-03a should be modified accordingly.

b. Quality control technicians. A sufficient number of quality control technicians necessary to adequately implement the Quality Control Program shall be provided. These personnel shall be either Engineers, engineering technicians, or experienced craftsman with qualifications in the appropriate field equivalent to NICET Level II or higher construction materials technician or highway construction technician and shall have a minimum of two (2) years of experience in their area of expertise.

The quality control technicians shall report directly to the Program Administrator and shall perform the following functions:

- (1) Inspection of all materials, construction, plant, and equipment for conformance to the technical specifications, and as required by subsection 100-06.
- (2) Performance of all quality control tests as required by the technical specifications and subsection 100-07.
- (3) Performance of density tests for the Engineer when required by the technical specifications.

Certification at an equivalent level, by a state or nationally recognized organization will be acceptable in lieu of NICET certification.

c. Staffing levels. The Contractor shall provide sufficient qualified quality control personnel to monitor each work activity at all times. Where material is being produced in a plant for incorporation into the work, separate plant and field technicians shall be provided at each plant and field placement location. The scheduling and coordinating of all inspection and testing must match the type and pace of work activity. The Quality Control Program shall state where different technicians will be required for different work elements.

100-04 Project progress schedule. The Contractor shall submit a coordinated construction schedule for all work activities. The schedule shall be prepared as a network diagram in Critical Path Method (CPM), Program Evaluation and Review Technique (PERT), or other format, or as otherwise specified in the contract. As a minimum, it shall provide information on the sequence of work activities, milestone dates, and activity duration.

The Contractor shall maintain the work schedule and provide an update and analysis of the progress schedule on a twice monthly basis, or as otherwise specified in the contract. Submission of the work schedule shall not relieve the Contractor of overall responsibility for scheduling, sequencing, and coordinating all work to comply with the requirements of the contract.

100-05 Submittals schedule. The Contractor shall submit a detailed listing of all submittals (for example, mix designs, material certifications) and shop drawings required by the technical specifications. The listing can be developed in a spreadsheet format and shall include:

- a. Specification item number
- b. Item description
- c. Description of submittal
- d. Specification paragraph requiring submittal
- e. Scheduled date of submittal

100-06 Inspection requirements. Quality control inspection functions shall be organized to provide inspections for all definable features of work, as detailed below. All inspections shall be documented by the Contractor as specified by subsection 100-07.

Inspections shall be performed daily to ensure continuing compliance with contract requirements until completion of the particular feature of work. These shall include the following minimum requirements:

a. During plant operation for material production, quality control test results and periodic inspections shall be used to ensure the quality of aggregates and other mix components, and to adjust and control mix proportioning to meet the approved mix design and other requirements of the technical specifications. All equipment used in proportioning and mixing shall be inspected to ensure its proper operating condition. The Quality Control Program shall detail how these and other quality control functions will be accomplished and used.

b. During field operations, quality control test results and periodic inspections shall be used to ensure the quality of all materials and workmanship. All equipment used in placing, finishing, and compacting shall be inspected to ensure its proper operating condition and to ensure that all such operations are in conformance to the technical specifications and are within the plan dimensions, lines, grades, and tolerances specified. The Program shall document how these and other quality control functions will be accomplished and used.

100-07 Quality control testing plan. As a part of the overall Quality Control Program, the Contractor shall implement a quality control testing plan, as required by the technical specifications. The testing plan shall include the minimum tests and test frequencies required by each technical specification Item, as well

as any additional quality control tests that the Contractor deems necessary to adequately control production and/or construction processes.

The testing plan can be developed in a spreadsheet fashion and shall, as a minimum, include the following:

- a. Specification item number (for example, P-401)
- b. Item description (for example, Plant Mix Bituminous Pavements)
- c. Test type (for example, gradation, grade, asphalt content)
- d. Test standard (for example, ASTM or American Association of State Highway and Transportation Officials (AASHTO) test number, as applicable)
- e. Test frequency (for example, as required by technical specifications or minimum frequency when requirements are not stated)
- f. Responsibility (for example, plant technician)
- g. Control requirements (for example, target, permissible deviations)

The testing plan shall contain a statistically-based procedure of random sampling for acquiring test samples in accordance with ASTM D3665. The Engineer shall be provided the opportunity to witness quality control sampling and testing.

All quality control test results shall be documented by the Contractor as required by subsection 100-08.

100-08 Documentation. The Contractor shall maintain current quality control records of all inspections and tests performed. These records shall include factual evidence that the required inspections or tests have been performed, including type and number of inspections or tests involved; results of inspections or tests; nature of defects, deviations, causes for rejection, etc.; proposed remedial action; and corrective actions taken.

These records must cover both conforming and defective or deficient features, and must include a statement that all supplies and materials incorporated in the work are in full compliance with the terms of the contract. Legible copies of these records shall be furnished to the Engineer daily. The records shall cover all work placed subsequent to the previously furnished records and shall be verified and signed by the Contractor's Program Administrator.

Specific Contractor quality control records required for the contract shall include, but are not necessarily limited to, the following records:

a. Daily inspection reports. Each Contractor quality control technician shall maintain a daily log of all inspections performed for both Contractor and subcontractor operations. These technician's daily reports shall provide factual evidence that continuous quality control inspections have been performed and shall, as a minimum, include the following:

- (1) Technical specification item number and description
- (2) Compliance with approved submittals
- (3) Proper storage of materials and equipment
- (4) Proper operation of all equipment
- (5) Adherence to plans and technical specifications
- (6) Review of quality control tests
- (7) Safety inspection.

The daily inspection reports shall identify inspections conducted, results of inspections, location and nature of defects found, causes for rejection, and remedial or corrective actions taken or proposed.

The daily inspection reports shall be signed by the responsible quality control technician and the Program Administrator. The Engineer shall be provided at least one copy of each daily inspection report on the work day following the day of record.

b. Daily test reports. The Contractor shall be responsible for establishing a system that will record all quality control test results. Daily test reports shall document the following information:

- (1) Technical specification item number and description
- (2) Test designation
- (3) Location
- (4) Date of test
- (5) Control requirements
- (6) Test results
- (7) Causes for rejection
- (8) Recommended remedial actions
- (9) Retests

Test results from each day's work period shall be submitted to the Engineer prior to the start of the next day's work period. When required by the technical specifications, the Contractor shall maintain statistical quality control charts. The daily test reports shall be signed by the responsible quality control technician and the Program Administrator.

100-09 Corrective action requirements. The Quality Control Program shall indicate the appropriate action to be taken when a process is deemed, or believed, to be out of control (out of tolerance) and detail what action will be taken to bring the process into control. The requirements for corrective action shall include both general requirements for operation of the Quality Control Program as a whole, and for individual items of work contained in the technical specifications.

The Quality Control Program shall detail how the results of quality control inspections and tests will be used for determining the need for corrective action and shall contain clear sets of rules to gauge when a process is out of control and the type of correction to be taken to regain process control.

When applicable or required by the technical specifications, the Contractor shall establish and use statistical quality control charts for individual quality control tests. The requirements for corrective action shall be linked to the control charts.

100-10 Surveillance by the Engineer. All items of material and equipment shall be subject to surveillance by the Engineer at the point of production, manufacture or shipment to determine if the Contractor, producer, manufacturer or shipper maintains an adequate quality control system in conformance with the requirements detailed here and the applicable technical specifications and plans. In addition, all items of materials, equipment and work in place shall be subject to surveillance by the Engineer at the site for the same purpose.

Surveillance by the Engineer does not relieve the Contractor of performing quality control inspections of either on-site or off-site Contractor's or subcontractor's work.

100-11 Noncompliance.

a. The Engineer will notify the Contractor of any noncompliance with any of the foregoing requirements. The Contractor shall, after receipt of such notice, immediately take corrective action. Any

notice, when delivered by the Engineer or his or her authorized representative to the Contractor or his or her authorized representative at the site of the work, shall be considered sufficient notice.

b. In cases where quality control activities do not comply with either the Contractor Quality Control Program or the contract provisions, or where the Contractor fails to properly operate and maintain an effective Quality Control Program, as determined by the Engineer, the Engineer may:

- (1) Order the Contractor to replace ineffective or unqualified quality control personnel or subcontractors.
- (2) Order the Contractor to stop operations until appropriate corrective actions are taken.

END OF SECTION 100

Intentionally Left Blank

Section 105 Mobilization

105-1 Description. This item shall consist of work and operations, but is not limited to, work and operations necessary for the movement of personnel, equipment, material and supplies to and from the project site for work on the project except as provided in the contract as separate pay items.

105-1.1 Posted notices. Prior to commencement of construction activities the Contractor must post the following documents in a prominent and accessible place where they may be easily viewed by all employees of the prime Contractor and by all employees of subcontractors engaged by the prime Contractor: Equal Employment Opportunity (EEO) Poster “Equal Employment Opportunity is the Law” in accordance with the Office of Federal Contract Compliance Programs Executive Order 11246, as amended; Davis Bacon Wage Poster (WH 1321) - DOL “Notice to All Employees” Poster; and Applicable Davis-Bacon Wage Rate Determination. These notices must remain posted until final acceptance of the work by the Owner.

The Owner may include additional posted notices as required by local and State law.

105-2 Basis of measurement and payment. Based upon the contract lump sum price for “Mobilization” partial payments will be allowed as follows:

- a. With first pay request, 25%.
- b. When 25% or more of the original contract is earned, an additional 25%.
- c. When 50% or more of the original contract is earned, an additional 40%.
- d. After Final Inspection, Staging area clean-up and delivery of all Project Closeout materials as required by 90-11, the final 10%.

Item Mobilization may be added to project at Owner’s discretion. Rather than paying Contractor 100% of mobilization on first pay request, many Sponsors have found a payment schedule to be an effective way to reimburse Contractor for mobilization and demobilization. It is not required but it is recommended that the final 10% of this bid item not be paid until the Contractor has cleaned up the project staging area. The payment schedule can be altered, e.g., on small projects may not be appropriate to have more than two (2) payments.

END OF SECTION 105

Intentionally Left Blank

Section 110 Method of Estimating Percentage of Material Within Specification Limits (PWL)

Spreadsheets for PWL calculations are available at the following website:
http://www.faa.gov/airports/engineering/design_software/

110-01 General. When the specifications provide for acceptance of material based on the method of estimating percentage of material within specification limits (PWL), the PWL will be determined in accordance with this section. All test results for a lot will be analyzed statistically to determine the total estimated percent of the lot that is within specification limits. The PWL is computed using the sample average (\bar{X}) and sample standard deviation (S_n) of the specified number (n) of sublots for the lot and the specification tolerance limits, L for lower and U for upper, for the particular acceptance parameter. From these values, the respective Quality index, Q_L for Lower Quality Index and/or Q_U for Upper Quality Index, is computed and the PWL for the lot for the specified n is determined from Table 1. All specification limits specified in the technical sections shall be absolute values. Test results used in the calculations shall be to the significant figure given in the test procedure.

There is some degree of uncertainty (risk) in the measurement for acceptance because only a small fraction of production material (the population) is sampled and tested. This uncertainty exists because all portions of the production material have the same probability to be randomly sampled. The Contractor's risk is the probability that material produced at the acceptable quality level is rejected or subjected to a pay adjustment. The Owner's risk is the probability that material produced at the rejectable quality level is accepted.

It is the intent of this section to inform the Contractor that, in order to consistently offset the Contractor's risk for material evaluated, production quality (using population average and population standard deviation) must be maintained at the acceptable quality specified or higher. In all cases, it is the responsibility of the Contractor to produce at quality levels that will meet the specified acceptance criteria when sampled and tested at the frequencies specified.

110-02 Method for computing PWL. The computational sequence for computing PWL is as follows:

- a. Divide the lot into n sublots in accordance with the acceptance requirements of the specification.
- b. Locate the random sampling position within the subplot in accordance with the requirements of the specification.
- c. Make a measurement at each location, or take a test portion and make the measurement on the test portion in accordance with the testing requirements of the specification.
- d. Find the sample average (\bar{X}) for all subplot values within the lot by using the following formula:

$$\bar{X} = (x_1 + x_2 + x_3 + \dots + x_n) / n$$

Where: \bar{X} = Sample average of all subplot values within a lot

x_1, x_2 = Individual subplot values

n = Number of sublots

e. Find the sample standard deviation (S_n) by use of the following formula:

$$S_n = [(d_1^2 + d_2^2 + d_3^2 + \dots + d_n^2)/(n-1)]^{1/2}$$

Where: S_n = Sample standard deviation of the number of subplot values in the set

d_1, d_2 = Deviations of the individual subplot values x_1, x_2, \dots from the average value X

that is: $d_1 = (x_1 - X), d_2 = (x_2 - X) \dots d_n = (x_n - X)$

n = Number of sublots

f. For single sided specification limits (that is, L only), compute the Lower Quality Index Q_L by use of the following formula:

$$Q_L = (X - L) / S_n$$

Where: L = specification lower tolerance limit

Estimate the percentage of material within limits (PWL) by entering Table 1 with Q_L , using the column appropriate to the total number (n) of measurements. If the value of Q_L falls between values shown on the table, use the next higher value of PWL.

g. For double-sided specification limits (that is, L and U), compute the Quality Indexes Q_L and Q_U by use of the following formulas:

$$Q_L = (X - L) / S_n$$

and

$$Q_U = (U - X) / S_n$$

Where: L and U = specification lower and upper tolerance limits

Estimate the percentage of material between the lower (L) and upper (U) tolerance limits (PWL) by entering Table 1 separately with Q_L and Q_U , using the column appropriate to the total number (n) of measurements, and determining the percent of material above P_L and percent of material below P_U for each tolerance limit. If the values of Q_L fall between values shown on the table, use the next higher value of P_L or P_U . Determine the PWL by use of the following formula:

$$PWL = (P_U + P_L) - 100$$

Where: P_L = percent within lower specification limit

P_U = percent within upper specification limit

EXAMPLE OF PWL CALCULATION

Project: Example Project

Test Item: Item P-401, Lot A.

A. PWL Determination for Mat Density.

1. Density of four random cores taken from Lot A.

A-1 = 96.60

A-2 = 97.55

$$A-3 = 99.30$$

$$A-4 = 98.35$$

$$n = 4$$

2. Calculate average density for the lot.

$$X = (x_1 + x_2 + x_3 + \dots + x_n) / n$$

$$X = (96.60 + 97.55 + 99.30 + 98.35) / 4$$

$$X = 97.95\% \text{ density}$$

3. Calculate the standard deviation for the lot.

$$S_n = [((96.60 - 97.95)^2 + (97.55 - 97.95)^2 + (99.30 - 97.95)^2 + (98.35 - 97.95)^2) / (4 - 1)]^{1/2}$$

$$S_n = [(1.82 + 0.16 + 1.82 + 0.16) / 3]^{1/2}$$

$$S_n = 1.15$$

4. Calculate the Lower Quality Index Q_L for the lot. ($L=96.3$)

$$Q_L = (X - L) / S_n$$

$$Q_L = (97.95 - 96.30) / 1.15$$

$$Q_L = 1.4348$$

5. Determine PWL by entering Table 1 with $Q_L = 1.44$ and $n = 4$.

$$PWL = 98$$

B. PWL Determination for Air Voids.

1. Air Voids of four random samples taken from Lot A.

$$A-1 = 5.00$$

$$A-2 = 3.74$$

$$A-3 = 2.30$$

$$A-4 = 3.25$$

2. Calculate the average air voids for the lot.

$$X = (x_1 + x_2 + x_3 + \dots + x_n) / n$$

$$X = (5.00 + 3.74 + 2.30 + 3.25) / 4$$

$$X = 3.57\%$$

3. Calculate the standard deviation S_n for the lot.

$$S_n = [((3.57 - 5.00)^2 + (3.57 - 3.74)^2 + (3.57 - 2.30)^2 + (3.57 - 3.25)^2) / (4 - 1)]^{1/2}$$

$$S_n = [(2.04 + 0.03 + 1.62 + 0.10) / 3]^{1/2}$$

$$S_n = 1.12$$

4. Calculate the Lower Quality Index Q_L for the lot. ($L = 2.0$)

$$Q_L = (X - L) / S_n$$

$$Q_L = (3.57 - 2.00) / 1.12$$

$$Q_L = 1.3992$$

5. Determine P_L by entering Table 1 with $Q_L = 1.41$ and $n = 4$.

$$P_L = 97$$

6. Calculate the Upper Quality Index Q_U for the lot. ($U = 5.0$)

$$Q_U = (U - \bar{X}) / S_n$$

$$Q_U = (5.00 - 3.57) / 1.12$$

$$Q_U = 1.2702$$

7. Determine P_U by entering Table 1 with $Q_U = 1.29$ and $n = 4$.

$$P_U = 93$$

8. Calculate Air Voids PWL

$$PWL = (P_L + P_U) - 100$$

$$PWL = (97 + 93) - 100 = 90$$

EXAMPLE OF OUTLIER CALCULATION (REFERENCE ASTM E178)

Project: Example Project

Test Item: Item P-401, Lot A.

A. Outlier Determination for Mat Density.

1. Density of four random cores taken from Lot A arranged in descending order.

$$A-3 = 99.30$$

$$A-4 = 98.35$$

$$A-2 = 97.55$$

$$A-1 = 96.60$$

2. Use $n=4$ and upper 5% significance level of to find the critical value for test criterion = 1.463.

3. Use average density, standard deviation, and test criterion value to evaluate density measurements.

- a. For measurements greater than the average:

If $(\text{measurement} - \text{average}) / (\text{standard deviation})$ is less than test criterion, then the measurement is not considered an outlier

For A-3, check if $(99.30 - 97.95) / 1.15$ is greater than 1.463.

Since 1.174 is less than 1.463, the value is not an outlier.

- b. For measurements less than the average:

If $(\text{average} - \text{measurement}) / (\text{standard deviation})$ is less than test criterion, then the measurement is not considered an outlier.

For A-1, check if $(97.95 - 96.60) / 1.15$ is greater than 1.463.

Since 1.135 is less than 1.463, the value is not an outlier.

Note: In this example, a measurement would be considered an outlier if the density were:

$$\text{Greater than } (97.95 + 1.463 \times 1.15) = 99.63\%$$

OR

$$\text{less than } (97.95 - 1.463 \times 1.15) = 96.27\%.$$

Table 1. Table for Estimating Percent of Lot Within Limits (PWL)

Percent Within Limits (P_L and P_U)	Positive Values of Q (Q_L and Q_U)							
	n=3	n=4	n=5	n=6	n=7	n=8	n=9	n=10
99	1.1541	1.4700	1.6714	1.8008	1.8888	1.9520	1.9994	2.0362
98	1.1524	1.4400	1.6016	1.6982	1.7612	1.8053	1.8379	1.8630
97	1.1496	1.4100	1.5427	1.6181	1.6661	1.6993	1.7235	1.7420
96	1.1456	1.3800	1.4897	1.5497	1.5871	1.6127	1.6313	1.6454
95	1.1405	1.3500	1.4407	1.4887	1.5181	1.5381	1.5525	1.5635
94	1.1342	1.3200	1.3946	1.4329	1.4561	1.4717	1.4829	1.4914
93	1.1269	1.2900	1.3508	1.3810	1.3991	1.4112	1.4199	1.4265
92	1.1184	1.2600	1.3088	1.3323	1.3461	1.3554	1.3620	1.3670
91	1.1089	1.2300	1.2683	1.2860	1.2964	1.3032	1.3081	1.3118
90	1.0982	1.2000	1.2290	1.2419	1.2492	1.2541	1.2576	1.2602
89	1.0864	1.1700	1.1909	1.1995	1.2043	1.2075	1.2098	1.2115
88	1.0736	1.1400	1.1537	1.1587	1.1613	1.1630	1.1643	1.1653
87	1.0597	1.1100	1.1173	1.1192	1.1199	1.1204	1.1208	1.1212
86	1.0448	1.0800	1.0817	1.0808	1.0800	1.0794	1.0791	1.0789
85	1.0288	1.0500	1.0467	1.0435	1.0413	1.0399	1.0389	1.0382
84	1.0119	1.0200	1.0124	1.0071	1.0037	1.0015	1.0000	0.9990
83	0.9939	0.9900	0.9785	0.9715	0.9671	0.9643	0.9624	0.9610
82	0.9749	0.9600	0.9452	0.9367	0.9315	0.9281	0.9258	0.9241
81	0.9550	0.9300	0.9123	0.9025	0.8966	0.8928	0.8901	0.8882
80	0.9342	0.9000	0.8799	0.8690	0.8625	0.8583	0.8554	0.8533
79	0.9124	0.8700	0.8478	0.8360	0.8291	0.8245	0.8214	0.8192
78	0.8897	0.8400	0.8160	0.8036	0.7962	0.7915	0.7882	0.7858
77	0.8662	0.8100	0.7846	0.7716	0.7640	0.7590	0.7556	0.7531
76	0.8417	0.7800	0.7535	0.7401	0.7322	0.7271	0.7236	0.7211
75	0.8165	0.7500	0.7226	0.7089	0.7009	0.6958	0.6922	0.6896
74	0.7904	0.7200	0.6921	0.6781	0.6701	0.6649	0.6613	0.6587
73	0.7636	0.6900	0.6617	0.6477	0.6396	0.6344	0.6308	0.6282
72	0.7360	0.6600	0.6316	0.6176	0.6095	0.6044	0.6008	0.5982
71	0.7077	0.6300	0.6016	0.5878	0.5798	0.5747	0.5712	0.5686
70	0.6787	0.6000	0.5719	0.5582	0.5504	0.5454	0.5419	0.5394
69	0.6490	0.5700	0.5423	0.5290	0.5213	0.5164	0.5130	0.5105
68	0.6187	0.5400	0.5129	0.4999	0.4924	0.4877	0.4844	0.4820
67	0.5878	0.5100	0.4836	0.4710	0.4638	0.4592	0.4560	0.4537
66	0.5563	0.4800	0.4545	0.4424	0.4355	0.4310	0.4280	0.4257
65	0.5242	0.4500	0.4255	0.4139	0.4073	0.4030	0.4001	0.3980
64	0.4916	0.4200	0.3967	0.3856	0.3793	0.3753	0.3725	0.3705
63	0.4586	0.3900	0.3679	0.3575	0.3515	0.3477	0.3451	0.3432
62	0.4251	0.3600	0.3392	0.3295	0.3239	0.3203	0.3179	0.3161
61	0.3911	0.3300	0.3107	0.3016	0.2964	0.2931	0.2908	0.2892
60	0.3568	0.3000	0.2822	0.2738	0.2691	0.2660	0.2639	0.2624
59	0.3222	0.2700	0.2537	0.2461	0.2418	0.2391	0.2372	0.2358
58	0.2872	0.2400	0.2254	0.2186	0.2147	0.2122	0.2105	0.2093
57	0.2519	0.2100	0.1971	0.1911	0.1877	0.1855	0.1840	0.1829
56	0.2164	0.1800	0.1688	0.1636	0.1607	0.1588	0.1575	0.1566
55	0.1806	0.1500	0.1406	0.1363	0.1338	0.1322	0.1312	0.1304
54	0.1447	0.1200	0.1125	0.1090	0.1070	0.1057	0.1049	0.1042
53	0.1087	0.0900	0.0843	0.0817	0.0802	0.0793	0.0786	0.0781
52	0.0725	0.0600	0.0562	0.0544	0.0534	0.0528	0.0524	0.0521
51	0.0363	0.0300	0.0281	0.0272	0.0267	0.0264	0.0262	0.0260
50	0.0000	0.0000	0.0000	0.0000	0.0000	0.0000	0.0000	0.0000

Percent Within Limits (P_L and P_U)	Negative Values of Q (Q_L and Q_U)							
	n=3	n=4	n=5	n=6	n=7	n=8	n=9	n=10
49	-0.0363	-0.0300	-0.0281	-0.0272	-0.0267	-0.0264	-0.0262	-0.0260
48	-0.0725	-0.0600	-0.0562	-0.0544	-0.0534	-0.0528	-0.0524	-0.0521
47	-0.1087	-0.0900	-0.0843	-0.0817	-0.0802	-0.0793	-0.0786	-0.0781
46	-0.1447	-0.1200	-0.1125	-0.1090	-0.1070	-0.1057	-0.1049	-0.1042
45	-0.1806	-0.1500	-0.1406	-0.1363	-0.1338	-0.1322	-0.1312	-0.1304
44	-0.2164	-0.1800	-0.1688	-0.1636	-0.1607	-0.1588	-0.1575	-0.1566
43	-0.2519	-0.2100	-0.1971	-0.1911	-0.1877	-0.1855	-0.1840	-0.1829
42	-0.2872	-0.2400	-0.2254	-0.2186	-0.2147	-0.2122	-0.2105	-0.2093
41	-0.3222	-0.2700	-0.2537	-0.2461	-0.2418	-0.2391	-0.2372	-0.2358
40	-0.3568	-0.3000	-0.2822	-0.2738	-0.2691	-0.2660	-0.2639	-0.2624
39	-0.3911	-0.3300	-0.3107	-0.3016	-0.2964	-0.2931	-0.2908	-0.2892
38	-0.4251	-0.3600	-0.3392	-0.3295	-0.3239	-0.3203	-0.3179	-0.3161
37	-0.4586	-0.3900	-0.3679	-0.3575	-0.3515	-0.3477	-0.3451	-0.3432
36	-0.4916	-0.4200	-0.3967	-0.3856	-0.3793	-0.3753	-0.3725	-0.3705
35	-0.5242	-0.4500	-0.4255	-0.4139	-0.4073	-0.4030	-0.4001	-0.3980
34	-0.5563	-0.4800	-0.4545	-0.4424	-0.4355	-0.4310	-0.4280	-0.4257
33	-0.5878	-0.5100	-0.4836	-0.4710	-0.4638	-0.4592	-0.4560	-0.4537
32	-0.6187	-0.5400	-0.5129	-0.4999	-0.4924	-0.4877	-0.4844	-0.4820
31	-0.6490	-0.5700	-0.5423	-0.5290	-0.5213	-0.5164	-0.5130	-0.5105
30	-0.6787	-0.6000	-0.5719	-0.5582	-0.5504	-0.5454	-0.5419	-0.5394
29	-0.7077	-0.6300	-0.6016	-0.5878	-0.5798	-0.5747	-0.5712	-0.5686
28	-0.7360	-0.6600	-0.6316	-0.6176	-0.6095	-0.6044	-0.6008	-0.5982
27	-0.7636	-0.6900	-0.6617	-0.6477	-0.6396	-0.6344	-0.6308	-0.6282
26	-0.7904	-0.7200	-0.6921	-0.6781	-0.6701	-0.6649	-0.6613	-0.6587
25	-0.8165	-0.7500	-0.7226	-0.7089	-0.7009	-0.6958	-0.6922	-0.6896
24	-0.8417	-0.7800	-0.7535	-0.7401	-0.7322	-0.7271	-0.7236	-0.7211
23	-0.8662	-0.8100	-0.7846	-0.7716	-0.7640	-0.7590	-0.7556	-0.7531
22	-0.8897	-0.8400	-0.8160	-0.8036	-0.7962	-0.7915	-0.7882	-0.7858
21	-0.9124	-0.8700	-0.8478	-0.8360	-0.8291	-0.8245	-0.8214	-0.8192
20	-0.9342	-0.9000	-0.8799	-0.8690	-0.8625	-0.8583	-0.8554	-0.8533
19	-0.9550	-0.9300	-0.9123	-0.9025	-0.8966	-0.8928	-0.8901	-0.8882
18	-0.9749	-0.9600	-0.9452	-0.9367	-0.9315	-0.9281	-0.9258	-0.9241
17	-0.9939	-0.9900	-0.9785	-0.9715	-0.9671	-0.9643	-0.9624	-0.9610
16	-1.0119	-1.0200	-1.0124	-1.0071	-1.0037	-1.0015	-1.0000	-0.9990
15	-1.0288	-1.0500	-1.0467	-1.0435	-1.0413	-1.0399	-1.0389	-1.0382
14	-1.0448	-1.0800	-1.0817	-1.0808	-1.0800	-1.0794	-1.0791	-1.0789
13	-1.0597	-1.1100	-1.1173	-1.1192	-1.1199	-1.1204	-1.1208	-1.1212
12	-1.0736	-1.1400	-1.1537	-1.1587	-1.1613	-1.1630	-1.1643	-1.1653
11	-1.0864	-1.1700	-1.1909	-1.1995	-1.2043	-1.2075	-1.2098	-1.2115
10	-1.0982	-1.2000	-1.2290	-1.2419	-1.2492	-1.2541	-1.2576	-1.2602
9	-1.1089	-1.2300	-1.2683	-1.2860	-1.2964	-1.3032	-1.3081	-1.3118
8	-1.1184	-1.2600	-1.3088	-1.3323	-1.3461	-1.3554	-1.3620	-1.3670
7	-1.1269	-1.2900	-1.3508	-1.3810	-1.3991	-1.4112	-1.4199	-1.4265
6	-1.1342	-1.3200	-1.3946	-1.4329	-1.4561	-1.4717	-1.4829	-1.4914
5	-1.1405	-1.3500	-1.4407	-1.4887	-1.5181	-1.5381	-1.5525	-1.5635
4	-1.1456	-1.3800	-1.4897	-1.5497	-1.5871	-1.6127	-1.6313	-1.6454
3	-1.1496	-1.4100	-1.5427	-1.6181	-1.6661	-1.6993	-1.7235	-1.7420
2	-1.1524	-1.4400	-1.6016	-1.6982	-1.7612	-1.8053	-1.8379	-1.8630
1	-1.1541	-1.4700	-1.6714	-1.8008	-1.8888	-1.9520	-1.9994	-2.0362

END OF SECTION 110

Part 2 – Earthwork

Item P-101 Surface Preparation

DESCRIPTION

101-1.1 This item shall consist of preparation of existing pavement surfaces for overlay, surface treatments, removal of existing pavement, and other miscellaneous items. The work shall be accomplished in accordance with these specifications and the applicable drawings.

EQUIPMENT

101-2.1 All equipment shall be specified here and in the following paragraphs or approved by the Engineer. The equipment shall not cause damage to the pavement to remain in place.

CONSTRUCTION

101-3.1 Removal of existing pavement.

a. Concrete pavement. The existing concrete pavement to be removed shall be freed from the pavement to remain by sawing through the complete depth of the slab one foot (30 cm) inside the perimeter of the final removal limits or outside the dowels, whichever is greater when the limits of removal are located on the joints. The pavement between the perimeter of the pavement removal and the saw cut shall be carefully broken up and removed using hand-held jackhammers, weighing 30 pounds (14 kg) or less, or other light-duty equipment which will not cause distress in the pavement which is to remain in place. The Contractor shall have the option of sawing through the dowels at the joint, removing the pavement and installing new dowels. Where the perimeter of the removal limits is not located on the joint and there are no dowels present, then the perimeter shall be saw cut the full depth of the pavement. The pavement inside the saw cut shall be removed by methods suitable to the Engineer which will not cause distress in the pavement which is to remain in place. If the material is to be wasted on the airport site, it shall be reduced to a maximum size designated by the Engineer. The Contractor’s removal operation shall not cause damage to cables, utility ducts, pipelines, or drainage structures under the pavement. Concrete slabs that are damaged by under breaking shall be removed. Any damage shall be repaired at the Contractor’s expense.

The Engineer may specify other methods of concrete removal such as saw cutting the slab to be removed full depth to divide it into several pieces which can be lifted out and removed. Cold milling may also be an option.

b. Asphalt concrete pavement. Asphalt concrete pavement to be removed shall be cut to the full depth of the bituminous material around the perimeter of the area to be removed. The pavement shall be removed so the joint for each layer of pavement replacement is offset 1 foot (30 cm) from the joint in the preceding layer. This does not apply if the removed pavement is to be replaced with concrete or soil. If

the material is to be wasted on the airport site, it shall be [broken to a maximum size of [] inches (mm).] [meet the following gradation: [].]

The Engineer shall designate the maximum size or insert the gradation required.

101-3.2 Preparation of joints and cracks. Remove all vegetation and debris from cracks to a minimum depth of 1 inch (25 mm). If extensive vegetation exists treat the specific area with a concentrated solution of a water-based herbicide approved by the Engineer. Fill all cracks, ignoring hairline cracks (< 1/4 inch (6 mm) wide) with a crack sealant per ASTM D6690. Wider cracks (over 1-1/2 inch wide (38 mm)), along with soft or sunken spots, indicate that the pavement or the pavement base should be repaired or replaced as stated below. Any excess joint or crack sealer on the surface of the pavement shall also be removed from the pavement surface.

[Cracks and joints may be filled with a mixture of emulsified asphalt and aggregate. The aggregate shall consist of limestone, volcanic ash, sand, or other material that will cure to form a hard substance. The combined gradation shall be as shown in the following table.

Gradation

Sieve Size	Percent Passing
No. 4	100
No. 8	90-100
No. 16	65-90
No. 30	40-60
No. 50	25-42
No. 100	15-30
No. 200	10-20

Up to 3% cement can be added to accelerate the set time. The mixture shall not contain more than 20% natural sand without approval in writing from the Engineer.

The proportions of asphalt emulsion and aggregate shall be determined in the field and may be varied to facilitate construction requirements. Normally, these proportions will be approximately one part asphalt emulsion to five parts aggregate by volume. The material shall be poured or placed into the joints or cracks and compacted to form a voidless mass. The joint or crack shall be filled within 0 to 1/8 inches (0-3 mm) of the surface. Any material spilled outside the width of the joint shall be removed from the pavement surface prior to constructing the overlay. Where concrete overlays are to be constructed, only the excess joint material on the pavement surface and vegetation in the joints need to be removed.]

The Engineer may also include the option for the emulsified asphalt and aggregate and allow the Contractor to use either option.

101-3.3 Removal of paint and rubber. All paint and rubber over 1 foot (30 cm) wide that will affect the bond of the new overlay shall be removed from the surface of the existing pavement. Chemicals, high-pressure water, heater scarifier (asphaltic concrete only), cold milling, or sandblasting may be used. Any methods used shall not cause major damage to the pavement. Major damage is defined as changing the properties of the pavement or removing pavement over 1/8 inch (3 mm) deep. If chemicals are used, they shall comply with the state’s environmental protection regulations. No material shall be deposited on the runway shoulders. All wastes shall be disposed of in areas indicated in this specification or shown on the plans.

This specification shall not be used for removal of rubber deposits to improve skid resistance or obliterate traffic markings where a new overlay is not constructed.

101-3.4 Concrete spall or failed asphaltic concrete pavement repair.

a. Repair of concrete spalls in areas to be overlaid with asphalt. The Contractors shall repair all spalled concrete as shown on the plans or as directed by the Engineer. The perimeter of the repair shall be saw cut a minimum of 2 inches (50 mm) outside the affected area and 2 inches (50 mm) deep. The deteriorated material shall be removed to a depth where the existing material is firm or cannot be easily removed with a geologist pick. The removed area shall be filled with asphaltic concrete with a minimum Marshall stability of 1,200 lbs (544 kg) and maximum flow of 20 (units of 0.01 in). The material shall be compacted with equipment approved by the Engineer until the material is dense and no movement or marks are visible. The material shall not be placed in lifts over 4 inches (100 mm) in depth. This method of repair applies only to pavement to be overlaid.

b. Asphaltic concrete pavement repair. The failed areas shall be removed as specified in paragraph 101-3.1b. All failed material including surface, base course, subbase course, and subgrade shall be removed. The base course and subbase shall be replaced if it has been infiltrated with clay, silt, or other material affecting the load-bearing capacity. Materials and methods of construction shall comply with the other applicable sections of this specification.

101-3.5 Cold milling. Milling shall be performed with a power-operated milling machine or grinder, capable of producing a finished surface that provides a good bond to the new overlay. The milling machine or grinder shall operate without tearing or gouging the under laying surface. The milling machine or grinder shall be equipped with automatic grade and slope controls. All millings shall be removed and disposed off Airport property, unless otherwise specified. If the Contractor mills or grinds deeper or wider than the plans specify, the Contractor shall replace the material that was removed with new material at no additional cost to the Owner.

a. Patching. The milling machine shall be capable of cutting a vertical edge without chipping or spalling the edges of the remaining pavement and it shall have a positive method of controlling the depth of cut. The Engineer shall layout the area to be milled with a straightedge in increments of 1 foot (30 cm) widths. The area to be milled shall cover only the failed area. Any excessive area that is milled because the Contractor doesn’t have the appropriate milling machine, or areas that are damaged because of his negligence, shall not be included in the measurement for payment.

b. Profiling, grade correction, or surface correction. The milling machine shall have a minimum width of [7] feet([2] m) and it shall be equipped with electronic grade control devices that will cut the surface to the grade and tolerances specified. The machine shall cut vertical edges. A positive method of dust control shall be provided. The machine shall have the ability to [windrow the millings or cuttings] [remove the millings or cuttings from the pavement and load them into a truck].

c. Clean-up. The Contractor shall sweep the milled surface daily and immediately after the milling until all residual aggregate and fines are removed from the pavement surface. Prior to paving, the Contractor shall wet down the milled pavement and thoroughly sweep and/or blow the surface to remove any remaining aggregate or fines.

101-3.6. Preparation of asphalt pavement surfaces. Existing asphalt pavements indicated to be treated with a surface treatment shall be prepared as follows:

a. Patch asphalt pavement surfaces that have been softened by petroleum derivatives or have failed due to any other cause. Remove damaged pavement to the full depth of the damage and replace with new asphalt concrete similar to that of the existing pavement in accordance with paragraph 101-3.4.

b. Repair joints and cracks in accordance with paragraph 101-3.2.

c. Remove oil or grease that has not penetrated the asphalt pavement by scraping or by scrubbing with a detergent, then wash thoroughly with clean water. After cleaning, treat these areas with an oil spot primer.

d. Clean pavement surface immediately prior to placing the surface treatment by sweeping, flushing well with water leaving no standing water, or a combination of both, so that it is free of dust, dirt, grease, vegetation, oil or any type of objectionable surface film.

101-3.7 Maintenance. The Contractor shall perform all maintenance work necessary to keep the pavement in a satisfactory condition until the full section is complete and accepted by the Engineer. The surface shall be kept clean and free from foreign material. The pavement shall be properly drained at all times. If cleaning is necessary or if the pavement becomes disturbed, any work repairs necessary shall be performed at the Contractor's expense.

101-3.8 Preparation of Joints in Rigid Pavement.

101-3.8.1 Removal of Existing Joint Sealant. All existing joint sealants will be removed by plowing or use of hand tools. Any remaining sealant and or debris will be removed by use of wire brushes or other tools as necessary. Resaw joints removing no more than 1/16 inch (2 mm) from each joint face. Immediately after sawing, flush out joint with water and other tools as necessary to completely remove the slurry. Allow sufficient time to dry out joints prior to sealing.

101-3.8.2 Cleaning prior to sealing. Immediately before sealing, joints shall be cleaned by removing any remaining laitance and other foreign material. Clean joints by sandblasting, or other method approved by the Engineer, on each joint face with nozzle held at an angle and not more than three inches (75 mm) from face. Following sandblasting, clean joints with air free of oil and water. Joint surfaces will be surface-dry prior to installation of sealant.

101-3.9 Preparation of Cracks in Flexible Pavement.

101-3.9.1 Preparation of Crack. Widen crack with [router] [random crack saw] by removing a minimum of 1/16 inch (2 mm) from each side of crack. Immediately before sealing, joints will be blown out with a hot air lance combined with oil and water-free compressed air.

101-3.9.2 Removal of Existing Sealant. Existing sealants will be removed by [routing] [random crack saw]. Following [routing][sawing] any remaining debris will be removed by use of a hot lance combined with oil and water-free compressed air.

METHOD OF MEASUREMENT

[**101-4.1 Lump sum.** No separate measurement for payment will be made. The work covered by this section shall be considered as a subsidiary obligation of the Contractor and covered under the other contract items.]

[**101-4.1 Pavement removal.** The unit of measurement for pavement removal shall be the number of square yards (square meters) removed by the Contractor. Any pavement removed outside the limits of removal because the pavement was damaged by negligence on the part of the Contractor shall not be included in the measurement for payment.

101-4.2 Joint and crack repair. The unit of measurement for joint and crack repair shall be the linear foot (meter) of joint.

101-4.3 Paint and rubber removal. The unit of measurement for paint and rubber removal shall be the square foot (meter).

101-4.4 Spalled and failed asphaltic concrete pavement repair:

a. The unit of measure for concrete spall repair shall be the number of square feet (square meter). The location and average depth of the patch shall be determined and agreed upon by the Engineer and the Contractor.

b. The unit of measure for failed asphaltic concrete pavement shall be square feet (square meter).

101-4.5 Cold milling. The unit of measure for cold milling shall be [] inches of milling per square yard (square meter). The location and average depth of the cold milling shall be determined and agreed to by the Engineer and the Contractor prior to beginning the work. If the initial cut doesn't correct the condition and surface correction is required, the Contractor shall re-mill the area and will be paid only once for the total depth of milling.]

The Engineer shall select the applicable items above for each project and delete the others. Items such as cold milling may be specified multiple times.

BASIS OF PAYMENT

101-5.1 Payment. Payment shall be made at contract unit price for the unit of measurement as specified above. This price shall be full compensation for furnishing all materials and for all preparation, hauling, and placing of the material and for all labor, equipment, tools, and incidentals necessary to complete this item.

- Item P 101-5.1 Pavement Removal
- Item P 101-5.2 Joint and Crack Repair
- Item P 101-5.3 Paint and Rubber Removal
- Item P-101-5.4 Spalled and Failed Asphaltic Concrete Pavement Repair:
 - (1) Concrete Spall Repair
 - (2) Failed asphaltic concrete pavement:
- Item P-101-5.5 Cold Milling

The Engineer shall coordinate paragraphs 101-4.1 and 101-5.1 for each project.

For a lump sum contract, replace Paragraph 101-5.1 Payment with the following:

101-5.1 Payment. The work covered by this section shall be considered as a subsidiary obligation of the Contractor covered under the other contract items. No separate payment will be made. This shall be full compensation for furnishing all materials and for all preparation, hauling, and placing of the material and for all labor, equipment, tools, and incidentals necessary to complete this item.

MATERIAL REQUIREMENTS

- ASTM D6690 Standard Specification For Joint And Crack Sealants, Hot Applied, For Concrete And Asphalt Pavements

END OF ITEM P-101

Item P-151 Clearing and Grubbing

DESCRIPTION

151-1.1 This item shall consist of clearing or clearing and grubbing, including the disposal of materials, for all areas within the limits designated on the plans or as required by the Engineer.

a. Clearing shall consist of the cutting and removal of all trees, stumps, brush, logs, hedges, the removal of fences and other loose or projecting material from the designated areas. The grubbing of stumps and roots will not be required.

b. Clearing and grubbing shall consist of clearing the surface of the ground of the designated areas of all trees, stumps, down timber, logs, snags, brush, undergrowth, hedges, heavy growth of grass or weeds, fences, structures, debris, and rubbish of any nature, natural obstructions or such material which in the opinion of the Engineer is unsuitable for the foundation of strips, pavements, or other required structures, including the grubbing of stumps, roots, matted roots, foundations, and the disposal from the project of all spoil materials resulting from clearing and grubbing.

CONSTRUCTION METHODS

151-2.1 General. The areas denoted on the plans to be cleared or cleared and grubbed shall be staked on the ground by the Engineer. The clearing and grubbing shall be done at a satisfactory distance in advance of the grading operations.

All spoil materials removed by clearing or by clearing and grubbing shall be disposed of [in the designated waste disposal area] [outside the Airport's limits at the Contractor's responsibility] [by burning], except when otherwise directed by the Engineer. [When burning of material is permitted, it shall be burned under the constant overseeing of a watchman to assure the surrounding vegetation and other adjacent property is not jeopardized. Burning shall be done in accordance with all applicable Federal, state and local laws, ordinances, and regulations. The Contractor shall notify the agency having jurisdiction and obtain all approvals in writing before starting any burning operations.] As far as practicable, waste concrete and masonry shall be placed on slopes of embankments or channels. When embankments are constructed of such material, this material shall be placed in accordance with requirements for formation of embankments. Any broken concrete or masonry that cannot be used in construction and all other materials not considered suitable for use elsewhere, shall be disposed of by the Contractor. In no case shall any discarded materials be left in windrows or piles adjacent to or within the airport limits. The manner and location of disposal of materials shall be subject to the approval of the Engineer and shall not create an unsightly or objectionable view. When the Contractor is required to locate a disposal area outside the airport property limits, the Contractor shall obtain and file with the Engineer permission in writing from the property owner for the use of private property for this purpose.

[Blasting shall not be allowed.] [Perform blasting in accordance with all Federal, state, and local safety regulations. Submit notice 15 days prior to starting work. Submit a Blasting Plan, prepared and sealed by a registered professional Engineer, that includes

calculations for overpressure and debris hazard. Obtain written approval prior to performing any blasting and notify the Engineer 24 hours prior to blasting. Include provisions for storing, handling and transporting explosives as well as for the blasting operations in the plan. The Contractor is responsible for damage caused by blasting operations.]

The removal of existing structure and utilities required to permit orderly progress of work shall be accomplished by local agencies, unless otherwise shown on the plans. Whenever a telephone or telegraph pole, pipeline, conduit, sewer, roadway, or other utility is encountered and must be removed or relocated, the Contractor shall advise the Engineer who will notify the proper local authority or owner to secure prompt action.

151-2.2 Clearing. The Contractor shall clear the staked or indicated area of all objectionable materials. Trees unavoidably falling outside the specified clearing limits must be cut up, removed, and disposed of in a satisfactory manner. To minimize damage to trees that are to be left standing, trees shall be felled toward the center of the area being cleared. The Contractor shall preserve and protect from injury all trees not to be removed. The trees, stumps, and brush shall be cut flush with the original ground surface. The grubbing of stumps and roots will not be required.

Fences shall be removed and disposed of as directed by the Engineer. Fence wire shall be neatly rolled and the wire and posts stored on the airport if they are to be used again, or stored at a location designated by the Engineer if the fence is to remain the property of a local owner or authority.

151-2.3 Clearing and grubbing. In areas designated to be cleared and grubbed, all stumps, roots, buried logs, brush, grass, and other unsatisfactory materials shall be removed, except where embankments exceeding 3-1/2 feet (105 cm) in depth will be constructed outside of paved areas. For embankments constructed outside of paved areas, all unsatisfactory materials shall be removed, but sound trees, stumps, and brush can be cut off flush with the original ground and allowed to remain. Tap roots and other projections over 1-1/2 inches (38 mm) in diameter shall be grubbed out to a depth of at least 18 inches (0.5 m) below the finished subgrade or slope elevation.

Any buildings and miscellaneous structures that are shown on the plans to be removed shall be demolished or removed, and all materials shall be disposed of by removal from the site. The cost of removal is incidental to this item. The remaining or existing foundations, wells, cesspools, and like structures shall be destroyed by breaking down the materials of which the foundations, wells, cesspools, etc., are built to a depth at least 2 feet (60 cm) below the existing surrounding ground. Any broken concrete, blocks, or other objectionable material that cannot be used in backfill shall be removed and disposed of at the Contractor's expense. The holes or openings shall be backfilled with acceptable material and properly compacted.

All holes under embankment areas remaining after the grubbing operation shall have the sides of the holes flattened to facilitate filling with acceptable material and compacting as required in Item P-152. The same procedure shall be applied to all holes remaining after grubbing in areas where the depth of holes exceeds the depth of the proposed excavation.

METHOD OF MEASUREMENT

151-3.1 The quantities of clearing or clearing and grubbing as shown by the limits on the plans or as ordered by the Engineer shall be the number of acres (square meters) or fractions thereof, of land specifically cleared or cleared and grubbed.

BASIS OF PAYMENT

151-4.1 Payment shall be made at the contract unit price per acre (square meter) for clearing. This price shall be full compensation for furnishing all materials and for all labor, equipment, tools, and incidentals necessary to complete the item.

151-4.2 Payment shall be made at the contract unit price per acre (square meter) for clearing and grubbing. This price shall be full compensation for furnishing all materials and for all labor, equipment, tools, and incidentals necessary to complete the item.

Payment will be made under:

- | | |
|----------------|---|
| Item P-151-4.1 | Clearing - per acre (square meter) |
| Item P-151-4.2 | Clearing and grubbing - per acre (square meter) |

END OF ITEM P-151

Intentionally Left Blank

Item P-152 Excavation, Subgrade, and Embankment

DESCRIPTION

152-1.1 This item covers excavation, disposal, placement, and compaction of all materials within the limits of the work required to construct safety areas, runways, taxiways, aprons, and intermediate areas as well as other areas for drainage, building construction, parking, or other purposes in accordance with these specifications and in conformity to the dimensions and typical sections shown on the plans.

152-1.2 Classification. All material excavated shall be classified as defined below:

a. Unclassified excavation. Unclassified excavation shall consist of the excavation and disposal of all material, regardless of its nature [which is not otherwise classified and paid for under one of the following items].

[**b. Rock excavation.** Rock excavation shall include all solid rock in ledges, in bedded deposits, in unstratified masses, and conglomerate deposits which are so firmly cemented they cannot be removed without blasting or using rippers. All boulders containing a volume of more than 1/2 cubic yard (0.4 m³) will be classified as "rock excavation."

c. Muck excavation. Muck excavation shall consist of the removal and disposal of deposits or mixtures of soils and organic matter not suitable for foundation material. Muck shall include materials that will decay or produce subsidence in the embankment. It may consist of decaying stumps, roots, logs, humus, or other material not satisfactory for incorporation in the embankment.

d. Drainage excavation. Drainage excavation shall consist of all excavation made for the primary purpose of drainage and includes drainage ditches, such as intercepting, inlet or outlet ditches; temporary levee construction; or any other type as shown on the plans.

e. Borrow excavation. Borrow excavation shall consist of approved material required for the construction of embankments or for other portions of the work in excess of the quantity of usable material available from required excavations. Borrow material shall be obtained from areas designated by the Engineer within the limits of the airport property but outside the normal limits of necessary grading, or from areas outside the airport boundaries.]

All material excavated shall be considered "unclassified" unless the Engineer specifies other classifications in the project specifications.

Delete the classifications not applicable to a project.

152-1.3 Unsuitable excavation. Any material containing vegetable or organic matter, such as muck, peat, organic silt, or sod shall be considered unsuitable for use in embankment construction. Material, suitable for topsoil may be used on the embankment slope when approved by the Engineer.

CONSTRUCTION METHODS

152-2.1 General. Before beginning excavation, grading, and embankment operations in any area, the area shall be completely cleared and grubbed in accordance with Item P-151.

The suitability of material to be placed in embankments shall be subject to approval by the Engineer. All unsuitable material shall be disposed of in waste areas shown on the plans. All waste areas shall be graded to allow positive drainage of the area and of adjacent areas. The surface elevation of waste areas shall not extend above the surface elevation of adjacent usable areas of the airport, unless specified on the plans or approved by the Engineer.

When the Contractor's excavating operations encounter artifacts of historical or archaeological significance, the operations shall be temporarily discontinued and the Engineer notified per subsection 70-20. At the direction of the Engineer, the Contractor shall excavate the site in such a manner as to preserve the artifacts encountered and allow for their removal. Such excavation will be paid for as extra work.

Those areas outside of the limits of the pavement areas where the top layer of soil material has become compacted by hauling or other Contractor activities shall be scarified and disked to a depth of 4 inches (100 mm), to loosen and pulverize the soil.

If it is necessary to interrupt existing surface drainage, sewers or under-drainage, conduits, utilities, or similar underground structures, the Contractor shall be responsible for and shall take all necessary precautions to preserve them or provide temporary services. When such facilities are encountered, the Contractor shall notify the Engineer, who shall arrange for their removal if necessary. The Contractor, at his or her expense, shall satisfactorily repair or pay the cost of all damage to such facilities or structures that may result from any of the Contractor's operations during the period of the contract.

152-2.2 Excavation. No excavation shall be started until the work has been staked out by the Contractor and the Engineer has obtained from the Contractor, the survey notes of the elevations and measurements of the ground surface. All areas to be excavated shall be stripped of vegetation and topsoil. Topsoil shall be stockpiled for future use in areas designated on the plans or by the Engineer. All suitable excavated material shall be used in the formation of embankment, subgrade, or other purposes shown on the plans. All unsuitable material shall be disposed of as shown on the plans.

When the volume of the excavation exceeds that required to construct the embankments to the grades indicated, the excess shall be used to grade the areas of ultimate development or disposed as directed by the Engineer. When the volume of excavation is not sufficient for constructing the embankments to the grades indicated, the deficiency shall be obtained from borrow areas.

The grade shall be maintained so that the surface is well drained at all times. When necessary, temporary drains and drainage ditches shall be installed to intercept or divert surface water that may affect the work.

a. Selective grading. When selective grading is indicated on the plans, the more suitable material designated by the Engineer shall be used in constructing the embankment or in capping the pavement subgrade. If, at the time of excavation, it is not possible to place this material in its final location, it shall be stockpiled in approved areas so that it can be measured for payment as specified in paragraph 152-3.3.

b. Undercutting. Rock, shale, hardpan, loose rock, boulders, or other material unsatisfactory for safety areas, subgrades, roads, shoulders, or any areas intended for turf shall be excavated to a minimum depth of 12 inches (300 mm) below the subgrade or to the depth specified by the Engineer. Muck, peat, matted roots, or other yielding material, unsatisfactory for subgrade foundation, shall be removed to the

depth specified. Unsuitable materials shall be [disposed of at locations shown on the plans.][disposed off the airport. The cost is incidental to this item.] This excavated material shall be paid for at the contract unit price per cubic yard (per cubic meter) for [____]. The excavated area shall be backfilled with suitable material obtained from the grading operations or borrow areas and compacted to specified densities. The necessary backfill will constitute a part of the embankment. Where rock cuts are made, backfill with select material. Any pockets created in the rock surface shall be drained in accordance with the details shown on the plans.

The Engineer shall specify the appropriate class of excavation. If rock or muck excavation is not included under paragraph 152-1.2, unclassified excavation should be specified.

The plans shall show details for draining pockets created in rock cuts.

c. Overbreak. Overbreak, including slides, is that portion of any material displaced or loosened beyond the finished work as planned or authorized by the Engineer. All overbreak shall be graded or removed by the Contractor and disposed of as directed by the Engineer. The Engineer shall determine if the displacement of such material was unavoidable and his or her decision shall be final. Payment will not be made for the removal and disposal of overbreak that the Engineer determines as avoidable. Unavoidable overbreak will be classified as “Unclassified Excavation.”

d. Removal of utilities. The removal of existing structures and utilities required to permit the orderly progress of work will be accomplished by someone other than the Contractor; for example, the utility unless otherwise shown on the plans. All existing foundations shall be excavated at least 2 feet (60 cm) below the top of subgrade or as indicated on the plans, and the material disposed of as directed by the Engineer. All foundations thus excavated shall be backfilled with suitable material and compacted as specified.

e. Compaction requirements. The subgrade under areas to be paved shall be compacted to a depth of [____] and to a density of not less than [____] percent of the maximum density as determined by ASTM [____]. The material to be compacted shall be within ±2% of optimum moisture content before being rolled to obtain the prescribed compaction (except for expansive soils).

Subgrades under flexible and rigid pavements. The Engineer shall specify the required compaction depths and densities as determined from advisory circular (AC) 150/5320-6, Airport Pavement Design and Evaluation, Table 3-4, Subgrade Compaction Requirements for Flexible Pavements and any recommendations in the geotechnical report completed for the project.

The Engineer shall specify ASTM D698 for areas designated for aircraft with gross weights of 60,000 pounds (27200 kg) or less, and ASTM D1557 for areas designated for aircraft with gross weights greater than 60,000 pounds (27200 kg).

Include testing frequencies per square yard (square meter) for density and moisture acceptance tests.

The in-place field density shall be determined in accordance with [ASTM D1556][ASTM D2167][ASTM D6938 using Procedure A, the direct transmission method,

and ASTM D6938 shall be used to determine the moisture content of the material. The machine shall be calibrated in accordance with ASTM D6938.] Stones or rock fragments larger than 4 inches (100 mm) in their greatest dimension will not be permitted in the top 6 inches (150 mm) of the subgrade. The finished grading operations, conforming to the typical cross-section, shall be completed and maintained at least 1,000 feet (300 m) ahead of the paving operations or as directed by the Engineer.

All loose or protruding rocks on the back slopes of cuts shall be pried loose or otherwise removed to the slope finished grade line. All cut-and-fill slopes shall be uniformly dressed to the slope, cross-section, and alignment shown on the plans or as directed by the Engineer.

[Blasting shall not be allowed.][Blasting will be permitted as directed by the Engineer and in accordance with the following:

Blasting will be permitted only when proper precautions are taken for the safety of all persons, the work, and the property. All damage done to the work or property shall be repaired by the Contractor. The cost of repair is incidental to this item. All operations of the Contractor in connection with the transportation, storage, and use of explosives shall conform to all Federal, state and local regulations and explosive manufacturers' instructions, with applicable approved permits reviewed by the Engineer. Any approval will not relieve the Contractor of his or her responsibility in blasting operations.

Where blasting is approved, the Contractor shall employ a vibration consultant, approved by the Engineer, to advise on explosive charge weights per delay and to analyze records from seismograph recordings. The seismograph shall be capable of producing a permanent record of the three components of the motion in terms of particle velocity, and in addition shall be capable of internal dynamic calibration.

In each distinct blasting area, where pertinent factors affecting blast vibrations and their effects in the area remain the same, the Contractor shall submit a blasting plan of the initial blasts to the Engineer for approval. This plan must consist of hole size, depth, spacing, burden, type of explosives, type of delay sequence, maximum amount of explosive on any one delay period, depth of rock, and depth of overburden if any. The maximum explosive charge weights per delay included in the plan shall not be increased without the approval of the Engineer.

The Contractor shall keep a record of each blast: its date, time and location; the amount of explosives used, maximum explosive charge weight per delay period, and, where necessary, seismograph records identified by instrument number and location.

These records shall be made available to the Engineer on a monthly basis or in tabulated form at other times as required.]

f. Proof rolling. After compaction is completed, the subgrade area shall be proof rolled with a [

[[20 ton (18.1 metric ton)] Tandem axle Dual Wheel Dump Truck loaded to the legal limit with tires inflated to [80/100/150 psi (0.551 MPa/0.689 MPa/1.034 MPa)]]

[[] ton Proof Roller with tires spaced not more than 32 inches (0.8 m) on-center with tires inflated to [100/125/150 psi (0.689 MPa/0.861 MPa/1.034 MPa)]]

[heavy pneumatic-tired roller having four or more tires abreast, each tire loaded to a minimum of 30,000 pounds (13.6 metric tons) and inflated to a minimum of 125 psi (0.861 MPa)]

] in the presence of the Engineer. Apply a minimum of [] coverage, or as specified by the Engineer, to all paved areas. A coverage is defined as the application of one tire print over the designated area. Soft areas of subgrade that deflect more than 1 inch (25 mm) or show permanent deformation greater than 1 inch (25 mm) shall be removed and replaced with suitable material or reworked to conform to the moisture content and compaction requirements in accordance with these specifications.

The Engineer shall select the proof-rolling method and number of coverages. For pavements designed for 30,000 pounds (13.6 metric tons) or more, select the “heavy pneumatic roller” option.

The purpose of proof rolling the subgrade is to identify any weak areas in the subgrade and not for compaction of the subgrade.

Drawings should be checked to ensure that any supplementary information required by this paragraph has been shown and that there is no conflict between the drawings and the specifications.

152-2.3 Borrow excavation. Borrow areas within the airport property are indicated on the plans. Borrow excavation shall be made only at these designated locations and within the horizontal and vertical limits as staked or as directed by the Engineer.

When borrow sources are outside the boundaries of the airport property, it shall be the Contractor’s responsibility to locate and obtain the borrow sources, subject to the approval of the Engineer. The Contractor shall notify the Engineer at least 15 days prior to beginning the excavation so necessary measurements and tests can be made. All borrow pits shall be opened up to expose the various strata of acceptable material to allow obtaining a uniform product. All unsuitable material shall be disposed of by the Contractor. Borrow pits shall be excavated to regular lines to permit accurate measurements, and they shall be drained and left in a neat, presentable condition with all slopes dressed uniformly.

152-2.4 Drainage excavation. Drainage excavation shall consist of excavating for drainage ditches such as intercepting; inlet or outlet ditches; for temporary levee construction; or for any other type as designed or as shown on the plans. The work shall be performed in sequence with the other construction. Intercepting ditches shall be constructed prior to starting adjacent excavation operations. All satisfactory material shall be placed in embankment fills; unsuitable material shall be placed in designated waste areas or as directed by the Engineer. All necessary work shall be performed true to final line, elevation, and cross-section. The Contractor shall maintain ditches constructed on the project to the required cross-section and shall keep them free of debris or obstructions until the project is accepted.

152-2.5 Preparation of embankment area. Where an embankment is to be constructed to a height of 4 feet (1.2 m) or less, all sod and vegetative matter shall be removed from the surface upon which the embankment is to be placed. The cleared surface shall be broken up by plowing or scarifying to a minimum depth of 6 inches (150 mm) and shall then be compacted as indicated in paragraph 152-2.6.

When the height of fill is greater than 4 feet (1.2 m), sod not required to be removed shall be thoroughly disked and recompactd to the density of the surrounding ground before construction of embankment.

Sloped surfaces steeper than one (1) vertical to four (4) horizontal shall be plowed, stepped, benched, or broken up so that the fill material will bond with the existing material. When the subgrade is part fill and part excavation or natural ground, the excavated or natural ground portion shall be scarified to a depth of 12 inches (300 mm) and compacted as specified for the adjacent fill.

The Engineer shall include benching details on the plans based on the type of material, degree of consolidation of the material, and the degree of homogeneity of the material. The minimum width of the bench shall be sufficient to accommodate construction equipment.

The Engineer should consider the consolidation of embankments over 4 feet (1.2 m) and consider installation of monitoring equipment such as settlement plates and inclinometers for deep fills.

No direct payment shall be made for the work performed under this section. The necessary clearing and grubbing and the quantity of excavation removed will be paid for under the respective items of work.

152-2.6 Formation of embankments. Embankments shall be formed in successive horizontal layers of not more than 8 inches (200 mm) in loose depth for the full width of the cross-section, unless otherwise approved by the Engineer.

The layers shall be placed, to produce a soil structure as shown on the typical cross-section or as directed by the Engineer. Materials such as brush, hedge, roots, stumps, grass and other organic matter, shall not be incorporated or buried in the embankment.

Earthwork operations shall be suspended at any time when satisfactory results cannot be obtained because of rain, freezing, or other unsatisfactory weather conditions in the field. Frozen material shall not be placed in the embankment nor shall embankment be placed upon frozen material. Material shall not be placed on surfaces that are muddy, frozen, or contain frost. The Contractor shall drag, blade, or slope the embankment to provide surface drainage at all times.

The material in each layer shall be within $\pm 2\%$ of optimum moisture content before rolling to obtain the prescribed compaction. To achieve a uniform moisture content throughout the layer, the material shall be moistened or aerated as necessary. Samples of all embankment materials for testing, both before and after placement and compaction, will be taken for each [___]. Based on these tests, the Contractor shall make the necessary corrections and adjustments in methods, materials or moisture content to achieve the specified embankment density.

It is recommended that density tests be made for each 1,000 square yards (840 square meters) of material placed per layer. The Engineer may specify other frequencies as appropriate to the job size. If it is necessary (because of the presence of expansive soils or other unusually sensitive soils) to apply special controls to the moisture content of the soil during or after compaction to ensure strength, the Engineer shall specify the appropriate moisture content. The moisture limitations shall be specified using acceptable moisture ranges as determined by ASTM D698 or ASTM D1557.

If nuclear density machines are to be used for density determination, the machines shall be calibrated in accordance with ASTM D6938.

Include testing frequencies per square yard for density and moisture acceptance tests.

Rolling operations shall be continued until the embankment is compacted to not less than 95% of maximum density for noncohesive soils, and 90% of maximum density for cohesive soils as determined by ASTM [____]. Under all areas to be paved, the embankments shall be compacted to a depth of [____] and to a density of not less than [____] percent of the maximum density as determined by ASTM [____].

Subgrade Under Flexible and Rigid Pavements. The Engineer shall specify the required compaction depths and densities as determined from AC 150/5320-6, Table 3-4, Subgrade Compaction Requirements for Flexible Pavements.

The Engineer shall specify ASTM D698 for areas designated for aircraft with gross weights of 60,000 pounds (27200 kg) or less and ASTM D1557 for areas designated for aircraft with gross weights greater than 60,000 pounds (27200 kg).

For soils with expansive characteristics, the maximum density should be determined in accordance with ASTM D698 regardless of aircraft weight.

On all areas outside of the pavement areas, no compaction will be required on the top 4 inches (100 mm).

The in-place field density shall be determined in accordance with [ASTM D1556][ASTM D2167][ASTM 6938 using Procedure A, the direct transmission method, and ASTM D6938 shall be used to determine the moisture content of the material. The machine shall be calibrated in accordance with ASTM D6938.]. The [Engineer shall perform all density tests] [Contractor's laboratory shall perform all density tests in the Engineer's presence and provide the test results upon completion to the Engineer for acceptance].

Compaction areas shall be kept separate, and no layer shall be covered by another layer until the proper density is obtained.

During construction of the embankment, the Contractor shall route all construction equipment evenly over the entire width of the embankment as each layer is placed. Layer placement shall begin in the deepest portion of the embankment fill. As placement progresses, the layers shall be constructed approximately parallel to the finished pavement grade line.

When rock and other embankment material are excavated at approximately the same time, the rock shall be incorporated into the outer portion of the embankment and the other material shall be incorporated under the future paved areas. Stones or fragmentary rock larger than 4 inches (100 mm) in their greatest dimensions will not be allowed in the top 6 inches (150 mm) of the subgrade. Rockfill shall be brought up in layers as specified or as directed by the Engineer and the finer material shall be used to fill the voids with forming a dense, compact mass. Rock or boulders shall not be disposed of outside the excavation or embankment areas, except at places and in the manner designated on the plans or by the Engineer.

When the excavated material consists predominantly of rock fragments of such size that the material cannot be placed in layers of the prescribed thickness without crushing, pulverizing or further breaking down the pieces, such material may be placed in the embankment as directed in layers not exceeding 2 feet (60 cm) in thickness. Each layer shall be leveled and smoothed with suitable equipment by distribution of spalls and finer fragments of rock. The layer shall not be constructed above an elevation 4 feet (1.2 m) below the finished subgrade.

[There will be no separate measurement of payment for compacted embankment. All costs incidental to placing in layers, compacting, discing, watering, mixing, sloping, and other operations necessary for construction of embankments will be included in the contract price for excavation, borrow, or other items.] [Payment for compacted embankment will be made under embankment in-place and no payment will be made for excavation, borrow, or other items.]

152-2.7 Finishing and protection of subgrade. After the subgrade is substantially complete, the Contractor shall remove any soft or other unstable material over the full width of the subgrade that will not compact properly. All low areas, holes or depressions in the subgrade shall be brought to grade with suitable select material. Scarifying, blading, rolling and other methods shall be performed to provide a thoroughly compacted subgrade shaped to the lines and grades shown on the plans.

Grading of the subgrade shall be performed so that it will drain readily. The Contractor shall protect the subgrade from damage and limit hauling over the finished subgrade to only traffic essential for construction purposes. All ruts or rough places that develop in the completed subgrade shall be graded and recompact.

No subbase, base, or surface course shall be placed on the subgrade until the subgrade has been approved by the Engineer.

152-2.8 Haul. All hauling will be considered a necessary and incidental part of the work. The Contractor shall include the cost in the contract unit price for the pay of items of work involved. No payment will be made separately or directly for hauling on any part of the work.

152-2.9 Tolerances. In those areas upon which a subbase or base course is to be placed, the top of the subgrade shall be of such smoothness that, when tested with a 12-foot (3.7-m) straightedge applied parallel and at right angles to the centerline, it shall not show any deviation in excess of 1/2 inch (12 mm), or shall not be more than 0.05 feet (15 mm) from true grade as established by grade hubs. Any deviation in excess of these amounts shall be corrected by loosening, adding, or removing materials; reshaping; and recompact.

On safety areas, intermediate and other designated areas, the surface shall be of such smoothness that it will not vary more than 0.10 feet (3 mm) from true grade as established by grade hubs. Any deviation in excess of this amount shall be corrected by loosening, adding or removing materials, and reshaping.

152-2.10 Topsoil. When topsoil is specified or required as shown on the plans or under Item T-905, it shall be salvaged from stripping or other grading operations. The topsoil shall meet the requirements of Item T-905. If, at the time of excavation or stripping, the topsoil cannot be placed in its final section of finished construction, the material shall be stockpiled at approved locations. Stockpiles shall not be placed within [] feet of runway pavement or [] feet of taxiway pavement and shall not be placed on areas that subsequently will require any excavation or embankment fill. If, in the judgment of the Engineer, it is practical to place the salvaged topsoil at the time of excavation or stripping, the material shall be placed in its final position without stockpiling or further rehandling.

The Engineer shall specify the appropriate distances in accordance with AC 150/5370-2, Operational Safety on Airports During Construction and the Construction Safety and Phasing Plan (CSPP).

Upon completion of grading operations, stockpiled topsoil shall be handled and placed as directed, or as required in Item T-905.

No direct payment will be made for topsoil under Item P-152. The quantity removed and placed directly or stockpiled shall be paid for at the contract unit price per cubic yard (cubic meter) for "Unclassified Excavation."

When stockpiling of topsoil and later rehandling of such material is directed by the Engineer, the material so rehandled shall be paid for at the contract unit price per cubic yard (cubic meter) for "topsoiling," as provided in Item T-905.

METHOD OF MEASUREMENT

152-3.1 [The quantity of excavation to be paid for shall be the number of cubic yards (cubic meters) measured in its original position. Measurement shall not include the quantity of materials excavated without authorization beyond normal slope lines, or the quantity of material used for purposes other than those directed.][The quantity of compacted embankment in-place to be paid for shall be the number of cubic yards (cubic meters) measured in its final position.]

152-3.2 Borrow material shall be paid for on the basis of the number of cubic yards (cubic meters) measured in its original position at the borrow pit.

152-3.3 Stockpiled material shall be paid for on the basis of the number of cubic yards (cubic meters) measured in the stockpiled position.

152-3.4 For payment specified by the cubic yard (cubic meter), measurement for all [excavation] [embankment] shall be computed by the average end area method. The end area is that bound by the original ground line established by field cross-sections and the final theoretical pay line established by [excavation][embankment] cross-sections shown on the plans, subject to verification by the Engineer. After completion of all [excavation][embankment] operations and prior to the placing of base or subbase material, the final [excavation][embankment] shall be verified by the Engineer by means of field cross-sections taken randomly at intervals not exceeding 500 linear feet (150 m).

[**152-3.5** The quantity of embankment in place shall be the number of cubic yards (cubic meters) measured in its final position.]

BASIS OF PAYMENT

[**152-4.1** "Unclassified excavation" payment shall be made at the contract unit price per cubic yard (cubic meter). This price shall be full compensation for furnishing all materials, labor, equipment, tools, and incidentals necessary to complete the item.]

[152-4.2 "Rock Excavation" payment shall be made at the contract unit price per cubic yard (cubic meter). This price shall be full compensation for furnishing all materials, labor, equipment, tools, and incidentals necessary to complete the item.]

[152-4.3 "Muck Excavation" payment shall be made at the contract unit price per cubic yard (cubic meter). This price shall be full compensation for furnishing all materials, labor, equipment, tools, and incidentals necessary to complete the item.]

[152-4.4 "Drainage Excavation" payment shall be made at the contract unit price per cubic yard (cubic meter). This price shall be full compensation for furnishing all materials, labor, equipment, tools, and incidentals necessary to complete the item.]

[152-4.5 "Borrow Excavation" payment shall be made at the contract unit price per cubic yard (cubic meter). This price shall be full compensation for furnishing all materials, labor, equipment, tools, and incidentals necessary to complete the item.]

[152-4.6 "Stockpiled Material" payment shall be made at the contract unit price per cubic yard (cubic meter). This price shall be full compensation for furnishing all materials, labor, equipment, tools, and incidentals necessary to complete the item.]

[152-4.7 For embankment in place, payment shall be made at the contract unit price per cubic yard (cubic meter). This price shall be full compensation for furnishing all materials, labor, equipment, tools, and incidentals necessary to complete the item.]

Payment will be made under:

[Item P-152-4.1 Unclassified Excavation - per cubic yard (cubic meter)]

[Item P-152-4.2 Rock Excavation - per cubic yard (cubic meter)]

[Item P-152-4.3 Muck Excavation - per cubic yard (cubic meter)]

[Item P-152-4.4 Drainage Excavation - per cubic yard (cubic meter)]

[Item P-152-4.5 Borrow Excavation - per cubic yard (cubic meter)]

[Item P-152-4.6 Stockpiled material - per cubic yard (cubic meter)]

[Item P-152-4.7 Embankment in place - per cubic yard (cubic meter)]

The Engineer shall include only those classifications shown in the bid schedule.

TESTING REQUIREMENTS

ASTM D698	Standard Test Methods for Laboratory Compaction Characteristics of Soil Using Standard Effort (12,400 ft-lbf/ft ³ (600 kN-m/m ³))
ASTM D1556	Standard Test Method for Density and Unit Weight of Soil in Place by the Sand-Cone Method
ASTM D1557	Standard Test Methods for Laboratory Compaction Characteristics of Soil Using Modified Effort (56,000 ft-lbf/ft ³ (2700 kN-m/m ³))
ASTM D2167	Standard Test Method for Density and Unit Weight of Soil in Place by the Rubber Balloon Method
ASTM D6938	Standard Test Methods for In-Place Density and Water Content of Soil and Soil-Aggregate by Nuclear Methods (Shallow Depth)

END OF ITEM P-152

Intentionally Left Blank

Item P-153 Controlled Low-Strength Material (CLSM)

DESCRIPTION

153-1.1 This item shall consist of furnishing, transporting, and placing a controlled low-strength material (CLSM) as flowable backfill in trenches or at other locations shown on the plans or as directed by the Engineer.

MATERIALS

153-2.1 Materials.

a. Portland cement. Portland cement shall conform to the requirements of ASTM [___] Type [___]. If for any reason, cement becomes partially set or contains lumps of caked cement, it shall be rejected. Cement salvaged from discarded or used bags shall not be used.

The Engineer shall specify one of the following:

ASTM C150 - Type I, II

ASTM C595 - Type IP, IS, S, I(PM)

b. Fly ash. Fly ash shall conform to ASTM C618, Class C or F.

c. Fine aggregate (sand). Fine aggregate shall conform to the requirements of ASTM C33 except for aggregate gradation. Any aggregate gradation which produces performance characteristics of the CLSM specified here will be accepted, except as follows.

Sieve Size	Percent Passing by weight
3/4 inch (19 mm)	100
No. 200 (0.075 mm)	0 - 12

d. Water. Water used in mixing shall be potable and free of oil, salt, acid, alkali, sugar, vegetable matter, or other substances injurious to the finished product.

Dyes and other methods of coloring the backfill material may be incorporated if desired.

MIX DESIGN

153-3.1 Proportions. The Contractor shall submit, to the Engineer, a mix design including the proportions and source of aggregate, fly ash, cement, water, and approved admixtures. No CLSM mixture

shall be produced for payment until the Engineer has given written approval of the proportions. The proportions shall be prepared by a laboratory and shall remain in effect for the duration of the project. Laboratory costs are incidental to this item. The proportions shall establish a single percentage or weight for aggregate, fly ash, cement, water, and any admixtures proposed.

a. Compressive strength. CLSM shall be designed to achieve a 28-day compressive strength of 100 to 200 psi (690 to 1379 kPa) when tested in accordance with ASTM D4832. There should be no significant strength gain after 28 days.

b. Consistency. CLSM should be designed to achieve a consistency that will produce an approximate 8-inch (200 mm) diameter circular-type spread without segregation when tested by: (1) filling a 3-inch inside diameter by 6-inch length flow cylinder (non-absorbent pipe) (2) strike off of the flow cylinder and start of lift within five seconds of filling and (3) by steady upward pull, lift the cylinder in a time period of between two and four seconds. Adjustments of the material proportions should be made to achieve proper solid suspension and flowable characteristics, however the theoretical yield shall be maintained at one cubic yard (cubic meter) for the given batch weights.

CONSTRUCTION METHODS

153-4.1 Placement.

a. Placement. CLSM may be placed by any reasonable means from a mixing unit into the space to be filled. Agitation is required during transportation and waiting time. Placement shall be performed so structures or pipes are not displaced from their final position and intrusion of CLSM into unwanted areas is avoided. The material shall be brought up uniformly to the fill line shown on the plans or as directed by the Engineer. Each placement of CLSM shall be as continuous an operation as possible. If CLSM is placed in more than one layer, the base layer shall be free of surface water and loose foreign material prior to placement of the next layer.

b. Limitations of placement. CLSM shall not be placed on frozen ground. Mixing and placing may begin when the air or ground temperature is at least 35°F (2°C) and rising. At the time of placement, CLSM shall have a temperature of at least 40°F (4°C). Mixing and placement shall stop when the air temperature is 40°F (4°C) and falling or when the anticipated air or ground temperature will be 35°F (2°C) or less in the 24 hour period following proposed placement.

153-4.2 Curing and protection

a. Curing. The air in contact with the CLSM shall be maintained at temperatures above freezing for a minimum of 72 hours. If the CLSM is subjected to temperatures below 32°F (0°C), the material may be rejected by the Engineer if damage to the material is observed.

b. Protection. The CLSM shall not be subject to loads and shall remain undisturbed by construction activities for a period of 48 hours or until a compressive strength of 15 psi (105 kPa) is obtained. The Contractor shall be responsible for providing evidence to the Engineer that the material has reached the desired strength. Acceptable evidence shall be based upon compressive tests made in accordance with paragraph 153-3.1a.

153-4.3 Acceptance. Acceptance of CLSM delivered and placed as shown on the plans or as directed by the Engineer shall be based upon mix design approval and batch tickets provided by the Contractor to confirm that the delivered material conforms to the mix design. The Contractor shall verify by additional testing, each 1,000 cubic yards (765 m³) of material used. Verification shall include confirmation of material proportions and tests of compressive strength to confirm that the material meets the original mix design and the requirements of CLSM as defined in this specification. Adjustments shall be made as necessary to the proportions and materials prior to further production.

METHOD OF MEASUREMENT

153-5.1 Measurement. Controlled low-strength material shall be measured by the number of [cubic yards (cubic meters)] as computed from the neatline plan and section, adjusted for the quantities for any embedments, and as specified, completed, and accepted.

BASIS OF PAYMENT

153-6.1 Payment. Accepted quantities of controlled low-strength material shall be paid for at the contract unit price per [cubic yard (cubic meter)]. Payment shall be full compensation for all materials, equipment, labor, and incidentals required to complete the work as specified.

TESTING REQUIREMENTS

ASTM D4832 Standard Test Method for Preparation and Testing of Controlled Low-Strength Material (CLSM) Test Cylinders

MATERIAL REQUIREMENTS

ASTM C33 Standard Specification for Concrete Aggregates

ASTM C150 Standard Specification for Portland Cement

ASTM C618 Standard Specification for Coal Fly Ash and Raw or Calcined Natural Pozzolan for Use in Concrete

ASTM C595 Standard Specification for Blended Hydraulic Cements

END OF ITEM P-153

Intentionally Left Blank

Item P-154 Subbase Course

DESCRIPTION

154-1.1 This item shall consist of a subbase course composed of granular materials constructed on a prepared subgrade or underlying course in accordance with these specifications, and in conformity with the dimensions and typical cross-section shown on the plans.

MATERIALS

154-2.1 Materials. The subbase material shall consist of hard durable particles or fragments of granular aggregates. This material will be mixed or blended with fine sand, clay, stone dust, or other similar binding or filler materials produced from approved sources. This mixture must be uniform and shall comply with the requirements of these specifications as to gradation, soil constants, and shall be capable of being compacted into a dense and stable subbase. The material shall be free from vegetative matter, lumps or excessive amounts of clay, and other objectionable or foreign substances. Pit-run material may be used, provided the material meets the gradation requirements specified.

Where environmental conditions (temperature and availability of free moisture) indicate non-frost susceptible material is not required to prevent potential damage from frost action, the paragraph regarding the 0.02 mm and maximum passing 5% passing the No. 200 sieve should be deleted. The Engineer should reference the geotechnical report.

Gradation Requirements

Sieve designation (square openings) as per ASTM C136 and ASTM D422	Percentage by weight passing sieves
3 inch (75 mm)	100
No. 10 (2.0 mm)	20-100
No. 40 (0.450 mm)	5-60
No. 200 (0.075 mm)	0-8

The portion of the material passing the No. 40 (0.450 mm) sieve shall have a liquid limit of not more than 25 and a plasticity index of not more than six (6) when tested in accordance with ASTM D4318.

[The material finer than 0.02 mm shall be limited to a maximum of 3% and the maximum allowable material passing the No. 200 sieve shall be reduced from 0-8% to 0-5%. Testing per ASTM D422 will be required for the percentage passing the 0.02 mm particle size once per lot.]

154-2.2 Sampling and testing. Material used on the project shall be sampled per ASTM D75 and tested per ASTM C136 and ASTM C117. Results shall be furnished to the Engineer by the Contractor prior to the start of construction and once per day during construction.

Include testing frequencies for the particle size distribution for preliminary and minimum of one per day during construction.

CONSTRUCTION METHODS

154-3.1 General. The subbase course shall be placed where designated on the plans or as directed by the Engineer. The material shall be shaped and thoroughly compacted within the tolerances specified.

Granular subbases which, due to grain sizes or shapes, are not sufficiently stable to support the construction equipment without movement, shall be mechanically stabilized to the depth necessary to provide stability as directed by the Engineer. The mechanical stabilization shall include the addition of a fine-grained medium to bind the particles of the subbase material sufficiently to furnish a bearing strength, so the course will not deform under construction equipment traffic. The addition of the binding medium to the subbase material shall not increase the soil constants of that material above the specified limits.

154-3.2 Operation in pits. The subbase material shall be obtained from pits or sources that have been approved by the Engineer. The material in the pits shall be excavated and handled to produce a uniform and satisfactory product. All work involved in clearing and stripping pits and handling unsuitable material encountered shall be performed by the Contractor. The cost of this work is incidental to this item.

154-3.3 Preparing underlying course. Prior to constructing the subbase course, clean the underlying course or subgrade of all foreign substances. The surface of the underlying course or subgrade shall meet specified compaction and surface tolerances. Correct ruts, or soft yielding spots, in the underlying courses and subgrade areas having inadequate compaction and deviations of the surface from the specified requirements by loosening and removing soft or unsatisfactory material and by adding approved material, reshaping to line and grade, and recompacting to specified density requirements. For cohesionless underlying courses or subgrades containing sands or gravels, as defined in ASTM D2487, the surface shall be stabilized prior to placement of the overlying course. Accomplish stabilization by mixing the overlying course material into the underlying course, and compacting by approved methods. [The stabilized material shall be considered as part of the underlying course and shall meet all requirements for the underlying course.] The finished underlying course shall not be disturbed by traffic or other operations and shall be maintained in a satisfactory condition until the overlying course is placed. The course shall be checked and accepted by the Engineer before placing and spreading operations are started.

To protect the subgrade and to ensure proper drainage, the spreading of the subbase shall begin along the centerline of the pavement on a crowned section or on the high side of pavements with a one-way slope.

154-3.4 Materials acceptance in existing condition. When the entire subbase material is in a uniform and satisfactory condition at approximately the required moisture content, the approved material may be moved directly to the spreading equipment for placing. The material may be obtained from gravel pits, stockpiles, or may be produced from a crushing and screening plant with proper blending. The materials from these sources shall meet the requirements for gradation, quality, and consistency. The intent of the specifications is to secure materials that will not require further mixing. The moisture content of the material shall be approximately that required to obtain maximum density. Any minor deficiency or excess in moisture content may be corrected by surface sprinkling or by aeration. Some mixing or aeration may be required prior to rolling to obtain the required moisture content. Blading or dragging, if necessary, shall be performed to obtain a smooth uniform surface true to line and grade.

154-3.5 Plant mixing. When materials from several sources will be blended and mixed, the subbase material shall be processed in a [central][travel] mixing plant. The subbase material, together with any blended material, shall be thoroughly mixed with the required amount of water. After the mixing is complete, the material shall be transported to and spread on the underlying course without undue loss of moisture content.

[**154-3.5.1 Mixed in place.** When materials from different sources are to be proportioned and mixed or blended in place, the relative proportions of the components of the mixture shall be as designated by the Engineer.

The subbase material shall be deposited and spread evenly to a uniform thickness and width. Then the binder, filler or other material shall be deposited and spread evenly over the first layer. There shall be as many layers of materials added as the Engineer may direct to obtain the required subbase mixture.

When the required amount of materials have been placed, they shall be thoroughly mixed and blended by means of graders, discs, harrows, rotary tillers, supplemented by other suitable equipment if necessary. The mixing shall continue until the mixture is uniformly blended. Areas of segregated material shall be corrected by the addition of binder or filler material and by thorough remixing. Water shall be uniformly applied prior to and during the mixing operations, if necessary, to maintain the material at its required moisture content. When the mixing and blending has been completed, the material shall be spread in a uniform layer which, when compacted, will meet the requirements of thickness and typical cross-section.]

If mixing in place will not provide a consistent subbase material, delete paragraph 154-3.5.1.

154-3.6 General methods for placing. The subbase course shall be constructed in layers of not less than inches (75 mm) nor more than 8 inches (200 mm) of compacted thickness. The subbase material shall be deposited and spread evenly to a uniform thickness and width. The material, as spread, shall be of uniform gradation with no pockets of fine or coarse materials. The subbase, unless otherwise permitted by the Engineer, shall not be spread more than 2,000 square yards (1700 sq m) in advance of the rolling. Any necessary sprinkling shall be kept within this limit. No material shall be placed in snow or on a soft, muddy, or frozen course.

When more than one layer is required, the construction procedure described here shall apply similarly to each layer.

During the placing and spreading, sufficient caution shall be exercised to prevent the incorporation of subgrade, shoulder, or foreign material in the subbase course mixture.

154-3.7 Finishing and compacting. After spreading or mixing, the subbase material shall be thoroughly compacted by rolling and sprinkling, when necessary. Sufficient rollers shall be furnished to adequately handle the rate of placing and spreading of the subbase course.

The field density of the compacted material shall be at least 100% of the maximum density of laboratory specimens prepared from samples of the subbase material delivered to the jobsite. The laboratory specimens shall be compacted and tested in accordance with [____]. The in-place field density shall be determined in accordance with [ASTM D1556. Test in accordance with ASTM D4718 if greater than 30% is retained on the 3/4" sieve.][or][ASTM D6938 using Procedure A, the direct transmission method, and ASTM D6938 shall be used to determine the moisture content of the material. The machine shall be calibrated in accordance with ASTM D6938.]. The moisture content of the material at the start of compaction shall be within ±2% of the optimum moisture content. All testing shall be done by [the Engineer.][the Contractor's laboratory in the presence of the Engineer, and density test results shall be furnished upon completion to the Engineer for acceptance determination.]

The Engineer shall specify ASTM D698 for areas designated for aircraft with gross weights of 60,000 pounds (27200 kg) or less and ASTM D1557 for areas designated for aircraft with gross weights greater than 60,000 pounds (27200 kg).

Include testing frequencies per square yard or cubic yard for density and moisture acceptance tests.

Material meeting the requirements of Item P-154 may be free-draining which may prevent the material from retaining sufficient moisture to meet the compaction moisture requirements of this paragraph. If this situation occurs during field operations, minimum moisture content should be established for placement of the material.

The course shall not be rolled when the underlying course is soft or yielding or when the rolling causes undulation in the subbase. When the rolling develops irregularities that exceed 3/8 inch (9 mm) when tested with a 12 feet (3.7 m) straightedge, the irregular surface shall be loosened and then refilled with the same kind of material as that used in constructing the course and again rolled as required above.

Along places inaccessible to rollers, the subbase material shall be tamped thoroughly with mechanical or hand tampers.

Sprinkling during rolling, if necessary, shall be by equipment approved by the Engineer. Water shall not be added in manner or quantity that allows free water to reach the underlying layer and cause it to become soft.

154-3.8 Surface tolerance. The surface of the top layer shall show no deviations in excess of 3/8 inch (9 mm) when tested with a 12-foot (3.7-m) straightedge. Take measurements in successive positions parallel to the centerline of the area to be paved. Measurements shall also be taken perpendicular to the centerline at [50] [____] foot [15] [____] meter intervals. Correct deviations exceeding this amount by removing material and replacing with new material, or by reworking existing material and compacting it to meet these specifications.

154-3.9 Thickness control. The completed thickness of the course(s) shall be in accordance with the thickness and grade indicated on the drawings. The completed course shall not be more than 1/2 inch (12 mm) deficient in thickness nor more than 1/2 inch (12 mm) above or below the established grade. Where any of these tolerances are exceeded, correct such areas by scarifying, adding new material of proper

gradation or removing material, and compacting, as directed. Where the measured thickness is 1/2 inch (12 mm) or more thicker than shown, the course will be considered as conforming with the specified thickness requirements plus 1/2 inch (12 mm). The average job thickness shall be the average of the job measurements as specified above but within 1/4 inch (6 mm) of the thickness shown. The thickness of the completed subbase course shall be determined by [depth tests or sample holes taken at intervals so each test shall represent no more than 500 square yards (420 sq m)] [by survey].

When subbase or rigid pavement base courses are constructed less than 6 inches (150 mm) in total thickness, a deficiency of 1/2 inch (12 mm) in the thickness of any area of such paving is considered excessive. Applicable to job conditions, the thickness tolerance provisions will be modified as required, restricting all deficiencies to less than 1/4 inch (6 mm).

154-3.10 Protection. Work on subbase course shall not be conducted during freezing temperatures nor when the subgrade is wet. When the subbase material contains frozen material or when the underlying course is frozen, the construction shall be stopped. The Contractor shall protect and maintain the subgrade from yielding until the subbase is accepted.

154-3.11 Maintenance. The Contractor shall maintain the completed course in a satisfactory condition until accepted by the Engineer.

METHOD OF MEASUREMENT

154-4.1 Subbase course shall be measured by the number of [square yards (meters)] [cubic yards (cubic meters)] of subbase course material placed, compacted, and accepted in the completed course. The quantity of subbase course material shall be measured in final position based upon [depth tests or cores taken as directed by the Engineer, at the rate of one (1) depth test for each 500 square yard (420 sq m) of subbase course] [by means of average end areas on the complete work computed from elevations to the nearest 0.01 foot (3 mm)]. On individual depth measurements, thicknesses more than 1/2 inch (12 mm) in excess of that shown on the plans shall be considered as the specified thickness plus 1/2 inch (12 mm) in computing the yardage for payment. Subbase materials shall not be included in any other excavation quantities.

BASIS OF PAYMENT

154-5.1 Payment shall be made at the contract unit price per [square yard (meter)] [cubic yard (cubic meter)] for subbase course. This price shall be full compensation for furnishing all materials; for all preparation, hauling, and placing of these materials; and for all labor, equipment, tools, and incidentals necessary to complete the item.

Payment will be made under:

Item P-154-5.1 Subbase Course - per [square yard (meter)] [cubic yard (cubic meter)]

TESTING REQUIREMENTS

ASTM C117	Standard Test Method for Materials Finer Than 75- μm (No. 200) Sieve in Mineral Aggregates by Washing
ASTM C136	Standard Test Method for Sieve or Screen Analysis of Fine and Coarse Aggregates
ASTM D75	Standard Practice for Sampling Aggregates
ASTM D422	Standard Test Method for Particle-Size Analysis of Soils
ASTM D698	Standard Test Methods for Laboratory Compaction Characteristics of Soil Using Standard Effort (12,400 ft-lbf/ft ³ (600 kN-m/m ³))
ASTM D1556	Standard Test Method for Density and Unit Weight of Soil in Place by the Sand-Cone Method
ASTM D1557	Standard Test Methods for Laboratory Compaction Characteristics of Soil Using Modified Effort (56,000 ft-lbf/ft ³ (2,700 kN-m/m ³))
ASTM D2487	Standard Practice for Classification of Soils for Engineering Purposes (Unified Soil Classification System)
ASTM D4253	Standard Test Methods for Maximum Index Density and Unit Weight of Soils Using a Vibratory Table
ASTM D4318	Standard Test Methods for Liquid Limit, Plastic Limit, and Plasticity Index of Soils
ASTM D4718	Standard Practice for Correction of Unit Weight and Water Content for Soils Containing Oversize Particles
ASTM D6938	Standard Test Method for In-Place Density and Water Content of Soil and Soil-Aggregate by Nuclear Methods (Shallow Depth)

END OF ITEM P-154

Item P-155 Lime-Treated Subgrade

The soluble sulfate contents of the soils should be checked during design to determine if stabilization with lime, cement, and/or fly ash can react and induce heave. Sulfate reaction with either the soil to be stabilized or mixing water used in the stabilization process may be detrimental to the finished product due to the expansive nature of the sulfate reaction. Soluble sulfate contents as low as 0.5% have resulted in excessive expansion of the soil due to the formation of ettringite and thaumasite. During the design phase soils and water anticipated to be included in the stabilized material should be tested for potential to cause an adverse expansion reaction. The Contractor should be required to test any off site borrow sources for sulfates.

DESCRIPTION

155-1.1 This item shall be used for soil modification to achieve specific needs that require strength gain to a specific level. This item shall consist of constructing one or more courses of a mixture of soil, lime, and water in accordance with this specification, and in conformity with the lines, grades, thicknesses, and typical cross-sections shown on the plans.

MATERIALS

155-2.1 Lime. Quicklime and hydrated lime, either high-calcium dolomitic, or magnesium lime, as defined by ASTM C51, shall conform to the requirements of ASTM C977. Lime not produced from calcining limestone shall not be permitted.

155-2.2 Commercial lime slurry. Commercial lime slurry shall be a pumpable suspension of solids in water. The water or liquid portion of the slurry shall not contain dissolved material in sufficient quantity naturally injurious or objectionable for the purpose intended. The solids portion of the mixture, when considered on the basis of "solids content," shall consist principally of hydrated lime of a quality and fineness sufficient to meet the following requirements as to chemical composition and residue.

a. Chemical composition. The "solids content" of the lime slurry shall consist of a minimum of 70%, by weight, of calcium and magnesium oxides.

b. Residue. The percent by weight of residue retained in the "solids content" of lime slurry shall conform to the following requirements:

Residue retained on a No. 6 (3360 micron) sieve = maximum 0.0%

Residue retained on a No. 10 (2000 micron) sieve = maximum 1.0%

Residue retained on a No. 30 (590 micron) sieve = maximum 2.5%

c. Grade. Commercial lime slurry shall conform to one of the following two grades:

Grade 1. The "dry solids content" shall be at least 31% by weight, of the slurry.

Grade 2. The “dry solids content” shall be at least 35%, by weight, of the slurry.

155-2.3 Water. Water used for mixing or curing shall be potable, reasonably clean and free of oil, salt, acid, alkali, sugar, vegetable, or other substances injurious to the finished product.

155-2.4 Soil. The soil for this work shall consist of inorganic natural materials on the site or selected materials from other sources; uniform in quality and gradation; and shall be approved by the Engineer. The soil shall be free of roots, sod, weeds, and stones larger than 2-1/2 inches (60 mm).

COMPOSITION

[**155-3.1 Soil-lime mixture.** [Ten] [] days prior to the commencement of the work, the Contractor shall submit a soil-lime mixture, developed by the Contractor’s laboratory, showing the amount of lime and water required per cubic yard (per cubic meter), and procedures for blending the lime/subgrade mixture for each type of existing soil. The soil-lime mixture shall include process type and number of: lime applications, stages of mixing, slurry injection depths, mixing depths, and depths of compaction lifts. Also, the Contractor shall submit a list of equipment to be used and their relation to method of mix proportioning, spreading, pulverizing and compacting subgrade, slurry injection, jet slurry mixing, and other related work. The soil-lime mixture shall also contain amount of lime, either in sacks or pounds per cubic yard (kg per cubic meter) and the amount of water to be used, if slurry method is used. Use the ASTM D3551 laboratory test method when applicable.]

The Engineer may, based on the results of the Geotechnical Report, specify the amount of lime on the plans in lieu of requiring the Contractor to provide the soil-lime mixture. If so, replace the text in paragraph 155-3.1 with the following:

“Lime shall be applied at the rate specified on the plans for the depth of subgrade treatment shown.”

If the Engineer specifies the amount of lime, then this paragraph should specify the amount of lime to be incorporated either by percent of dry weight or by the desired performance criteria. Samples for determination of lime content should be from material, which will represent the final placement of material to be treated. The Lime content should be sufficient to lower the Liquid Limit to less than 30 and the Plasticity Index to less than 10.

The project specifications should address the percent of lime to be used in the project. If the exact percent is not specified, the Contractor should be provided with some means to estimate (for bidding purposes) the quantity of lime to be used in the project.

155-3.2 Tolerances. At final compaction, the lime and water content for each course of subgrade treatment shall conform to the following tolerances:

Material	Tolerance
Lime	+ 0.5%
Water	+ 2%, -0%

WEATHER LIMITATIONS

155-4.1 Weather limitation. Do not construct subgrade when weather conditions detrimentally affect the quality of the materials. Do not apply lime unless the air temperature is at least 40°F (4°C) and rising. Do not apply lime to soils that are frozen or contain frost. If the air temperature falls below 35°F (2°C), protect completed lime-treated areas by approved methods against the detrimental effects of freezing. Remove and replace any damaged portion of the completed soil-lime treated area with new soil-lime material in accordance with this specification.

EQUIPMENT

155-5.1 Equipment. The equipment required shall include all equipment necessary to complete this item such as: grading and scarifying equipment, a spreader for the lime or lime slurry, mixing or pulverizing equipment, sheepfoot and pneumatic or vibrating rollers, sprinkling equipment, and trucks.

CONSTRUCTION METHODS

155-6.1 General. This specification is to construct a subgrade consisting of a uniform lime mixture which shall be free from loose or segregated areas. The subgrade shall be of uniform density and moisture content, well mixed for its full depth, and have a smooth surface suitable for placing subsequent courses. The Contractor shall be responsible to meet the above requirements.

Before beginning lime treatment, the subgrade shall be constructed as specified in Item P-152, Excavation, Subgrade and Embankment, and shaped to conform to the typical sections, lines, and grades as shown on the plans. If the Contractor elects to use a cutting and pulverizing machine that will remove the subgrade material accurately to the secondary grade and pulverize the material at the same time, he will not be required to expose the secondary grade nor windrow the material. The machine must give visible indication at all times that it is cutting the material uniformly to the proper depth over the entire width of the cut.

If a cutting and pulverizing machine is not used, the material to be treated shall be excavated to the secondary grade (proposed bottom of lime treatment) and removed or windrowed to expose the secondary grade. The excavated material shall then be spread to the desired cross-section and uniformly mixed and compacted.

155-6.2 Application. Lime shall be spread only over an area where the initial mixing operations can be completed during the same work day. The application and mixing of lime with the soil shall be accomplished by the methods described as “Dry Placing” or “Slurry Placing.” The Contractor may use either method when hydrated lime is specified.

a. Dry placing. The lime shall be spread uniformly over the subgrade by an approved screw-type spreader box or other approved spreading equipment. The amount of lime spread shall be the amount

required for mixing to the specified depth that will result in the amount determined in the soil-lime mixture or as specified on the plans. The material shall be sprinkled until the specified moisture content has been reached.

The lime shall be distributed in a manner that will minimize scattering by wind. Lime shall not be applied when wind conditions, in the opinion of the Engineer, are detrimental to proper application. A motor grader shall not be used to spread the lime.

b. Slurry placing. The lime shall be mixed with water in trucks with approved distributors and applied as a thin water suspension or slurry. Commercial lime slurry shall be applied with a lime percentage not less than that applicable for the grade used. The distribution of lime shall be by successive passes over a measured section of subgrade until the specified amount of lime has been spread. The amount of lime spread shall be the amount required for mixing to the specified depth that will result in the amount determined in the soil-lime mixture or as shown on the plans. The distributor truck shall continually agitate the slurry to keep the mixture uniform.

155-6.3 Mixing. The mixing procedure shall be the same for “Dry Placing” or “Slurry Placing” as described below:

a. Preliminary mixing. The full depth of the treated subgrade shall be mixed with an approved mixing machine. Lime shall not be left exposed for more than six (6) hours. The mixing machine shall make two coverages. Water shall be added to the subgrade during mixing to provide a moisture content approximately 5% above the optimum moisture of the material and to ensure chemical action of the lime and subgrade. After mixing, the subgrade shall be lightly rolled to seal the surface and help prevent evaporation of moisture. The water content of the subgrade mixture shall be maintained at a moisture content above the optimum moisture content for a minimum of 48 hours or until the material becomes friable. During the curing period, the material shall be sprinkled as directed by the Engineer.

b. Final mixing. After the required curing time, the material shall be uniformly mixed by approved methods. If the mixture contains clods, they shall be reduced in size by blading, discing, harrowing, scarifying, or the use of other approved pulverization methods so that the remainder of the clods shall meet the following requirements when tested dry by laboratory sieves. After curing, pulverize lime treated material until soil particles pass a one inch (25 mm) sieve and 60% pass the No. 4 (4.75 mm) sieve. If resultant mixture contains clods, reduce their size by scarifying, remixing, or pulverization to meet specified gradation.

155-6.4 Compaction. Compaction of the mixture shall immediately follow the final mixing operation with no part of the mixture uncompacted more than 30 minutes after final mixing. The material shall be aerated or sprinkled as necessary to provide the optimum moisture content during compaction. The field density of the compacted mixture shall be at least 93% of the maximum density of laboratory specimens prepared from samples taken from the material in place. The specimens shall be compacted and tested in accordance with ASTM D698 to determine maximum density and optimum moisture content. The in-place field density shall be determined in accordance with [ASTM D1556] [ASTM D6938, Procedure A, direct transmission method]. Testing frequency shall be a minimum of one compaction test per [300] [500] [1000] square yards ([250] [420] [840] square meters) of stabilized base or as directed by the Engineer.

The material shall be sprinkled and rolled as directed by the Engineer. All irregularities, depressions, or weak spots that develop shall be corrected immediately by scarifying the areas affected, adding or removing material as required, and reshaping and recompacting. The surface of the subgrade shall be maintained in a smooth condition, free from undulations and ruts, until other work is placed on it or the work is accepted by the Engineer.

The full depth of the material shown on the plans shall be compacted to remain firm and stable under construction equipment. All testing shall be done by [the Engineer.] [the Contractor's laboratory in the presence of the Engineer and density test results shall be furnished upon completion to the Engineer for acceptance determination.] Perform in-place density test to determine degree of compaction between 24 and 72 hours after final compaction and 24 hour moist cure period. If the material fails to meet the density requirements, it shall be reworked to meet the density requirements. The shape of the course shall be maintained smooth and shall conform to the typical section shown on the plans and the established lines and grades. If the material loses the specified stability, density, and finish before the next course is placed or the work is accepted by the Engineer, the material shall be recompacted and refinished by the Contractor, and the cost shall be incidental to this item.

Test frequency should reflect typical lot or days placement. Adjust number of tests appropriately based on project size. Recommend not less than one test per 1,000 square yards (840 m²).

155-6.5 Finishing and curing. After the final layer or course of lime-treated subgrade has been compacted, it shall be brought to the required lines and grades in accordance with the typical sections. The completed section shall then be finished by rolling, as directed by the Engineer, with a pneumatic or other suitable roller sufficiently light to prevent hairline cracking. The finished surface shall not vary more than 3/8 inch (9 mm) when tested with a 12 feet (3.7 m) straightedge applied parallel with and at right angles to the pavement centerline. Any variations in excess of this tolerance shall be corrected by the Contractor in a manner satisfactory to the Engineer, and the cost shall be incidental to this item.

The completed section shall be moist-cured for a minimum of seven (7) days before further courses are added or any traffic is permitted, unless otherwise directed by the Engineer. Subsequent courses shall be applied within 14 days after the lime-treated subgrade is cured.

155-6.6 Thickness control. The thickness of the final lime-treated subgrade shall be not less than the thickness specified. Thickness shall be determined by depth tests or cores taken at intervals so that each test shall represent no more than 300 square yards (250 sq m). When the base deficiency is more than 1/2 inch (12 mm), the Contractor shall correct such areas in a manner satisfactory to the Engineer. The Contractor shall replace the base material where borings are taken for test purposes. This cost shall be incidental to this item.

155-6.7 Maintenance. The Contractor shall protect and maintain the lime-treated subgrade from yielding until the lime-treated subgrade is covered by placement of the next layer. The cost of this maintenance shall be incidental to this item.

155-6.8 Handling and safety. The Contractor shall obtain and enforce the lime supplier's instructions for proper safety and handling of the lime to prevent physical eye or skin contact with lime during transport or application.

METHOD OF MEASUREMENT

155-7.1 Lime-treated subgrade shall be paid for by the square yard (square meter) in the completed and accepted work.

155-7.2 Lime shall be paid by the number of tons (kg) of Hydrated Lime, or the calculated equivalent, used in the completed and accepted work. "Calculated Equivalent" will be determined by the Engineer as follows:

a. Hydrated lime delivered to the project in dry form will be measured according to the actual tonnage either spread on the subgrade or batched on site into a slurry, whichever is applicable.

b. Lime delivered to the project in slurry form will be paid for on the basis of certified chemical composition tickets and batch weight tickets. The Owner shall reserve the right to have the dry lime content verified by an independent testing laboratory. If the chemical composition is reported on the basis of Pebble Quicklime, the equivalent hydrated lime will be determined in accordance with paragraph c. below.

c. If Pebble Quicklime is delivered to the project in dry form it will be measured for payment on the basis of the following formula:

$$\left(\frac{\text{Total Quicklime (CaO)(Tons)}}{\% \text{ Purity} \times 1.32 \text{ Factor}} \right) + \left(\frac{\text{Total Quicklime (CaO)(Tons)}}{\% \text{ Impurities} \times 1.00 \text{ Factor}} \right) = \frac{\text{Equivalent Hydrated Lime}}{\text{Ca(OH)}_2 \text{(Tons)}}$$

The above will apply whether the quicklime is spread dry (if allowed) or batched into a slurry.

BASIS OF PAYMENT

155-8.1 Payment shall be made at the contract unit price per square yard (square meter) for the lime-treated subgrade at the thickness specified. The price shall be full compensation for furnishing all material, except the lime, and for all preparation, delivering, placing and mixing these materials, and all labor, equipment, tools and incidentals necessary to complete this item.

155-8.2 Payment shall be made at the contract unit price per pound (kg) of lime. This price shall be full compensation for furnishing, delivery, and placing this material.

Payment will be made under:

Item P-155-8.1	Lime-treated subgrade - per square yard (m ²)
Item P-155-8.2	Lime - per pound (kg)

TESTING REQUIREMENTS

ASTM D698	Standard Test Methods for Laboratory Compaction Characteristics of Soil Using Standard Effort (12,400 ft-lbf/ft ³) (600 kN-m/m ³)
ASTM D1556	Standard Test Method for Density and Unit Weight of Soil in Place by the Sand-Cone Method
ASTM D6938	Standard Test Method for In-Place Density and Water Content of Soil and Soil-Aggregate by Nuclear Methods (Shallow Depth)

MATERIAL REQUIREMENTS

ASTM C51	Standard Terminology Relating to Lime and Limestone (as used by the Industry)
ASTM C977	Standard Specification for Quicklime and Hydrated Lime for Soil Stabilization
ASTM D3551	Standard Practice for Laboratory Preparation of Soil-Lime Mixtures Using Mechanical Mixer

END OF ITEM P-155

Intentionally Left Blank

Item P-156 Temporary Air and Water Pollution, Soil Erosion, and Siltation Control

DESCRIPTION

156-1.1 This item shall consist of temporary control measures as shown on the plans or as ordered by the Engineer during the life of a contract to control water pollution, soil erosion, and siltation through the use of silt fences, berms, dikes, dams, sediment basins, fiber mats, gravel, mulches, grasses, slope drains, and other erosion control devices or methods.

The temporary erosion control measures contained herein shall be coordinated with the permanent erosion control measures specified as part of this contract to the extent practical to assure economical, effective, and continuous erosion control throughout the construction period.

Temporary control may include work outside the construction limits such as borrow pit operations, equipment and material storage sites, waste areas, and temporary plant sites.

Temporary control measures shall be design, installed and maintained to minimize the creation of wildlife attractants that have the potential to attract hazardous wildlife on or near public-use airports.

The Engineer may add any other temporary erosion control means and methods required by Federal, state or local authorities. The Engineer shall place all erosion control devices outside the safety areas of active runways or taxiways. All erosion control devices located within a runway safety area must be removed prior to re-activation of the runway or taxiway and upon approval of the Engineer.

**Refer to advisory circular (AC) 150/5200-33, Hazardous Wildlife Attractants on or Near Airports, and the FAA/USDA Wildlife Hazard Management at Airports, A Manual for Airport Personnel, for information on hazardous wildlife attractants. Both documents are available at the following website:
http://www.faa.gov/airports/airport_safety/wildlife/guidance/.**

MATERIALS

156-2.1 Grass. Grass that will not compete with the grasses sown later for permanent cover per Item T-901 shall be a quick-growing species (such as ryegrass, Italian ryegrass, or cereal grasses) suitable to the area providing a temporary cover. Selected grass species shall not create a wildlife attractant.

156-2.2 Mulches. Mulches may be hay, straw, fiber mats, netting, bark, wood chips, or other suitable material reasonably clean and free of noxious weeds and deleterious materials per Item T-908. Mulches shall not create a wildlife attractant.

156-2.3 Fertilizer. Fertilizer shall be a standard commercial grade and shall conform to all Federal and state regulations and to the standards of the Association of Official Agricultural Chemists.

156-2.4 Slope drains. Slope drains may be constructed of pipe, fiber mats, rubble, Portland cement concrete, bituminous concrete, or other materials that will adequately control erosion.

156-2.5 Silt fence. The silt fence shall consist of polymeric filaments which are formed into a stable network such that filaments retain their relative positions. Synthetic filter fabric shall contain ultraviolet ray inhibitors and stabilizers to provide a minimum of six months of expected usable construction life. Silt fence shall meet the requirements of ASTM D6461.

156-2.6 Other. All other materials shall meet commercial grade standards and shall be approved by the Engineer before being incorporated into the project.

CONSTRUCTION REQUIREMENTS

156-3.1 General. In the event of conflict between these requirements and pollution control laws, rules, or regulations of other Federal, state, or local agencies, the more restrictive laws, rules, or regulations shall apply.

The Engineer shall be responsible for assuring compliance to the extent that construction practices, construction operations, and construction work are involved.

Some states, municipalities, and pollution control authorities have very specific regulations for air and water pollution controls. Typically, these may include requirements such as:

- **Use of smoke density charts.**
- **Measurement of weight and density (micrograms per cubic meter of air) of suspended particulate.**
- **Permissible weights of emission in pounds per hour (kilograms per hour) versus pounds per hour (kilograms per hour) of material processed.**
- **Open burning.**
- **Erosion control measures.**

156-3.2 Schedule. Prior to the start of construction, the Contractor shall submit schedules for accomplishment of temporary and permanent erosion control work for clearing and grubbing; grading; construction; paving; and structures at watercourses. The Contractor shall also submit a proposed method of erosion and dust control on haul roads and borrow pits and a plan for disposal of waste materials. Work shall not be started until the erosion control schedules and methods of operation for the applicable construction have been accepted by the Engineer.

Typical methods of controlling dust and other air pollutants may include among others:

- **Exposing the minimum area of erodible earth.**
- **Applying temporary mulch with or without seeding.**
- **Using water sprinkler trucks.**
- **Using covered haul trucks.**
- **Using dust palliatives or penetration asphalt on haul roads.**
- **Using plastic sheet coverings.**

156-3.3 Construction details. The Contractor will be required to incorporate all permanent erosion control features into the project at the earliest practicable time as outlined in the accepted schedule. Except where future construction operations will damage slopes, the Contractor shall perform the permanent seeding and mulching and other specified slope protection work in stages, as soon as substantial areas of exposed slopes can be made available. Temporary erosion and pollution control measures will be used to correct conditions that develop during construction that were not foreseen during the design stage; that are needed prior to installation of permanent control features; or that are needed temporarily to control erosion that develops during normal construction practices, but are not associated with permanent control features on the project.

Where erosion may be a problem, clearing and grubbing operations should be scheduled and performed so that grading operations and permanent erosion control features can follow immediately if project conditions permit; otherwise, temporary erosion control measures may be required.

The Engineer shall limit the area of clearing and grubbing, excavation, borrow, and embankment operations in progress, commensurate with the Contractor's capability and progress in keeping the finish grading, mulching, seeding, and other such permanent control measures current with the accepted schedule. If seasonal limitations make such coordination unrealistic, temporary erosion control measures shall be taken immediately to the extent feasible and justified as directed by the Engineer.

The Contractor shall provide immediate permanent or temporary pollution control measures to minimize contamination of adjacent streams or other watercourses, lakes, ponds, or other areas of water impoundment as directed by the Engineer. If temporary erosion and pollution control measures are required due to the Contractor's negligence, carelessness, or failure to install permanent controls as a part of the work as scheduled or directed by the Engineer, the work shall be performed by the Contractor and the cost shall be incidental to this item.

The Engineer may increase or decrease the area of erodible earth material that can be exposed at any time based on an analysis of project conditions.

The erosion control features installed by the Contractor shall be acceptably maintained by the Contractor during the construction period.

Whenever construction equipment must cross watercourses at frequent intervals, temporary structures should be provided.

Pollutants such as fuels, lubricants, bitumen, raw sewage, wash water from concrete mixing operations, and other harmful materials shall not be discharged into any waterways, impoundments or into natural or manmade channels.

156-3.4 Installation, maintenance and removal of silt fences. Silt fences shall extend a minimum of 16 inches (41 cm) and a maximum of 34 inches (86 cm) above the ground surface. Posts shall be set no more than 10 feet (3 m) on center. Filter fabric shall be cut from a continuous roll to the length required minimizing joints where possible. When joints are necessary, the fabric shall be spliced at a support post with a minimum 12-inch (300-mm) overlap and securely sealed. A trench shall be excavated approximately 4 inches (100 mm) deep by 4 inches (100 mm) wide on the upslope side of the silt fence. The trench shall be backfilled and the soil compacted over the silt fence fabric. The Contractor shall remove and dispose of silt that accumulates during construction and prior to establishment of permanent erosion control. The fence shall be maintained in good working condition until permanent erosion control is established. Silt fence shall be removed upon approval of the Engineer.

METHOD OF MEASUREMENT

156-4.1 Temporary erosion and pollution control work required will be performed as scheduled or directed by the Engineer. Completed and accepted work will be measured as follows:

- a. Temporary seeding and mulching will be measured by the square yard (square meter).
- b. Temporary slope drains will be measured by the linear foot (meter).
- c. Temporary benches, dikes, dams, and sediment basins will be measured by the cubic yard (cubic meter) of excavation performed, including necessary cleaning of sediment basins, and the cubic yard (cubic meter) of embankment placed as directed by the Engineer.
- d. All fertilizing will be measured by the ton (kg).
- e. Installation and removal of silt fence will be measured by the [linear foot (meter)] [Lump sum].

156-4.2 Control work performed for protection of construction areas outside the construction limits, such as borrow and waste areas, haul roads, equipment and material storage sites, and temporary plant sites, will not be measured and paid for directly but shall be considered as a subsidiary obligation of the Contractor.

BASIS OF PAYMENT

156-5.1 Accepted quantities of temporary water pollution, soil erosion, and siltation control work ordered by the Engineer and measured as provided in paragraph 156-4.1 will be paid for under:

Item P-156-5.1a	Temporary seeding and mulching - per square yard (square meter)
Item P-156-5.1b	Temporary slope drains - per linear foot (meter)
Item P-156-5.1c	Temporary benches, dikes, dams and sediment basins - per cubic yard (cubic meter)
Item P-156-5.1d	Fertilizing - per ton (kg)
Item P-156-5.1e	Installation and removal of silt fence [per linear feet (meter)] [lump sum]

Where other directed work falls within the specifications for a work item that has a contract price, the units of work shall be measured and paid for at the contract unit price bid for the various items.

Temporary control features not covered by contract items that are ordered by the Engineer will be paid for in accordance with Section 90-05 Payment for Extra work.

MATERIAL REQUIREMENTS

ASTM D6461	Standard Specification for Silt Fence Materials
AC 150/5200-33	Hazardous Wildlife Attractants

END OF ITEM P-156

Item P-157 Cement Kiln Dust (CKD) Treated Subgrade

DESCRIPTION

157-1.1 This item shall consist of constructing one or more courses of a mixture of soil, cement kiln dust (CKD), and water in accordance with this specification, and in conformity with the lines, grades, thickness, and typical cross-sections shown on the plans.

MATERIALS

157-2.1 Cement kiln dust (CKD). Cement kiln dust shall contain a minimum of 40% CaO and be capable of providing the soil modification specified for this project. [Cement Kiln Dust from the [] Cement Plants are a pre-approved source for cement kiln dust for this project.] All other sources shall be identified and approved in advance of stabilization operations so laboratory tests can be completed prior to beginning work.

Enter the known acceptable sources of cement kiln dust. If no sources have been pre-identified, delete the 2nd sentence.

Cement kiln dust shall be stored and handled in closed waterproof containers until immediately before distribution. Temporary storage (less than 12 hours) in open pits may be allowed, however wetting of the cement kiln dust by rain or subgrade moisture is not allowed. Cement kiln dust exposed to moisture prior to mixing with soils shall be discarded.

157-2.2 Water. Water used for mixing or curing shall be potable, reasonably clean and free of oil, salt, acid, alkali, sugar, vegetable, or other substances injurious to the finished product.

157-2.3 Soil. The soil for this work shall consist of on-site materials or selected materials from other sources and shall be uniform in quality and gradation, and shall be approved by the Engineer. The soil shall be free of roots, sod, weeds, and stones larger than 2-1/2 inches (60 mm) and have a sulfate content of less than 1.0%.

COMPOSITION

157-3.1 Cement kiln dust. Samples for evaluation of cement kiln dust effectiveness shall be taken from each layer of CKD treated subgrade after it has been properly mixed and moisture conditioned. Cement kiln dust shall be added until a Plasticity Index of less than [] is reached. When the cement kiln dust treated material is used as a base material, it shall be added until a minimum California Bearing Ratio (CBR) of [] and/or a 7-day accelerated (100°F (38°C)) compressive strength of [] psi is achieved per ASTM C593. Payment will be based on the amount of cement kiln dust required to obtain the minimum soil properties specified.

Enter the desired properties for the treated material.

[**157-3.2 Soil-CKD mixture.** [Ten] [] days prior to the commencement of the work, the Contractor shall submit a soil-CKD mixture showing the amount of CKD and water required per cubic yard (cubic meter), and procedures for blending the CKD/subgrade mixture for each type of existing soil. The soil-CKD mixture shall include process type and number of: CKD applications, stages of mixing, slurry injection depths, mixing depths, and depths of compaction lifts. Also, the Contractor shall submit a list of equipment to be used and their relation to method of mix proportions, spreading, pulverizing and compacting subgrade, slurry injection, jet slurry mixing, and other related work. The soil-CKD mixture shall also contain the amount of CKD, either in sacks or pounds per cubic yard (kg per cubic meter) and the amount of water to be used, if slurry method is used.]

The Engineer may specify the amount of CKD on the plans in lieu of requiring the Contractor to provide the soil-CKD mixture. If so, replace the text in paragraph 157-3.2 with the following:

“CKD shall be applied at the rate specified on the plans for the depth of subgrade treatment shown.”

If the Engineer specifies the amount of CKD, then this paragraph should specify the amount of CKD to be incorporated either by percent of dry weight or by the desired performance criteria. Samples for determination of CKD content should be from material, which will represent the final placement of material to be treated. The CKD content should be sufficient to lower the Liquid Limit to less than 30 and the Plasticity Index to less than 10.

The project specifications should address the percent of CKD to be used in the project. If the exact percent is not specified, the Contractor should be provided with some means to estimate (for bidding purposes) the quantity of CKD to be used in the project.

157-3.3 Tolerances. At final compaction, the CKD and water content for each course of subgrade treatment shall conform to the following tolerances:

Material/Properties	Target	Tolerance	Specifications
Cement Kiln Dust	[]%	0 to +2%	% Total Dry Materials
Moisture Content	Optimum	0% to 6%	ASTM D1557
Plastic Index	< []	None	ASTM D4318

Enter the appropriate values as identified in paragraph 157-3.1

WEATHER LIMITATIONS

157-4.1 Weather limitation. Do not construct subgrade when weather conditions detrimentally affect the quality of the materials. Do not apply CKD unless the air temperature is at least 40°F (4°C) and rising. Do not apply CKD to soils that are frozen or contain frost. Do not apply CKD when conditions are too windy to allow even distribution of the CKD to the subgrade. If the air temperature falls below 35°F (2°C), protect completed CKD-treated areas by approved methods against the detrimental effects of freezing. Remove and replace any damaged portion of the completed soil-CKD treated area with new soil-CKD material in accordance with this specification.

EQUIPMENT

157-5.1 Equipment. The equipment required shall include all equipment necessary to complete this item such as: grading and scarifying equipment, a spreader for the cement kiln dust, mixing or pulverizing equipment, sheepsfoot and pneumatic or vibrating rollers, sprinkling equipment, and trucks.

CONSTRUCTION METHODS

157-6.1 General. This specification is to construct a subgrade consisting of a uniform cement kiln dust/soil mixture which shall be free from loose or segregated areas. The subgrade shall be of uniform density and moisture content, well mixed for its full depth and have a smooth surface suitable for placing subsequent courses. The Contractor shall be responsible for meeting the above requirements.

Before beginning any cement kiln dust treatment the subgrade shall be constructed as specified in Item P-152, Excavation, Subgrade, and Embankment, and shaped to conform to the typical sections, lines, and grades as shown on the plans. Any wet or unstable areas shall be corrected, as directed by the Engineer. The Contractor shall be required to proof roll the subgrade, as directed by the Engineer, and correct any soft areas revealed by the proof rolling.

If the Contractor elects to use a cutting and pulverizing machine that will remove the subgrade material accurately to the secondary grade and pulverize the material at the same time, he will not be required to expose the secondary grade nor windrow the material. The machine must give visible indication at all times that it is cutting the material uniformly to the proper depth over the entire width of the cut.

If a cutting and pulverizing machine is not used, the material to be treated shall be excavated to the secondary grade (proposed bottom of CKD treatment) and removed or windrowed to expose the secondary grade. The excavated material shall then be spread to the desired cross-section and uniformly mixed and compacted.

157-6.2 Application. Cement kiln dust shall be spread only over an area where the initial mixing operations can be completed during the same workday. The application and mixing of cement kiln dust with the soil shall be accomplished by “Dry Placing”.

a. Dry placing. The cement kiln dust shall be spread uniformly over the top of the subgrade by an approved screw type spreader box or other approved spreading equipment. The amount of cement kiln dust spread shall be the amount required for mixing to the specified depth which will result in the percentage determined in paragraph 157-3.2.

The cement kiln dust shall be distributed in a manner to minimize scattering by wind. Cement kiln dust shall not be applied when wind conditions, in the opinion of the Engineer, are detrimental to a proper application. The CKD/soil mixture shall be moisture conditioned until the proper moisture content has been reached.

157-6.3 Mixing. The mixing procedure shall be as described below:

The full depth of the treated subgrade shall be mixed with a rotary pulvi-mixer, disc, field cultivator or, other suitable methods as approved by the Engineer. Cement kiln dust shall not be left exposed for more than one (1) hour after distribution.

Required moisture content shall be established per paragraph 157-3.2 based on laboratory tests with the site soils at the specified cement kiln dust percent to be used for soil modification. Final moisture content of the mix, immediately prior to compaction shall be determined in accordance with ASTM D1557.

If the soil cement kiln dust mixture contains clods greater than 1-1/2 inches (38 mm) in size, they shall be reduced in size by additional pulverization.

As a minimum, one soil sample will be obtained and tested for each 25 tons (23 metric tons) of CKD incorporated. Testing shall include Plastic Index Determination per ASTM D4318 and 7-day accelerated compressive strengths per ASTM C593.

Areas that fall below specified values shall be reworked, as directed by the Engineer.

157-6.4 Compaction. Compaction of the soil/CKD mixture shall be delayed for a minimum of 24 hours after mixing the cement kiln dust into the subgrade. The field density of the compacted mixture shall be at least 90% of the maximum density as determined by ASTM D1557. The in-place field density shall be determined in accordance with [ASTM D1556][ASTM D2167][ASTM D6938, Procedure A, direct transmission method]. Testing frequency shall be a minimum of one (1) compaction test per [300][500][1000] square yards ([250][420][840] m²) of stabilized subgrade or as directed by the Engineer.

Test frequency should reflect typical lot or days placement. Adjust number of tests appropriately for statistical sampling based on project size. Recommend not less than one test per 1,000 square yards (840 m²).

All irregularities, depressions, or weak spots shall be corrected immediately by scarifying the areas affected, adding or removing material as required, and reshaping and recompacting. The surface of the subgrade shall be maintained in a smooth condition, free from undulations and ruts, until other work is placed on it or the work is accepted by the Engineer.

The full depth of the material shown on the plans shall be compacted to remain firm and stable under construction equipment. All testing shall be done by [the Engineer.][the Contractor's laboratory in the presence of the Engineer and density test results shall be furnished upon completion to the Engineer for acceptance determination.] Perform in-place density test to determine degree of compaction between 24 and 72 hours after final compaction and 24 hour moist cure period. If the material fails to meet the density requirements, it shall be reworked to meet the density requirements. The shape of the course shall be maintained smooth conforming with the typical section shown on the plans to the established lines and grades specified. If the material loses the specified stability, density, and finish before the next course is

placed or the work is accepted by the Engineer, the material shall be recompact and refinished by the Contractor and the cost shall be incidental to this item.

Test frequency should reflect typical lot or days placement. Adjust number of tests appropriately for statistical sampling based on project size. Recommend not less than one test per 1,000 square yards (840 m²).

157-6.5 Finishing and curing. After the final layer or course of cement kiln dust treated subgrade has been compacted, it shall be brought to the required lines and grades in accordance with the typical sections. The finished surface shall not vary more than 3/8 inch (9 mm) when tested with a 12-foot (3.7-m) straightedge applied parallel with and at right angles to the pavement centerline. Any variations in excess of this tolerance shall be corrected by the Contractor in a manner satisfactory to the Engineer. The cost shall be incidental to this item.

After the cement kiln dust treated course has been finished as specified, the surface shall be protected against rapid drying by either of the following methods for a period of not less than three days or until the pavement section is placed.

- a. Maintain in continuously moist condition by sprinkling.
- b. Apply a 2-inch (50-mm) layer of earth on the compacted course and maintain in a moist condition.

157-6.6 Thickness control. The thickness of the cement kiln dust treated subgrade shall be determined by depth tests or cores taken at intervals so that each test shall represent no more than [300/500/1000] square yard [250/420/840 sq m]. When the base deficiency is more than 1/2 inch (12 mm), the Contractor shall correct the area(s) in a manner satisfactory to the Engineer. The Contractor shall replace the base material where borings are taken for test purposes. The cost shall be incidental to this item.

157-6.7 Maintenance. The Contractor shall maintain the entire cement kiln dust treated subgrade in good condition from the start of work until all the work has been completed, cured, and accepted by the Engineer. The cost shall be incidental to this item.

157-6.8 Handling and safety. The Contractor shall obtain and enforce the CKD supplier's instructions for proper safety and handling of the CKD to prevent physical eye or skin contact with CKD during transport or application.

METHOD OF MEASUREMENT

157-7.1 The amount of CKD treated subgrade shall be based on the number of square yards [square meters] complete and accepted.

157-7.2 The amount of cement kiln dust used is based upon an application rate of [] percent (by dry weight of soil). The amount of CKD shall be paid by the number of tons (kg) of CKD used in the completed and accepted work.

Enter the estimated percentage of kiln dust for the project.

BASIS OF PAYMENT

157-8.1 Payment shall be made at the contract unit price per square yard for the cement kiln dust treated subgrade for the thickness specified. The price shall be full compensation for furnishing all material, and for all preparation, delivering, placing and mixing these materials, and all labor, equipment, tools and incidentals necessary to complete this item.

157-8.2 Payment shall be made at the contract unit price per ton [kg] for the cement kiln dust.

Payment will be made under:

Item P 157-8.1 Cement kiln dust treated subgrade per square yard

Item P 157-8.2 Cement kiln dust per ton [kg]

TESTING REQUIREMENTS

ASTM C593 Standard Specification for Fly Ash and Other Pozzolans for Use With Lime for Soil Stabilization

ASTM D1556 Standard Test Method for Density and Unit Weight of Soil in Place by the Sand-Cone Method

ASTM D1557 Standard Test Methods for Laboratory Compaction Characteristics of Soil Using Modified Effort (56,000 ft-lbf/ft³ (2,700 kN-m/m³))

ASTM D2167 Standard Test Method for Density and Unit Weight of Soil in Place by the Rubber Balloon Method

ASTM D4318 Standard Test Methods for Liquid Limit, Plastic Limit and Plasticity Index of Soils

END OF ITEM P-157

Item P-158 Fly Ash Treated Subgrade

The soluble sulfate contents of the soils should be checked during design to determine if stabilization with lime, cement, and/or fly ash can react and induce heave. Sulfate reaction with either the soil to be stabilized or mixing water used in the stabilization process may be detrimental to the finished product due to the expansive nature of the sulfate reaction. Soluble sulfate contents as low as 0.5% have resulted in excessive expansion of the soil due to the formation of ettringite and thaumasite. During the design phase soils and water anticipated to be included in the stabilized material should be tested for potential to cause an adverse expansion reaction. The Contractor should be required to test any off site borrow sources for sulfates.

DESCRIPTION

158-1.1 This item shall consist of constructing one or more courses of a mixture of soil, fly ash, and water in accordance with this specification, and in conformity with the lines, grades, thicknesses, and typical cross-sections shown on the plans.

MATERIALS

158-2.1 Fly ash. Fly ash shall meet ASTM C618, when sampled and tested in accordance with ASTM C311, unless otherwise shown on the plans. Fly ash shall be Class C containing a minimum of 25% CaO. The source of the fly ash shall be identified by the Contractor and approved by the Engineer in advance of stabilization operations so laboratory tests can be completed prior to beginning work.

Fly ash shall be handled and stored in closed weatherproof containers until immediately before distribution. Temporary storage (less than 12 hours) in open pits may be allowed, however wetting of the fly ash by rain or ground water is not allowed. Fly ash exposed to moisture prior to mixing with soils shall be discarded.

158-2.2 Water. Water used for mixing or curing shall be potable, reasonably clean and free of oil, salt, acid, alkali, sugar, vegetable, or other substances injurious to the finished product.

158-2.3 Soil. The soil for this work shall consist of materials on the site or selected materials from other sources and shall be uniform in quality and gradation, and shall be approved by the Engineer. The soil shall be free of roots, sod, weeds, and stones larger than 2-1/2 inches (60 mm).

COMPOSITION

158-3.1 Fly ash. Fly ash shall be applied at the rate specified on the plans for the depth of subgrade treatment shown.

This paragraph should specify the amount of fly ash to be incorporated either by percent of dry weight or by the desired performance criteria. Samples for determination of fly ash content should be from material which will represent the final placement of material to be treated. The fly ash content should be sufficient at target design, such that the liquid limit of the soils is reduced, the PH is increased, and an increase in bearing capacity is achieved.

The project specifications should address the percent of fly ash to be used in the project. If the exact percent is not specified, the Contractor should be provided with some means to estimate (for bidding purposes) the quantity of fly ash to be used in the project. Experience has shown that 15% of dry weight has been sufficient.

158-3.2 Tolerances. At final compaction, the fly ash and water content for each course of subgrade treatment shall conform to the following tolerances:

Material	Tolerance
Fly ash	+ 0.5%
Water	+ 2%, -0%

158-3.3 Soil-fly ash mixture. [[Ten] []] days prior to the commencement of the work, the Contractor shall submit a soil-fly ash mixture showing the amount of fly ash and water required per cubic yard (cubic meter), and procedures for blending the fly ash/subgrade mixture for each type of existing soil. The soil-fly ash mixture shall include process type and number of: fly ash applications, stages of mixing, slurry injection depths, mixing depths and depths of compaction lifts. Also, the Contractor shall submit a list of equipment to be used and their relation to method of mixing proportioning, spreading, pulverizing and compacting subgrade, slurry injection, jet slurry mixing and other related work. The soil-fly ash mixture shall also contain amount of fly ash, either in sacks or pounds per cubic yard (kg per cubic meter) and the amount of water to be used, if slurry method is used.]

The Engineer may specify the amount of fly ash on the plans in lieu of requiring the Contractor to provide the soil-lime mixture. If so, replace the text in paragraph 158-3.3 with the following:

“Fly ash shall be applied at the rate specified on the plans for the depth of subgrade treatment shown.”

If the Engineer specifies the amount of fly ash, then this paragraph should specify the amount of fly ash to be incorporated either by percent of dry weight or by the desired performance criteria. Samples for determination of fly ash content should be from material, which will represent the final placement of material to be treated. The fly ash content should be sufficient to lower the Liquid Limit to less than 30 and the Plasticity Index to less than 10.

The project specifications should address the percent of fly ash to be used in the project. If the exact percent is not specified, the Contractor should be provided with some means to estimate (for bidding purposes) the quantity of fly ash to be used in the project.

WEATHER LIMITATIONS

158-4.1 Weather limitation. Do not construct subgrade when weather conditions detrimentally affect the quality of the materials. Do not apply fly ash unless the air temperature is at least 40°F (4°C) and rising. Do not apply fly ash to soils that are frozen or contain frost. If the air temperature falls below 35°F (2°C), protect completed fly ash-treated areas by approved methods against the detrimental effects of freezing. Remove and replace any damaged portion of the completed soil-fly ash treated area with new soil-fly ash material in accordance with this specification.

EQUIPMENT

158-5.1 Equipment. The equipment required shall include all equipment necessary to complete this item such as: grading and scarifying equipment, a spreader for the fly ash, mixing or pulverizing equipment, sheepsfoot and pneumatic or vibrating rollers, sprinkling equipment, and trucks.

CONSTRUCTION METHODS

158-6.1 General. This specification is to construct a complete subgrade with a uniform fly ash/soil mixture which shall be free from loose or segregated areas. The subgrade shall be of uniform density and moisture content well mixed for its full depth, and have with a smooth surface suitable for placing subsequent courses. The Contractor shall be responsible to meet these above requirements.

Before beginning any fly ash treatment, the subgrade shall be constructed as specified in Item P-152 “Excavation, Subgrade, and Embankment” and shaped to conform to the typical sections, lines, and grades as shown on the plans.

If the Contractor chooses to use a cutting and pulverizing machine which can remove the subgrade material accurately to the secondary grade (proposed bottom of fly ash treatment) and pulverize the material at the same time, he will not be required to expose the secondary grade nor windrow the material. The machine must give visible indication at all times that it is cutting the material uniformly to the proper depth over the entire width of the cut.

If a cutting and pulverizing machine is not used, the material to be treated shall be excavated to the secondary grade (proposed bottom of fly ash treatment) and removed or windrowed to expose the secondary grade. The excavated material shall then be spread to the desired cross-section and uniformly mixed and compacted. Any wet or unstable materials below the secondary grade shall be corrected, as directed by the Engineer.

158-6.2 Application. Fly ash shall be spread only over an area where the initial mixing operations can be completed within two (2) hours. The application and mixing of fly ash with the soil shall be accomplished by the “Dry Placing” method described below.

a. Dry placing. The fly ash shall be spread uniformly over the subgrade by an approved screw-type spreader box or other approved spreading equipment. The amount of fly ash spread shall be the amount required for mixing to the specified depth which will result in the percentage determined in the fly ash-

soil mixture or as specified on the plans. The material shall be sprinkled until the specified moisture content has been reached.

The fly ash shall be distributed in a manner that will minimize scattering by wind. Fly ash shall not be applied when wind conditions are detrimental to proper application. A motor grader shall not be used to spread the fly ash.

158-6.3 Mixing. The mixing procedure shall be as follows. The full depth of the treated subgrade shall be mixed with a rotary pulvimixer that uses a direct hydraulic drive. Fly ash shall not be left exposed for more than 30 minutes after distribution. The mixing machine shall make two coverages. Water shall be added through the use of a pulvimixer equipped with a spray bar in the mixing drum. The spray bar shall be capable of applying sufficient quantities of water to achieve the required moisture content of the soil-fly ash mixture. The system shall be capable of being regulated to maintain moisture content within the recommended range.

The required moisture content shall be established based on laboratory tests using the on-site soils and specified fly ash used for the treatment per paragraph 158-3.1. Final moisture content of the mix, immediately prior to compaction shall be determined in accordance with ASTM D698 and shall be within $\pm 2\%$ of the optimum moisture content for maximum density of the mix. If moisture contents exceed the specified limits, additional fly ash may be added to lower the moisture content to the required limits. Lowering moisture contents by aeration following addition of the fly ash will not be permitted.

If the soil fly ash mixture contains clods greater than 1-1/2 inches (38 mm) in size, the clods shall be reduced in size by additional pulverization.

158-6.4 Compaction. Compaction of the soil-fly ash mixture shall begin immediately after mixing of the fly ash and be completed within two hours following addition of the fly ash. The field density of the compacted mixture shall be at least 95% of the maximum density of laboratory specimens prepared from samples taken from the material in place. The specimens shall be compacted and tested in accordance with ASTM D698. The in-place density shall be determined in accordance with [ASTM D1556] [ASTM D2167] [ASTM D6938 Procedure A, direct transmission method and the machines shall be calibrated in accordance with ASTM D6938]. Testing frequency shall be a minimum of one (1) compaction test per [300] [500] [1000] square yards ([250] [420] [840] square meters) of stabilized subgrade or as directed by the Engineer.

All irregularities, depressions, or weak spots shall be corrected immediately by scarifying the affected areas, adding or removing material as required, and reshaping and re-compacting. The subgrade surface shall be maintained smooth, free from undulations and ruts, until other work is placed on the subgrade or the work is accepted by the Engineer.

The full depth of the subgrade material shown on the plans shall be compacted as necessary to stay firm and stable under construction equipment. After each section is complete, tests will be made by the [Engineer.] [Contractor's laboratory in the presence of the Engineer and upon completion the results will be provided to the Engineer for acceptance.] If the material fails to meet the density requirements, it shall be reworked to meet the density requirements. The shape of the course shall be maintained smooth and conform to the typical section shown on the plans and to the established lines and grades. If the material, due to any reason or cause, loses the specified stability, density, and finish before the next course is placed or the work is accepted, it shall be recompacted and refinished by the Contractor and the cost shall be incidental to this item.

Test frequency should reflect typical lot or days placement. Adjust number of tests appropriately based on project size. Recommend not less than one test per 1,000 square yards (836 m²).

158-6.5 Finishing and curing. After the final layer or course of the fly ash treated subgrade has been compacted, it shall be brought to the required lines and grades in accordance with the typical sections. The finished surface shall not vary more than 3/8 inch (9 mm) when tested with a 12 feet (3.7 m) straightedge applied parallel with and at right angles to the pavement centerline. Any variations greater than this tolerance shall be corrected by the Contractor in a manner satisfactory to the Engineer and the cost shall be incidental to this item.

After the fly ash treated subgrade has been finished as specified, the surface shall be protected against rapid drying for a period of not less than three days or until the pavement section is placed. Either of the following methods may be used to protect the surface against rapid drying:

- a. Sprinkling to maintain the surface in a thorough and continuously moist condition or
- b. Applying a 2 inch (50 mm) layer of earth over the complete course and maintaining it in a moist condition.

158-6.6 Thickness control. The thickness of the fly ash treated subgrade shall be determined by depth tests or cores taken every 300 square yard (250 sq m) or less. When the base deficiency is more than 1/2 inch (12 mm), the Contractor shall correct such areas in a manner satisfactory to the Engineer. The Contractor shall replace the base material where depth tests or cores are taken and the cost shall be incidental to this item.

158-6.7 Maintenance. The Contractor shall maintain the fly ash treated subgrade in good condition until all the work has been completed, cured, and accepted by the Engineer. The cost is incidental to this item.

158-6.8 Handling and safety. The Contractor shall obtain and enforce the fly ash supplier's instructions for proper safety and handling of the fly ash to prevent physical eye or skin contact with fly ash during transport or application.

METHOD OF MEASUREMENT

158-7.1 Fly ash treated subgrade shall be paid for by the number of square yards (square meters) completed and accepted.

158-7.2 Fly ash shall be paid for by the number of pounds (kg) of fly ash used as authorized.

BASIS OF PAYMENT

158-8.1 Payment shall be made at the contract unit price per square yard (square meter) for the fly ash treated subgrade at the specified thickness. The price shall be full compensation for furnishing all material, except the fly ash, and for all preparation, delivering, placing and mixing these materials, and all labor, equipment, tools and incidentals necessary to complete this item.

158-8.2 Payment shall be made at the contract unit price per pound (kg) of fly ash. This price shall be full compensation for furnishing this material; for all delivery, placing and incorporation of this material; and for all labor, equipment, tools, and incidentals necessary to complete this item.

Payment will be made under:

- | | |
|----------------|---|
| Item P-158-8.1 | Fly ash treated subgrade per square yard (square meter) |
| Item P-158-8.2 | Fly ash per pound (kg) |

TESTING REQUIREMENTS

- | | |
|------------|--|
| ASTM C311 | Standard Test Methods for Sampling and Testing Fly Ash or Natural Pozzolans for Use in Portland-Cement Concrete |
| ASTM D698 | Standard Test Methods for Laboratory Compaction Characteristics of Soil Using Standard Effort (12,400 ft-lbf/ft ³ (600 kN-m/m ³)) |
| ASTM D1556 | Standard Test Method for Density and Unit Weight of Soil in Place by the Sand-Cone Method |
| ASTM D2167 | Standard Test Method for Density and Unit Weight of Soil in Place by the Rubber Balloon Method |
| ASTM D6938 | Standard Test Method for In-Place Density and Water Content of Soil and Soil-Aggregate by Nuclear Methods (Shallow Depth) |

MATERIAL REQUIREMENTS

- | | |
|-----------|--|
| ASTM C618 | Standard Specification for Coal Fly Ash and Raw or Calcined Natural Pozzolan for Use in Concrete |
|-----------|--|

END OF ITEM P-158

Part 3 – Flexible Base Courses

Item P-208 Aggregate Base Course

208-1.1 This item shall consist of a base course composed of course aggregate bonded with fine aggregate base. It shall be constructed on a prepared subgrade or subbase course per these specifications and shall conform to the dimensions and typical cross-section shown on the plans.

MATERIALS

208-2.1 Aggregate base. The aggregate base material shall consist of both fine and coarse aggregate. Material shall be clean, sound, durable particles and fragments of stone or gravel, crushed stone, [crushed slag,] or crushed gravel mixed or blended with sand, screenings, or other similar materials produced from approved sources. The aggregate shall be free from lumps of clay, organic matter, and other objectionable materials or coatings.

[Crushed slag shall be air-cooled, blast furnace product consisting of angular fragments reasonably uniform in density and quality and shall be reasonably free from thin, elongated, or soft pieces, dirt, and other objectionable matter. It shall weigh not less than 70 pounds per cubic foot (1.12 Mg/cubic meter) as determined by ASTM C29.]

Crushed aggregate shall consist of clean, sound, durable stones and rock crushed to specified size and shall be free from excess soft or disintegrated pieces, dirt, or other objectionable matter. The method used to produce the crushed gravel shall result in the fractured particles in the finished product as nearly constant and uniform as practicable.

The coarse aggregate portion, defined as the portion retained on the No. 4 sieve, shall not have a loss of greater than 50% when tested per ASTM C131. The sodium sulfate soundness loss shall not exceed 12%, or the magnesium sulfate soundness loss shall not exceed 18%, after five cycles, when tested in accordance with ASTM C88. The aggregate shall have at least 60% by weight of particles with at least two fractured faces and 75% with at least one fractured face per ASTM D5821. The area of each face shall be equal to at least 75% of the smallest mid-sectional area of the piece. When two fractured faces are contiguous, the angle between the planes of fractures shall be at least 30 degrees to count as two fractured faces. The aggregate shall contain no more than 15%, by weight, of flat, elongated, or flat and elongated particles per ASTM D4791. A flat particle is one having a ratio of width to thickness greater than three (3); an elongated particle is one having a ratio of length to width greater than three (3).

The fine aggregate portion, defined as the portion passing the No. 4 sieve, produced in crushing operations shall be incorporated in the base material to the extent permitted by the gradation requirements.

a. Sampling and testing for initial aggregate base requirements. Samples shall be taken by the Contractor in the presence of the Engineer. Material shall meet the requirements in paragraph 208-2.1 and 208-2.2. This sampling and testing will be the basis for approval of the aggregate base quality requirements. []

The Engineer may require additional sampling points for quality requirements. The Engineer shall define when additional sampling points are needed in the above paragraph.

208-2.2 Gradation requirement. The gradation of the aggregate base material shall meet the requirements of the gradation given in the following table when tested per ASTM C117 and ASTM C136. The gradation shall be well graded from coarse to fine as defined by ASTM D2487 and shall not vary from the lower limit on one sieve to the high limit on an adjacent sieve or vice versa. The fraction of material passing the No. 200 (0.075 mm) sieve shall not exceed one-half the fraction passing the No. 40 (0.45 mm) sieve. The portion of the filler and binder, including any blended material, passing the No. 40 (0.45 mm) sieve shall have a liquid limit not more than 25 and a plasticity index not more than five (5) when tested per ASTM D4318.

[The material finer than 0.02 mm shall be limited to a maximum of 3% and the maximum allowable material passing the No. 200 sieve shall be reduced from 0-8% to 0-5%. Testing per ASTM D422 will be required for the percentage passing the 0.02 mm particle size once per lot.]

Requirements for Gradation of Aggregate Base

Sieve Size	Design Range Percentage by Weight	Contractor's Final Gradation	Job Control Grading Band Tolerances for Contractor's Final Gradation Percent
2 inch (50 mm)	*		0
1-1/2 inch (38 mm)	*		±5
1 inch (25 mm)	*		±8
3/4 inch (19 mm)	*		±8
No. 4 (4.75 mm)	*		±8
No. 40 (0.45 mm)	*		±5
No. 200 (0.075 mm)	*		±3

For areas subject to frost, the Engineer shall include the bracketed statement above.

The Engineer shall select the required gradation from the following table and replace the asterisks in the column titled "Design Range Percentage by Weight." Leave the column titled "Contractor's Final Gradation" blank. The Contractor's Final Gradation approved by the Engineer will be used to populate this column and

the “Job Control Grading Band Tolerances for Contractor’s Final Gradation” will apply to this column for the project duration.

Requirements for Gradation of Aggregate Base

Sieve Designation	Percentage by weight passing sieves		
	2" maximum	1-1/2" maximum	1" maximum
2 inch (50 mm)	100	--	--
1-1/2 inch (38 mm)	70-100	100	--
1 inch (25 mm)	55-85	70-100	100
3/4 inch (19 mm)	50-80	55-85	70-100
No. 4 (4.75 mm)	30-60	30-60	35-65
No. 40 (0.45 mm)	10-30	10-30	10-25
No. 200 (0.075 mm)	5-15	5-15	5-15

The “Job Control Grading Band Tolerances for Contractor’s Final Gradation” in the table shall be applied to “Contractor’s Final Gradation” to establish a job control grading band. The full tolerance still applies if application of the tolerances results in a job control grading band outside the design range.

a. Sampling and testing for gradation. The Contractor shall take at least [two] aggregate base samples per lot to check the final gradation. Sampling shall be per ASTM D75. The lot will be consistent with the lot size used for density. The samples shall be taken from the in-place, un-compacted material in the presence of the Engineer. Sampling points and intervals will be designated by the Engineer.

CONSTRUCTION METHODS

208-3.1 Operations in pits and quarries. All work involved in clearing and stripping pits and quarries, including handling of unsuitable material, shall be performed by the Contractor. All material shall be handled in a manner that shall secure a uniform and satisfactory base product. The base course material shall be obtained from sources that have been approved by the Engineer.

208-3.2 Preparing underlying subgrade and/or subbase. The underlying subgrade and/or subbase shall be checked and accepted by the Engineer before base course placing and spreading operations begin. Re-proof rolling of the subgrade or proof rolling of the subbase in accordance with P-152, at the Contractor’s expense, may be required by the Engineer if the Contractor fails to ensure proper drainage or protect the subgrade and/or subbase. Any ruts or soft, yielding areas due to improper drainage conditions, hauling, or any other cause, shall be corrected before the base course is placed. To ensure proper drainage, the spreading of the base shall begin along the centerline of the pavement on a crowned section or on the high side of the pavement with a one-way slope.

208-3.3 Production. The aggregate shall be uniformly blended and, when at a satisfactory moisture content per paragraph 208-3.5, the approved material may be transported directly to the spreading equipment.

208-3.4 Placing. The aggregate base material shall be placed and spread on the prepared underlying subgrade and/or subbase and compacted in layers to the thickness shown on the plans. Work shall

progress without interruption. The material shall be deposited and spread in lanes in a uniform layer without segregation to such loose depth that, when compacted, the layer shall have the specified thickness. The aggregate base course shall be constructed in layers of uniform thickness of not less than 3 inches (75 mm) nor more than 6 inches (150 mm) of compacted thickness. The aggregate as spread shall be of uniform grading with no pockets of fine or coarse materials. The aggregate, unless otherwise permitted by the Engineer, shall not be spread more than 2,000 square yards (1700 sq m) in advance of the rolling. Any necessary sprinkling shall be kept within these limits. Care shall be taken to prevent cutting into the underlying layer during spreading. No material shall be placed in snow or on a soft, muddy, or frozen course. The aggregate base material shall be spread by spreader boxes or other approved devices. This equipment shall have positive thickness controls that spread the aggregate in the required amount to avoid or minimize the need for hand manipulation. Dumping from vehicles that require re-handling shall not be permitted. Hauling over the uncompacted base course shall not be permitted.

When more than one layer is required, the construction procedure described here shall apply similarly to each layer.

208-3.5 Compaction. Immediately upon completion of the spreading operations, compact each layer of the base course, as specified, with approved compaction equipment. The number, type, and weight of rollers shall be sufficient to compact the material to the required density. The moisture content of the material during placing operations shall be within ± 2 percentage points of the optimum moisture content as determined by ASTM [____].

If nuclear density machines are to be used for density determination, the field density shall be determined in accordance with ASTM D6938 using Procedure A, the direct transmission method, and ASTM D6938 shall be used to determine the moisture content of the material. The machine shall be calibrated per ASTM D6938.

208-3.6 Acceptance sampling and testing for density. Aggregate base course shall be accepted for density on a lot basis. A lot will consist of one day's production if it does not exceed 2400 square yards (2000 sq m). A lot will consist of one-half day's production if a day's production is between 2400 and 4800 square yards (2000 and 4000 sq m). The [Engineer shall perform all density tests] [Contractor's laboratory shall perform all density tests in the Engineer's presence and provide the test results upon completion to the Engineer for acceptance].

Each lot shall be divided into two equal sublots. One test shall be made for each subplot and shall consist of the average of two random locations for density determination. Sampling locations will be determined by the Engineer on a random basis per ASTM D3665.

Each lot shall be accepted for density when the field density is at least 100% of the maximum density of laboratory specimens compacted and tested per ASTM [____]. The in-place field density shall be determined per [ASTM D1556. Test in accordance with ASTM D4718 if greater than 30% is retained on the 3/4" sieve.] [ASTM D2167] [ASTM D6938 using Procedure A, the direct transmission method, and ASTM D6938 shall be used to determine the moisture content of the material. The machine shall be calibrated in accordance with ASTM D6938.]. If the specified density is not attained, the entire lot shall be reworked and/or recompacted and two additional random tests made. This procedure shall be followed until the specified density is reached.

The Engineer may specify ASTM D698 for areas designated for aircraft with gross weights of less than 60,000 pounds (27200 kg). The Engineer shall specify ASTM D1557 for areas designated for aircraft with gross weights of 60,000 pounds (27200 kg) or greater.

208-3.7 Surface tolerances. After the course has been compacted, the surface shall be tested for smoothness and accuracy of grade and crown. Any portion lacking the required smoothness or failing in accuracy of grade or crown shall be scarified to a depth of at least 3 inches (75 mm), reshaped and recompact to grade until the required smoothness and accuracy are obtained and approved by the Engineer. Any deviation in surface tolerances shall be corrected by the Contractor at the Contractor’s expense. The smoothness and accuracy requirements specified here apply only to the top layer when base course is constructed in more than one layer.

a. Smoothness. The finished surface shall not vary more than 3/8 inch (9 mm) when tested with a 12-foot (3.7-m) straightedge applied parallel with and at right angles to the centerline. The straightedge shall be moved continuously forward at half the length of the 12-foot (3.7-m) straightedge for the full length of each line on a 50-foot (15-m) grid.

b. Accuracy. The grade and crown shall be measured on a 50-foot (15-m) grid and shall be within +0 and -1/2 inch (12 mm) of the specified grade.

208-3.8 Thickness control. The thickness of the base course shall be within +0 and -1/2 inch (12 mm) of the specified thickness as determined by depth tests taken by the Contractor in the presence of the Engineer. Tests shall be taken at intervals representing no more than 300 square yards (250 sq m) per test. Where the thickness is deficient by more than 1/2 inch (12 mm), the Contractor shall correct such areas at no additional cost by scarifying to a depth of at least 3 inches (75 mm), adding new material of proper gradation, and the material shall be blended and recompact to grade. The Contractor shall replace, at his expense, base material where depth tests have been taken.

The Engineer may modify the above thickness control paragraph to permit the thickness determination by survey. Survey shall be required before and after placement of the base. The survey interval should be specified based on the size of the project.

208-3.9 Protection. Perform construction when the atmospheric temperature is above 35°F (2°C). When the temperature falls below 35°F (2°C), protect all completed areas by approved methods against detrimental effects of freezing. Correct completed areas damaged by freezing, rainfall, or other weather conditions to meet specified requirements. When the aggregates contain frozen materials or when the underlying course is frozen or wet, the construction shall be stopped. Hauling equipment may be routed over completed portions of the base course, provided no damage results. Equipment shall be routed over the full width of the base course to avoid rutting or uneven compaction. The Engineer will stop all hauling over completed or partially completed base course when, in the Engineer’s opinion, such hauling is causing damage. Any damage to the base course shall be repaired by the Contractor at the Contractor’s expense.

208-3.10 Maintenance. The Contractor shall maintain the base course in a satisfactory condition until the full pavement section is completed and accepted by the Engineer. The surface shall be kept clean and

free from foreign material and properly drained at all times. Maintenance shall include immediate repairs to any defects and shall be repeated as often as necessary to keep the area intact. Any base course that is not paved over prior to the onset of winter shall be retested to verify that it still complies with the requirements of this specification. Any area of base course that is damaged shall be reworked or replaced as necessary to comply with this specification.

Equipment used in the construction of an adjoining section may be routed over completed base course, if no damage results and the equipment is routed over the full width of the base course to avoid rutting or uneven compaction.

THE CONTRACTOR SHALL REMOVE ALL SURVEY AND GRADE HUBS FROM THE BASE COURSES PRIOR TO PLACING ANY BITUMINOUS SURFACE COURSE.

METHOD OF MEASUREMENT

208-4.1 The quantity of aggregate base course shall be measured by the number of [square yards (square meters)] [cubic yards (cubic meters)] of material actually constructed and accepted by the Engineer as complying with the plans and specifications. Base materials shall not be included in any other excavation quantities.

BASIS OF PAYMENT

208-5.1 Payment shall be made at the contract unit price per [square yards (square meters)] [cubic yard (cubic meter)] for aggregate base course. This price shall be full compensation for furnishing all materials and for all operations, hauling, placing, and compacting of these materials, and for all labor, equipment, tools, and incidentals necessary to complete the item.

Payment will be made under:

Item P-208-5.1 Aggregate Base Course - per [square yards (square meters)]
[cubic yard (cubic meter)]

TESTING REQUIREMENTS

ASTM C29	Standard Test Method for Bulk Density (“Unit Weight”) and Voids in Aggregate
ASTM C88	Standard Test Method for Soundness of Aggregates by Use of Sodium Sulfate or Magnesium Sulfate
ASTM C117	Standard Test Method for Materials Finer than 75- μ m (No. 200) Sieve in Mineral Aggregates by Washing
ASTM C131	Standard Test Method for Resistance to Degradation of Small-Size Coarse Aggregate by Abrasion and Impact in the Los Angeles Machine
ASTM C136	Standard Test Method for Sieve or Screen Analysis of Fine and Coarse Aggregates
ASTM D75	Standard Practice for Sampling Aggregates
ASTM D422	Standard Test Method for Particle-Size Analysis of Soils

ASTM D698	Standard Test Methods for Laboratory Compaction Characteristics of Soil Using Standard Effort (12,400 ft-lbf/ft ³ (600 kN-m/m ³))
ASTM D1556	Standard Test Method for Density and Unit Weight of Soil in Place by the Sand-Cone Method
ASTM D1557	Standard Test Methods for Laboratory Compaction Characteristics of Soil Using Modified Effort (56,000 ft-lbf/ft ³ (2700 kN-m/m ³))
ASTM D2167	Standard Test Method for Density and Unit Weight of Soil in Place by the Rubber Balloon Method
ASTM D3665	Standard Practice for Random Sampling of Construction Materials
ASTM D4318	Standard Test Methods for Liquid Limit, Plastic Limit, and Plasticity Index of Soils
ASTM D4718	Standard Practice for Correction of Unit Weight and Water Content for Soils Containing Oversize Particles
ASTM D4791	Standard Test Method for Flat Particles, Elongated Particles, or Flat and Elongated Particles in Coarse Aggregate
ASTM D5821	Standard Test Method for Determining the Percentage of Fractured Particles in Coarse Aggregate
ASTM D6938	Standard Test Method for In-Place Density and Water Content of Soil and Soil-Aggregate by Nuclear Methods (Shallow Depth)

END OF ITEM P-208

Intentionally Left Blank

Item P-209 Crushed Aggregate Base Course

DESCRIPTION

209-1.1 This item consists of a base course composed of crushed aggregate base constructed on a prepared course in accordance with these specifications and in conformity to the dimensions and typical cross-sections shown on the plans.

MATERIALS

209-2.1 Crushed aggregate base. Crushed aggregate shall consist of clean, sound, durable particles of crushed stone, crushed gravel, [or crushed slag] and shall be free from coatings of clay, silt, organic material, or other objectionable materials. Aggregates shall contain no clay lumps or balls. Fine aggregate passing the No. 4 (4.75 mm) sieve shall consist of fines from the coarse aggregate crushing operation. If necessary, fine aggregate may be added to produce the correct gradation. The fine aggregate shall be produced by crushing stone, gravel, [or slag] that meet the coarse aggregate requirements for wear and soundness.

[The crushed slag shall be an air-cooled, blast furnace slag and shall have a unit weight of not less than 70 pounds per cubic foot (1120 kg/cubic meter) when tested per ASTM C29.]

The coarse aggregate portion, defined as the material retained on the No. 4 (4.75 mm) sieve, shall not have a loss of greater than 45% when tested per ASTM C131. The sodium sulfate soundness loss shall not exceed 12%, or the magnesium sulfate soundness loss shall not exceed 18%, after five cycles, when tested in accordance with ASTM C88. The aggregate shall contain no more than 15%, by weight, of flat, elongated, or flat and elongated particles per ASTM D4791. A flat particle is one having a ratio of width to thickness greater than 3; an elongated particle is one having a ratio of length to width greater than three (3). The aggregate shall have at least 90% by weight of particles with at least two fractured faces and 100% with at least one fractured face per ASTM D5821. The area of each face shall be equal to at least 75% of the smallest mid-sectional area of the piece. When two fractured faces are contiguous, the angle between the planes of fractures shall be at least 30 degrees to count as two fractured faces.

a. Sampling and testing for initial aggregate base requirements. Samples shall be taken by the Contractor in the presence of the Engineer. Material shall meet the requirements in paragraph 209-2.1 and 209-2.2. This sampling and testing will be the basis for approval of the aggregate base quality requirements. []

**The Engineer may require additional sampling points for quality requirements.
The Engineer shall define when additional sampling points are needed in the above paragraph.**

209-2.2 Gradation requirements. The gradation of the aggregate base material shall meet the requirements of the gradation given in the following table when tested per ASTM C117 and ASTM C136. The gradation shall be well graded from coarse to fine as defined by ASTM D2487 and shall not vary

from the lower limit on one sieve to the high limit on an adjacent sieve or vice versa. The fraction of material passing the No. 200 (0.075 mm) sieve shall not exceed one-half the fraction passing the No. 40 (0.45 mm) sieve.

[The material finer than 0.02 mm shall be limited to a maximum of 3% and the maximum allowable material passing the No. 200 sieve shall be reduced from 0-8% to 0-5%. Testing per ASTM D422 will be required for the percentage passing the 0.02 mm particle size once per lot.]

Requirements For Gradation Of Aggregate Base

Sieve Size	Design Range Percentage by Weight	Contractor's Final Gradation	Job Control Grading Band Tolerances for Contractor's Final Gradation Percent
2 inch (50 mm)	100		0
1-1/2 inch (38 mm)	95-100		±5
1 inch (25 mm)	70-95		±8
3/4 inch (19 mm)	55-85		±8
No. 4 (4.75 mm)	30-60		±8
No. 40 (0.45 mm)	10-30		±5
No. 200 (0.075 mm)	0-8		±3

[]

For areas subject to frost, the Engineer shall include the bracketed statement above.

Leave the column titled “Contractor’s Final Gradation” blank in the above table. The Contractor’s Final Gradation approved by the Engineer will be used to populate this column and the “Job Control Grading Band Tolerances for Contractor’s Final Gradation” will apply to this column for the project duration.

The “Job Control Grading Band Tolerances for Contractor’s Final Gradation” in the table shall be applied to “Contractor’s Final Gradation” to establish a job control grading band. The full tolerance still applies if application of the tolerances results in a job control grading band outside the design range.

a. Sampling and testing for gradation. Gradation tests shall be performed by the [Contractor] [Engineer] per ASTM C136 and sieve analysis on material passing the No. 200 sieve (75 mm) per ASTM C117. The [Contractor] [Engineer] shall take at least [two] aggregate base samples per lot to check the final gradation. Sampling shall be per ASTM D75. The lot will be consistent with the lot size used for density. The samples shall be taken from the in-place, un-compacted material in the presence of the Engineer. Sampling points and intervals will be designated by the Engineer.

CONSTRUCTION METHODS

209-3.1 Preparing underlying subgrade and/or subbase. The underlying subgrade and/or subbase shall be checked and accepted by the Engineer before base course placing and spreading operations begin. Re-

proof rolling of the subgrade or proof rolling of the subbase in accordance with P-152, at the Contractor's expense, may be required by the Engineer if the Contractor fails to ensure proper drainage or protect the subgrade and/or subbase. Any ruts or soft, yielding areas due to improper drainage conditions, hauling, or any other cause, shall be corrected before the base course is placed. To ensure proper drainage, the spreading of the base shall begin along the centerline of the pavement on a crowned section or on the high side of the pavement with a one-way slope.

209-3.2 Production. The aggregate shall be uniformly blended and, when at a satisfactory moisture content per paragraph 209-3.4, the approved material may be transported directly to the spreading equipment.

209-3.3 Placing. The aggregate base material shall be placed on the prepared underlying subgrade and/or subbase and compacted in layers to the thickness shown on the plans. Work shall progress without interruption. The material shall be deposited and spread in lanes in a uniform layer without segregation to such loose depth that, when compacted, the layer shall have the specified thickness. The aggregate base course shall be constructed in layers of uniform thickness of not less than 3 inches (75 mm) nor more than 6 inches (150 mm) of compacted thickness. The aggregate as spread shall be of uniform grading with no pockets of fine or coarse materials. The aggregate, unless otherwise permitted by the Engineer, shall not be spread more than 2,000 square yards (1700 sq m) in advance of the rolling. Any necessary sprinkling shall be kept within these limits. Care shall be taken to prevent cutting into the underlying layer during spreading. No material shall be placed in snow or on a soft, muddy, or frozen course. The aggregate base material shall be spread by spreader boxes or other approved devices. This equipment shall have positive thickness controls that spread the aggregate in the required amount to avoid or minimize the need for hand manipulation. Dumping from vehicles that require re-handling shall not be permitted. Hauling over the uncompacted base course shall not be permitted.

When more than one layer is required, the construction procedure described herein shall apply similarly to each layer.

209-3.4 Compaction. Immediately after completion of the spreading operations, compact each layer of the base course, as specified, with approved compaction equipment. The number, type, and weight of rollers shall be sufficient to compact the material to the required density within the same day that the aggregate is placed on the subgrade. The moisture content of the material during placing operations shall be within ±2 percentage points of the optimum moisture content as determined by ASTM [____].

If nuclear density machines are used for density determination, the field density shall be determined in accordance with ASTM D6938 using Procedure A, the direct transmission method and ASTM D6938 shall be used to determine the moisture content of the material. The machine shall be calibrated per ASTM D6938.

209-3.5 Acceptance sampling and testing for density. Aggregate base course shall be accepted for density on a lot basis. A lot will consist of one day's production if it does not exceed 2,400 square yards (2000 sq m). A lot will consist of one-half day's production if a day's production consists of between 2,400 and 4,800 square yards (2000 and 4000 sq m). The [Engineer shall perform all density tests] [Contractor's laboratory shall perform all density tests in the Engineer's presence and provide the test results upon completion daily to the Engineer for acceptance].

Each lot shall be divided into two equal sublots. One test shall be made for each subplot and shall consist of the average of two random locations for density determination. Sampling locations will be determined by the Engineer on a random basis per ASTM D3665.

Each lot will be accepted for density when the field density is at least 100% of the maximum density of laboratory specimens. The specimens shall be compacted and tested per ASTM [____]. The in-place field density shall be determined per [ASTM D1556. Test in accordance with ASTM D4718 if greater than 30% is retained on the 3/4 inch sieve.][ASTM D2167] [ASTM D6938 using Procedure A, the direct transmission method, and ASTM D6938 shall be used to determine the moisture content of the material. The machine shall be calibrated in accordance with ASTM D6938.] If the specified density is not attained, the entire lot shall be reworked and/or recompacted and two additional random tests made at the Contractor's expense. This procedure shall be followed until the specified density is reached.

The Engineer should specify ASTM D698 for areas designated for aircraft with gross weights of less than 60,000 pounds (27200 kg). The Engineer shall specify ASTM D1557 for areas designated for aircraft with gross weights 60,000 pounds (27200 kg) or greater.

209-3.6 Surface tolerances. After the course has been compacted, the surface shall be tested for smoothness and accuracy of grade and crown. Any portion lacking the required smoothness or failing in accuracy of grade or crown shall be scarified to a depth of at least 3 inches (75 mm), reshaped and recompacted to grade, until the required smoothness and accuracy are obtained and approved by the Engineer. Any deviation in surface tolerances shall be corrected by the Contractor at the Contractor's expense. The smoothness and accuracy requirements specified here apply only to the top layer when base course is constructed in more than one layer.

a. Smoothness. The finished surface shall not vary more than 3/8 inch (9 mm) when tested with a 12-foot (3.7-m) straightedge applied parallel with and at right angles to the centerline. The straightedge shall be moved continuously at half the length of the 12-foot (3.7-m) straightedge for the full length of each line on a 50-foot (15-m) grid.

b. Accuracy. The grade and crown shall be measured on a 50-foot (15-m) grid and shall be within +0 and -1/2 inch (12 mm) of the specified grade.

209-3.7 Thickness control. The thickness of the base course shall be within +0 and -1/2 inch (12 mm) of the specified thickness as determined by depth tests taken by the Contractor in the presence of the Engineer. Tests shall be taken at intervals representing no more than 300 square yards (250 sq m) per test. Sampling locations will be determined by the Engineer per ASTM D3665. Where the thickness is deficient by more than 1/2 inch (12 mm), the Contractor shall correct such areas at no additional cost by scarifying to a depth of at least 3 inches (75 mm), adding new material of proper gradation, and the material shall be blended and recompacted to grade. Additional test holes may be required to identify the limits of deficient areas. The Contractor shall replace, at his expense, base material where depth tests have been taken.

The Engineer may modify the above thickness control paragraph to permit the thickness determination by survey. Survey shall be required before and after placement of the base. The survey interval should be specified based on the size of the project.

209-3.8 Protection. Perform construction when the atmospheric temperature is above 35°F (2°C). When the temperature falls below 35°F (2°C), protect all completed areas by approved methods against detrimental effects of freezing. Correct completed areas damaged by freezing, rainfall, or other weather conditions to meet specified requirements. When the aggregates contain frozen materials or when the underlying course is frozen or wet, the construction shall be stopped. Hauling equipment may be routed over completed portions of the base course, provided no damage results. Equipment shall be routed over the full width of the base course to avoid rutting or uneven compaction. The Engineer will stop all hauling over completed or partially completed base course when, in the Engineer’s opinion, such hauling is causing damage. Any damage to the base course shall be repaired by the Contractor at the Contractor’s expense.

209-3.9 Maintenance. The Contractor shall maintain the base course in a satisfactory condition until the full pavement section is completed and accepted by the Engineer. The surface shall be kept clean and free from foreign material and properly drained at all times. Maintenance shall include immediate repairs to any defects and shall be repeated as often as necessary to keep the area intact. Any base course that is not paved over prior to the onset of winter shall be retested to verify that it still complies with the requirements of this specification. Any area of base course that is damaged shall be reworked or replaced as necessary to comply with this specification.

Equipment used in the construction of an adjoining section may be routed over completed base course, if no damage results and the equipment is routed over the full width of the base course to avoid rutting or uneven compaction.

The Contractor shall remove all survey and grade hubs from the base courses prior to placing any bituminous surface course.

METHOD OF MEASUREMENT

209-4.1 The quantity of crushed aggregate base course will be determined by measurement of the number of [square yards (square meters)][cubic yards (cubic meters)] of material actually constructed and accepted by the Engineer as complying with the plans and specifications. Base materials shall not be included in any other excavation quantities.

BASIS OF PAYMENT

209-5.1 Payment shall be made at the contract unit price per [square yard (square meter)] [cubic yard (cubic meter)] for crushed aggregate base course. This price shall be full compensation for furnishing all materials, for preparing and placing these materials, and for all labor, equipment tools, and incidentals necessary to complete the item.

Payment will be made under:

- Item P-209-5.1 Crushed Aggregate Base Course - per [square yard (square meter)] [cubic yard (cubic meter)]

TESTING REQUIREMENTS

ASTM C29	Standard Test Method for Bulk Density (“Unit Weight”) and Voids in Aggregate
ASTM C88	Standard Test Method for Soundness of Aggregates by Use of Sodium Sulfate or Magnesium Sulfate
ASTM C117	Standard Test Method for Materials Finer than 75- μm (No. 200) Sieve in Mineral Aggregates by Washing
ASTM C131	Standard Test Method for Resistance to Degradation of Small-Size Coarse Aggregate by Abrasion and Impact in the Los Angeles Machine
ASTM C136	Standard Test Method for Sieve or Screen Analysis of Fine and Coarse Aggregates
ASTM D75	Standard Practice for Sampling Aggregates
ASTM D422	Standard Test Method for Particle-Size Analysis of Soils
ASTM D698	Standard Test Methods for Laboratory Compaction Characteristics of Soil Using Standard Effort (12,400 ft-lbf/ft ³ (600 kN-m/m ³))
ASTM D1556	Standard Test Method for Density and Unit Weight of Soil in Place by the Sand-Cone Method
ASTM D1557	Standard Test Methods for Laboratory Compaction Characteristics of Soil Using Modified Effort (56,000 ft-lbf/ft ³ (2700 kN-m/m ³))
ASTM D2167	Standard Test Method for Density and Unit Weight of Soil in Place by the Rubber Balloon Method
ASTM D2419	Standard Test Method for Sand Equivalent Value of Soils and Fine Aggregate
ASTM D3665	Standard Practice for Random Sampling of Construction Materials
ASTM D4718	Standard Practice for Correction of Unit Weight and Water Content for Soils Containing Oversize Particles
ASTM D4791	Standard Test Method for Flat Particles, Elongated Particles, or Flat and Elongated Particles in Coarse Aggregate
ASTM D5821	Standard Test Method for Determining the Percentage of Fractured Particles in Coarse Aggregate
ASTM D6938	Standard Test Method for In-Place Density and Water Content of Soil and Soil-Aggregate by Nuclear Methods (Shallow Depth)

END OF ITEM P-209

Item P-210 Caliche Base Course

DESCRIPTION

210-1.1 This item shall consist of a base course composed of caliche, caliche-gravel, caliche limestone, or material of similar characteristics, constructed on the prepared underlying course per these specifications and in conformity to the dimensions and typical cross-section shown on the plans.

MATERIALS

210-2.1 Materials. The base course material shall consist of caliche, caliche-gravel, caliche limestone, or similar materials obtained from sources approved by the Engineer. All acceptable material shall be screened. The oversize material shall be crushed and returned to the screened material in proportions that will produce a uniform product.

The gradation of the material, as processed and blended, shall meet the following requirements when tested per ASTM C136.

Sieve Designation (Square Openings)	Percentage by Weight Passing Sieves
2 inch (50 mm)	100
No. 40 (0.425 mm)	15-35
No. 200 (0.075 mm)	0-15

Soil binder shall be that portion of the material, including the blended filler, passing a No. 40 (0.425 mm) mesh sieve. The soil binder shall have a liquid limit of not more than 35 and a plasticity index of not more than 10 per ASTM D4318.

If necessary, the Contractor shall blend or combine materials so that the final processed material meets all requirements of these specifications. The Contractor shall make modifications in materials and methods necessary to produce a material that can be compacted into a dense, well-bonded base.

210-2.2 Filler for blending. If filler, in addition to that naturally present in the base course material, is necessary for satisfactory bonding of the material, for changing the soil constants of the material passing the No. 40 mesh sieve, or for correcting the gradation, it shall be uniformly blended with the base course material on the runway, at the crushing plant, or at the mixing plant. The material shall be obtained from sources approved by the Engineer.

CONSTRUCTION METHODS

210-3.1 Operation in pits. All work involved in clearing and stripping pits, including the handling of unsuitable material, shall be performed by the Contractor at his or her own expense. The pits shall be operated in such a manner that a clean and uniform material will be secured. The base course material shall be obtained from sources approved by the Engineer.

210-3.2 Equipment. All equipment necessary for the proper construction of the work shall be approved by the Engineer. The equipment shall be on the project and in good working condition, before construction is permitted to start.

210-3.3 Preparing underlying course. The underlying course shall be checked and accepted by the Engineer before placing and spreading operations begin. Any ruts or soft, yielding places caused by improper drainage conditions, hauling, or any other cause, shall be corrected before the base course is placed. To protect the underlying course and to ensure proper drainage, the spreading of the base shall begin along the centerline of the pavement on a crowned section or on the high side of the pavement with a one-way slope.

210-3.4 Placing and spreading. The aggregate base material shall be placed on the prepared underlying course and compacted in layers to the thickness shown on the plans. The material shall be placed and spread where designated by the Engineer and shall progress without interruption. The material shall be placed and spread in lanes in a uniform layer without segregation. The material shall be placed and spread to a loose depth that, when compacted, the layer shall have the required thickness. The base aggregate shall be spread by spreader boxes or other approved devices. Dumping from vehicles in piles requiring rehandling shall not be permitted. Hauling over the uncompacted base course shall not be permitted. The base material shall be spread and shaped the same day as placed.

[**a. Travel plant.** When the use of a travel plant is approved by the Engineer, the plant shall be sufficient to blend and mix the materials to provide a base mixture that meets specified gradation, quality, and thickness. The base material shall be placed on the underlying course in windrows parallel to the pavement centerline. Sufficient quantity and proportions of materials shall be placed in the windrow to provide a base aggregate mixture which will, when spread, meet the specified grading and compacted thickness. The windrow shall be shaped to a uniform section and left undisturbed until measuring and sampling are complete. After mixing and before spreading, the Engineer shall determine whether the mixing is complete and satisfactory and whether the proper moisture content is maintained for spreading. No spreading shall be done, until authorized by the Engineer. The base material shall be at a moisture content to obtain maximum density.

After mixing is complete, the base material shall be spread to the required depth and width by a self-powered blade grader, mechanical spreader, or other method approved by the Engineer. Care shall be taken during spreading of the material to prevent cutting into the underlying layer. The material shall be bladed, disked, and dragged if necessary until a smooth, uniform surface is obtained true to line, grade, and cross-section.]

[**b. Mixed in-place.** If the base materials are to be proportioned and mixed or blended in-place, the different layers shall be spread and placed on the underlying course with the relative proportions of the components of the mixture designated by the Engineer. The base aggregate shall be deposited and spread evenly to a uniform thickness and width. The binder or filler shall be deposited and spread evenly over the first layer in as many layers of materials as necessary to obtain the required base material gradation.

Thoroughly mix and blend the material using approved graders, discs, harrows, rotary-tillers, or other equipment approved by the Engineer,

if necessary. The mixing shall continue until the mixture is uniform. Areas of segregated material shall be corrected by the addition of binder or filler material. Water shall be uniformly applied, prior to and during the mixing operations if necessary, to maintain the material at the proper moisture content. When the mixing and blending have been completed, the material shall be spread in a uniform layer which, when compacted, will meet the requirements for thickness and typical cross-section. Hauling over material that has not been mixed and compacted shall not be permitted, unless necessary for the placing of successive layers of materials. Layers of base material which become partially compacted due to hauling shall be scarified and disked before placing binder material or before blading and shaping for rolling.]

The Engineer shall select the appropriate method of mixing and delete the other paragraphs.

The base course shall be constructed in layers not less than 3 inches (75 mm) nor more than 6 inches (150 mm) of compacted thickness. The aggregate, as spread, shall be of uniform grading with no pockets of fine or coarse materials. Unless permitted by the Engineer, the aggregate shall not be spread more than 2,000 square yard (1700 sq m) in advance of the rolling. Any necessary sprinkling shall be kept within these limits. No material shall be placed in snow or on a soft, muddy, or frozen course.

When more than one layer is required, the construction procedure described here shall apply to each layer.

During the placing and spreading, caution shall be exercised to prevent the incorporation of subgrade, subbase, or shoulder material in the base course mixture.

210-3.5 Compaction. Immediately after completion of the spreading operations, compact each layer of the base course, as specified with approved compaction equipment. The number, type, and weight of rollers shall be sufficient to compact the mixture to the required density.

210-3.6 Acceptance sampling and testing for density. Aggregate base course shall be accepted for density on a lot basis. A lot will consist of one day's production if it does not exceed 2,400 square yards (2000 sq m). A lot will consist of one-half day's production if a day's production consists of between 2,400 and 4,800 square yards (2000 and 4000 sq m). The [Engineer shall perform all density tests] [Contractor's laboratory shall perform all density tests in the Engineer's presence and provide the test results upon completion daily to the Engineer for acceptance].

Each lot shall be divided into two equal sublots. One test shall be made for each subplot and shall consist of the average of two random locations for density determination. Sampling locations will be determined by the Engineer on a random basis per ASTM D3665.

Each lot will be accepted for density when the field density of the compacted material is at least 100% of the maximum density of laboratory specimens. The laboratory specimens shall be compacted and tested per [___]. The in-place field density shall be determined per [ASTM D1556] [ASTM D2167] [ASTM D6938]. The moisture content of the material at the start of compaction shall be within $\pm 1\frac{1}{2}$ percentage points of the optimum moisture content.

The Engineer shall specify ASTM D698 for areas designated for aircraft with gross weights of 60,000 pounds (27200 kg) or less and ASTM D1557 for areas designated for aircraft with gross weights greater than 60,000 pounds (27200 kg).

If nuclear density machines are to be used for density determination, the field density shall be determined in accordance with ASTM D6938 using Procedure A, the direct transmission method, and ASTM D6938 shall be used to determine the moisture content of the material. The machine shall be calibrated per ASTM D6938. Two random readings shall be made and averaged for each subplot for density determination.

The base course shall not be rolled when the underlying course is soft or yielding or when the rolling causes undulation in the base course. When the rolling develops irregularities that exceed 3/8 inch (9 mm) when tested with a 12-foot (3.7-m) straightedge, the irregular surface shall be scarified, new material added, and the layer blended and recompact to bring it to grade.

210-3.7 Finishing. The surface of the base course shall be finished by blading or other approved equipment designed for this purpose.

Adding thin layers of material to the top layer of base course to meet grade shall not be allowed. If the elevation of the top layer is 1/2 inch (12 mm) or more below grade, the top layer of base shall be scarified to a depth of at least 3 inches (75 mm), new material added, and the layer blended and recompact to bring it to grade. If the finished surface is above plan grade, it shall be cut to grade and rerolled.

210-3.8 Surface tolerance. After the course has been compacted, the surface shall be tested for smoothness and accuracy of grade and crown. Any portion lacking the required smoothness or failing in accuracy of grade or crown shall be scarified to a depth of at least 3 inches (75 mm), reshaped and recompact to grade. until the required smoothness and accuracy are obtained and approved by the Engineer. Any deviation in surface tolerances shall be corrected by the Contractor at the Contractor's expense. The smoothness and accuracy requirements specified here apply only to the top layer when base course is constructed in more than one layer.

a. Smoothness. The finished surface shall not vary more than 3/8 inch (9 mm) when tested with a 12-foot (3.7-m) straightedge applied parallel with and at right angles to the centerline. The straightedge shall be moved continuously at half the length of the 12-foot (3.7-m) straightedge for the full length of each line on a 50-foot (15-m) grid.

b. Accuracy. The grade and crown shall be measured on a 50-foot (15-m) grid and shall be within +0 and -1/2 inch (12 mm) of the specified grade.

210-3.9 Thickness control. The thickness of the base course shall be determined by the Contractor in the presence of the Engineer by depth tests or cores taken at intervals so each test shall represent no more than 300 square yards (250 sq m). Where the thickness is more than 1/2 inch (12 mm) deficient, the Contractor shall correct the areas at no additional cost by excavating to the required depth and replacing with new material. Additional test holes may be required to identify the limits of deficient areas. The Contractor shall replace the base material where depth tests or cores have been taken for test purposes.

The Engineer may modify the above thickness control paragraph to permit the thickness determination by a survey before and after placement of the base. The survey interval should be specified based on the size of the project. Delete reference to depth tests or cores if surveys are specified.

210-3.10 Protection. Work on the base course shall not be accomplished during freezing temperatures or when the subgrade is wet. Construction shall be stopped when the aggregates contain frozen materials or when the underlying course is frozen.

Hauling equipment may be routed over completed portions of the base course provided there is no damage to the base course. The equipment shall be routed over the full width of the base course to avoid rutting or uneven compaction. The Engineer shall have full authority to stop all hauling over completed or partially completed base course when, in the Engineer’s opinion, such hauling is causing damage. Any damage resulting to the base course from routing equipment over the base course shall be repaired by the Contractor at his or her expense.

210-3.11 Maintenance. The Contractor shall maintain the base course until the work is accepted by the Engineer. Maintenance shall include drainage, rolling, shaping, and watering, as necessary, to maintain the course in proper condition. The Contractor shall correct deficiencies in thickness, composition, construction, smoothness, and density, which develop during the maintenance, to meet the requirements specified here. The Contractor shall remove all survey and grade hubs from the base courses prior to placing any bituminous surface course.

After priming, the surface shall be kept clean and free from foreign material. The base course shall be properly drained at all times. If cleaning is necessary, or if the prime coat becomes disturbed, any work or restitution necessary shall be performed at the Contractor’s expense.

METHOD OF MEASUREMENT

210-4.1 The quantity of caliche base course shall be the number of [square yards (square meters)] [cubic yards (cubic meters)] of base course material placed, bonded, and accepted in the completed base course. The quantity of base course material shall be measured in final position, based upon depth tests or cores taken by the Contractor as directed by the Engineer, at the rate of one (1) depth test for each 300 square yards (250 sq m) of base course [, or by means of average end areas on the complete work computed from elevations to the nearest 0.01 foot (3 mm)]. On individual depth measurements, thickness more than 1/2 inch (12 mm) in excess of that shown on the plans shall be considered as specified thickness, plus 1/2 inch (12 mm) in computing the yardage for payment. Base material shall not be included in any other excavation quantities.

The Engineer may modify the above measurement paragraph to permit the thickness acceptance determination by a survey before and after placement of the base. The survey interval should be specified based on the size of the project. Delete this sentence if surveys are not allowed.

BASIS OF PAYMENT

210-5.1 Payment shall be made at the contract unit price per [square yards (square meters)] [cubic yard (cubic meter)] for caliche base course. This price shall be full compensation for furnishing all materials and for all preparation, hauling, and placing of these materials, and for all labor, equipment, tools, and incidentals necessary to complete the item.

Payment will be made under:

Item P-210-5.1 Caliche Base Course - per [square yards (square meters)]
 [cubic yard (cubic meter)]

TESTING REQUIREMENTS

ASTM C136	Standard Test Method for Sieve or Screen Analysis of Fine and Coarse Aggregates
ASTM D698	Standard Test Methods for Laboratory Compaction Characteristics of Soil Using Standard Effort (12,400 ft-lbf/ft ³ (600 kN-m/m ³))
ASTM D1557	Standard Test Methods for Laboratory Compaction Characteristics of Soil Using Modified Effort (56,000 ft-lbf/ft ³ (2700 kN-m/m ³))
ASTM D2167	Standard Test Method for Density and Unit Weight of Soil in Place by the Rubber Balloon Method
ASTM D3665	Standard Practice for Random Sampling of Construction Materials
ASTM D4318	Standard Test Methods for Liquid Limit, Plastic Limit, and Plasticity Index of Soils
ASTM D6938	Standard Test Method for In-Place Density and Water Content of Soil and Soil-Aggregate by Nuclear Methods (Shallow Depth)

END OF ITEM P-210

Item P-211 Lime Rock Base Course

DESCRIPTION

211-1.1 This item shall consist of a base course composed of lime rock constructed on the prepared underlying course per these specifications and shall conform to the dimensions and typical cross-section shown on the plans.

MATERIALS

211-2.1 Materials. The lime rock base course material shall consist of fossiliferous limestone of uniform quality. The material shall not contain hard or flinty pieces that will cause a rough surface containing pits and pockets. The rock shall show no tendency to “air slake” or undergo chemical change when exposed to the weather. The material when watered and rolled shall be capable of compacting to a dense and well-bonded base.

The oolitic type of lime rock shall meet the following requirements:

- Carbonates of calcium and magnesium - not less than 70%.
- Oxides of iron and aluminum - not more than 2%.

The combined amount of carbonates, oxides, and silica shall be at least 97%. The material shall be non-plastic.

All other types of lime rock shall contain not less than 95% of carbonates of calcium and magnesium. Liquid limit shall not exceed 35 and plasticity index shall not exceed six (6) per ASTM D4318.

The chemical analysis of lime rock shall consist of determining the insoluble silica, iron oxide, and alumina by solution of the sample in hydrochloric (HCl) acid, evaporating, dehydrating, re-dissolving the residue, and neutralizing with ammonium hydroxide, filtering, washing, and igniting the residue lime rock. The difference between the percentage of insoluble matter and 100% is reported as carbonates of calcium and magnesium.

The lime rock shall not contain more than 0.5% of organic, or foreign matter. It shall be obtained from pits where all overburden has been removed prior to blasting and quarrying.

The gradation of the lime rock shall meet the following requirements:

Sieve Designation (square openings)	Percentage by Weight Passing Sieves
3-1/2 inch (90 mm)	100
3/4 inch (19 mm)	50-100

All fine material shall consist entirely of dust of fracture (fine portion passing the No. 10 (2 mm) sieve).

CONSTRUCTION METHODS

211-3.1 Sources of supply. All work involved in clearing and stripping pits, including the handling of unsuitable material shall be performed by the Contractor at the Contractor's expense. The lime rock shall be obtained from sources approved by the Engineer. The pits shall be operated to produce a clean and uniform material.

211-3.2 Equipment. All equipment necessary for construction of this work shall be on the project and in good working condition, before construction is permitted to start. The Engineer shall approve all equipment.

211-3.3 Preparing underlying course. The Engineer shall check and accept the underlying course before placing and spreading operations are started. Any ruts or soft yielding places caused by improper drainage conditions, hauling, or any other cause shall be corrected at the Contractor's expense before the base course is placed. Material shall not be placed on frozen subgrade.

211-3.4 Placing and spreading. All base course material shall be placed on the prepared underlying course and compacted in layers to the thickness shown on the plans. The material shall be placed and spread on the prepared course or on a completed layer where designated by the Engineer and shall progress without interruption. The base aggregate shall be spread by spreader boxes or other approved devices. The material shall be placed and spread in lanes in a uniform layer without segregation of size. The material shall be placed and spread to a loose depth that, when compacted, the layer shall have the required thickness. When more than one layer is required, the construction procedure described here shall apply to each layer, except only the top layer shall require scarifying and rerolling of the surface.

The rock shall be transported over rock previously placed at the end of the preceding spread to locations where it will be used. It shall be spread uniformly with shovels, forks, or approved mechanical spreaders constructed for this purpose. Rock shall not be dumped directly onto the underlying course. Transporting over the underlying course will not be permitted unless directed by the Engineer, and the underlying course will be protected by planking if rutting occurs. During the placing and spreading operations, the rock shall be brought to the proper moisture content to obtain maximum density. If water is added, it shall be uniformly mixed to the full depth of the course by discing. All segregated areas of fine or coarse rock shall be removed and replaced with well-graded rock approved by the Engineer. Lime rock shall not be spread when the subgrade is in an unsuitable condition.

The lime rock base course shall be constructed in a layer not less than 4 inches (100 mm) nor more than 6 inches (150 mm) of compacted thickness. The base course shall be constructed in lanes or strips parallel with the centerline of the paved area.

During the placing operation, caution shall be exercised to prevent the incorporation of subgrade, subbase, or shoulder material in the lime rock.

211-3.5 Compaction. Immediately after completion of the spreading operations, the base material shall be thoroughly compacted. The number, type, and weight of rollers shall be sufficient to compact the mixture to the required density.

The field density of the compacted material shall be at least 100% of the maximum density of laboratory specimens prepared from samples of the base material. The laboratory specimens shall be compacted and tested per [____]. The in-place field density shall be determined per ASTM D1556. The moisture content of the material at the start of compaction shall be within $\pm 1-1/2$ percentage points of the optimum moisture content.

The Engineer shall specify ASTM D698 for areas designated for aircraft with gross weights of 60,000 pounds (27200 kg) or less and ASTM D1557 for areas designated for aircraft with gross weights greater than 60,000 pounds (27200 kg).

211-3.6 Acceptance sampling and testing for density. Aggregate base course shall be accepted for density on a lot basis. A lot will consist of one day’s production if it does not exceed 2400 square yards (2000 sq m). A lot will consist of one-half day’s production if a day’s production is between 2400 and 4800 square yards (2000 and 4000 sq m). The [Engineer shall perform all density tests][Contractor’s laboratory shall perform all density tests in the Engineer’s presence and provide the test results upon completion to the Engineer for acceptance].

Each lot shall be divided into two equal sublots. One test shall be made for each subplot and shall consist of the average of two random locations for density determination. Sampling locations will be determined by the Engineer on a random basis per ASTM D3665.

Each lot shall be accepted for density when the field density is at least 100% of the maximum density of laboratory specimens compacted and tested per ASTM [____]. The in-place field density shall be determined per [ASTM D1556. Test in accordance with ASTM D4718 if greater than 30% is retained on the 3/4-inch sieve.][ASTM D2167][ASTM D6938]. If the specified density is not attained, the entire lot shall be reworked and/or recompacted and two additional random tests made. This procedure shall be followed until the specified density is reached.

The Engineer shall specify ASTM D698 for areas designated for aircraft with gross weights of 60,000 pounds (27200 kg) or less and ASTM D1557 for areas designated for aircraft with gross weights greater than 60,000 pounds (27200 kg).

211-3.7 Finishing. After the watering and rolling of the base course, the entire surface shall be scarified to a depth of at least 3 inches (75 mm) and shaped to the exact crown and cross-section with a blade grader. The scarified material shall be rewetted and thoroughly rolled. Rolling shall continue until the base is bonded and compacted to a dense, unyielding mass, true to grade and cross-section. Scarifying and rolling of the surface of the base shall follow the initial rolling of the lime rock by not more than four (4) days. When the lime rock base is constructed in two layers, the scarifying of the surface shall be to a depth of 2 inches (50 mm).

If the condition of the base meets all requirements, but the surface of the base is glazed or cemented to the extent that the prime coat could not penetrate properly, the surface of the base shall be hard-planed with a blade grader and broomed immediately prior to the application of the prime coat. This hard-planing shall only remove the glazed or cemented surface, leaving a granular or porous condition that will allow free penetration of the prime material. The material planed from the base shall be removed from the base area.

If the underlying material becomes churned up and mixed with the base course material, the Contractor shall, without additional compensation, dig out and remove the mixture, reshape and compact the underlying course, and replace the materials removed with clean rock which shall be watered and rolled until satisfactorily compacted.

Where cracks, checks, or failures appear in the base, either before or after priming and before the surface course is laid, the Contractor shall remove such cracks, checks, or failures by rescarifying, reshaping, watering, rolling, and adding lime rock where necessary.

211-3.8 Surface tolerance. After the course has been compacted, the surface shall be tested for smoothness and accuracy of grade and crown. Any portion lacking the required smoothness or failing in accuracy of grade or crown shall be scarified to a depth of at least 3 inches (75 mm), reshaped and recompact to grade. until the required smoothness and accuracy are obtained and approved by the Engineer. Any deviation in surface tolerances shall be corrected by the Contractor at the Contractor’s expense. The smoothness and accuracy requirements specified here apply only to the top layer when base course is constructed in more than one layer.

a. Smoothness. The finished surface shall not vary more than 3/8 inch (9 mm) when tested with a 12-foot (3.7-m) straightedge applied parallel with and at right angles to the centerline. The straightedge shall be moved continuously at half the length of the 12-foot (3.7-m) straightedge for the full length of each line on a 50-foot (15-m) grid.

b. Accuracy. The grade and crown shall be measured on a 50-foot (15-m) grid and shall be within +0 and -1/2 inch (12 mm) of the specified grade.

211-3.9 Thickness control. The thickness of the base course shall be determined by [depth tests] [elevations] taken by the Contractor in the presence of the Engineer at intervals so each test shall represent 300 square yards (250 sq m), or as directed by the Engineer. The depth tests shall be made by test holes at least 3 inches (75 mm) in diameter that extend through the base. Where the base deficiency is more than 1/2 inch (12 mm), the Contractor shall correct such areas by scarifying and adding rock. The base shall be scarified, rock added, and tapered a distance of 100 feet (30 m) in each direction from the edge of the deficient area where rock is added. The affected area shall then be watered, bladed, rolled, and brought to the required compaction, thickness, and cross-section. Scarifying, adding rock, and rerolling shall continue until the base thickness is within the 1/2 inch (12 mm) tolerance of base thickness. The final base thickness of the reconditioned area shall be used to determine the average job thickness.

The average job thickness shall be the average of the depth measurement as above outlined and shall be within 1/4 inch (6 mm) of the thickness shown on the typical cross-section. On individual depth measurements, thicknesses more than 1/2 inch (12 mm) in excess of that shown on the plans shall be considered as specified thickness plus 1/2 inch (12 mm) in computing the average job thickness. The Contractor shall replace, at his/her expense, the lime rock removed from test holes.

The Engineer may modify the above thickness paragraph to permit the thickness determination by a survey before and after placement of the base. The survey interval should be specified based on the size of the project. Delete reference to depth tests or cores if surveys are specified.

211-3.10 Protection. Work on the base course shall not be accomplished during freezing temperatures nor when the subgrade is wet. Construction shall be stopped when the aggregate contains frozen materials or the underlying course is frozen.

Hauling equipment may be routed over completed portions of the base course, provided there is no damage to the base course. The equipment shall be routed over the full width of the base course to avoid rutting or uneven compaction. The Engineer shall have full authority to stop all hauling over completed or partially completed base course when, in the Engineer’s opinion, such hauling is causing damage. Any

damage to the base course from routing equipment over the base course shall be repaired by the Contractor at his or her expense.

211-3.11 Maintenance. The Contractor shall maintain the base course until the work is accepted by the Engineer. Maintenance includes drainage, rolling, shaping, and watering, as necessary, to maintain the course in proper condition. The Contractor shall correct deficiencies in thickness, composition, construction, smoothness, and density, which develop during maintenance, to meet the requirements specified here. After priming, the surface shall be kept clean and free from foreign material. The base course shall be properly drained at all times. If cleaning is necessary, or if the prime coat becomes disturbed, any work or restitution necessary shall be performed at the expense of the Contractor.

METHOD OF MEASUREMENT

211-4.1 The quantity of lime rock base course shall be the number of [square yards (square meters)][cubic yards (cubic meters)] of base material placed, bonded, and accepted in the completed base course. The quantity of base course material shall be measured in final position [, based upon depth tests taken as directed by the Engineer, at the rate of one (1) depth test for each 300 square yards (250 sq m) of base course][, by means of average end areas on the complete work computed from elevations to the nearest 0.01 foot (3 mm)]. On individual depth measurements, thicknesses more than 1/2 inch (12 mm) in excess of that shown on the plans shall be considered as the specified thickness plus 1/2 inch (12 mm) in computing the yardage for payment.

The Engineer shall select the method of measurement.

BASIS OF PAYMENT

211-5.1 Payment shall be made at the contract unit price per [square yards (square meters)][cubic yard (cubic meter)] for lime rock base course. This price shall be full compensation for furnishing all materials and for all preparation, hauling, and placing of these materials, and for all labor, equipment, tools, and incidentals necessary to complete the item.

The cost of removing cracks and checks including the labor and material for repriming, and the additional lime rock necessary for crack elimination, will not be paid for separately but shall be included in the contract price per [square yard (square meter)][cubic yard (cubic meter)] for lime rock base course.

Payment will be made under:

Item P-211-5.1 Lime rock base course per [square yard (square meter)]
[cubic yard (cubic meter)]

TESTING REQUIREMENTS

ASTM C136 Standard Test Method for Sieve or Screen Analysis of Fine and Coarse Aggregates

ASTM D698	Standard Test Methods for Laboratory Compaction Characteristics of Soil Using Standard Effort (12,400 ft-lbf/ft ³ (600 kN-m/m ³))
ASTM D1556	Standard Test Method for Density and Unit Weight of Soil in Place by the Sand-Cone Method
ASTM D1557	Standard Test Methods for Laboratory Compaction Characteristics of Soil Using Modified Effort (56,000 ft-lbf/ft ³ (2700 kN-m/m ³))
ASTM D4318	Standard Test Methods for Liquid Limit, Plastic Limit, and Plasticity Index of Soils
ASTM D4718	Standard Practice for Correction of Unit Weight and Water Content for Soils Containing Oversize Particles

END OF ITEM P-211

Item P-212 Shell Base Course

DESCRIPTION

212-1.1 This item shall consist of a base course composed of shell and binder constructed on a prepared underlying course per these specifications and shall conform to the dimensions and typical cross-section shown on the plans.

MATERIALS

212-2.1 Materials. The shell shall consist of durable particles of oyster or clam shell. The base material shall consist of oyster shell, together with an approved binder or filler material, blended or processed to produce a uniform mixture complying with the specifications for gradation, soil constants, and compaction capability. Clam shell may be used only in combination with oyster shell in the proportion up to and including 50%.

The shell shall be reasonably clean and free from excess amounts of clay or organic matter such as leaves, grass, roots, and other objectionable foreign material.

The gradation of the blended or processed material shall meet the requirements of the gradation given in the following table, when tested per ASTM C136.

Sieve Designation (square openings)	Percentage by Weight Passing Sieves
3 inch (75 mm)	100
3/4 inch (19 mm)	60-90
No. 4 (4.75 mm)	15-55
No. 200 (0.075 mm)	0-15

Soil binder shall be that portion of the material, including the blended filler, passing a No. 40 (0.42 mm) mesh sieve. The soil binder shall have a liquid limit of not more than 25 and a plasticity index of not more than eight (8) as determined by ASTM D4318.

If necessary, the Contractor shall blend or combine materials so that the final processed material meets all the specifications. The Contractor shall make modifications in materials and methods necessary to produce a material can be compacted into a dense, well-bonded base without an excess of soil binder.

212-2.2 Filler for blending. If filler, in addition to that naturally present in the base course material, is necessary for satisfactory bonding of the material, or for changing the soil constants of the material passing the No. 40 (0.42 mm) mesh sieve, or for correcting the gradation, it shall be uniformly blended with the base course material on the pavement or at the plant. The material shall be obtained from sources approved by the Engineer.

CONSTRUCTION METHODS

212-3.1 Sources of supply. The Contractor shall notify the Engineer 30 days in advance of the intended shell source. The shell shall be obtained from sources approved by the Engineer. The material in the stockpile shall be handled in a manner that will secure a uniform and satisfactory product.

212-3.2 Equipment. All equipment necessary for the proper construction of this work shall approved by the Engineer. The equipment shall be on the project, in good working condition before construction is permitted to start.

The processing plant shall be capable of thoroughly mixing the shell, binder and water in the required proportions to produce base material of required gradation and consistency.

212-3.3 Preparing underlying course. The underlying course shall be checked and accepted by the Engineer before placing and spreading operations are started. Any ruts or soft yielding places caused by improper drainage conditions, hauling, or any other cause shall be corrected at the Contractor's expense. Material shall not be placed on frozen subgrade or subbase.

212-3.4 Plant mixing. The base material shall be uniformly blended and mixed in an approved central or travel mixing plant. The shell, together with any blended material, shall be thoroughly mixed with the required amount of water. After the mixing is complete, the material shall be transported to, or spread on, the underlying course without undue loss of moisture content.

a. Placing and spreading. The base course material shall be placed on the prepared underlying course and compacted to the thickness shown on the plans. The material shall be placed and spread where designated by the Engineer and shall progress without interruption. The materials shall be placed and spread in lanes in a uniform layer without segregation. The material shall be placed and spread to a loose depth that, when compacted, the layer shall have the required thickness. The material shall be spread by spreader boxes or other approved devices. Dumping from vehicles in piles requiring rehandling shall not be permitted. Hauling over the uncompacted base course shall not be permitted.

[**b. Travel plant.** When the use of a travel plant is approved by the Engineer, the plant shall be sufficient to blend and mix the materials to provide a base mixture that meets specified gradation, quality, and thickness. If the travel plant is used for mixing, the aggregate shall be placed on the underlying course in windrows parallel to the pavement centerline. to allow the traveling plant to produce a base course of the thickness and gradation specified. Sufficient quantity and proportions of materials shall be placed in the windrow to provide a base aggregate mixture which will, when spread, meet the specified grading and compacted thickness. The windrow shall be shaped to a uniform section and left undisturbed until measuring and sampling are complete. After mixing and before spreading, the Engineer shall determine whether the mixing is complete and satisfactory and whether the proper moisture content is maintained for spreading. No spreading shall be done, until authorized by the Engineer. The base material shall be at a moisture content to obtain maximum density.

After the mixing is complete, the base material shall be spread to the required depth and width by a self-powered blade grader, mechanical spreader, or other method approved by the Engineer. Care shall be taken during the spreading of the material to prevent cutting into the underlying layer. The material shall be bladed, disked, and dragged if necessary until a smooth, uniform surface is obtained true to line, grade, and cross-section and ready for compacting.]

[**c. Mixed in-place.** If the base materials are to be proportioned and mixed or blended in-place, the different layers shall be spread and placed on the underlying course with the relative proportions of the components of the mixture designated by the Engineer. Thoroughly mix and blend the material using approved graders, discs, harrows, rotary-tillers, or other equipment approved by the Engineer, if necessary. The mixing shall continue until the mixture is uniform. Areas of segregated material shall be corrected by the addition of binder or filler material and then thoroughly remixed. Water in the required amount shall be uniformly applied prior to and during the mixing operations to maintain the material at the proper moisture content. When the mixing and blending has been completed, the material shall be spread in a uniform layer which, when compacted, will meet the requirements for thickness and typical cross-section. Hauling over material that has not been mixed and compacted shall not be permitted, unless necessary for the placing of successive layers of materials. Layers of base material which become partially compacted due to hauling shall be scarified and disked before placing binder material or before blading and shaping for rolling.]

The Engineer shall select the method of mixing and delete the other paragraphs.

212-3.5 General methods for placing. The base course shall be constructed in layers not less than 4 inches (100 mm) nor more than 6 inches (150 mm) of compacted thickness. The aggregate, as spread, shall be of uniform gradation with no pockets of fine or coarse materials. Unless permitted by the Engineer, the aggregate shall not be spread more than 2,000 square yards (1700 sq m) in advance of the rolling. Any necessary sprinkling shall be kept within this limit. No material shall be placed in snow or on a soft, muddy, or frozen course. When more than one layer is required, the construction procedure described here shall apply to each layer.

The Contractor's accredited laboratory shall conduct tests to determine the maximum density and the proper moisture content of the base material, and provide this information to the Engineer upon completion of the test for acceptance determination. The base material shall be brought to a satisfactory moisture content before rolling begins. Any minor variations in moisture content prior to or during rolling shall be corrected by sprinkling or aeration.

During placing and spreading operations the Contractor shall prevent the incorporation of subgrade, subbase, or shoulder material into the base course mixture.

212-3.6 Compaction. Immediately after completion of the spreading operations, the base course shall be thoroughly compacted. The number, type, and weight of rollers shall be sufficient to compact the mixture to the required density.

The field density of the compacted material shall be at least 100% of the maximum density of laboratory specimens prepared from samples of the base material. The laboratory specimens shall be compacted and tested per [___]. The in-place field density shall be determined per ASTM D1556. The moisture content of the material at the start of compaction shall be within $\pm 1-1/2$ percentage points of the optimum moisture content.

The Engineer shall specify ASTM D698 for areas designated for aircraft with gross weights of 60,000 pounds (27200 kg) or less and ASTM D1557 for areas designated for aircraft with gross weights greater than 60,000 pounds (27200 kg).

212-3.7 Acceptance sampling and testing for density. Aggregate base course shall be accepted for density on a lot basis. A lot will consist of one day’s production if it does not exceed 2400 square yards (2000 sq m). A lot will consist of one-half day’s production if a day’s production is between 2400 and 4800 square yards (2000 and 4000 sq m). The [Engineer shall perform all density tests][Contractor’s laboratory shall perform all density tests in the Engineer’s presence and provide the test results upon completion to the Engineer for acceptance].

Each lot shall be divided into two equal sublots. One test shall be made for each subplot and shall consists of the average of two random locations for density determination. Sampling locations will be determined by the Engineer on a random basis per ASTM D3665.

Each lot shall be accepted for density when the field density is at least 100% of the maximum density of laboratory specimens compacted and tested per ASTM [____]. The in-place field density shall be determined per [ASTM D1556. Test in accordance with ASTM D4718 if greater than 30% is retained on the 3/4 inch sieve.][ASTM D2167][ASTM D6938]. If the specified density is not attained, the entire lot shall be reworked and/or recompacted and two additional random tests made. This procedure shall be followed until the specified density is reached.

The Engineer shall specify ASTM D698 for areas designated for aircraft with gross weights of 60,000 pounds (27200 kg) or less and ASTM D1557 for areas designated for aircraft with gross weights greater than 60,000 pounds (27200 kg).

212-3.8 Surface tolerance.

After the course has been compacted, the surface shall be tested for smoothness and accuracy of grade and crown. Any portion lacking the required smoothness or failing in accuracy of grade or crown shall be scarified to a depth of at least 3 inches (75 mm), reshaped and recompacted to grade. until the required smoothness and accuracy are obtained and approved by the Engineer. Any deviation in surface tolerances shall be corrected by the Contractor at the Contractor’s expense. The smoothness and accuracy requirements specified here apply only to the top layer when base course is constructed in more than one layer.

a. Smoothness. The finished surface shall not vary more than 3/8 inch (9 mm) when tested with a 12-foot (3.7-m) straightedge applied parallel with and at right angles to the centerline. The straightedge shall be moved continuously at half the length of the 12-foot (3.7-m) straightedge for the full length of each line on a 50-foot [15 meter] grid.

b. Accuracy. The grade and crown shall be measured on a 50-foot (15-m) grid and shall be within +0 and -1/2 inch (12 mm) of the specified grade.

212-3.9 Thickness control. The thickness of the base course shall be determined by depth tests or cores taken by the Contractor in the presence of the Engineer. Test shall be taken at intervals representing no

more than 300 square yards (250 sq m) per test. When the base course is more than 1/2 inch (12 mm) deficient, the Contractor shall correct such areas by scarifying, and replacing with satisfactory materials, and then rolling, bonding, and refinishing per these specifications. The base material where depth tests or cores have been taken shall be replaced at the Contractor's expense.

The Engineer may modify the above thickness paragraph to permit the thickness determination by a survey before and after placement of the base. The survey interval should be specified based on the size of the project. Delete reference to depth tests or cores if surveys are specified.

212-3.10 Protection. Perform construction when the atmospheric temperature is above 35°F (2°C). When the temperature falls below 35°F (2°C), protect all completed areas by approved methods against detrimental effects of freezing. The Contractor shall correct completed areas damaged by freezing, rainfall, or other weather conditions to meet specified requirements. The construction shall be stopped when the aggregates contain frozen materials or when the underlying course is frozen or wet. Hauling equipment may be routed over completed portions of the base course, provided there is no damage to the base course. The equipment shall be routed over the full width of the base course to avoid rutting or uneven compaction. The Engineer shall have full authority to stop all hauling over completed or partially completed base course when, in the Engineer's opinion, such hauling is causing damage. Any damage to the base course shall be repaired by the Contractor at his or her expense.

212-3.11 Maintenance. The Contractor shall perform all maintenance work necessary to keep the base course in a satisfactory condition until the full section is complete and accepted by the Engineer. The surface shall be kept clean and free from foreign material. The base course shall be properly drained at all times. If cleaning is necessary or if the prime coat becomes disturbed, any work repairs necessary shall be performed at the Contractor's expense.

METHOD OF MEASUREMENT

212-4.1 The quantity of shell base course shall be the number of [square yards (square meters)][cubic yards (cubic meters)] of base course material placed, bonded, and accepted in the completed base course. The quantity of base course material shall be measured in final position based upon depth tests or cores taken by the Contractor as directed by the Engineer, at the rate of one (1) depth test for each 300 square yards (250 sq m) of base course [or by means of average end areas on the complete work computed from elevations to the nearest 0.01 foot (3 mm)]. On individual depth measurements, thicknesses more than 1/2 inch (12 mm) in excess of that shown on the plans shall be considered as specified thickness, plus 1/2 inch (12 mm) in computing the yardage for payment. Base materials shall not be included in any other excavation quantities.

BASIS OF PAYMENT

212-5.1 Payment shall be made at the contract unit price per [square yards (square meters)][cubic yard (cubic meter)] for shell base course. This price shall be full compensation for furnishing all materials and for all preparation, hauling, and placing of these materials, and for all labor, equipment, tools, and incidentals necessary to complete the item.

Payment will be made under:

Item P-212-5.1 Shell Base Course - per [square yards (square meters)]
[cubic yard (cubic meter)]

TESTING REQUIREMENTS

ASTM C136 Standard Test Method for Sieve or Screen Analysis of Fine and Coarse
Aggregates

ASTM D698 Standard Test Methods for Laboratory Compaction Characteristics of Soil Using
Standard Effort (12,400 ft-lbf/ft³ (600 kN-m/m³))

ASTM D1556 Standard Test Method for Density and Unit Weight of Soil in Place by the Sand-
Cone Method

ASTM D1557 Standard Test Methods for Laboratory Compaction Characteristics of Soil Using
Modified Effort (56,000 ft-lbf/ft³ (2700 kN-m/m³))

ASTM D4318 Standard Test Methods for Liquid Limit, Plastic Limit, and Plasticity Index of
Soils

END OF ITEM P-212

Item P-213 Sand-Clay Base Course

DESCRIPTION

213-1.1 This item shall consist of a base course composed of approved select material, constructed on a prepared underlying course per these specifications and shall conform to the dimensions and typical cross-section shown on the plans.

MATERIALS

213-2.1 Sand-clay. The materials shall be a mixture of clay and mineral aggregate. This mixture shall consist of topsoil, sand-clay, sand-clay gravel, disintegrated granite, or other approved select aggregate and containing sufficient binder material to produce a uniform mixture when blended or processed complying with the requirements of these specifications.

The materials shall be uniform and free from excess amounts of clay or organic matter such as leaves, grass, roots, and other objectionable or foreign substances. The coarse aggregate (particles coarser than a No. 4 mesh (4.75 mm) sieve) shall consist of hard, durable pieces or fragments of stone or gravel.

The gradation of the blended or processed material shall meet the requirements of one of the gradations given in the following table, when tested per ASTM C136.

Sieve designation	Percentage by Weight Passing Sieves	
	A	B
1-1/2 inch (38 mm)	100	100
1 inch (25 mm)	85-100	85-100
No. 4 (4.75 mm)	45-75	65-100
No. 10 (2.0 mm)	30-60	60-100
No. 40 (0.42 mm)	10-40	20-70
No. 200 (0.075 mm)	2-15	4-25

The fraction passing the No. 40 (0.42 mm) sieve shall be referred to as binder. The fraction passing the No. 200 (0.075 mm) mesh sieve shall be less than one-half the fraction passing the No. 40 (0.42 mm) mesh sieve. The material passing the No. 40 mesh sieve shall have a plasticity index not to exceed six (6) and have a liquid limit of not more than 25, when tested per ASTM D4318, for gradation A; plasticity index shall not exceed four (4) and the liquid limit shall not exceed 25 for gradation B.

213-2.2 Filler for blending. If filler, in addition to that naturally present in the base course material, is necessary for satisfactory bonding of the material, or for changing the soil constants of the material passing the No. 40 (0.42 mm) sieve, or for correcting the gradation within the limits of the specified gradation, it shall be uniformly blended with the base course material. The material for this purpose shall be obtained from sources approved by the Engineer at the gradation required to produce the required blended material.

CONSTRUCTION METHODS

213-3.1 Operation in pits. All work involved in clearing and stripping pits, including the handling of unsuitable material shall be performed by the Contractor at his or her expense. The base material shall be obtained from approved pits or other approved sources. The material in the pits shall be excavated and handled in a manner that assures a uniform and satisfactory product.

213-3.2 Equipment. All equipment necessary for the proper construction of this work shall be approved by the Engineer. The equipment shall be on the project and in good working condition before construction is permitted to start.

The processing equipment shall be capable of thoroughly mixing all materials and water in the required proportions to produce a base course at the required gradation and consistency.

213-3.3 Preparing underlying course. The underlying course shall be checked and accepted by the Engineer before placing and spreading operations are started. Any ruts or soft yielding places caused by improper drainage conditions, hauling, or any other cause shall be corrected at the Contractor's expense before the base course is placed thereon. Material shall not be placed on frozen subgrade or subbase.

213-3.4 Plant mixing. The base material shall be uniformly blended and mixed in an approved central or travel mixing plant. The sand-clay, together with any blended material, shall be thoroughly mixed with the required amount of water. After the mixing is complete, the base material shall be transported to, and spread on, the underlying course without undue loss of the moisture content.

a. Placing and spreading. The aggregate base course material shall be placed on the prepared underlying course and compacted layers to the thickness shown on the plans. The material shall be placed and spread where designated by the Engineer and shall progress without interruption. The material shall be placed and spread in lanes in a uniform layer without segregation of size. The material shall be placed and spread to a loose depth that, when compacted, the layer shall have the required thickness. The base aggregate shall be spread by spreader boxes, or other approved devices. Dumping from vehicles in piles requiring rehandling shall not be permitted. Hauling over the uncompacted base course shall not be permitted. The base material shall be spread and shaped the same day as placed.

When approved by the Engineer, the material may be dumped in piles, but it shall be spread immediately. Hauling over the uncompacted base course shall not be permitted.

[**b. Travel plant.** When the use of a travel plant is approved by the Engineer, the plant shall be sufficient to blend and mix the materials to provide a base mixture that meets specified gradation, quality, and thickness. The sand-clay shall be placed on the underlying course in windrows parallel to the pavement centerline. The windrow shall be shaped to a uniform section and left undisturbed until measuring and sampling are complete. After mixing and before spreading, the Engineer shall determine whether the mixing is complete and satisfactory and whether the proper moisture content is maintained for spreading. No spreading shall be done, until authorized by the Engineer. The base material shall be at a satisfactory moisture content to obtain maximum density.

After mixing is complete, the base material shall be spread to the required depth and width by a self-powered blade grader, mechanical spreader, or other method approved by the Engineer. Care shall be taken during spreading of the material to prevent cutting into the underlying layer. The material shall be bladed, disked, and dragged if

necessary until a smooth, uniform surface is obtained true to line, grade, and cross-section and in condition for compacting.]

[**c. Mixed in-place.** If the base materials are to be proportioned and mixed or blended in-place, the different layers shall be spread and placed on the underlying course with the relative proportions of the components of the mixture designated by the Engineer. The base aggregate shall be deposited and spread evenly on the subgrade to a uniform thickness and width. The binder or filler shall be deposited and spread evenly over the first layer in as many layers of materials as necessary to obtain the required base mixture. Thoroughly mix and blend the material using approved graders, discs, harrows, rotary-tillers, or other equipment approved by the Engineer, if necessary. The mixing shall continue until the mixture is uniform. Areas of segregated material shall be corrected by the addition of binder or filler material and then thoroughly remixed. Water in the required amount shall be uniformly applied as directed by the Engineer prior to and during the mixing operation to maintain the material at the proper moisture content. When the mixing and blending has been completed, the material shall be spread in a uniform layer which, when compacted, will meet the requirements for thickness and typical cross-section. Hauling over material that has not been mixed and compacted shall not be permitted, unless necessary for the placing of successive layers of materials. Layers of base material which become partially compacted due to hauling shall be scarified and disked before placing binder material or before blading and shaping for rolling.]

The Engineer shall select the mixing method(s) and delete the other paragraphs.

213-3.5 General methods for placing. The base course shall be constructed in layers not less than 4 inches (100 mm) nor more than 6 inches (150 mm) of compacted thickness. Each layer shall be measured for depth. The material, as spread, shall be of uniform gradation with no pockets of fine or coarse materials. Unless permitted by the Engineer, the base shall not be spread more than 2,000 square yards (1700 sq m) in advance of the rolling. Any necessary sprinkling shall be kept within this limit. No material shall be placed in snow or on a soft, muddy, or frozen course. When more than one layer is required, the construction procedure described herein shall apply to each layer. Caution shall be exercised during placing and spreading operations to prevent the incorporation of subgrade, subbase, or shoulder material into the base course mixture.

213-3.6 Compaction. Immediately after completion of the spreading operations, the base material shall be thoroughly compacted. The number, type, and weight of rollers shall be sufficient to compact the mixture to the required density.

The field density of the compacted material shall be at least 100% of the maximum density of laboratory specimens prepared from samples of the base material. The laboratory specimens shall be compacted and tested per [___]. The in-place field density shall be determined per ASTM D1556. The moisture content of the material at the start of compaction shall be within $\pm 1-1/2$ percentage points of the optimum moisture content.

The Engineer shall specify ASTM D698 for areas designated for aircraft with gross weights of 60,000 pounds (27200 kg) or less and ASTM D1557 for areas designated for aircraft with gross weights greater than 60,000 pounds (27200 kg).

213-3.7 Acceptance sampling and testing for density. Sand-clay base course shall be accepted for density on a lot basis. A lot will consist of one day’s production if it does not exceed 2400 square yards (2000 sq m). A lot will consist of one-half day’s production if a day’s production is between 2400 and 4800 square yards (2000 and 4000 sq m). The [Engineer shall perform all density tests][Contractor’s laboratory shall perform all density tests in the Engineer’s presence and provide the test results upon completion to the Engineer for acceptance].

Each lot shall be divided into two equal sublots. One test shall be made for each subplot and shall consists of the average of two random locations for density determination. Sampling locations will be determined by the Engineer on a random basis per ASTM D3665.

Each lot shall be accepted for density when the field density is at least 100% of the maximum density of laboratory specimens compacted and tested per ASTM [____]. The in-place field density shall be determined per [ASTM D1556. Test in accordance with ASTM D4718 if greater than 30% is retained on the 3/4 inch sieve.][ASTM D2167][ASTM D6938]. If the specified density is not attained, the entire lot shall be reworked and/or recompacted and two additional random tests made. This procedure shall be followed until the specified density is reached.

The Engineer shall specify ASTM D698 for areas designated for aircraft with gross weights of 60,000 pounds (27200 kg) or less and ASTM D1557 for areas designated for aircraft with gross weights greater than 60,000 pounds (27200 kg).

213-3.8 Surface tolerance. After the course has been compacted, the surface shall be tested for smoothness and accuracy of grade and crown. Any portion lacking the required smoothness or failing in accuracy of grade or crown shall be scarified to a depth of at least 3 inches (75 mm), reshaped and recompacted to grade. until the required smoothness and accuracy are obtained and approved by the Engineer. Any deviation in surface tolerances shall be corrected by the Contractor at the Contractor’s expense. The smoothness and accuracy requirements specified here apply only to the top layer when base course is constructed in more than one layer.

a. Smoothness. The finished surface shall not vary more than 3/8 inch (9 mm) when tested with a 12-foot (3.7-m) straightedge applied parallel with and at right angles to the centerline. The straightedge shall be moved continuously at half the length of the 12-foot (3.7-m) straightedge for the full length of each line on a 50-foot [15-meter] grid.

b. Accuracy. The grade and crown shall be measured on a 50-foot (15-m) grid and shall be within +0 and -1/2 inch (12 mm) of the specified grade.

213-3.9 Thickness control. The thickness of the base course shall be determined by depth tests or cores taken by the Contractor in the presence of the Engineer at intervals so each test shall represent no more than 300 square yards (250 sq m). When the base is more than 1/2 inch (12 mm) deficient, the Contractor

shall correct the areas by scarifying, adding satisfactory base mixture, rolling, sprinkling, reshaping, and refinishing per these specifications. The Contractor shall replace, at his/her expense, the base material where depth tests or cores have been taken.

The Engineer may modify the above thickness paragraph to permit the thickness determination by a survey before and after placement of the base. The survey interval should be specified based on the size of the project. Delete reference to depth tests or cores if surveys are specified.

213-3.10 Protection. Work on the base course shall not be accomplished during freezing temperature or when the subgrade is wet. Construction shall stop when the base material contains frozen material or when the underlying course is frozen or wet.

Hauling equipment may be routed over completed portions of the base course, provided there is no damage to the base course. The equipment shall be routed over the full width of the base course to avoid rutting or uneven compaction. The Engineer shall have full authority to stop all hauling over completed or partially completed base course when, in the Engineer’s opinion, such hauling is causing damage. Any damage to the base course from routing equipment over the base course shall be repaired by the Contractor at the Contractor’s expense.

213-3.11 Maintenance. Following the completion of the base course, the Contractor shall perform all maintenance work necessary to keep the base course in a condition satisfactory for priming. After priming, the surface shall be kept clean and free from foreign material. The base course shall be properly drained at all times. If cleaning is necessary, or if the prime coat becomes disturbed, any work or restitution necessary shall be performed at the expense of the Contractor.

METHOD OF MEASUREMENT

213-4.1 The quantity of sand-clay base course shall be the number of [square yards (cubic meters)][cubic yards (cubic meters)] of base course material placed, bonded, and accepted in the completed base course. The quantity of base course material shall be measured in final position based upon [, depth tests or cores taken as directed by the Engineer, at the rate of one (1) depth test for each 300 square yards (250 sq m) of base course][, by means of average end areas on the complete work computed from elevations to the nearest 0.01 foot (3 mm)]. On individual depth measurements, thicknesses more than 1/2 inch (12 mm) in excess of that shown on the plans shall be considered as the specified thickness, plus 1/2 inch (12 mm) in computing the yardage for payment. Base materials shall not be included in any other excavation quantities.

Engineer shall select the method of measurement.

BASIS OF PAYMENT

213-5.1 Payment shall be made at the contract unit price per [square yards (cubic meters)] [cubic yard (cubic meter)] for sand-clay base course. This price shall be full compensation for furnishing all materials and for all preparation, hauling, and placing of these materials, and for all labor, equipment, tools, and incidentals necessary to complete the item.

Payment will be made under:

Item P-213-5.1 Sand-Clay Base Course - per [square yards (cubic meters)]
 [cubic yard (cubic meter)]

TESTING REQUIREMENTS

ASTM C136	Standard Test Method for Sieve or Screen Analysis of Fine and Coarse Aggregates
ASTM D698	Standard Test Methods for Laboratory Compaction Characteristics of Soil Using Standard Effort (12,400 ft-lbf/ft ³ (600 kN-m/m ³))
ASTM D1556	Standard Test Method for Density and Unit Weight of Soil in Place by the Sand-Cone Method
ASTM D1557	Standard Test Methods for Laboratory Compaction Characteristics of Soil Using Modified Effort (56,000 ft-lbf/ft ³ (2700 kN-m/m ³))
ASTM D2167	Standard Test Method for Density and Unit Weight of Soil in Place by the Rubber Balloon Method
ASTM D4318	Standard Test Methods for Liquid Limit, Plastic Limit, and Plasticity Index of Soils
ASTM D4718	Standard Practice for Correction of Unit Weight and Water Content for Soils Containing Oversize Particles

END OF ITEM P-213

Item P-217 Aggregate-Turf Pavement

DESCRIPTION

217-1.1 This item shall consist of an aggregate-turf pavement composed of a base course of soil-bound crushed stone, soil-bound gravel, or soil-bound sand, and a seedbed of suitable soil or combination of soil and aggregate, constructed on a prepared subgrade or a previously constructed underlying course per these specifications, and shall conform to the dimensions and typical cross-section shown on the plans.

This item may include the furnishing and applying of fertilizer, lime, top-soil, or other plant nutrients; the furnishing and planting of seed; and the furnishing and spreading of mulch. When any of these turfing materials are required, the quality, quantity, and construction methods shall be per applicable FAA Turf Specifications. When turf is to be established, the seedbed soil or topsoil shall be a natural friable soil, possessing characteristics of the best locally obtainable soils, which can produce a fairly heavy growth of crops, grass, or other vegetation.

The prepared composite mixture of aggregates used for the base course shall be [Type A, B, or C, of the table below (titled Requirements for Gradation of Mixture)] [stabilizer aggregate of the table below (titled Requirements for Gradation of Stabilizer Aggregate) mixed with in-place materials].

MATERIALS

217-2.1 Stabilized mixes. The designated stabilized base course mixtures shall conform to the following requirements.

[Type A - The materials shall be natural or artificial mixtures of clay or soil binder and gravel, stone or sand, as screenings proportioned to meet the requirements specified.]

[Type B or C - The materials shall be natural or artificial mixtures of gravel, stone, or slag and soil so proportioned to meet the requirement specified. The aggregate shall consist of clean, hard durable particles of crushed or uncrushed gravel, stone, or slag, and shall be free from soft, thin, elongated, or laminated pieces, and vegetable or other deleterious substances.]

The prepared composite mixture used shall meet the applicable gradation requirements as follows when tested per ASTM C136.

Requirements for Gradation of Mixture

Sieve Designation (square openings)	Percentage by weight passing sieves
	[*]
2 inch (50 mm)	*
1 inch (25 mm)	*
3/4 inch (19 mm)	*
No. 4 (4.75 mm)	*
No. 10 (2.00 mm)	*
No. 20 (0.085 mm)	*
No. 40 (0.425 mm)	*
No. 200 (0.075 mm)	*

The Engineer shall select the gradation from the following table to populate the above table titled “Requirements for Gradation of Mixture.”

Requirements for Gradation of Mixture

Sieve Designation (square openings)	Percentage by weight passing sieves		
	A	B	C
2 inch (50 mm)			100
1 inch (25 mm)	100	100	70-95
3/4 inch (19 mm)		70-100	
No. 4 (4.75 mm)		40-70	
No. 10 (2.00 mm)	60-100	40-70	32-60
No. 20 (0.085 mm)	50-90		
No. 40 (0.425 mm)	40-75	20-45	20-40
No. 200 (0.075 mm)	12-30	10-20	10-20

The fraction of the composite mixture passing the No. 200 (0.075 mm) sieve shall be less than two-thirds of the fraction passing the No. 40 (0.425 mm) sieve. The fraction passing the No. 40 (0.425 mm) mesh sieve shall have a liquid limit not greater than 30 and a plasticity index not greater than eight (8) when tested per ASTM D4318.

217-2.2 Stabilizer aggregate. Stabilizer aggregate conforming to the gradation(s) specified in the table below, when tested per ASTM C136, shall be placed upon the existing soil or base course in the specified quantity per square yard (square meter). The aggregate shall be uniformly blended with the soil or base course material to the depth required or as shown on the plans. The aggregate shall consist of crushed stone, crushed or uncrushed gravel, or crushed slag, and it shall have a percent of wear not more than 60 at 500 revolutions as determined by ASTM C131. The aggregate shall be free from soft, thin, elongated, or laminated pieces, disintegrated material, or other deleterious substances.

Where sand, as existing subgrade or base, requires stabilization, it shall be stabilized by the addition of clay or lime rock. The operation of spreading and mixing shall be handled as stated under construction methods.

Requirements for Gradation of Stabilizer Aggregate

Sieve designation (square openings)	Percentage by weight passing sieves
	[*]
2 inch (50 mm)	*
1-1/2 inch (38 mm)	*
1 inch (25 mm)	*
1/2 inch (12 mm)	*
No. 4 (4.75 mm)	*
No. 10 (2.00 mm)	*
No. 100 (0.150 mm)	*

The Engineer shall select the appropriate gradation(s) from the following table.

Requirements for Gradation of Stabilizer Aggregate

Sieve designation (square openings)	Percentage by weight passing sieves		
	D	E	F
2 inch (50 mm)		100	
1-1/2 inch (38 mm)	100		
1 inch (25 mm)	90-100		
1/2 inch (12 mm)		0-15	100
No. 4 (4.75 mm)	20-50		85-100
No. 10 (2.00 mm)	0-10		
No. 100 (0.150 mm)			0-30

CONSTRUCTION METHODS

217-3.1 Operation in pits. All work involved in clearing and stripping pits, including handling of unsuitable material, shall be performed by the Contractor at his or her own expense. The base or binder material shall be obtained from approved sources. The material in the pits shall be excavated and handled in a manner that will secure a uniform and satisfactory product.

217-3.2 Equipment. All equipment necessary for the construction of this work shall be approved by the Engineer. The equipment shall be on the project in good working condition before construction is permitted to start.

217-3.3 Preparing subgrade. Before any base course material is placed, the subgrade or underlying course shall be prepared and conditioned as specified. The underlying course shall be checked and accepted by the Engineer before placing and spreading operations are started.

217-3.4 Placing materials.

a. All new material shall be placed on the prepared course and compacted in layers to the thickness shown on the plans. The placing and spreading of the material on the prepared and completed layer shall begin where designated by the Engineer and shall progress without interruption. The material shall be placed and spread in lanes in a uniform layer and without segregation of size. The material shall be placed and spread to such loose depth that, when compacted, the layer will have the required thickness. The material shall be spread with approved equipment. When it is necessary to combine materials from different sources, it may be done at the pits, in a processing plant prior to delivery of the material, or on the course in the proper proportions and in successive layers that will give the required gradation and thickness. If the combining is done on the course, the mixing shall be as specified here.

b. When it is necessary to blend new material with material on the existing surface, the existing surface shall first be scarified lightly and bladed to uniform grade and cross-section as shown on the plans. After blading the existing surface shall be further scarified and/or pulverized to the depth required to provide sufficient loose material to mix with the added material.

217-3.5 Spreading and mixing.

a. Materials that have been mixed and processed in a processing plant, at the pits, or elsewhere, shall be delivered and spread to the required depth.

b. After placing the required materials which will be combined on the base course, the total base material shall be thoroughly pulverized and mixed by approved rotary-pulverizing mixers. The moisture content of the aggregate and soil binder shall be as specified by the Engineer to ensure thorough mixing and the required compaction. The mixing shall produce a homogeneous mass with the specified gradation and soil characteristics forming a base course with the desired qualities. When the mixing is complete, the material shall be spread in a uniform layer and compacted the required thickness and typical cross-section.

217-3.6 Compaction. Immediately after completion of the spreading operations, the material shall be compacted. The number, type, and weight of rollers shall be sufficient to compact the material to the required density.

The field density of the compacted material shall be at least 90% of the maximum density of laboratory specimens prepared from samples of the subbase material. The laboratory specimens shall be compacted and tested per ASTM D698. The in-place field density shall be determined per ASTM D1556 or ASTM D2167. The moisture content of the material at the start of compaction shall be within $\pm 1-1/2$ percentage points of the optimum moisture content.

217-3.7 Surface test, thickness, and maintenance. The surface shall not deviate more than 1/2 inch (12 mm) when tested with a 12-foot (3.7-m) straightedge applied parallel with, and at right angles to, the centerline. Any deviation greater than this shall be corrected by loosening, adding or removing material, reshaping, and recompacting.

The base course thickness shall be determined by the Contractor in the presence of the Engineer by [depth tests or cores taken at intervals so each test shall represent not more than 500 square yards (418 sq m)]. When the base is more than 1/2 inch (12 mm), it shall be corrected. The base material where depth tests or cores have been taken for test purposes shall be replaced at the Contractor's expense.

The surface of the base course shall be maintained and kept in a well-drained condition until the construction of another course. Sprinkling, blading, and rolling shall be performed when necessary to prevent the base material from becoming unbonded.

The Engineer may modify the above thickness paragraph to permit the thickness determination by a survey before and after placement of the base. The survey interval should be specified based on the size of the project. Delete reference to depth tests or cores if surveys are specified.

217-3.8 Turf-surfacing. Following the construction of the soil-aggregate base, the Contractor shall prepare the seedbed for the turf. If topsoil is to be placed, the surface of the base course shall be loosened slightly, as directed by the Engineer. If seeding is to be done without topsoiling, the surface of the base shall be loosened sufficiently to prepare a seedbed. This can be done by discing, harrowing, rotary-tilling, or other approved methods to a depth not less than 1 inch (25 mm) nor greater than 3 inches (75 mm). Any topsoil shall be spread to the depth required. The seedbed preparation, applying lime, fertilizer and water, seeding, rolling and mulching, shall be performed per the specification requirements.

METHOD OF MEASUREMENT

217-4.1. Soil-aggregate base course shall be measured by the number of [square yard (square meter)] [cubic yards (cubic meters)] of base course material placed, bonded, and accepted in the completed base course. The quantity shall be measured in final position based on [depth tests or cores] [, by means of average end areas on the completed work].

Stabilizer aggregate shall be measured by the number of [square yard (square meter)] [cubic yards (cubic meters)] of aggregate furnished, placed, and accepted in the completed base course.

When approved materials in-place are used in the base course, the preparation and incorporation of other materials in the base mixture shall be measured as a conditioning and mixing operation measured by the number of square yards (square meters) of such material prepared and incorporated in the mix and accepted.

Topsoil, lime, fertilizer, seeding and mulching will be paid under the applicable T-specs.

BASIS OF PAYMENT

217-5.1 Payment shall be made at the contract unit price per [square yard (square meter)] [cubic yard (cubic meter)] for soil-aggregate base course; at the contract unit price per [square yard (square meter)] [cubic yard (cubic meter)] for stabilizer aggregate; and at the contract unit price per square yard (square meter) for conditioning operation. These prices shall be full compensation for furnishing all materials and for all preparation, hauling, and placing of these materials; and for all labor, equipment, tools, and incidentals necessary to complete the item.

Payment will be made under:

Item P-217-5.1 Soil Aggregate Base Course - per [square yard (square meter)]
[cubic yard (cubic meter)]

Item P-217-5.2 Stabilizer Aggregate - per [square yard (square meter)][cubic
yard (cubic meter)]

Item P-217-5.3 Conditioning Operation - per square yard (square meter)

The Engineer shall include only those items shown in the bid schedule.

TESTING REQUIREMENTS

ASTM C131 Standard Test Method for Resistance to Degradation of Small-Size Coarse
Aggregate by Abrasion and Impact in the Los Angeles Machine

ASTM C136 Standard Test Method for Sieve or Screen Analysis of Fine and Coarse
Aggregates

ASTM D698 Standard Test Methods for Laboratory Compaction Characteristics of Soil Using
Standard Effort (12,400 ft-lbf/ft³ (600 kN-m/m³))

ASTM D1556 Standard Test Method for Density and Unit Weight of Soil in Place by the Sand-
Cone Method

ASTM D2167 Standard Test Method for Density and Unit Weight of Soil in Place by the
Rubber Balloon Method

END OF ITEM P-217

Item P-219 Recycled Concrete Aggregate Base Course

DESCRIPTION

219-1.1 This item consists of a base course composed of recycled concrete aggregate, crushed to meet a particular gradation, constructed on a prepared course per these specifications and in conformity to the dimensions and typical cross-sections shown on the plans.

MATERIALS

219-2.1 Aggregate. Recycled concrete aggregate shall consist of portland cement concrete (PCC) or other concrete containing pozzolanic binder material. The recycled concrete material shall be free of reinforcing steel and expansion material. Asphalt concrete overlays shall be removed from the PCC surface prior to pavement removal and crushing. Any full-slab asphalt concrete panels (used as a replacement for a removed PCC slab) shall also be removed. An incidental amount of recycled asphalt concrete pavement and other foreign material may be present in the recycled concrete aggregate.

Recycled concrete aggregate base course shall consist of at least 90%, by weight, Portland cement concrete, with the remaining 10% consisting of the following materials:

Wood	0.1% maximum
Brick, mica, schist, or other friable materials	4% maximum
Asphalt concrete	10% maximum

Virgin aggregates may be added to meet the 90% minimum PCC requirement.

The percentage of wood, brick, mica, schist, other friable materials, and asphalt concrete shall be determined by weighing that material retained on the No. 4 sieve, and dividing by the total weight of recycled concrete aggregate material retained on the No. 4 sieve.

The fine aggregate shall be produced by crushing stone, gravel, slag, or recycled concrete that meet the requirements for wear and soundness specified for coarse aggregate. Fine aggregate may be added to produce the correct gradation.

To the extent possible, recycled concrete aggregate should be produced from distress-free (material related) concrete. Verify source of PCC, if PCC to be used is produced from different projects at different times. Recommend restrictions to where in the pavement Item P-219 material may be used when loads > 60,000 pounds.

Concrete that has deteriorated from alkali-silica reaction (ASR) may be used for recycling base course with appropriate analysis. The pavement designer should exercise due care in evaluating site conditions and other factors to ensure the proper use of ASR affected PCC.

Recycled concrete aggregate shall not be used in locations with high sulfate content soils (no more than 0.5%).

The amount of flat and elongated particles in recycled concrete aggregate shall not exceed 20% for the fraction retained on the 1/2 inch (12 mm) sieve nor 20% for the fraction passing the 1/2 inch (12 mm) sieve when tested per ASTM D4791. A flat particle is one having a f width to thickness ratio greater than 3; an elongated particle is one having a length to width ratio greater than 3.

Recycled concrete aggregate shape depends on the characteristics of the recycled concrete, plant type, and plant operation speed. This may require a number of trial batches before crushed recycled concrete aggregate meeting the shape and gradation requirements can be produced.

The percentage of wear shall not be greater than 45% when tested per ASTM C131. The sodium sulfate soundness test (ASTM C88) requirement is waived for recycled concrete aggregate.

The fraction passing the No. 40 (0.42-mm) sieve shall have a liquid limit no greater than 25 and a plasticity index of not more than four (4) when tested per ASTM D4318. The fine aggregate shall have a minimum sand equivalent value of 35 when tested per ASTM D2419.

a. Sampling and testing. Recycled concrete aggregate samples for preliminary testing shall be furnished by the Contractor prior to the start of base construction. All tests for initial aggregate submittals necessary to determine compliance with the specification requirements will be made by the Engineer at no expense to the Contractor.

Samples of recycled concrete aggregate shall be furnished by the Contractor at the start of production and at intervals during production. The sampling points and intervals will be designated by the Engineer. The samples will be the basis of approval of specific lots of recycled concrete aggregate for the quality requirements.

Samples of recycled concrete aggregate to check gradation shall be taken at least once daily. Sampling shall be per ASTM D75, and testing shall be per ASTM C136 and ASTM C117.

b. Gradation requirements. The gradation (job mix) of the final mixture shall fall within the design range indicated in the following table, when tested per ASTM C117 and ASTM C136. The final gradation shall be continuously graded from coarse to fine and shall not vary from the low limit on one sieve to the high limit on an adjacent sieve or vice versa.

Requirements for Gradation Of Recycled Concrete Aggregate Base

Sieve Size	Percentage by Weight Passing Sieves	Job Mix Tolerances Percent
2 inch (50 mm)	100	--
1-1/2 inch (38 mm)	95 - 100	±5
1 inch (25 mm)	70 - 95	±8
3/4 inch (19 mm)	55 - 85	±8
No. 4 (4.75 mm)	30 - 60	±8
No. 30 (0.60 mm)	12 - 30	±5
No. 200 (0.075 mm)	0 - 5	±3

The job mix tolerances in the table shall be applied to the job mix gradation to establish a job control gradation band. The full tolerance still will apply if application of the tolerances results in a job control gradation band outside the design range.

EQUIPMENT

219-3.1 General. All equipment necessary to mix, transport, place, compact, and finish the recycled concrete aggregate base course shall be furnished by the Contractor. The Contractor shall provide written certification to the Engineer that all equipment meets the requirements for this section. The equipment shall be inspected by the Engineer at the job site prior to the start of construction operations.

219-3.2 Mixing equipment. Base course shall be thoroughly mixed in a plant suitable for recycled concrete aggregate. The mixer shall be a batch or continuous-flow type equipped with a calibrated metering and feeding device that introduce the aggregate and water into the mixer in specified quantities. If necessary, a screening device shall be installed to remove oversized material greater than 2 inches (50 mm) from the recycled concrete aggregate feed.

The Engineer shall have access to the plant at all times for inspection of the plant’s equipment and operation and for sampling the mixed recycled concrete aggregate materials.

219-3.3 Hauling equipment. The mixed recycled concrete aggregate base course shall be transported from the plant to the job site in hauling equipment having beds that are smooth, clean, and tight. Truck bed covers shall be provided and used to protect the mixed recycled concrete aggregate base course from rain during transport.

219-3.4 Placing equipment. Recycled concrete aggregate shall be placed using a mechanical spreader or machine capable of receiving, spreading, and shaping the material into a uniform layer or lift without segregation. The placing equipment shall be equipped with a strike off plate that can be adjusted to the layer thickness. [The placing equipment shall have two end gates or cut off plates, so that the recycled concrete aggregate may be spread up to a lane width.]

The Engineer may add additional equipment requirements.

219-3.5 Compaction equipment. Recycled concrete aggregate base course shall be compacted using one or a combination of the following pieces of equipment: steel-wheeled roller; vibratory roller; pneumatic-tire roller; and/or hand-operated power tampers (for areas inaccessible to rollers).

219-3.6 Finishing equipment. Trimming of the compacted recycled concrete aggregate to meet surface requirements shall be accomplished using a self-propelled grader or trimming machine, with a mold board cutting edge of 12 feet (3.7 m) minimum width automatically controlled by sensors in conjunction with an independent grade control from a taut stringline. Stringline will be required on both sides of the sensor controls for all lanes.

CONSTRUCTION METHODS

219-4.1 Weather limitations. Construction is allowed only when the atmospheric temperature is at or above 35°F (2°C). When the temperature falls below 35°F (2°C), the Contractor shall protect all completed areas against detrimental effects of freezing. The Contractor shall repair any areas damaged by freezing, rainfall, or other weather conditions.

219-4.2 Preparing underlying course. The underlying course shall be checked by the Engineer before placing and spreading operations are started. Any ruts or soft yielding places caused by improper drainage conditions, hauling, or any other cause shall be corrected at the Contractor's expense before the base course is placed there. Material shall not be placed on frozen material.

To protect the existing layers and to ensure proper drainage, the spreading of the recycled concrete aggregate base course shall begin along the centerline of the pavement on a crowned section or on the greatest contour elevation of a pavement with a variable uniform cross slope.

219-4.3 Grade control. Grade control between the edges of the recycled concrete aggregate base course lanes shall be accomplished by grade stakes, steel pins, or forms placed in lanes parallel to the centerline and at intervals of 50 feet (15 m) or less on the longitudinal grade and 25 feet (7.5 m) or less on the transverse grade.

219-4.4 Mixing. The recycled concrete shall be uniformly blended during crushing operations and mixed with water in a mixing plant suitable for recycled concrete aggregate. The plant shall blend and mix the materials to meet the specifications and to secure the proper moisture content for compaction.

219-4.5 Placing. The recycled concrete aggregate base material shall be placed on the moistened subgrade or base in layers of uniform thickness with an approved mechanical spreader.

The maximum depth of a compacted layer shall be 6 inches (150 mm). If the total depth of the compacted material is more than 6 inches (150 mm), it shall be constructed in two or more layers. In multi-layer construction, the material shall be placed in approximately equal-depth layers.

The previously constructed layer shall be cleaned of loose and foreign material prior to placing the next layer. The surface of the compacted material shall be kept moist until covered with the next layer.

Adjustments in placing procedures or equipment shall be made to obtain grades, to minimize segregation grading, to adjust the water content, and to ensure an acceptable recycled concrete aggregate base course.

219-4.6 Compaction. Immediately after completion of the spreading operations, the recycled concrete aggregate shall be compacted. The number, type, and weight of rollers shall be sufficient to compact the material to the required density.

Each layer of the recycled concrete aggregate base course shall be compacted to the required density using the compaction equipment. The moisture content of the material during placing operations shall be within $\pm 1\frac{1}{2}$ percentage points of the optimum moisture content as determined by ASTM [____].

The Engineer shall specify ASTM D698 for areas designated for aircraft with gross weights of 60,000 pounds (27200 kg) or less and ASTM D1557 for areas designated for aircraft with gross weights greater than 60,000 pounds (27200 kg).

The compaction shall continue until each layer has reached compaction that is at least 100% of the laboratory maximum density through the full depth of the layer. The Contractor shall make adjustments in compacting or finishing techniques to obtain true grades, to minimize segregation and degradation, to reduce or increase water content and to ensure a satisfactory base course. Any unsatisfactory materials shall be removed and replaced with satisfactory material or reworked, to meet the requirements of this specification.

219-4.7 Acceptance sampling and testing for density. The [Engineer shall perform all density tests] [Contractor’s laboratory shall perform all density tests in the Engineer’s presence and provide the test results upon completion daily to the Engineer for acceptance]. Recycled concrete aggregate shall be accepted for density on a lot basis. A lot will consist of one day’s production where it does not exceed 2,400 square yards (2000 sq m) per lift. A lot will consist of one-half day’s production, where a day’s production is between 2,400 and 4,800 square yards (2000 and 4000 sq m) per lift.

Each lot shall be divided into two equal sublots. One density test shall be made for each subplot and shall consist of the average of two random locations for density determination. Sampling locations will be determined by the Engineer on a random basis per ASTM D3665.

Each lot will be accepted for gradation when it falls within the limits and tolerances shown in the table above when tested per ASTM C117 and ASTM C131. If the proper gradation is not attained the gradation test will be repeated. If the re-test does not indicate gradations within the limits of the table above, the entire lot shall be rejected and replaced by the Contractor at the Contractor’s expense.

Each lot will be accepted for density when the field density is at least 100% of the maximum density of laboratory specimens prepared from samples of the base course material. The specimens shall be compacted and tested per ASTM [___]. The in-place field density shall be determined per [ASTM D1556. Test in accordance with ASTM D4718 if greater than 30% is retained on the 3/4 inch sieve.] [ASTM D2167] [ASTM D6938. The field density shall be determined in accordance with ASTM D6938 using Procedure A, the direct transmission method and the machines shall be calibrated in accordance with per ASTM D6938. When using the nuclear method, ASTM D4643 shall be used to determine the moisture content of the material.]. If the specified density is not attained, the entire lot shall be reworked and two additional random tests made. This procedure shall be followed until the specified density is reached.

The Engineer shall specify ASTM D698 for areas designated for aircraft with gross weights of 60,000 pounds (27200 kg) or less and ASTM D1557 for areas designated for aircraft with gross weights greater than 60,000 pounds (27200 kg).

219-4.8 Finishing. The surface of the recycled concrete aggregate base course shall be finished by equipment designed for this purpose.

Adding a thin layer of material to the top of the base course to meet grade shall not be allowed. If the elevation of the layer is 1/2 inch (12 mm) or more below grade, the layer shall be scarified to a depth of at least 3 inches (75 mm), new material added, and the layer shall be recompacted. If the finished surface is above plan grade, it shall be cut back to grade and rerolled. The grade shall be measured on a maximum 25-foot (7.5-m) grid (longitudinal and transverse). Thickness results shall be furnished to the Engineer daily for acceptance determination.

Should the surface become rough, corrugated, uneven in texture, or traffic marked prior to completion, the unsatisfactory portion shall be scarified, and recompacted or replaced at the Contractor's expense.

219-4.9 Surface tolerances. The finished surface shall not vary more than 3/8 inch (9 mm) when tested with a 12-foot (3.7-m) straightedge applied parallel with or at right angles to the centerline. The Contractor shall correct any deviation in excess of this amount, at the Contractor's expense.

219-4.10 Thickness control. The completed thickness of the base course shall be within 1/2 inch (12 mm) of the design thickness. Four thickness determinations shall be made for each lot of material placed. Each lot shall be divided into four equal sublots and one test shall be made for each subplot. Sampling locations will be determined per ASTM D3665. Where the thickness is y more than 1/2 inch (12 mm) deficient, the Contractor, at his or her expense, shall correct the areas by excavating to the required depth and replacing with new material. Additional test holes may be required to identify the limits of deficient areas.

219-4.11 Traffic. Equipment used in construction may be routed over completed portions of the base course, provided there is no damage to the base course. The equipment shall be routed evenly over the full width of the base course to avoid rutting or uneven compaction.

219-4.12 Maintenance. The base course shall be maintained until the base course is completed and accepted. Maintenance will include immediate repairs to any defects and shall be repeated as often as necessary to keep the completed work intact. The Contractor, at his or her expense, will rework any area of the recycled concrete aggregate base course that is damaged.

METHOD OF MEASUREMENT

219-5.1 The quantity of [] inch ([] mm) recycled concrete aggregate base course will be determined by measurement of the number of square yards (square meters) of material actually constructed and accepted as complying with the plans and specifications.

BASIS OF PAYMENT

219-6.1 Payment shall be made at the contract unit price per square yard (square meter) for [] inch ([] mm) recycled concrete aggregate base course. This price shall be full compensation for furnishing all materials, for preparing and placing these materials, and for all labor, equipment tools, and incidentals necessary to complete the item.

Payment will be made under:

Item P-219-6.1 [] inch ([] mm) Recycled Concrete Aggregate Base Course per square yard (square meter)

TESTING REQUIREMENTS

ASTM C29	Standard Test Method for Bulk Density (“Unit Weight”) and Voids in Aggregate
ASTM C88	Standard Test Method for Soundness of Aggregates by Use of Sodium Sulfate or Magnesium Sulfate
ASTM D75	Standard Practice for Sampling Aggregates
ASTM C117	Standard Test Method for Materials Finer than 75 μm (No. 200) Sieve in Mineral Aggregates by Washing
ASTM C131	Standard Test Method for Resistance to Degradation of Small-Size Coarse Aggregate by Abrasion and Impact in the Los Angeles Machine
ASTM C136	Standard Test Method for Sieve or Screen Analysis of Fine and Coarse Aggregate
ASTM D698	Standard Test Methods for Laboratory Compaction Characteristics of Soil Using Standard Effort (12,400 ft-lbf/ft ³ (600 kN-m/m ³))
ASTM D1556	Standard Test Method for Density and Unit Weight of Soil in Place by the Sand Cone Method
ASTM D1557	Standard Test Methods for Laboratory Compaction Characteristics of Soil Using Modified Effort (56,000 ft-lbf/ft ³ (2700 kN-m/m ³))
ASTM D2167	Standard Test Method for Density and Unit Weight of Soil in Place by the Rubber-Balloon Method
ASTM D2419	Standard Test Method for Sand Equivalent Value of Soils and Fine Aggregate
ASTM D3665	Standard Practice for Random Sampling of Construction Materials
ASTM D4318	Standard Test Methods for Liquid Limit, Plastic Limit, and Plasticity Index of Soils
ASTM D4643	Standard Test Method for Determination of Water (Moisture) Content of Soil by Microwave Oven Heating
ASTM D4718	Standard Practice for Correction of Unit Weight and Water Content for Soils Containing Oversize Particles
ASTM D4791	Standard Test Method for Flat Particles, Elongated Particles, or Flat and Elongated Particles in Coarse Aggregate
ASTM D6938	Standard Test Method for In-Place Density and Water Content of Soil and Soil-Aggregate by Nuclear Methods (Shallow Depth)

END OF ITEM P-219

Intentionally Left Blank

Part 4 – Rigid Base Courses

Item P-301 Soil-Cement Base Course

DESCRIPTION

301-1.1 This item shall consist of constructing a base course by uniformly mixing soil, Portland cement, and water. The mixed material shall be spread, shaped, and compacted in accordance with these specifications and in conformity to the dimensions and typical cross-section shown on the plans. Tests shall be required for each approved soil included within the treated layer.

Runway, taxiway, or apron pavements shall be built in a series of parallel lanes using a plan that reduces the number of longitudinal and transverse joints to a minimum.

MATERIALS

301-2.1 Portland cement. Portland cement shall conform to the requirements of ASTM C150, Type I, IA, II, or IIA or ASTM C595, Type IS or IS(A).

301-2.2 Water. Water used for mixing or curing shall be potable, reasonably clean and free of oil, salt, acid, alkali, sugar, vegetable, or other substances injurious to the finished product.

301-2.3 Soil. The soil shall consist of an approved select soil. The soil shall be free of roots, sod, weeds, and shall not contain gravel or stone retained on a 2-inch (50-mm) sieve or more than 45% retained on a No. 4 (4.75 mm) sieve, as determined by ASTM C136.

301-2.4 Bituminous material. The types, grades, controlling specifications, and application temperatures for the bituminous materials used for curing the soil-cement shall be [___].

The Engineer will designate the specific material used from the table below.

Bituminous Materials

Type and Grade	Specification	Application Temperature	
		Degrees F	Degrees C
Cutback Asphalt			
RC-70	ASTM D2028	120-160	50-70
RC-250	ASTM D2028	160-200	70-95
Emulsified Asphalt			
RS-1, SS-1	ASTM D977	75-130	25-55
CRS-1	ASTM D2397	75-130	25-55

MIX DESIGN

301-3.1 Proportions. Before the start of base course construction, tests shall be made on the soil or soil-aggregate material to be stabilized to determine the quantity of cement required for the mix design.

Test specimens containing various amounts of cement shall be compacted per ASTM D558, and the optimum moisture determined for each test specimen. Samples at the optimum moisture shall be subjected to the wet-dry and the freeze-thaw test in accordance with American Association of State Highway and Transportation Officials (AASHTO) T135 and AASHTO T136, respectively.

The specified cement content for construction shall be the cement content of the test specimen which has a weight loss of 14% or less for granular soils, 10% for the more plastic granular and silty soils, and 7% for clay soils after 12 cycles of the durability test.

The compressive strength of soaked specimens should increase with both age and increase in cement content.

CONSTRUCTION METHODS

301-4.1 Weather limitations. The soil-cement base shall not be mixed or placed while the atmospheric temperature is below 40°F (4°C) or when conditions indicate that the temperature may fall below 40°F (4°C) within 24 hours, or when the weather is foggy or rainy, or to soils that are frozen or contain frost, or when the underlying material is frozen.

301-4.2 Equipment. The soil-cement may be constructed with any equipment that will meet the requirements for soil pulverization, cement application, mixing, water application, incorporation of materials, compaction, finishing, and curing specified here.

301-4.3 Preparation. The area to be stabilized shall be graded and shaped to conform to the lines, grades and cross-section shown on the plans. Any soft or yielding areas in the subgrade shall be removed and replaced with acceptable soil and compacted to the specified density.

301-4.4 Pulverization. After completion of moist-mixing, the soil for the base course shall be pulverized so that 100% by dry weight passes a 1-inch (25 mm) sieve and a minimum of 80% passes a No. 4 (4.75 mm) sieve.

301-4.5 Cement application, mixing, and spreading. [Mixing of the soil, cement, and water shall be accomplished by the central-plant-mixed method. The soil, cement, and water shall be mixed in either a batch or continuous-flow type pugmill. The plant shall be equipped with feeding and metering devices that will add the soil, cement, and water into the mixer in the specified quantities. Soil and cement shall be mixed sufficiently to prevent cement balls from forming when water is added. Mixing shall continue until a uniform mixture of soil, cement, and water is obtained.

The mixture shall be hauled to the project in trucks equipped with protective covers. The mixture shall be placed on the moistened subgrade in a uniform layer by an approved spreader. Not more than 30 minutes shall elapse between the placement of soil-cement in adjacent lanes.

The layer of soil-cement shall be uniform in thickness and surface contour and of sufficient quantity that the completed base conforms to

the required line, grade and cross-section. Dumping of the mixture in piles or windrows on the subgrade shall not be permitted.

Not more than 60 minutes shall elapse between the start of moist mixing and the start of compaction of soil-cement.]

In lieu of the central plant mix method, the Engineer may select the mixed-in-place method. If the mixed-in-place method is selected, replace the above paragraph with the following:

301-4.5 Cement application, mixing, and spreading. Mixing of the soil, cement, and water shall be accomplished by the mixed-in-place method. Approximately shape pulverized material to the cross-section indicated. Cement shall be applied so that when uniformly mixed with the soil, the specified cement content is obtained, and a sufficient quantity of cement-treated soil is produced to construct a compacted cement-treated course conforming to the lines, grades, and cross-section indicated. Immediately after the cement has been distributed, it shall be mixed with the soil. The cement shall not be mixed below the required depth. Continue mixing until the cement has been sufficiently blended with the soil to prevent the formation of cement balls when water is applied. Determine moisture content of the mixture immediately after completion of mixing of the soil and cement. Provide water supply and pressure distributing equipment that will permit the application within three (3) hours of all mixing water on the section being processed. Incorporate water in the mix so that concentration of water near the surface does not occur. After all mixing water has been applied, continue mixing until the water is uniformly distributed throughout the full depth of the mixture. Do not apply cement if the soil moisture content exceeds the optimum moisture content specified for the cement-treated mixture. After mixing is complete, the proportions of the mixture shall be in accordance with the approved mix design.

301-4.6 Compaction. Immediately after spreading, the mixture shall be thoroughly compacted. The number, type, and weight of rollers shall be sufficient to compact the mixture to the required density.

The field density of the compacted mixture shall be at least 98% of the maximum density of laboratory prepared specimens compacted and tested in accordance with ASTM D558. The in-place field density shall be determined in accordance with ASTM D1556 [ASTM D2167] [ASTM D6938 using Procedure A, the direct transmission method, and ASTM D6938 shall be used to determine the moisture content of the material. The machine shall be calibrated in accordance with ASTM D6938]. No portion of the mixture shall remain undisturbed during mixing and before compaction for more than 30 minutes. The moisture content of the mixture at the start of compaction shall be within ± 2 percentage points of the optimum moisture content. The optimum moisture content shall be determined in accordance with ASTM D558. All testing shall be done by [the Engineer.] [the Contractor's laboratory in the presence of the Engineer and density test results shall be furnished upon completion to the Engineer for acceptance determination.]

301-4.7 Finishing. Finishing operations shall be completed during daylight hours. The completed base course shall conform to the required lines, grades, and cross-section. If necessary, the surface shall be

lightly scarified to eliminate any imprints made by the compacting or shaping equipment. The surface shall then be recompact to the required density. The finishing operations shall be complete within two (2) hours after completion of mixing operations.

301-4.8 Construction joints. At the end of each day’s construction, a straight transverse construction joint shall be formed by a header or by cutting back into the compacted material to form a true vertical face free of loose material.

The protection provided for construction joints shall permit the placing, spreading, and compacting of base material without injury to the previous work. Where it is necessary to operate or turn any equipment on the completed base course, sufficient protection and cover shall be provided to prevent damage to the finished surface. A supply of mats or wooden planks shall be maintained and used as approved and directed by the Engineer.

Care shall be exercised to ensure thorough compaction of the base material immediately adjacent to all construction joints. When spreading or compacting base material adjacent to a previously constructed lane, care shall be taken to avoid damaging the previous work.

301-4.9 Protection and curing. After the base course has been finished to grade and compacted as specified, it shall be protected against drying for a period of seven (7) days by the application of [bituminous material]. The curing method shall begin as soon as possible, but no later than 24 hours after the completion of finishing operations. The finished base course shall be kept moist continuously until the curing material is placed.

[The bituminous material specified shall be uniformly applied to the surface of the completed base course at the rate of approximately 0.2 gallons per square yard (0.91 l/m²) with approved heating and distributing equipment. The exact rate and temperature of application to give complete coverage without excessive runoff shall be as specified.

At the time the bituminous material is applied, the surface shall be dense, free of all loose and extraneous material, and shall contain sufficient moisture to prevent penetration of the bituminous material. Water shall be applied in sufficient quantity to fill the surface voids immediately before the bituminous curing material is applied.]

The curing material shall be maintained and applied as needed by the Contractor during the 7-day protection period.

Completed portions of the cement-treated soil area may be opened to light traffic, if approved by the Engineer, and provided the curing is not impaired. Sufficient protection from freezing shall be provided to the soil-cement for seven (7) days after its construction and until it has hardened.

The Engineer may revise this paragraph if the use of other curing materials such as moist straw or hay is approved.

301-4.10 Construction limitations. When any of the operations after the application of cement are interrupted for more than 30 minutes or when the uncompacted soil-cement mixture is wetted by rain so that the moisture content is exceeded by a small amount, the decision to reconstruct the portion affected shall rest with the Engineer. If the uncompacted, rain-wetted mixture exceeds the specified moisture content tolerance, the Contractor shall reconstruct the affected portion at the Contractor’s expense the

portion affected. All material along the longitudinal or transverse construction joints not properly compacted shall be removed and replaced, at the Contractor's expense, with properly moistened and mixed soil-cement compacted to specified density.

301-4.11 Surface tests. The finished surface shall not vary more than 3/8 inch (9 mm) when tested with a 12-foot (3.7-m) straightedge applied parallel with, or at right angles to, the longitudinal axis of the pavement. Any variations in excess of this tolerance shall be corrected by the Contractor, at the Contractor's expense, in a manner satisfactory to the Engineer.

301-4.12 Thickness. The completed thickness of the stabilized course shall be within 1/2 inch (12 mm) of the thickness indicated. Where the measured thickness is more than 1/2 inch (12 mm) deficient, such areas shall be corrected by scarifying, adding mixture of proper gradation, reblading, and recompacting as directed. Where the measured thickness is more than 1/2 inch (12 mm) thicker than indicated, the course shall be considered as conforming to the specified thickness requirements. Average job thickness shall be the average of all thickness measurements taken for the job, but shall be within 1/4 inch (6 mm) of the thickness indicated. The thickness of the stabilized course shall be measured at intervals which ensure one measurement for each [500] [] square yards ([400] [] m²) of stabilized course. Measurements shall be made in 3-inch (75 mm) diameter test holes penetrating the stabilized course. Where the average thickness shown by the measurements made in one day's construction is not within the tolerance given, the Engineer shall evaluate the area and determine if, in the Engineer's opinion, it shall be reconstructed at the Contractor's expense or the deficiency deducted from the total material in place.

301-4.13 Maintenance. The Contractor shall be required to maintain, at the Contractor's expense, the entire base course within the limits of the contract in a condition satisfactory to the Engineer until all the work has been completed. Maintenance shall include immediate repairs of any defects that may occur either before or after the cement is applied. The work shall be repeated as often as necessary to keep the area intact at all times. Repairs shall be made to ensure restoration of a uniform surface and the durability of the area repaired. Faulty work shall be replaced for the full depth of treatment. Adding a thin layer of soil-cement to the completed work to remedy low areas shall not be permitted.

METHOD OF MEASUREMENT

301-5.1 The quantity of soil-cement base course shall be the number of square yards (sq m) of completed and accepted base course.

301-5.2 Portland cement shall be measured by the hundredweight.

BASIS OF PAYMENT

301-6.1 Payment shall be made at the contract unit price per square yard (m²) for soil-cement base course. This price shall be full compensation for furnishing all materials, except Portland cement, and for all preparation, delivering, placing, and mixing of these materials; and for all labor, equipment, tools and incidentals necessary to complete the item.

301-6.2 Payment shall be made at the contract unit price per hundredweight (kg) for cement. This price shall be full compensation for furnishing this material and for all delivery, placing, and incorporation of this material, and for all labor, equipment, tools, and incidentals necessary to complete the item.

Payment will be made under:

- | | |
|----------------|--|
| Item P-301-6.1 | Soil-Cement Base Course - per square yard (square meter) |
| Item P-301-6.2 | Portland Cement - per hundredweight (kg) |

TEST REQUIREMENTS

ASTM C136	Standard Test Method for Sieve or Screen Analysis of Fine and Coarse Aggregates
ASTM D558	Standard Test Methods for Moisture-Density (Unit Weight) Relations of Soil-Cement Mixtures
ASTM D1556	Standard Test Method for Density and Unit Weight of Soil In-Place by the Sand Cone Method
AASHTO T135	Standard Method of Test for Wetting-and-Drying Test of Compacted Soil-Cement Mixtures
AASHTO T136	Standard Method of Test for Freezing-and-Thawing Tests of Compacted Soil-Cement Mixtures

MATERIAL REQUIREMENTS

ASTM C150	Standard Specification for Portland Cement
ASTM D977	Standard Specification for Emulsified Asphalt
ASTM D2027	Standard Specification for Cutback Asphalt (Medium-Curing Type)
ASTM D2028	Standard Specification for Cutback Asphalt (Rapid-Curing Type)
ASTM D2397	Standard Specification for Cationic Emulsified Asphalt

END OF ITEM P-301

Item P-304 Cement-Treated Base Course

DESCRIPTION

304-1.1 This item shall consist of a cement-treated base (CTB) course composed of mineral aggregate and cement, uniformly blended and mixed with water. The mixed material shall be spread and shaped with a mechanical spreader, and compacted with rollers in accordance with these specifications and in conformance to the lines, grades, dimensions, and cross-sections shown on the plans.

MATERIALS

304-2.1 Aggregate. The aggregate shall be select granular materials, comprised of crushed or uncrushed gravel and/or stone, or recycled crushed and graded portland cement concrete (PCC). The material shall be free of roots, sod, and weeds. The crushed or uncrushed aggregate shall consist of hard, durable particles of accepted quality, free from an excess of soft, flat, elongated, or disintegrated pieces, and objectionable matter. The method used to produce the aggregate shall ensure the finished product is as consistent as practicable. All inferior quality stones and rocks shall be wasted. If recycled PCC is used as the aggregate, it must meet the requirements for virgin aggregate.

The percentage of wear of the crushed aggregate retained on the No. 4 (4.75-mm) sieve shall not be greater than 40% when tested in accordance with ASTM C131. The sodium sulfate soundness loss shall not exceed 10%, or the magnesium sulfate soundness loss shall not exceed 15%, after five cycles, when tested in accordance with ASTM C88.

When tested in accordance with ASTM C136, the aggregate shall conform to the gradation(s) shown in the table below (titled Aggregate Gradation for CTB Material). An aggregate blend that meets the requirements of the table shall be selected by the Contractor and used in the final mix design. The final aggregate blend shall be well graded from coarse to fine within the limits designated in the table and shall not vary from the low limit on one sieve to the high limit on adjacent sieves, or vice versa. The portion of final aggregate blend passing the No. 40 (425 μ m) sieve shall have a liquid limit of not more than 25 and a plasticity index of not more than six (6) when tested in accordance with ASTM D4318.

Aggregate Gradation for CTB Material

Sieve Size	Percentage by Weight Passing Sieves	
	Gradation A	Gradation B
2 inch (50 mm)	100 ¹	100 ¹
No. 4 (4.75 mm)	45 - 100	55 - 100
No. 10 (1.80 mm)	37 - 80	45 - 100
No. 40 (425 μ m)	15 - 50	25 - 80
No. 80 (210 μ m)	0 - 25	10 - 35

¹ Maximum nominal size of aggregate is 1 inch (25 mm).

All aggregate samples required for testing shall be furnished by the Contractor at the expense of the Contractor. Sampling shall be performed by the Contractor in accordance with ASTM D75.

304-2.2 Cement. Cement shall conform to the requirements of ASTM [____].

**The Engineer shall specify ASTM C150, [Type I] [Type I or II]
[Type II, low alkali] or ASTM C595 [Type IP] [Type IPM].**

304-2.3 Cementitious additives. Pozzolanic and slag cement may be added to the CTB mix. If used, each material must meet the following requirements:

a. Pozzolan. Pozzolanic materials must meet the requirements of ASTM C618, Class F, or N with the exception of loss of ignition, where the maximum shall be less than 6%. [The supplementary optional physical requirements of Table 3 contained in ASTM C618 shall apply.]

b. Slag Cement. Slag shall conform to ASTM C989, Grade 80, 100, or 120.

304-2.4 Water. Water used in mixing or curing shall be potable, clean and free of oil, salt, acid, alkali, sugar, vegetable, or other deleterious substances injurious to the finished product.

304-2.5 Curing materials. [For curing CTB placed under PCC pavement, use white-pigmented, liquid membrane-forming compound conforming to ASTM C309, Type 2, Class A or Class B (wax-based).]

[For curing CTB placed under HMA pavement, use emulsified asphalt conforming to [____].]

304-2.6 Sand blotter. Sand shall be applied, when required, to prevent tracking of the emulsion curing materials. The sand material shall be clean, dry, and non-plastic.]

The Engineer shall specify the type and grade of material to be used and the corresponding application temperature from the table below.

Emulsified Asphalt Curing Material

Type and Grade	Specification	Application Temperature	
Emulsified Asphalt			
RS-1, SS-1	ASTM D977	75 – 130°F	25 - 55°C
CRS-1	ASTM D2397	75 - 130°F	25 - 55°C

COMPOSITION OF MIXTURE

304-3.1 General. The CTB material shall be composed of a mixture of aggregate, cementitious material, and water. Fly ash or slag cement may be used as a partial replacement for Portland cement.

304-3.2 Mix design. The mix design shall use a cement content that, when tested in the laboratory per ASTM D1633, produces a 7-day compressive strength between 400 pounds per square inch (2758 kPa) minimum and 800 pounds per square inch (5516 kPa) maximum. The 28-day strength shall not exceed 1000 pounds per square inch (6895 kPa).

In areas subject to considerable wet-dry and/or freeze-thaw cycles, insert the following statement:

“Wet-dry and/or freeze-thaw tests shall be performed in accordance with AASHTO T135 and American Association of State Highway and Transportation Officials (AASHTO) T136 respectively. The weight loss for each type of test shall not exceed 14% after 12 cycles.”

An estimated cement content may be determined from Table 1, Chapter 2, of the Soil-Cement Laboratory Handbook, published by the Portland Cement Association (PCA). In designing the mixture, cement contents above and below the initial estimated amount should be tested to determine the minimum quantity of cement needed to achieve the required strength (or strength and durability where freeze-thaw resistance is deemed necessary by the Engineer.

The mix design shall include a complete list of materials, including type, brand, source, and amount of cement, fine aggregate, coarse aggregate, water, and cementitious additives.

Should a change be made in aggregate sources or type of cement, or if cementitious additives are added or deleted from the mix, production of the CTB mix shall be stopped and a new mix design shall be submitted.

304-3.3 Submittals. At least 30 days prior to the placement of the CTB, the Contractor shall submit certified test reports to the Engineer for those materials proposed for use during construction, as well as the mix design information for the CTB material. Tests older than six (6) months shall not be used. The certification shall show the ASTM or AASHTO specifications or tests for the material, the name of the company performing the tests, the date of the tests, the test results, and a statement that the material did or did not comply with the applicable specifications. The submittal package shall include the following:

a. Source(s) of materials, including aggregate, cement, cementitious additives, curing, and bond-breaking materials.

b. Physical properties of the aggregates, cement, cementitious additives, curing, and bond-breaking materials.

c. Mix design:

- Mix identification number
- Aggregate gradation
- Cement content
- Water content

- Cementitious materials content

d. Laboratory test results:

- Compaction and strength test procedures
- Laboratory compaction characteristics (maximum dry density and optimum moisture content)
- Compressive strength at seven (7) days
- Wet-dry and/or freeze-thaw weight loss, if applicable

No CTB material shall be placed until the submittal is accepted in writing by the Engineer.

During production, the Contractor shall submit batch tickets for each delivered load.

A test section is not required on jobs less than 3,000 tons.

EQUIPMENT

All equipment necessary to mix, transport, place, compact, and finish the CTB material shall be furnished by the Contractor. The equipment shall be inspected and approved by the Engineer at the job site prior to the start of construction operations.

304-4.1 Mixing. The mixer shall be a batch or continuous-flow type stationary mixer. The mixer shall be equipped with calibrated metering and feeding devices that introduce the aggregate, cement, water, and cementitious additives (if used) into the mixer in the specified quantities. If necessary, a screening device shall be used to remove oversized material greater than 2 inches (50 mm) from the raw aggregate feed prior to mixing.

The Engineer shall have free access to the plant at all times for inspection of the plant's equipment and operation and for sampling the CTB mixture and its components.

304-4.2 Hauling. The mixed CTB material shall be transported from the plant to the job site in trucks or other hauling equipment having beds that are smooth, clean, and tight. Truck bed covers shall be provided and used to protect the CTB from rain. CTB material that becomes wet during transport shall be rejected.

304-4.3 Placing. CTB material shall be placed using a mechanical spreader or a machine capable of receiving, spreading, and shaping the mixture without segregation into a uniform layer or lift. The equipment shall be equipped with a strike-off plate capable of being adjusted to the specified layer thickness. It shall also be equipped with two end gates or cut off plates, so that the CTB may be spread in widths varying up to lane width.

304-4.4 Compaction. Compaction of the CTB layer shall be accomplished using one or a combination of the following pieces of equipment: tamping or grid roller; steel-wheeled roller; vibratory roller; pneumatic-tire roller, and/or vibrating plate compactor (for areas inaccessible to rollers). The number, type, and weight of rollers and/or compactors shall be sufficient to compact the mixture to the required density.

304-4.5 Finishing. Final trimming of the compacted CTB to meet surface requirements shall be accomplished using a self-propelled grader or trimming machine, with a mold board cutting edge, which is at least 12 feet (3.7 m) wide and is automatically controlled by sensors in conjunction with an independent grade control from a taut stringline. Stringline will be required on both sides of the sensor

controls for the pilot lane. For all other lanes, a single stringline on the outside and grade matching with previously completed adjacent lanes is permissible.

CONSTRUCTION METHODS

304-5.1 Weather limitations.

304-5.1.1 Cold weather. Do not construct [base] [subbase] when weather conditions will detrimentally affect quality of the finished course. Apply cement when the ambient temperature is a minimum of 40°F (4°C) and rising. Do not apply cement to aggregate materials that are frozen or contain frost. If ambient temperature falls below 40°F (4°C), protect completed cement-treated areas against freezing. Reprocess, reshape, and recompact damaged material. The CTB shall not be placed on frozen surfaces. Provide drainage to prevent water from collecting or standing on stabilized areas, and on the pulverized, mixed, or partially mixed materials.

304-5.1.2 Rain. The CTB may not be placed when it is raining. If unexpected rain occurs during placement, the layer should be quickly compacted. CTB material that becomes wet by rain during transport or placement shall be evaluated by the Engineer, and may be rejected.

304-5.2 Preparation of underlying course. The underlying course shall be checked by the Engineer before placing and spreading operations are started, to ensure that it is free of any ruts, depressions, or bumps and is finished to the correct grade. Any ruts or soft yielding places shall be corrected before the CTB mixture is placed. The underlying course shall be wetted in advance of placing the CTB layer. The final prepared grade prior to placing the CTB should be in a firm and moist condition free of frost. Use of chemicals to eliminate frost will not be permitted.

To ensure proper drainage, placement of the base shall begin along the centerline of the pavement on a crowned section or on the highest elevation contour of a pavement with variable cross slope.

304-5.3 Grade control. Grade control between the edges of the CTB shall be accomplished at intervals of 50 feet (15 m) or less on the longitudinal grade and at 25 feet (7.5 m) or less on the transverse grade.

304-5.4 Handling, measuring, and batching. The continuous flow central plant site, layout, equipment, and provisions for transporting material shall assure a continuous supply of material to the work. Aggregate stockpiles shall be constructed in a manner that prevents segregation and intermixing of deleterious materials. Aggregates that are segregated or mixed with earth or foreign material will not be accepted.

Continuous flow plants shall be equipped with feeders to automatically and accurately proportion aggregates and bulk cement, by weight. When bulk cement is used, the Contractor shall use a suitable method of handling the cement such as a chute, boot or other device, to prevent loss of cement between the weigh hopper and mixer. The device shall provide positive assurance that the specified cement content is present in each batch.

304-5.5 Mixing. Aggregate and cement may be proportioned either by weight or volume, and shall be mixed sufficiently to prevent the forming of cement balls when water is added. The mixing time shall be that required to secure a well-blended, uniform mixture of aggregate, cement, water, and pozzolan (if used). The minimum mixing time will be based on the uniformity and consistency of the mixture.

304-5.6 Placing. The CTB mixture shall be deposited on the moistened subgrade or subbase and spread into a uniform layer of specified width and thickness that, when compacted and trimmed, conforms to the required line, grade, and cross-section. The Contractor may install the CTB layer in single or multiple compacted lifts; however, each compacted lift must be no greater than 6 inches (150 mm) thick. In multi-lift construction, the surface of the compacted lift shall be kept moist until covered with the next lift.

Successive lifts shall be placed and compacted so that the required total depth of the CTB layer is completed within 12 hours.

A single spreader may be used, provided it is capable of placing a uniform, full-depth layer of material across the full width of the base in one pass. Otherwise, two or more spreaders will be required, and shall be operated so that spreading progresses along the full width of the base in a uniform manner.

304-5.7 Compaction. Immediately upon completion of the spreading operations, the CTB material shall be thoroughly compacted using approved compaction equipment. At the start of compaction, the moisture content shall be within ± 2 percentage points of the specified optimum moisture.

304-5.8 Finishing. After completing compaction, the surface of the CTB layer shall be shaped to the specified lines, grades, and cross-section. During the finishing process, the surface shall be kept moist by means of fog-type sprayers. Compaction and finishing shall produce a smooth, dense surface, free of ruts, cracks, ridges, and loose material. All placement, compaction, and finishing operations shall be completed within two (2) hours from the start of mixing. Material not completed within the 2-hour time limit shall be removed and replaced at the Contractor's expense.

CTB layer limits that extend beyond the edges of the new PCC surface course shall be rolled down or shaped to ensure the drainage is away from the new PCC surface course edge.

304-5.9 Construction joints. At the end of each day's construction, a transverse construction joint shall be formed that is a true vertical face (perpendicular to the centerline) and is free of loose material.

Longitudinal construction joints (parallel to the centerline) shall be formed to a consistent, well-defined vertical edge that is free of loose material. The longitudinal joints shall be located so there is a 2-foot (0.6-m) minimum offset from planned joints in any overlying layer.

While forming construction joints, the Contractor shall make sure the material in the joint area is adequately compacted and that the joints are finished level and even with the remainder of the CTB layer.

304-5.10 Curing. The compacted and finished CTB shall be cured with the approved curing agents as soon as possible and in no case later than two (2) hours after completion of the finishing operations. The layer shall be kept moist using a moisture-retaining cover or a light application of water until the curing material is applied.

[When asphalt emulsion is used as the curing agent, the entire surface of the CTB layer shall be uniformly sprayed with the emulsion at a rate of between 0.15 and 0.30 gallons per square yard (0.7 and 1.4 l/m²); the exact temperature and rate of application being that required to achieve complete and uniform coverage without runoff. Apply sand at [] pounds per square yard (kg/m²) to treated surfaces requiring protection from traffic.]

[When a liquid membrane-forming curing compound is used as the curing agent, the surface of the CTB layer shall be uniformly sprayed with the curing compound at the rate of one gallon (3.8 liters) to not more than 200 square feet (18.6 m²) to obtain a uniform cover over the surface. The spraying equipment shall be of the fully atomizing type equipped with a tank agitator. The curing compound shall be thoroughly and uniformly mixed with the pigment in the storage tank. During application, the compound shall be stirred continuously by mechanical means. Hand spraying of odd widths or shapes and CTB surfaces exposed by the removal of forms is permitted.]

The Engineer shall select the curing method.

The curing seal shall be maintained and protected until the pavement is placed. If the surface of the finished CTB and/or the curing seal becomes damaged, additional curing material shall be applied at the time it is damaged or when the damage is first observed.

304-5.11 Protection. Completed portions of the cement-stabilized area may be opened to local traffic provided the curing process is not impaired and to other traffic after the curing period has elapsed, provided that the cement-stabilized course has hardened sufficiently to prevent surface marring or distortion by equipment or traffic. Do not permit construction equipment on the area during protection and curing periods. Necessary cement and water may be hauled over the area with pneumatic-tired equipment on approval of the Engineer. Protect finished portions of cement stabilized base from traffic of equipment used in constructing adjoining sections in a manner to prevent marring or damaging completed work. The CTB shall also be protected from freezing at all times.

[**304-5.12 Bond-breaker.** When the CTB is to be placed directly beneath PCC, the entire surface of the CTB shall be coated with a de-bonding compound applied in a quality sufficient to prevent bonding of the PCC pavement to the base course. If an impervious membrane or asphalt emulsion is used as a curing material, additional applications of curing materials may be required. The Contractor shall be responsible for selecting the de-bonding compound and determining the necessary application rate. The de-bonding compound shall be approved by the Engineer prior to being incorporated into the work.]

Delete paragraph 304-5.12 if the CTB will not be placed directly beneath PCC.

MATERIAL ACCEPTANCE

304-6.1 Acceptance sampling and testing. All acceptance sampling and testing, with the exception of thickness determination, necessary to determine conformance with the requirements specified in this section will be performed by the Engineer. The Contractor shall provide the required CTB samples during construction for acceptance testing purposes. The samples shall be taken in the presence of the Engineer.

Testing organizations performing these tests shall meet the requirements of ASTM D3666. All test equipment in Contractor-furnished laboratories shall be calibrated by the testing organization prior to the start of operations.

The CTB layer shall be tested for density, thickness, grade, and surface tolerance on a lot basis, with a lot consisting of either (1) one day's production not to exceed 2,000 square yards (1700 sq m), or (2) a half day's production, where a day's production consists of 2,000 to 4,000 square yards (1675 to 3350 m²).

Each lot shall be divided into four equal sublots. Within each subplot, one density test, one thickness measurement, and continuous surface straightedge tests (surface tolerance testing) shall be performed, as described below. Sampling locations shall be determined by the Engineer per ASTM D3665.

If only three sublots are produced, the three sublots shall constitute a complete lot. If one or two sublots are produced for the same reason, they shall be incorporated into the next or previous lot, and the total number of sublots shall be used in the acceptance criteria calculation.

End-of-production sublots (that is, sublots associated with the final placement of CTB for the project and are less than a complete lot) shall be handled as (1) three sublots shall constitute a lot, or (2) one or two sublots shall be incorporated into the previous lot.

304-6.1.1 Density testing. CTB samples shall be taken from each sublot and used to create laboratory test specimens representing the various sublots. The specimens shall be compacted and tested for density and moisture content per ASTM D558. The density for each sublot comprising a lot, shall be used to determine an average density for the lot, which will serve as the basis for acceptance of the lot for density.

Within each sublot in the field, one in-place density test shall be performed in accordance with [ASTM D1556][ASTM D2167][ASTM D6938]. The location of the test shall be randomly selected per ASTM D3665. The in-place density for each sublot comprising the lot shall be averaged and compared with the corresponding average lot density. Acceptance criteria for CTB density are provided in paragraph 304-6.2.1. All testing shall be done by [the Engineer.][the Contractor's laboratory in the presence of the Engineer and density test results shall be furnished upon completion to the Engineer for acceptance determination.]

The Engineer shall select the appropriate ASTM for in-place density determination.

304-6.1.2 Thickness testing. The CTB shall be tested for thickness using the same lot and sublots established for density testing. After three (3) days of curing, one 3-inch (75 mm) diameter core per sublot shall be obtained from a random location, per ASTM D3665. The thickness of each sampled core shall be determined using the caliper measurement procedures provided in ASTM C174. The average thickness for the lot shall be determined using the individual sublot core thicknesses. Acceptance criteria for CTB thickness are provided in paragraph 304-6.2.2. At all locations where cores have been drilled, the resulting core holes shall be filled by the Contractor with CTB or non-shrink grout.

304-6.1.3 Grade testing. The elevations of the finished CTB shall be surveyed every 25 feet (7.5 m) on both sides of the CTB lane as soon as it has hardened sufficiently. Acceptance criteria for CTB grade are provided in paragraph 306-6.2.3.

304-6.1.4 Surface tolerance testing. After the CTB has hardened sufficiently, it shall be tested for surface tolerance with a 12-foot (3.7-m) straightedge or other approved measuring device for tolerances outlined in paragraph 304-6.2.

304-6.2 Acceptance criteria. Acceptance of CTB will be based on density, thickness, grade, and surface tolerance, as described in the paragraphs below.

304-6.2.1 Density requirements. For density, each lot of compacted material will be accepted without adjustment if the average in-place density of the lot is equal to or greater than 98% of the average laboratory density determined for the lot. Each lot of compacted CTB shall be accepted and payment adjusted in accordance with the table below.

Sliding Pay Scale Factors For Density

Average Dry Density (%)	Payment (%)
98.0 and greater	100
97.0 - 97.9	95
96.0 - 96.9	90
95.0 - 95.9	75
Less than 95.0	Reject

If the average density is below 95%, the lot will be rejected and shall be removed and replaced at the Contractor's expense. In multi-layer construction, density shall be tested for each lift, and all lifts within a rejected lot shall be removed and replaced. No payment shall be made for removed lifts. Replacement lifts shall be paid in accordance with this section.

304-6.2.2 Thickness requirements. The completed thickness shall be as shown on the plans. When the average lot thickness is not deficient by more than 1/2 inch (12 mm) from the plan thickness, full payment shall be made. If the average lot thickness is deficient by more than one inch (25 mm), it shall be removed and replaced at the Contractor's expense. When such measurement is deficient by more than 1/2 inch (12 mm) but less than one inch (25 mm) from the plan thickness, one additional core shall be taken at random from each subplot within the lot. The thickness of these additional cores shall be determined as indicated in paragraph 304-6.1.2. A new average lot thickness shall be recomputed based on these additional cores and the original cores taken from each subplot. If the recomputed average lot thickness is not deficient by more than 1/2 inch (12 mm) from the plan thickness, full payment shall be made. If the average lot thickness is deficient by more than 1/2 inch (12 mm) from the plan thickness, the entire lot shall be removed and replaced at the Contractor's expense or shall be permitted to remain in-place at an adjusted payment of 75% of the contract unit price.

When the measured thickness is more than that indicated on the plans, it will be considered as conforming to the requirements, provided the surface of the completed CTB layer is within the established grade and surface tolerance requirements.

304-6.2.3 Grade requirements. When the completed surface is higher than 1/2 inch (12 mm) above the grade shown in the plans, the surface shall be trimmed, at the Contractor's expense, with an approved grinding machine to an elevation that falls within a tolerance of 1/4 inch (6 mm) or less.

304-6.2.4 Surface tolerance requirements. The finished surface shall not vary more than 3/8 inch (9 mm) when tested with a 12-foot (3.7-m) straightedge applied parallel with, or at right angles to, the centerline of the CTB area. Areas in the CTB showing high spots greater than 3/8 inch (9 mm) over 12 feet (3.7 m) shall be marked and immediately trimmed with an approved grinding machine. Such trimming shall be at the Contractor's expense.

METHOD OF MEASUREMENT

304-7.1 Cement-treated base course. The quantity of cement-treated base course will be determined by measurement of the number of square yards (m²) of CTB actually constructed and accepted by the Engineer as complying with the plans and specifications.

BASIS OF PAYMENT

304-8.1 Cement-treated base course. Payment shall be made at the contract unit price per square yard (m^2) for cement-treated base course. This price shall be full compensation for furnishing all materials, including cement; for all preparation, manipulation, placing, and curing of these materials; and for all labor, equipment, tools, and incidentals necessary to complete the item.

Each lot of CTB material will be accepted for density at the full contract price adjusted in accordance with paragraph 304-6.2.1.

Item P-304-8.1 Payment will be made for cement-treated base course - per [square yard (m^2)].

TESTING REQUIREMENTS

ASTM C88	Standard Test Method for Soundness of Aggregates by Use of Sodium Sulfate or Magnesium Sulfate
ASTM C131	Standard Test Method for Resistance to Degradation of Small-Size Coarse Aggregate by Abrasion and Impact in the Los Angeles Machine
ASTM C136	Standard Test Method for Sieve or Screen Analysis of Fine and Coarse Aggregate
ASTM C174	Standard Test Method for Measuring Thickness of Concrete Elements Using Drilled Concrete Cores
ASTM D75	Standard Practice for Sampling Aggregates
ASTM D558	Standard Test Methods for Moisture-Density (Unit Weight) Relations of Soil-Cement Mixtures
ASTM D1556	Standard Test Method for Density and Unit Weight of Soil in Place by the Sand-Cone Method
ASTM D1633	Standard Test Methods for Compressive Strength of Molded Soil-Cement Cylinders
ASTM D2167	Standard Test Method for Density and Unit Weight of Soil in Place by the Rubber Balloon Method
ASTM D6938	Standard Test Method for In-Place Density and Water Content of Soil and Soil-Aggregate by Nuclear Methods (Shallow Depth)
ASTM D3665	Standard Practice for Random Sampling of Construction Materials
ASTM D3666	Standard Specification for Minimum Requirements for Agencies Testing and Inspecting Road and Paving Materials
ASTM D4318	Standard Test Methods for Liquid Limit, Plastic Limit, and Plasticity Index of Soils
AASHTO T135	Standard Method of Test for Wetting-and-Drying Test of Compacted Soil-Cement Mixtures
AASHTO T136	Standard Method of Test for Freezing-and-Thawing Tests of Compacted Soil-Cement Mixtures

MATERIAL REQUIREMENTS

ASTM C150	Standard Specification for Portland Cement
ASTM C309	Standard Specification for Liquid Membrane-Forming Compounds for Curing Concrete
ASTM C595	Standard Specification for Blended Hydraulic Cements
ASTM C618	Standard Specification for Coal Fly Ash and Raw or Calcined Natural Pozzolan for Use in Concrete
ASTM C989	Standard Specification for Slag Cement for Use in Concrete and Mortars
ASTM D977	Standard Specification for Emulsified Asphalt
ASTM D2397	Standard Specification for Cationic Emulsified Asphalt

END OF ITEM P-304

Intentionally Left Blank

Item P-306 Lean Concrete Base Course

DESCRIPTION

306-1.1 This item shall consist of a subbase material, herein termed lean concrete, that is composed of aggregate and cement uniformly blended together and mixed with water. The mixture may also include approved cementitious additives, in the form of fly ash or slag, and chemical admixtures. The mixed material shall be spread, shaped, and consolidated using concrete paving equipment in accordance with these specifications and in conformity to the lines, grades, dimensions, and typical cross-sections shown on the plans.

MATERIALS

306-2.1 Aggregate. The coarse aggregate fraction shall be crushed stone, crushed or uncrushed gravel, crushed and adequately seasoned, air-cooled, iron blast furnace slag, crushed recycled concrete, or a combination thereof. The fine aggregate fraction may be part of the natural aggregate blend as obtained from the borrow source or it may be natural sand that is added at the time of mixing.

The aggregate shall consist of hard, durable particles, free from an excess of flat, elongated, soft, or disintegrated pieces, or objectionable matter such as roots, sod, weeds, organic impurities, etc. A flat particle is one having a ratio of width to thickness greater than five; an elongated particle is one having a ratio of length to width greater than five.

The design aggregate blend shall conform to the gradation(s) shown in the table below, when tested in accordance with ASTM C136. The aggregates shall be within the limits for deleterious material contained in ASTM C33 Table 3 type 4S. Aggregates shall not contain any substance which may be deleteriously reactive with the alkalis in the cement, except as permitted in ASTM C33.

Aggregate Gradation for Lean Concrete

Sieve Size (square openings)	Percentage by Weight Passing Sieves
	*
2 inch (50 mm)	*
1-1/2 inch (38 mm)	*
1 inch (25 mm)	*
3/4 inch (19 mm)	*
No. 4 (4.75 mm)	*
No. 40 (425 µm)	*
No. 200 (75 µm)	*

The Engineer shall select the specified gradation from table below. Gradation may be modified to suit locally available aggregate or recycled portland cement concrete (PCC) pavement, provided the strength requirements are met.

Aggregate Gradation For Lean Concrete

Sieve Size (square openings)	Percentage by Weight Passing Sieves	
	Gradation A	Gradation B
2 inch (50 mm)	--	--
1-1/2 inch (38 mm)	100	--
1 inch (25 mm)	70 - 95	100
3/4 inch (19 mm)	55 - 85	70 - 100
No. 4 (4.75 mm)	30 - 60	35 - 65
No. 40 (425 µm)	10 - 30	15 - 30
No. 200 (75 µm)	0 - 15	0 - 15

306-2.2 Cement. Cement shall conform to the requirements of ASTM [___].

The Engineer shall specify ASTM C150, Type(s) [I] [II] [I or II]
[Type III, for high early strength concrete]. [ASTM C595,
Type IS or IP].

Type II cement shall be specified in areas with a history of sulfate reaction with the selected aggregate.

306-2.3 Cementitious additives. Pozzolanic and slag cement may be added to the lean concrete mix. If used, each material must meet the following requirements:

a. Pozzolan. Pozzolanic materials must meet the requirements of ASTM C618, Class N, F, or C Fly Ash, except the loss on ignition shall be 6% for Class N and F.

b. Ground granulated blast furnace slag (slag cement). Slag shall conform to ASTM C989, Grade 120.

306-2.4 Chemical admixtures. The Contractor shall submit certificates indicating that the material to be furnished meets all the requirements listed below. In addition, the Engineer may require the Contractor to submit complete test data showing that the material to be furnished meets all the requirements of the cited specification.

a. Air-entraining admixtures. Air-entraining admixtures shall meet the requirements of ASTM C260.

b. Water-reducing admixtures. Water-reducing, set-controlling admixtures shall meet the requirements of ASTM C494, Type A, D, E, F, or G. Water-reducing admixtures shall be added at the mixer separately from air-entraining admixtures in accordance with the manufacturer's printed instructions. The air entrainment agent and the water-reducing admixture shall be compatible.

c. Retarding admixtures. Retarding admixtures shall meet the requirements of ASTM C494, Type B or D.

d. Accelerating admixtures. Accelerating admixtures shall meet the requirements of ASTM C494, Type C.

306-2.5 Water. Water used in mixing or curing shall be potable, clean and free of oil, salt, acid, alkali, sugar, vegetable, or other deleterious substances injurious to the finished product.

306-2.6 Curing materials. For curing lean concrete, use white-pigmented, liquid membrane-forming compound conforming to ASTM C309, Type 2, Class B, or clear or translucent Type 1-D, Class B with white fugitive dye.

The Engineer may add additional curing materials. Modify paragraph 306-5.13 accordingly.

COMPOSITION OF MIXTURE

306-3.1 Mix design. The lean concrete mix design shall be based on trial batch results conducted in the laboratory. The lean concrete shall be designed to meet the criteria in this section.

306-3.1.1 Compressive strength. Compressive strength shall not be less than 500 pounds per square inch (3,445 kPa) nor greater than 800 pounds per square inch (5,516 kPa) at seven (7) days. Three-day and seven-day strengths shall be taken as the average of two compressive strength test results. All compressive strength specimens shall be prepared and tested in accordance with ASTM C192 and ASTM C39, respectively.

If the 3-day strength is greater than 500 pounds per square inch (3,447 kPa), the Contractor shall construct transverse joints in the lean concrete layer in accordance with paragraph 306-5.10.2.

In locations subject to freeze-thaw cycles, insert the following “The freeze-thaw weight loss shall not exceed 14% when tested in accordance with American Association of State Highway and Transportation Officials (AASHTO) T136.”

If there is a change in aggregate sources, type of cement used, or pozzolanic materials, a new mix design must be submitted.

306-3.1.2 Air content. The percentage of air entrainment shall be 6%, ±1/2%. Air content shall be determined by testing in accordance with ASTM C231 for gravel and stone coarse aggregate and ASTM C173 for slag and other highly porous coarse aggregate.

306-3.2 Submittals. At least 30 days prior to the placement of the lean concrete, the Contractor shall submit certified test reports to the Engineer for those materials proposed for use during construction, as well as the mix design information for the lean concrete material. Tests older than six (6) months shall not be used. The certification shall show the appropriate ASTM or AASHTO specifications or tests for the material, the name of the company performing the tests, the date of the tests, the test results, and a

statement that the material did or did not comply with the applicable specifications. The submittal package shall include the following:

- a. Sources of materials, including aggregate, cement, admixtures, and curing and bond breaking materials.
- b. Physical properties of the aggregates, cement, admixtures, curing and bond breaking materials.
- c. Mix design:
 - Mix identification number
 - Weight of saturated surface-dry aggregates (fine and coarse)
 - Combined aggregate gradation
 - Cement factor
 - Water content
 - Water-cementitious material ratio (by weight)
 - Volume of admixtures and yield for one cubic yard (cubic meter) of lean concrete
- d. Laboratory test results:
 - Slump
 - Air content
 - Compressive strength at 3, 7, and 28 days (average values)
 - Freeze-thaw weight loss (when applicable)

In addition, where applicable, the Contractor shall submit for approval by the Engineer a jointing plan for transverse joints in the lean concrete layer.

During production, the Contractor shall submit batch tickets for each delivered load.

EQUIPMENT

306-4.1 All equipment necessary to mix, transport, place, compact, and finish the lean concrete material shall be furnished by the Contractor. The equipment shall be subject to inspection and approval by the Engineer.

306-4.2 Mixing. Lean concrete may be mixed in a stationary mixer (central batch plant or at the site), or in a truck mixer. The mixer type and capacity shall be inspected and approved by the Engineer before production begins. Each mixer shall have attached in a prominent place a manufacturer's nameplate showing the capacity of the drum in terms of volume of mixed concrete and the speed of rotation of the mixing drum or blades.

306-4.2.1 Stationary plant mixer. The batch plant and equipment shall conform to the requirements of ASTM C94. The Engineer shall have unrestricted access to the plant at all times for inspection of the plant's equipment and operation and for sampling the lean concrete mixture and its components.

The mixers shall be examined daily for changes in condition due to accumulation of hard concrete or mortar or wear of blades.

306-4.2.2 Truck mixers. Truck mixers used for mixing lean concrete shall conform to the requirements of ASTM C94. Lean concrete may be entirely mixed in a truck mixer or partially mixed in a stationary mixer with mixing completed in a truck mixer. Truck mixers shall be equipped with an accurate

continuous registering electronically or mechanically activated revolution counter, to verify the number of drum revolutions.

306-4.3 Hauling. Mixed lean concrete shall be hauled from the stationary plant to the job site in a truck agitator, a truck mixer operating at agitating speed, or a non-agitating truck. All equipment shall conform to the requirements of ASTM C94. When truck mixers are used to mix lean concrete, they may be transported to the job site in the same truck operating at agitating speeds, truck agitators, or a non-agitating truck. The bodies of non-agitating trucks shall be smooth, metal containers and shall be capable of discharging the concrete at a controlled rate without segregation.

306-4.4 Placing and finishing.

306-4.4.1 Forms. Straight side forms shall be made of steel and shall be furnished in sections not less than 10 feet (3 m) in length. Forms shall have a depth equal to the pavement thickness at the edge. Flexible or curved forms of proper radius shall be used for curves of 100 feet (30 m) radius or less. Forms shall be provided with adequate devices for secure settings so that when in place they will withstand, without visible spring or settlement, the impact and vibration of the consolidating and finishing equipment. Forms with battered top surfaces and bent, twisted or broken forms shall not be used. Built-up forms shall not be used, except as approved by the Engineer.

The top face of the form shall not vary from a true plane more than 1/8 inch (3 mm) in 10 feet (3 m), and the upstanding leg shall not vary more than 1/4 inch (6 mm). The forms shall contain provisions for locking the ends of abutting sections together tightly for secure setting. Wood forms may be used under special conditions, when accepted by the Engineer.

306-4.4.2 Fixed form or slip-form pavers. Lean concrete can be placed using fixed form or slip-form pavers. The paver shall be fully energized, self-propelled and capable of spreading, consolidating, and finishing the lean concrete material, true to grade, tolerances, and cross-sections. The paver shall be capable of finishing the surface so that hand finishing is not required. The paver shall be of sufficient weight and power to construct the maximum specified concrete paving lane width, at adequate forward speed, without transverse, longitudinal or vertical instability or without displacement. The slip-form paver shall be equipped with electronic or hydraulic horizontal and vertical control devices using guide wires or stringlines on both sides of the machine. Slope control will not be allowed.

a. Concrete pavers. Concrete pavers are approved as paver-finishing machines for lean concrete, providing they are capable of handling the amount of lean concrete required for the full-lane width specified, and consolidating the lean concrete full depth. A concrete paver is a power-driven machine with augers, strike-off and tamper bars ahead of a pan screed, with at least one trailing oscillating screed or belt finisher.

b. Bridge deck pavers. Bridge deck pavers are approved as paver-finishing machines for lean concrete, providing they are capable of handling the amount of lean concrete required for the full-lane width specified, and consolidating the lean concrete full depth. A bridge deck paver is an automatic truss paving machine, with paving carriage that strikes off, vibrates, paves, and textures the lean concrete with augers, internal vibration, paving rollers, and drag pan.

Lean concrete is a weak concrete mix. It should be placed with pavers suitable for paving concrete pavements. Rotating pipe and tube floats are not suitable for this type of pavement.

306-4.5 Consolidation. For side-form construction, vibrators may be either the surface pan type for pavements less than 8 inches (200 mm) thick or the internal type with either immersed tube or multiple spuds for the full width of the slab. They may be attached to the spreader or the finishing machine, or they may be mounted on a separate carriage. They shall not come in contact with the joint, subgrade, or side forms.

For slip-form construction, the paver shall vibrate the lean concrete for the full width and depth of the strip of pavement being placed. Vibration shall be accomplished by internal vibrators.

The number, spacing, frequency, and eccentric weights of vibrators shall be provided to achieve acceptable consolidation without segregation and finishing quality. Adequate power to operate all vibrators at the weight and frequency required for a satisfactory finish shall be available on the paver. The internal vibrators may be supplemented by vibrating screeds operating on the surface of the lean concrete. The Contractor shall constantly monitor the frequency of each of the individual vibrators and shall provide constant monitoring of the consolidation process to avoid honeycombing or segregation. Areas that are visually determined to be honeycombed or segregated shall be corrected at the Contractor's expense.

The vibrators and tamping elements shall be automatically controlled so that they stop operation as forward motion ceases. Any override switch shall be of the spring-loaded, momentary-contact type.

Hand held vibrators may be used in irregular areas.

306-4.6 Jointing. The Contractor shall provide sawing equipment adequate in number of units and power to produce contraction or construction joints of the required dimensions as shown on the plans. The Contractor shall provide at least one standby saw in good working order and a supply of saw blades at the site of the work at all times during sawing operations.

CONSTRUCTION METHODS

306-5.1 Weather limitations.

306-5.1.1 Cold weather. Unless authorized by the Engineer, the temperature of the mixed lean concrete shall not be less than 50°F (10°C) at the time of placement. In addition, the lean concrete shall not be placed when the ambient temperature is below 40°F (4°C) or when conditions indicate that the temperature may fall below 35°F (2°C) within 24 hours. Under no circumstances shall the lean concrete be placed on frozen underlying courses or mixed when the aggregate is frozen.

When mixing and placing is authorized during cold weather, the Engineer may require the water and/or the aggregates to be heated to not less than 70°F (21°C) nor more than 150°F (66°C). The aggregates may be heated by either steam or dry heat prior to being placed in the mixer. The apparatus used shall heat the mass uniformly and shall be arranged to preclude the possible occurrence of overheated areas which might be detrimental to the materials. The Contractor shall adhere to the practices recommended in American Concrete Institute (ACI) 306R, Guide to Cold Weather Concreting.

306-5.1.2 Hot weather. To prevent rapid drying of newly constructed lean concrete, the lean concrete temperature from initial mixing through final cure shall not exceed 90°F (32°C). The aggregates and/or mixing water shall be cooled as necessary to maintain the lean concrete temperature at or not more than the specified maximum. Ice or ice water may be substituted for the mixing water for this purpose. The Contractor shall adhere to the practices recommended in ACI 305R.

In addition, during periods of warm weather when the maximum daily air temperature exceeds 85°F (30°C), the forms and/or the underlying material shall be sprinkled with water immediately before placing the lean concrete.

306-5.1.3 Rain. All mixing and batching operations should be halted during rain showers and any plastic lean concrete placed should be covered immediately. The lean concrete shall be kept covered with plastic sheeting or other waterproof material until such time that the rain does not make any surface indentation on the lean concrete layer. Areas damaged by rain shall be refinished or replaced.

306-5.2 Form setting. Forms shall be set sufficiently in advance of the lean concrete placement to ensure continuous paving operation. After the forms have been set to correct grade, the grade shall be thoroughly tamped, either mechanically or by hand, at both the inside and outside edges of the base of the forms. Forms shall be staked into place with not less than three (3) pins for each 10 feet (3 m) section. A pin shall be placed at each side of every joint.

Form sections shall be tightly locked and shall be free from play or movement in any direction. The forms shall not deviate from true line by more than 1/4 inch (6 mm) at any joint. Forms shall be so set that they will withstand, without visible spring or settlement, the impact and vibration of the consolidating and finishing equipment. Forms shall be cleaned and oiled prior to the placing of lean concrete.

The alignment and grade elevations of the forms shall be checked and corrections made by the Contractor immediately before placing the lean concrete. When any form has been disturbed or any grade has become unstable, the form shall be reset and rechecked.

306-5.3 Preparation of underlying course. The underlying course shall be checked by the Engineer before placing and spreading operations are started, to ensure it is free of any ruts, depressions, or bumps and is finished to the correct grade. Any ruts or soft yielding places in the underlying course shall be corrected at the Contractor's expense before the lean concrete mixture is placed. The underlying course should be wetted down in advance of placing the lean concrete to ensure a firm, moist condition at the time of lean concrete placement. The underlying course shall be protected from frost. Usage of chemicals to eliminate frost is not permissible.

306-5.4 Grade control. Grade control between the edges of the pavement shall be accomplished at intervals of 50 feet (15 m) or less on the longitudinal grade and at 25 feet (7.5 m) or less on the transverse grade. To protect the underlying course and ensure proper drainage, the lean concrete paving shall begin along the centerline of the pavement on a crowned section or on the greatest contour elevation of a pavement with variable cross slope.

306-5.5 Handling, measuring, and batching material. The batch plant site, layout, equipment, and provisions for transporting material shall assure a continuous supply of material to the work. Stockpiles shall be constructed in a manner that prevents segregation and intermixing of deleterious materials.

Aggregates that have become segregated or mixed with earth or foreign material shall not be used. All aggregates produced or handled by hydraulic methods, and washed aggregates, shall be stockpiled or binned for draining at least 12 hours before being batched. Rail shipments requiring more than 12 hours transit will be accepted as adequate binning if the car bodies permit free drainage.

Batching plants shall be equipped to proportion aggregates and bulk cement, by weight, automatically using approved interlocked proportioning devices. When bulk cement is used, the Contractor shall use a suitable method such as a chute, boot or other device approved by the Engineer to handle the cement between the weighing hopper and the transporting container or into the batch itself for transportation to the mixer, to prevent loss of cement. The device shall provide positive assurance that each batch has the specified cement content.

306-5.6 Mixing. All lean concrete shall be mixed and delivered to the site per the requirements of ASTM C94. The mixing time should be adequate to produce lean concrete that is uniform in appearance, with all ingredients evenly distributed. Mixing time shall be measured from the time all materials are emptied into the drum (provided all the water is added before one-fourth the preset mixing time has elapsed) and continues until the time the discharge chute is opened to deliver the lean concrete.

If mixing in a plant, the mixing time shall not be less than 50 or greater than 90 seconds. If mixing in a truck, the mixing time shall not be less than 70 or more than 125 truck-drum revolutions at a mixing speed of not less than six (6) or more than 18 truck-drum revolutions per minute.

Re-tempering lean concrete by adding water or by other means will not be permitted, except when lean concrete is delivered in truck mixers. With truck mixers, additional water may be added to the batch materials and additional mixing performed to allow proper placement of the material, provided (a) the addition of water is performed within 45 minutes after the initial mixing operations and (b) the slump and water/cementitious ratio specified in the mix design is not exceeded.

306-5.7 Hauling. The elapsed time from the addition of cementitious material to the mix until the lean concrete is deposited in place at the work site shall not exceed 45 minutes when the concrete is hauled in nonagitating trucks, or 90 minutes when it is hauled in truck mixers or truck agitators.

306-5.8 Placing, consolidating, and finishing. Prior to placement of the lean concrete layer, the prepared underlying course shall be moistened with water, without saturating, to prevent rapid loss of moisture from the lean concrete. In cold weather, the underlying course shall be protected so that it will be entirely free of frost when lean concrete is placed.

The Contractor has the option of side-form or slip-form paving. Either option shall require the hauled lean concrete material to be discharged onto the prepared underlying course such that segregation of the mix is minimized and minimum handling of the mix is needed. The lean concrete shall be placed continuously at a uniform rate without unscheduled stops except for equipment failure or other emergencies. Avoid contamination of plastic lean concrete with foreign material on construction equipment, workman's footwear, or any other sources. Lean concrete shall not be mixed, placed, or finished when the natural light is insufficient, unless an adequate artificial lighting system is provided.

306-5.8.1 Side-form construction. For side-form placement, the Contractor shall verify the elevations of the fixed forms so the thickness and finished grade of the lean concrete layer will be in accordance with the requirements of the project plans and specifications. The lean concrete shall be spread uniformly between the forms immediately after it is placed using a spreading machine. Necessary hand spreading shall be done with shovels. Rakes shall not be allowed for spreading lean concrete.

The spreading shall be followed immediately by thorough consolidation using vibrating screeds or spud vibrators. Vibrators may be external or internal type, depending on the thickness of the lean concrete layer. The surface vibrators may be attached to the spreader or they may be mounted on a separate carriage. They shall not come in contact with the joint, subgrade, or side forms. When spud vibrators are used, the lean concrete shall be thoroughly consolidated against and along the faces of all forms and previously placed lean concrete. Vibrators shall not be permitted to come in contact with a joint assembly, the grade, or a side form. In no case shall the vibrator be operated longer than 20 seconds in any one location, nor shall the vibrators be used to move the lean concrete.

Hand finishing will not be permitted except in areas where the mechanical finisher cannot operate.

306-5.8.2 Slip-form construction. For slip-form construction, the Contractor shall verify the elevations of the guide wires controlling slip-form pavers such that the thickness and finished grade of the lean concrete will be in accordance with the requirements of the project plans and specifications. The slip-form paver should spread, consolidate, and shape the freshly placed lean concrete in one complete pass of the machine. The machine shall vibrate and finish the lean concrete for the full width and depth of the layer.

306-5.9 Final finishing. Final finishing shall be accomplished while the lean concrete is still in the plastic state. Limited surface refinishing by hand is acceptable to meet the grade and surface tolerance established in paragraphs 306-6.2.3 and 306-6.2.4, after strike off and consolidation.

If the overlying layer is to be PCC pavement, the surface of the lean concrete shall not be textured. If the overlying layer is to be HMA pavement, and if the bond between the HMA layer and the lean concrete is

considered important for pavement performance, tining or scarifying the surface to provide a coarse texture may be permitted.

306-5.10 Joints. Joints shall be constructed as shown on the plans.

306-5.10.1 Construction joints. Locate all longitudinal and transverse construction joints as shown on the plans. If longitudinal joints are not shown, locate longitudinal joints within 6 inches (150 mm) from planned joints in the PCC to be placed over the lean concrete.

306-5.10.2 Contraction joints. If required by paragraph 306-3.1.1 or if shown on the plans, transverse contraction joints shall be constructed by sawing the hardened lean concrete to a depth of at least one-third the thickness of the lean concrete base. These joints shall match within 3 inches (75 mm) the planned joints of the overlying concrete surface.

The Engineer should include a note or detail on the plans when joints are required due to excessive strength or otherwise.

306-5.10.3 Concrete saws. When sawing of joints are specified, the Contractor shall provide sawing equipment adequate in number of units and power to complete the sawing to the required dimensions and at the required rate. The Contractor shall provide at least one standby saw in good working order. An ample supply of saw blades shall be maintained at the site of the work at all times during sawing operations. The Contractor shall provide adequate artificial lighting facilities for night sawing. All equipment shall be on the job at all times during lean concrete placement.

306-5.11 Curing. Immediately after the finishing operations are complete and within two (2) hours of placement of the lean concrete, the entire surface and edges of the newly placed lean concrete shall be sprayed uniformly with white pigmented, liquid membrane forming curing compound. The layer should be kept moist using a moisture-retaining cover or a light application of water until the curing material is applied. The curing compound shall not be applied during rainfall.

Excessive delays in applying the curing compound can result in uncontrolled shrinkage cracking, which can reflect into the overlying pavement over time.

The curing material shall be applied at a maximum rate of 200 square feet per gallon (5.0 m²/l) using pressurized mechanical sprayers. The spraying equipment shall be a fully atomizing type equipped with a tank agitator. At the time of use, the curing compound in the tank shall be thoroughly and uniformly mixed with the pigment. During application the curing compound shall be continuously stirred by mechanical means.

Hand spraying of odd widths or shapes and lean concrete surfaces exposed by the removal of forms is permitted.

If the film of curing material becomes damaged from any cause, including sawing operations, within the required 7-day curing period or until the overlying course is constructed, the damaged portions shall be repaired immediately with additional compound or other approved means as quickly as practical.

Edges of the lean concrete layer shall be sprayed with curing compound immediately following placement with slip-form pavers or when side-forms are removed.

306-5.11.1 Curing in cold weather. The lean concrete shall be maintained at a temperature of at least 50°F (10°C) during curing. Cover lean concrete and provide with a source of heat sufficient to maintain 50°F (10°C) minimum while curing. The Contractor shall adhere to the practices recommended in ACI 306R. The Contractor shall be responsible for the quality and strength of the lean concrete placed during cold weather, and any lean concrete injured by frost action shall be removed and replaced at the Contractor's expense.

306-5.11.2 Curing in hot weather. Lean concrete temperature from initial mixing through final cure shall not exceed 90°F (32°C). Shade the fresh lean concrete and start curing as soon as the surface is sufficiently hard to permit curing without damage. The Contractor shall adhere to the practices recommended in ACI 305R.

306-5.12 Protection. The Contractor shall protect the lean concrete from injurious action by sun, rain, flowing water, frost, or mechanical injury. Protect lean concrete surfaces from foot and vehicular traffic and other sources of abrasion for a minimum of 72 hours. The Engineer shall decide when the pavement shall be opened to traffic. Traffic shall not be allowed on the pavement until test specimens made per ASTM C31 have attained a compressive strength of 350 psi (2,413 kPa) when tested per ASTM C39. The Contractor shall maintain continuity of applied curing method for the entire curing period.

306-5.13 Bond-breaker. When the lean concrete is placed directly beneath PCC pavement, a bond-breaker shall be used. The entire surface of the lean concrete shall be coated with a de-bonding compound applied in a sufficient quantity to prevent bonding between the PCC pavement and the lean concrete. The Contractor shall be responsible for selecting the de-bonding compound and determining the appropriate application rate. This application shall be made at least eight (8) hours and not more than 24 hours before placement of the PCC pavement. If an impervious membrane is used as a bond breaker, a second application of curing materials is required and shall be placed no more than 24 hours prior to placement of the PCC pavement. After application of the bond-breaker coat, traffic will be limited to that required for placement of the PCC pavement.

MATERIAL ACCEPTANCE

306-6.1 Acceptance sampling and testing. All acceptance sampling and testing, with the exception of coring for thickness determination, necessary to determine conformance with the requirements specified in this section will be performed by the Engineer. The Contractor shall provide the required lean concrete samples during construction for acceptance testing purposes. The samples shall be taken in the presence of the Engineer.

The lean concrete layer shall be tested for air content, strength, thickness, grade, and surface tolerance. Sampling and testing for air shall be as specified in paragraph 306-6.1.1. Sampling and testing for strength, thickness, grade, and surface tolerance shall be on a lot basis, with a lot consisting of either: (1) one day's production not to exceed 2,000 square yards (1700 sq m), or (2) a half day's production, where a day's production is expected to consist of between 2,000 and 4,000 square yards (1675 and 3350 m²).

Each lot will be divided into four equal sublots. In the event that only three sublots are produced, the three sublots shall constitute a complete lot. If only one or two sublots are produced, they shall be incorporated into the next lot, and the total number of sublots shall be used in the acceptance plan calculation.

End-of-production sublots (sublots associated with the final placement of lean concrete for the project which are less than a complete lot) shall be handled as (1) three sublots shall constitute a lot, or (2) one or sublots shall be incorporated into the previous lot.

306-6.1.1 Air content testing. Air content tests shall be performed on the first three truckloads of lean concrete produced at the start of operations each day and the first three truckloads produced after any

scheduled or non-scheduled shutdown. Additional tests shall be performed each time a sample is taken for a strength test and when requested by the Engineer.

Air content tests shall be made in accordance with ASTM C231. Air content test results shall be between 4% and 8%.

If the first test on a truckload of lean concrete is not within the specification limits, a second test on the same truckload shall be made. If the second test is within the specification limits, the lean concrete will be accepted with respect to entrained air content. If the second test is not within the specification limits, the truckload shall be rejected.

306-6.1.2 Compressive strength testing. One sample of freshly delivered lean concrete shall be taken from each subplot for compressive strength testing. The lean concrete shall be sampled in accordance with ASTM C172. Sampling locations shall be determined per ASTM D3665.

At least two test cylinders shall be made from each sample per ASTM C31. The 7-day compressive strength of each cylinder shall be determined per ASTM C39.

Since the strength level of lean concrete at an early age is considerably lower than PCC, special care is required in handling test specimens.

The Contractor shall provide adequate facilities for the initial curing of cylinders. During the 24 hours after molding, the temperature immediately adjacent to the specimens must be maintained in the range of 60 to 80°F (16 to 27°C), and loss of moisture from the specimens must be prevented. The specimens may be stored in tightly constructed wooden boxes, damp sand pits, temporary buildings at construction sites, under wet burlap in favorable weather or in heavyweight closed plastic bags, or use other suitable methods, provided the temperature and moisture loss requirements are met.

The compressive strength for each subplot shall be computed by averaging the 7-day compressive strengths of the two test cylinders representing that subplot. The compressive strength of the lot shall be the average compressive strength of the individual sublots comprising the lot.

Specimens that are noticeably defective shall not be considered in the determination of the strength. If the test specimens fail to conform to the requirements for strength, the Engineer shall request changes in the lean concrete mixture to increase the strength to meet the requirements.

If the maximum 7-day compressive strength values exceed the maximum strength requirements when evaluated in accordance with paragraph 306-6-2.1, the Contractor shall propose a jointing plan for approval by the Engineer.

306-6.1.3 Thickness testing. After the lean concrete base has cured for three (3) days, one 4-inch (100 mm) diameter core per subplot shall be obtained per ASTM D3665. The thickness of each sampled core shall be determined using the caliper measurement procedures per ASTM C174. The average thickness for the lot shall be determined using the individual subplot core thicknesses. Acceptance criteria for lean concrete thickness are provided in paragraph 306-6.2.2.

When such measurement is deficient more than 1/2 inch (12 mm) and not more than 1 inch (25 mm) from the plan thickness, two additional cores shall be taken at random and used in determining the average thickness for that lot. The thickness of the cores shall be determined by average caliper measurement of cores tested in accordance with ASTM C174.

At all locations where cores have been drilled, the resulting holes shall be filled with lean concrete or non-shrink grout material, as approved by the Engineer.

306-6.1.4 Grade testing. The elevations of the finished lean concrete shall be surveyed on both sides of the lean concrete lane, every 25 feet (7.5 m).

306-6.1.5 Surface tolerance testing. After the lean concrete has hardened sufficiently, it shall be tested for surface tolerance with a 12 feet (3.7 m) straightedge provided by the Contractor.

306-6.2 Acceptance criteria. Acceptance of lean concrete will be based on compressive strength, thickness, grade, and surface tolerance, as described in the paragraphs below.

306-6.2.1 Compressive strength requirements. The lean concrete shall meet all of the following compressive strength requirements on a lot basis:

- The compressive strength of the lot, tested at seven (7) days, shall be greater than 500 pounds per square inch (3,445 kPa). When a given lot of lean concrete fails to meet the minimum compressive strength requirements, the entire lot shall be replaced at the Contractor's expense.
- Not more than 20% of the individual cylinders in a given lot, tested at seven (7) days, shall have a compressive strength greater than 800 pounds per square inch (5,512 kPa). When greater than 20% of the individual cylinders in a given lot have 7-day compressive strengths in excess of 800 pounds per square inch (5,512 kPa), and transverse joints have not been constructed, a bond-breaker shall be used.

306-6.2.2 Thickness requirements. The completed thickness shall be as shown on the plans. When the average lot thickness is not deficient by more than 1/2 inch (12 mm) from the plan thickness, full payment shall be made. If the lot average thickness is deficient by more than one inch (25 mm), it shall be removed and replaced at the Contractor's expense. When such measurement is deficient more than 1/2 inch (12 mm) and not more than one inch (25 mm) from the plan thickness, one additional core shall be taken at random from each subplot within the lot. The thickness of these additional cores shall be determined as indicated in paragraph 304-6.1.2. A new lot average thickness shall be recomputed based on these additional cores and the original cores taken from each subplot. When the recomputed average lot thickness is not deficient by more than 1/2 inch (12 mm) from the plan thickness, full payment shall be made. If the average lot thickness is deficient by more than 1/2 inch (12 mm) from the plan thickness, the entire lot shall be removed and replaced at the Contractor's expense or shall be permitted to remain in place at an adjusted payment of 75% of the contract unit price.

When the measured thickness is more than that indicated on the plans, it will be considered as conforming to the requirements, provided the surface of the completed lean concrete layer is within the established grade and surface tolerance requirements.

306-6.2.3 Grade requirements. When the completed surface is more than 1/2 inch (12 mm) above the grade shown in the plans, the surface shall be trimmed at the Contractor's expense using an approved grinding machine to an elevation that falls within a tolerance of 1/4 inch (6 mm).

306-6.2.4 Surface tolerance requirements. Surface deviations shall not exceed 3/8 inch (9 mm) from a 12-foot (3.7-m) straightedge laid in any location parallel with or at right angles to the longitudinal axis of the centerline (includes along all edges of the paving lane). Any high spots of more than 3/8 inch (9 mm) in 12-foot (3.7-m) shall be marked and immediately trimmed with an approved grinding machine. If the overlying layer is PCC pavement, the ground surface shall be sprayed with a double application of the curing compound at the specified rate prior to paving.

METHOD OF MEASUREMENT

306-7.1 The quantity of lean concrete will be determined by the number of square yard (m²) of lean concrete actually constructed and accepted by the Engineer as complying with the plans and specifications.

BASIS OF PAYMENT

306-8.1 The accepted quantities of lean concrete will be paid for at the contract unit price per square yard (m^2) for lean concrete base. The price and payment shall be full compensation for furnishing and placing all materials, provided; however, for any pavement found deficient in thickness as specified in paragraph 306-6.2.2, the reduced unit price shall be paid.

Item P-306-8.1 Payment will be made for lean concrete base course - per [square yard (m^2)].

TESTING REQUIREMENTS

ASTM C31	Standard Practice for Making and Curing Concrete Test Specimens in the Field
ASTM C39	Standard Test Method for Compressive Strength of Cylindrical Concrete Specimens
ASTM C136	Standard Test Method for Sieve or Screen Analysis of Fine and Coarse Aggregates
ASTM C172	Standard Practice for Sampling Freshly Mixed Concrete
ASTM C173	Standard Test Method for Air Content of Freshly Mixed Concrete by the Volumetric Method
ASTM C174	Standard Test Method for Measuring Thickness of Concrete Elements Using Drilled Concrete Cores
ASTM C192	Standard Practice for Making and Curing Concrete Test Specimens in the Laboratory
ASTM C231	Standard Test Method for Air Content of Freshly Mixed Concrete by the Pressure Method
ASTM C1260	Standard Test Method for Potential Alkali Reactivity of Aggregates (Mortar-Bar Method)
ASTM C1567	Standard Test Method for Determining the Potential Alkali-Silica Reactivity of Combinations of Cementitious Materials and Aggregates (Accelerated Mortar-Bar Method)
AASHTO T136	Standard Method of Test for Freezing-and-Thawing Tests of Compacted Soil-Cement Mixtures
ASTM D3665	Standard Practice for Random Sampling of Construction Materials

MATERIAL REQUIREMENTS

ACI 305R	Guide to Hot Weather Concreting
ACI 306R	Guide to Cold Weather Concreting
ASTM C33	Standard Specification for Concrete Aggregates
ASTM C94	Standard Specification for Ready-Mixed Concrete
ASTM C150	Standard Specification for Portland Cement
ASTM C260	Standard Specification for Air-Entraining Admixtures for Concrete

ASTM C309	Standard Specification for Liquid Membrane-Forming Compounds for Curing Concrete
ASTM C494	Standard Specification for Chemical Admixtures for Concrete
ASTM C595	Standard Specification for Blended Hydraulic Cements
ASTM C618	Specification for Coal Fly Ash and Raw and Calcined Natural Pozzolans for Use in Concrete
ASTM C989	Standard Specification for Slag Cement for Use in Concrete and Mortars

END OF ITEM P-306

Part 5 – Flexible Surface Courses

Item P-401 Hot Mix Asphalt (HMA) Pavements

This specification contains options for both Marshall and Gyratory Mix Design Methods. The Engineer shall select the options for the selected mix design method.

DESCRIPTION

401-1.1 This item shall consist of pavement courses composed of mineral aggregate and asphalt cement binder (asphalt binder) mixed in a central mixing plant and placed on a prepared course in accordance with these specifications and shall conform to the lines, grades, thicknesses, and typical cross-sections shown on the plans. Each course shall be constructed to the depth, typical section, and elevation required by the plans and shall be rolled, finished, and approved before the placement of the next course.

This specification is intended to be used for the surface course for airfield flexible pavements subject to aircraft loadings of gross weights greater than 12,500 pounds (5670 kg) and is to apply within the limits of the pavement designed for full load bearing capacity.

The dimensions and depth of the “surface course” this specification applies to shall be as defined by the Engineer’s pavement design performed in accordance with advisory circular (AC) 150/5320-6, Airport Pavement Design and Evaluation.

For courses other than the surface course, such as stabilized base courses, binder courses and/or truing and leveling courses; for pavements designed to accommodate aircraft gross weights of 12,500 pounds (5670 kg) or less; and for pavements intended to be used for roads, shoulder pavements, blast pads, and other pavements not subject to full aircraft loading, specification Item P-403 may be used.

State highway department specifications for materials may be used for access roads, perimeter roads, and other pavements not subject to aircraft loading. When state highway specification are approved, include all applicable/approved state specifications in the contract documents. The use of state highway department specifications for airfield pavements subject to aircraft loading by aircraft > 12,500 pounds and less than 60,000 pounds requires a modification to standards in accordance with FAA Order 5100.1.

MATERIALS

401-2.1 Aggregate. Aggregates shall consist of crushed stone, crushed gravel, crushed slag, screenings, natural sand and mineral filler, as required. The aggregates should be free of ferrous sulfides, such as pyrite, that would cause “rust” staining that can bleed through pavement markings. The portion retained on the No. 4 (4.75 mm) sieve is coarse aggregate. The portion passing the No. 4 (4.75 mm) sieve and retained on the No. 200 (0.075 mm) sieve is fine aggregate, and the portion passing the No. 200 (0.075 mm) sieve is mineral filler.

Some aggregates may contain ferrous sulfides and iron oxides which can cause stains on exposed concrete surfaces. In areas where staining has been a problem or is suspected, the Engineer should verify that producers and aggregate suppliers have taken steps to prevent the inclusion of any ferrous sulfides or iron oxides in aggregate to be used in the project.

If there is a concern that these may exist, an indicator to identify staining particles is to immerse the aggregate in a lime slurry. If staining particles are present, a blue-green gelatinous precipitate will form within five (5) to 10 minutes, rapidly changing to a brown color on exposure to air and light. The reaction should be complete in 30 minutes. If no brown gelatinous precipitate forms, there is little chance of reaction in concrete. (Portland Concrete Association, Design and Control of Concrete Mixtures, 15th edition)

a. Coarse aggregate. Coarse aggregate shall consist of sound, tough, durable particles, free from films of matter that would prevent thorough coating and bonding with the bituminous material and free from organic matter and other deleterious substances. The percentage of wear shall not be greater than 40% when tested in accordance with ASTM C131. The sodium sulfate soundness loss shall not exceed 12%, or the magnesium sulfate soundness loss shall not exceed 18%, after five cycles, when tested in accordance with ASTM C88. Clay lumps and friable particles shall not exceed 1.0% when tested in accordance with ASTM C142.

Aggregates with a higher percentage loss of wear or soundness may be specified in lieu of those above, provided a satisfactory service record under similar conditions of service and exposure has been demonstrated.

Aggregate shall contain at least [___] percent by weight of individual pieces having two or more fractured faces and [___] percent by weight having at least one fractured face. The area of each face shall be equal to at least 75% of the smallest midsectional area of the piece. When two fractured faces are contiguous, the angle between the planes of fractures shall be at least 30 degrees to count as two fractured faces. Fractured faces shall be achieved by crushing.

For pavements designed for aircraft gross weights of 60,000 pounds (27200 kg) or more, the Engineer shall specify 75% for two fractured faces and 85% for one fractured face. For pavements designed for aircraft gross weights less than 60,000

pounds (27200 kg), the Engineer shall specify 50% for two fractured faces and 65% for one fractured face.

In areas where slag is not available or desired, the references to it should be deleted from all aggregate paragraphs.

[The aggregate shall not contain more than a total of 8%, by weight, of flat particles, elongated particles, and flat and elongated particles, when tested in accordance with ASTM D4791 with a value of 5:1.] [The aggregate shall not contain more than a total of 20% by weight of flat particles, elongated particles, and flat and elongated particles when tested in accordance with ASTM D4791 with a value of 3:1.]

The Engineer may specify ASTM D4791 with a ratio of 5:1 or 3:1. Delete the statement for the ratio not selected.

[Slag shall be air-cooled, blast furnace slag, and shall have a compacted weight of not less than 70 pounds per cubic foot (1.12 mg/cubic meter) when tested in accordance with ASTM C29.]

b. Fine aggregate. Fine aggregate shall consist of clean, sound, tough, durable, angular shaped particles produced by crushing stone, slag, or gravel that meets the requirements for wear and soundness specified for coarse aggregate. The aggregate particles shall be free from coatings of clay, silt, or other objectionable matter.

The fine aggregate, including any blended material for the fine aggregate, shall have a plasticity index of not more than six (6) and a liquid limit of not more than 25 when tested in accordance with ASTM D4318.

The soundness loss shall not exceed 10% when sodium sulfate is used or 15% when magnesium sulfate is used, after five cycles, when tested per ASTM C88.

Clay lumps and friable particles shall not exceed 1.0%, by weight, when tested in accordance with ASTM C142.

Natural (non-manufactured) sand may be used to obtain the gradation of the aggregate blend or to improve the workability of the mix. The amount of sand to be added will be adjusted to produce mixtures conforming to requirements of this specification. [The fine aggregate shall not contain more than 15% natural sand by weight of total aggregates.] If used, the natural sand shall meet the requirements of ASTM D1073 and shall have a plasticity index of not more than six (6) and a liquid limit of not more than 25 when tested in accordance with ASTM D4318.

The aggregate shall have sand equivalent values of [___] or greater when tested in accordance with ASTM D2419.

The sand equivalent value should be 45, unless local conditions require lower value.

The addition of natural sand to a mix containing all crushed coarse and fine aggregates will normally increase its workability and compactability. However, the addition of excessive amounts of natural sand tends to decrease the stability of the mixture. The requirement for a sand equivalent value of 45 usually limits the use of natural sand; however, the maximum of 15% natural sand may be included for locations where low stabilities are a chronic problem.

c. Sampling. ASTM D75 shall be used in sampling coarse and fine aggregate, and ASTM C183 shall be used in sampling mineral filler.

401-2.2 Mineral filler. If filler, in addition to that naturally present in the aggregate, is necessary, it shall meet the requirements of ASTM D242.

401-2.3 Asphalt cement binder. Asphalt cement binder shall conform to ASTM D6373 Performance Grade (PG) [____]. A certificate of compliance from the manufacturer shall be included with the mix design submittal.

The supplier's certified test report with test data indicating grade certification for the asphalt binder shall be provided to the Engineer for each load at the time of delivery to the mix plant. A certified test report with test data indicating grade certification for the asphalt binder shall also be provided to the Engineer for any modification of the asphalt binder after delivery to the mix plant and before use in the HMA.

The Engineer should use the following guidance in selecting the asphalt cement PG to include in the above paragraph.

- (1) The initial PG asphalt cement binder should be consistent with the recommendations of the applicable State Department of Transportation requirements for Interstate pavement prior to bumping.**

Additional guidance on selecting the asphalt cement binder PG prior to bumping include the following:

- **Asphalt Institute MS-26, The Asphalt Binder Handbook.**
- **The Asphalt Institute's State Binder Specification Database at: http://www.asphaltinstitute.org/public/engineering/state_binder_specs/index.dot.**
- **The Long Term Pavement Performance Binder program at http://www.infopave.com/Page/Index/LTPP_BIND.**

- (2) Using the initial PG selected, apply the applicable grade bump in accordance with the table below; which will determine the PG that will be inserted in the above paragraph.**

Required Grade Bump

Aircraft Gross Weight	High Temperature Adjustment to Binder Grade
	All Pavement Types
≤ 12,500 lbs (5670 kg)	--
< 100,000 lbs (45360 kg)	1 Grade
≥ 100,000 lbs (45360 kg)	2 Grade

Typically, rutting is not a problem on airport pavements. However, at airports with a history of stacking on end of runways and taxiway areas, rutting has occurred due to the slow speed of loading on the pavement. If there has been rutting on the project or it is anticipated that stacking may occur during the design life of the project, then the following grade bumping should be applied for the top 5 inches (125 mm) of paving in the end of runway and taxiway areas: for aircraft tire pressure between 100 and 200 psi (0.7 and 1.4 MPa), increase the high temperature one grade; for aircraft tire pressure greater than 200 psi (1.4 MPa), increase the high temperature two grades. The low temperature grade should remain the same.

PG grades above a -22 on the low end (e.g., PG XX-16 or PG XX-10) are not recommended. Limited experience has shown an increase in block cracking with -16 or -10 grade asphalts.

Typically, when the PG spread between the high and low temperature is 92 or more, the asphalt cement binder has been modified. A PG Plus Test will be required to determine if the asphalt cement binder has been properly modified. Use the PG Plus Test found in the Asphalt Institute's State Binder Specification Database for the project location. When a State does not specify a PG Plus Test, use ASTM D6084 with a minimum elastic recovery of 70%.

401-2.4 Preliminary material acceptance. Prior to delivery of materials to the job site, the Contractor shall submit certified test reports to the Engineer for the following materials:

a. Coarse aggregate:

- (1) Percent of wear
- (2) Soundness
- (3) Clay lumps and friable particles
- (4) Percent fractured faces
- (5) Flat and elongated particles
- [(6) Unit weight of slag]

b. Fine aggregate:

- (1) Liquid limit and Plasticity index
- (2) Soundness
- (3) Clay lumps and friable particles

- (4) Percent natural sand
- (5) Sand equivalent

c. Mineral filler.

d. Asphalt binder. Test results for asphalt binder shall include temperature/viscosity charts for mixing and compaction temperatures.

The certifications shall show the appropriate ASTM tests for each material, the test results, and a statement that the material meets the specification requirement.

The Engineer may request samples for testing, prior to and during production, to verify the quality of the materials and to ensure conformance with the applicable specifications.

401-2.5 Anti-stripping agent. Any anti-stripping agent or additive if required shall be heat stable, shall not change the asphalt cement viscosity beyond specifications, shall contain no harmful ingredients, shall be added in recommended proportion by approved method, and shall be a material approved by the Department of Transportation of the State in which the project is located.

COMPOSITION

401-3.1 Composition of mixture. The HMA mix shall be composed of a mixture of well-graded aggregate, filler and anti-strip agent if required, and asphalt binder. The several aggregate fractions shall be sized, handled in separate size groups, and combined in such proportions that the resulting mixture meets the grading requirements of the job mix formula (JMF).

401-3.2 Job mix formula (JMF). No hot-mixed asphalt (HMA) for payment shall be produced until a JMF has been approved in writing by the Engineer. The asphalt mix-design and JMF shall be prepared by an accredited laboratory that meets the requirements of paragraph 401-3.4. The HMA shall be designed using procedures contained in [___].

For Marshall Method, insert:

Asphalt Institute MS-2 Mix Design Manual, 7th Edition. ASTM D6926 shall be used for preparation of specimens using the manually held and operated hammer for the mix design procedure. ASTM D6927 shall be used for testing for Marshall stability and flow.

If material variability exceeds the standard deviations indicated, the JMF and subsequent production targets shall be based on a stability greater than shown in Table 1 and the flow shall be targeted close to the mid-range of the criteria in order to meet the acceptance requirements.

The design criteria in Table 1 are target values necessary to meet the acceptance requirements contained in paragraph 401-5.2b. The criteria is based on a production process which has a material variability with the following standard deviations: Stability = 270 lbs (1200 N); Flow (0.01 inch (0.25 mm)) = 0.015 inches (.38 mm); Air Voids = 0.65%.

For Gyratory Method, insert:

Asphalt Institute MS-2 Mix Design Manual, 7th Edition. Samples shall be prepared at various asphalt contents and compacted using the gyratory compactor in accordance with ASTM D6925.

Tensile strength ratio (TSR) of the composite mixture, as determined by ASTM D4867, shall not be less than 75 when tested at a saturation of 70-80% or an anti-stripping agent shall be added to the HMA, as necessary, to produce a TSR of not less than 75 when tested at a saturation of 70-80%. If an anti-strip agent is required, it shall be provided by the Contractor at no additional cost to the Owner.

Engineer may specify a TSR of not less than 80 in areas that are prone to stripping at a TSR of 75. Engineer may specify one or more freeze-thaw conditioning cycles in areas that are prone to stripping at a TSR of 75.

The JMF shall be submitted in writing by the Contractor at least [30] days prior to the start of paving operations. The JMF shall be developed within the same construction season using aggregates currently being produced.

The submitted JMF shall be stamped or sealed by the responsible professional Engineer of the laboratory and shall include the following items as a minimum:

- a. Percent passing each sieve size for total combined gradation, individual gradation of all aggregate stockpiles and percent by weight of each stockpile used in the job mix formula.
- b. Percent of asphalt cement.
- c. Asphalt performance grade and type of modifier if used.
- d. [___].

For Marshall Method, insert:

Number of blows per side of molded specimen.

For Gyratory Method, insert:

Number of gyrations.

- e. Laboratory mixing temperature.
- f. Laboratory compaction temperature.
- g. Temperature-viscosity relationship of the PG asphalt cement binder showing acceptable range of mixing and compaction temperatures; and for modified binders include supplier recommended mixing and compaction temperatures.
- h. Plot of the combined gradation on a 0.45 power gradation curve.
- i. [___].

For Marshall Method, insert:

Graphical plots of stability, flow, air voids, voids in the mineral aggregate, and unit weight versus asphalt content.

For Gyratory Method, insert:

Graphical plots of air voids, voids in the mineral aggregate, and unit weight versus asphalt content.

j. Specific Gravity and absorption of each aggregate.

k. Percent natural sand.

l. Percent fractured faces.

m. Percent by weight of flat particles, elongated particles, and flat and elongated particles (and criteria).

n. Tensile Strength Ratio (TSR).

o. Anti-strip agent (if required).

p. Date the JMF was developed. Mix designs that are not dated or which are from a prior construction season shall not be accepted.

[**q.** Percentage and properties (asphalt content, binder properties, and aggregate properties) of reclaimed asphalt pavement (RAP) in accordance with paragraph "Reclaimed Hot-Mix Asphalt," if RAP is used.]

Delete if RAP is not allowed per paragraph 401-3.3.

The Contractor shall submit to the Engineer the results of verification testing of three (3) asphalt samples prepared at the optimum asphalt content. The average of the results of this testing shall indicate conformance with the JMF requirements specified in Tables 1 and 3.

When the project requires asphalt mixtures of differing aggregate gradations, a separate JMF and the results of JMF verification testing shall be submitted for each mix.

The JMF for each mixture shall be in effect until a modification is approved in writing by the Engineer. Should a change in sources of materials be made, a new JMF must be submitted within 15 days and approved by the Engineer in writing before the new material is used. After the initial production JMF has been approved by the Engineer and a new or modified JMF is required for whatever reason, the subsequent cost of the Engineer's approval of the new or modified JMF, including a new test strip when required by the engineer, will be borne by the Contractor. There will be no time extension given or considerations for extra costs associated with the stoppage of production paving or restart of production paving due to the time needed for the Engineer to approve the initial, new or modified JMF.

[Insert appropriate method here.]

For Marshall Method, insert:

The Marshall Design Criteria applicable to the project shall meet the criteria specified in Table 1.

Table 1. Marshall Design Criteria

Test Property	Value
Number of blows	*
Stability, pounds (Newtons) minimum	*
Flow, 0.01 in. (0.25 mm)	*
Air voids (%)	*
Percent voids in mineral aggregate, minimum	*

For Gyratory Method, insert:

The Gyratory Design Criteria applicable to the project shall meet the criteria specified in Table 1.

Table 1. Gyratory Compaction Criteria

Test Property	Value
Number of compactor gyrations	*
Air voids (%)	*
Percent voids in mineral aggregate, minimum	*

----- USE THE INFORMATION BELOW TO POPULATE ABOVE TABLE -----

For Marshall Method:

The Marshall Design Criteria applicable to the project shall be specified by the Engineer from the information shown below and inserted into Table 1 where asterisks (*) denote insert points.

Table 1. Marshall Design Criteria

Test Property	Pavements Designed for Aircraft Gross Weights of 60,000 Lbs (27216 kg) or More or Tire Pressures of 100 psi or More	Pavements Designed for Aircraft Gross Weights Less Than 60,000 Lbs (27216 kg) or Tire Pressures Less Than 100 psi
Number of Blows	75	50
Stability, pounds (Newtons) minimum	2150 (9560)	1350 (6000)
Flow¹, 0.01 inch. (0.25 mm)	10-16	10-18
Target Air Voids (percent)	3.5	3.5
Percent Voids in Mineral Aggregate (minimum)	See Table 2	See Table 2

¹The flow requirement is not applicable for Polymer Modified Asphalts.

For Gyratory Method:

The Gyratory Design Criteria, applicable to the project shall be specified by the Engineer from the information shown below and inserted into Table 1 where asterisks (*) denote insert points.

Table 1. Gyratory Design Criteria

Test Property	Pavements Designed for Aircraft Gross Weights of 60,000 Lbs (27216 kg) or More or Tire Pressures of 100 psi or More	Pavements Designed for Aircraft Gross Weights Less Than 60,000 Lbs (27216 kg) or Tire Pressures Less Than 100 psi
Number of compactor gyrations	75	50
Target Air Voids (percent)	3.5	3.5
Percent Voids in Mineral Aggregate (minimum)	See Table 2	See Table 2

Table 2. Minimum Percent Voids In Mineral Aggregate (VMA)

Aggregate (See Table 3)	Minimum VMA
Gradation 3	16%
Gradation 2	15%
Gradation 1	14%

The mineral aggregate shall be of such size that the percentage composition by weight, as determined by laboratory sieves, will conform to the gradation or gradations specified in Table 3 when tested in accordance with ASTM C136 and ASTM C117.

The gradations in Table 3 represent the limits that shall determine the suitability of aggregate for use from the sources of supply; be well graded from coarse to fine and shall not vary from the low limit on one sieve to the high limit on the adjacent sieve, or vice versa.

Table 3. Aggregate - HMA Pavements

Sieve Size	Percentage by Weight Passing Sieve
1 inch (25 mm)	*
3/4 inch (19 mm)	*
1/2 inch (12 mm)	*
3/8 inch (9 mm)	*
No. 4 (4.75 mm)	*
No. 8 (2.36 mm)	*
No. 16 (1.18 mm)	*
No. 30 (0.60 mm)	*
No. 50 (0.30 mm)	*
No. 100 (0.15 mm)	*
No. 200 (0.075 mm)	*
Asphalt Percent:	
Stone or gravel	*
Slag	*

The aggregate gradations shown are based on aggregates of uniform specific gravity. The percentages passing the various sieves shall be corrected when aggregates of varying specific gravities are used, as indicated in the Asphalt Institute MS-2 Mix Design Manual, 7th Edition.

The aggregate gradation shall be specified by the Engineer from the gradations shown in this note. The gradation shall be inserted into Table 3. Asterisks denote insert points. The aggregate size should be no greater than 1/4 the lift thickness to be constructed.

Where locally-available aggregates cannot be economically blended to meet the grading requirements of the gradations shown, the gradations may be modified to

fit the characteristics of such local aggregates with approval of the FAA. The modified gradation must produce a paving mixture that satisfies the mix design requirements.

Table 3. Aggregate - HMA Pavements

Sieve Size	Percentage by Weight Passing Sieves		
	Gradation 1	Gradation 2	Gradation 3
1 inch (25 mm)	100	--	--
3/4 inch (19 mm)	76-98	100	--
1/2 inch (12 mm)	66-86	79-99	100
3/8 inch (9 mm)	57-77	68-88	79-99
No. 4 (4.75 mm)	40-60	48-68	58-78
No. 8 (2.36 mm)	26-46	33-53	39-59
No. 16 (1.18 mm)	17-37	20-40	26-46
No. 30 (0.600 mm)	11-27	14-30	19-35
No. 50 (0.300 mm)	7-19	9-21	12-24
No. 100 (0.150 mm)	6-16	6-16	7-17
No. 200 (0.075 mm)	3-6	3-6	3-6
Asphalt percent:			
Stone or gravel	4.5-7.0	5.0-7.5	5.5-8.0
Slag	5.0-7.5	6.5-9.5	7.0-10.5

The Engineer is only to specify Gradation 3 for leveling course, airfield shoulders, and roadways.

401-3.3 Reclaimed asphalt pavement (RAP). [Reclaimed HMA shall consist of reclaimed asphalt pavement (RAP), coarse aggregate, fine aggregate, mineral filler, and asphalt cement. Recycled asphalt shingles (RAS) shall not be allowed. The RAP shall be of a consistent gradation and asphalt content and properties. When RAP is fed into the plant, the maximum RAP chunk size shall not exceed 1-1/2 inches (38 mm). The reclaimed asphalt pavement mix shall be designed using procedures contained in the Asphalt Institute MS-2 Mix Design Manual, 7th Edition. The percentage of asphalt in the RAP shall be established for the mixture design according to ASTM D2172 using the appropriate dust correction procedure. The JMF shall meet the requirements of paragraph 401-3.2. RAP shall only be used for shoulder surface course mixes and for any intermediate courses. The use of RAP containing Coal Tar shall not be allowed. Coal Tar surface treatments must be removed prior to recycling underlying asphalt material. The amount of RAP shall be limited to [] percent. In addition to the requirements of paragraph 401-3.2, the JMF shall indicate the percent of reclaimed asphalt

pavement and the percent and grade of new asphalt binder. For the PG graded asphalt binder selected in 401-2.3, adjust as follows:

- a. For 0-20% RAP, there is no change in virgin binder content.
- b. For >20 to 30% RAP, select binder one grade softer, i.e., PG 64-22 would soften to PG 58-28.]

[RAP shall not be used.]

Engineer will determine if RAP is/is not allowed and make appropriate selection.

RAP should not be used for surface mixes, except on shoulders. It can be used very effectively in lower layers or for shoulders. Engineer to specify the maximum percentage of reclaimed asphalt allowed in the mix. The amount of RAP shall be limited to 30%, as long as the resulting recycled mix meets all requirements that are specified for virgin mixtures. The Contractor may obtain the RAP from the job site or an existing source.

401-3.4 Job mix formula (JMF) laboratory. The Contractor's laboratory used to develop the JMF shall be accredited in accordance with ASTM D3666. The laboratory accreditation must be current and listed on the accrediting authority's website. All test methods required for developing the JMF must be listed on the lab accreditation. A copy of the laboratory's current accreditation and accredited test methods shall be submitted to the Engineer prior to start of construction.

401-3.5 Test section. [Prior to full production, the Contractor shall prepare and place a quantity of HMA according to the JMF. The amount of HMA shall be sufficient to construct a test section [] long and [] wide, placed in two lanes, with a longitudinal cold joint, and shall be of the same depth specified for the construction of the course which it represents. A cold joint for this test section is an exposed construction joint at least four (4) hours old or whose mat has cooled to less than 160°F (71°C). The cold joint must be cut back using the same procedure that will be used during production in accordance with 401-4.13. The underlying grade or pavement structure upon which the test section is to be constructed shall be the same as the remainder of the course represented by the test section. The equipment used in construction of the test section shall be the same type and weight to be used on the remainder of the course represented by the test section.

The test section shall be evaluated for acceptance as a single lot in accordance with the acceptance criteria in paragraph 401-5.1 and 401-5.2. The test section shall be divided into equal sublots. As a minimum the test section shall consist of three (3) sublots.

The test section shall be considered acceptable if (1) [], (2) gradation and asphalt content are within the action limits specified in paragraphs 401-6.5a and 5b, and (3) the voids in the mineral aggregate are within the limits of Table 2.

For Marshall Method, insert: stability, flow, mat density, air voids, and joint density are 90% or more within limits

For Gyratory Method, insert: mat density, air voids, and joint density are 90% or more within limits

If the initial test section should prove to be unacceptable, the necessary adjustments to the JMF, plant operation, placing procedures, and/or rolling procedures shall be made. A second test section shall then be placed. If the second test section also does not meet specification requirements, both sections shall be removed at the Contractor's expense. Additional test sections, as required, shall be constructed and evaluated for conformance to the specifications. Any additional sections that are not acceptable shall be removed at the Contractor's expense. Full production shall not begin until an acceptable test section has been constructed and accepted in writing by the Engineer. Once an acceptable test section has been placed, payment for the initial test section and the section that meets specification requirements shall be made in accordance with paragraph 401-8.1.

Job mix control testing shall be performed by the Contractor at the start of plant production and in conjunction with the calibration of the plant for the JMF. If aggregates produced by the plant do not satisfy the gradation requirements or produce a mix that meets the JMF, it will be necessary to reevaluate and redesign the mix using plant-produced aggregates. Specimens shall be prepared and the optimum asphalt content determined in the same manner as for the original JMF tests.

Contractor will not be allowed to place the test section until the Contractor Quality Control Program, showing conformance with the requirements of Paragraph 401-6.1, has been approved, in writing, by the Engineer.][A test section is not required.]

The test section should be a minimum of 300 feet (90 m) long and 20 to 30 feet (6 to 9 m) wide. The test section gives the Contractor and the Engineer an opportunity to determine the quality of the mixture in place, as well as performance of the plant and laydown equipment.

For large projects, the size of the test section may be increased so it is representative of the plant production and paving operation. The size of the test section should not be increased more than 50% above the minimum.

For small projects less than 3,000 tons (2722 metric tons), the Engineer, with the FAA's consent, will determine if a test strip is required.

CONSTRUCTION METHODS

401-4.1 Weather limitations. The HMA shall not be placed upon a wet surface or when the surface temperature of the underlying course is less than specified in Table 4. The temperature requirements may be waived by the Engineer, if requested; however, all other requirements including compaction shall be met.

Table 4. Surface Temperature Limitations of Underlying Course

Mat Thickness	Base Temperature (Minimum)	
	°F	°C
3 inches (7.5 cm) or greater	40	4
Greater than 2 inches (50 mm) but less than 3 inches (7.5 cm)	45	7

401-4.2 HMA plant. Plants used for the preparation of HMA shall conform to the requirements of American Association of State Highway and Transportation Officials (AASHTO) M156 with the following changes:

Requirements for all plants include:

a. Truck scales. The HMA shall be weighed on approved scales furnished by the Contractor, or on certified public scales at the Contractor's expense. Scales shall be inspected and sealed as often as the Engineer deems necessary to assure their accuracy. Scales shall conform to the requirements of the General Provisions, subsection 90-01.

In lieu of scales, and as approved by the Engineer, HMA weight may be determined by the use of an electronic weighing system equipped with an automatic printer that weighs the total HMA production and as often thereafter as requested by the Engineer.

b. Testing facilities. The Contractor shall ensure laboratory facilities are provided at the plant for the use of the Engineer. The lab shall have sufficient space and equipment so that both testing representatives (Engineer's and Contractor's) can operate efficiently. The lab shall meet the requirements of ASTM D3666 including all necessary equipment, materials, calibrations, current reference standards to comply with the specifications and a masonry saw with diamond blade for trimming pavement cores and samples.

The plant testing laboratory shall have a floor space area of not less than 200 square feet (18.5 sq m), with a ceiling height of not less than 7-1/2 feet (2 m). The laboratory shall be weather tight, sufficiently heated in cold weather, air-conditioned in hot weather to maintain temperatures for testing purposes of 70°F ±5°F (21°C ±2.3°C). The plant testing laboratory shall be located on the plant site to provide an unobstructed view, from one of its windows, of the trucks being loaded with the plant mix materials. In addition, the facility shall include the minimum:

- (1) Adequate artificial lighting.
- (2) Electrical outlets sufficient in number and capacity for operating the required testing equipment and drying samples.
- (3) A minimum of two (2) Underwriter's Laboratories approved fire extinguishers of the appropriate types and class.
- (4) Work benches for testing.
- (5) Desk with chairs and file cabinet.
- (6) Sanitary facilities convenient to testing laboratory.
- (7) Exhaust fan to outside air.

(8) Sink with running water.

Failure to provide the specified facilities shall be sufficient cause for disapproving HMA plant operations.

Laboratory facilities shall be kept clean, and all equipment shall be maintained in proper working condition. The Engineer shall be permitted unrestricted access to inspect the Contractor’s laboratory facility and witness quality control activities. The Engineer will advise the Contractor in writing of any noted deficiencies concerning the laboratory facility, equipment, supplies, or testing personnel and procedures. When the deficiencies are serious enough to be adversely affecting the test results, the incorporation of the materials into the work shall be suspended immediately and will not be permitted to resume until the deficiencies are satisfactorily corrected.

c. Inspection of plant. The Engineer, or Engineer’s authorized representative, shall have access, at all times, to all areas of the plant for checking adequacy of equipment; inspecting operation of the plant; verifying weights, proportions, and material properties; and checking the temperatures maintained in the preparation of the mixtures.

d. Storage bins and surge bins. The HMA stored in storage and surge bins shall meet the same requirements as HMA loaded directly into trucks and may be permitted under the following conditions:

- (1) Stored in non-insulated bins for a period of time not to exceed three (3) hours.
- (2) Stored in insulated bins for a period of time not to exceed eight (8) hours.

If the Engineer determines that there is an excessive amount of heat loss, segregation, or oxidation of the HMA due to temporary storage, no temporary storage will be allowed.

401-4.3 Hauling equipment. Trucks used for hauling HMA shall have tight, clean, and smooth metal beds. To prevent the HMA from sticking to the truck beds, the truck beds shall be lightly coated with a minimum amount of paraffin oil, lime solution, or other material approved by the Engineer. Petroleum products shall not be used for coating truck beds. Each truck shall have a suitable cover to protect the mixture from adverse weather. When necessary, to ensure that the mixture will be delivered to the site at the specified temperature, truck beds shall be insulated or heated and covers shall be securely fastened.

401-4.3.1 Material transfer vehicle (MTV). [Material transfer vehicles used to transfer the material from the hauling equipment to the paver, shall use a self-propelled, material transfer vehicle with a swing conveyor that can deliver material to the paver without making contact with the paver. The MTV shall be able to move back and forth between the hauling equipment and the paver providing material transfer to the paver, while allowing the paver to operate at a constant speed. The Material Transfer Vehicle will have remixing and storage capability to prevent physical and thermal segregation.] [Material transfer vehicles are not required.]

An MTV is required for runway and taxiway construction on pavements designed for aircraft weighing 100,000 lbs (45360 kg) or more. The MTV is recommended for all pavements where the weight of the MTV will not damage the pavement structure. The use of an MTV is optional for shoulder construction.

401-4.4 HMA pavers. HMA pavers shall be self-propelled with an activated heated screed, capable of spreading and finishing courses of HMA that will meet the specified thickness, smoothness, and grade. The paver shall have sufficient power to propel itself and the hauling equipment without adversely affecting the finished surface.

The paver shall have a receiving hopper of sufficient capacity to permit a uniform spreading operation. The hopper shall be equipped with a distribution system to place the HMA uniformly in front of the screed without segregation. The screed shall effectively produce a finished surface of the required evenness and texture without tearing, shoving, or gouging the mixture.

If, during construction, it is found that the spreading and finishing equipment in use leaves tracks or indented areas, or produces other blemishes in the pavement that are not satisfactorily corrected by the scheduled operations, the use of such equipment shall be discontinued and satisfactory equipment shall be provided by the Contractor.

401-4.4.1 Automatic grade controls. The HMA paver shall be equipped with a control system capable of automatically maintaining the specified screed elevation. The control system shall be automatically actuated from either a reference line and/or through a system of mechanical sensors or sensor-directed mechanisms or devices that will maintain the paver screed at a predetermined transverse slope and at the proper elevation to obtain the required surface. The transverse slope controller shall be capable of maintaining the screed at the desired slope within $\pm 0.1\%$.

The controls shall be capable of working in conjunction with any of the following attachments:

- a. Ski-type device of not less than 30 feet (9 m) in length.
- b. Taut string-line (wire) set to grade.
- c. Short ski or shoe.
- d. Laser control.

Other attachments will require approval by the FAA.

401-4.5 Rollers. Rollers of the vibratory, steel wheel, and pneumatic-tired type shall be used. They shall be in good condition, capable of operating at slow speeds to avoid displacement of the HMA. The number, type, and weight of rollers shall be sufficient to compact the HMA to the required density while it is still in a workable condition.

All rollers shall be specifically designed and suitable for compacting HMA concrete and shall be properly used. Rollers that impair the stability of any layer of a pavement structure or underlying soils shall not be used. Depressions in pavement surfaces caused by rollers shall be repaired by the Contractor at their own expense.

The use of equipment that causes crushing of the aggregate will not be permitted.

401-4.6. Density device. The Contractor shall have on site a density gauge during all paving operations in order to assist in the determination of the optimum rolling pattern, type of roller and frequencies, as well as to monitor the effect of the rolling operations during production paving. The Contractor shall also supply a qualified technician during all paving operations to calibrate the gauge and obtain accurate density readings for all new HMA. These densities shall be supplied to the Engineer upon request at any time during construction. No separate payment will be made for supplying the density gauge and technician.

401-4.7 Preparation of asphalt binder. The asphalt binder shall be heated in a manner that will avoid local overheating and provide a continuous supply of the asphalt binder to the mixer at a uniform temperature. The temperature of unmodified asphalt binder delivered to the mixer shall be sufficient to provide a suitable viscosity for adequate coating of the aggregate particles, but shall not exceed 325°F (160°C) when added to the aggregate. The temperature of modified asphalt binder shall be no more than 350°F (175°C) when added to the aggregate.

401-4.8 Preparation of mineral aggregate. The aggregate for the HMA shall be heated and dried. The maximum temperature and rate of heating shall be such that no damage occurs to the aggregates. The temperature of the aggregate and mineral filler shall not exceed 350°F (175°C) when the asphalt binder is added. Particular care shall be taken that aggregates high in calcium or magnesium content are not damaged by overheating. The temperature shall not be lower than is required to obtain complete coating and uniform distribution on the aggregate particles and to provide a mixture of satisfactory workability.

401-4.9 Preparation of HMA. The aggregates and the asphalt binder shall be weighed or metered and introduced into the mixer in the amount specified by the JMF. The combined materials shall be mixed until the aggregate obtains a uniform coating of asphalt binder and is thoroughly distributed throughout the mixture. Wet mixing time shall be the shortest time that will produce a satisfactory mixture, but not less than 25 seconds for batch plants. The wet mixing time for all plants shall be established by the Contractor, based on the procedure for determining the percentage of coated particles described in ASTM D2489, for each individual plant and for each type of aggregate used. The wet mixing time will be set to achieve 95% of coated particles. For continuous mix plants, the minimum mixing time shall be determined by dividing the weight of its contents at operating level by the weight of the mixture delivered per second by the mixer. The moisture content of all HMA upon discharge shall not exceed 0.5%.

For batch plants, wet mixing time begins with the introduction of asphalt binder into the mixer and ends with the opening of the mixer discharge gate. Distribution of aggregate and asphalt binder as they enter the pugmill, speed of mixer shafts, and arrangement and pitch of paddles are factors governing efficiency of mixing. Prolonged exposure to air and heat in the pugmill harden the asphalt film on the aggregate. Mixing time, therefore, should be the shortest time required to obtain uniform distribution of aggregate sizes and thorough coating of aggregate particles with asphalt binder.

401-4.10 Preparation of the underlying surface. Immediately before placing the HMA, the underlying course shall be cleaned of all dust and debris. [A [prime coat] [and] [tack coat] shall be applied in accordance with Item [P-602] [and] [P-603], if shown on the plans.]

Engineer should evaluate the presence of paint and/or rubber deposits on the existing pavement and, if needed, may specify milling, grinding or other suitable means to remove same prior to placement of new HMA.

401-4.11 Laydown plan, transporting, placing, and finishing. Prior to the placement of the HMA, the Contractor shall prepare a laydown plan for approval by the Engineer. This is to minimize the number of

cold joints in the pavement. The laydown plan shall include the sequence of paving laydown by stations, width of lanes, temporary ramp locations, and laydown temperature. The laydown plan shall also include estimated time of completion for each portion of the work (that is, milling, paving, rolling, cooling, etc.). Modifications to the laydown plan shall be approved by the Engineer.

The HMA shall be transported from the mixing plant to the site in vehicles conforming to the requirements of paragraph 401-4.3. Deliveries shall be scheduled so that placing and compacting of HMA is uniform with minimum stopping and starting of the paver. Hauling over freshly placed material shall not be permitted until the material has been compacted, as specified, and allowed to cool to atmospheric temperature.

[The Contractor shall use a material transfer vehicle to deliver HMA to the paver.]

An MTV is required for runway and taxiway construction on pavements designed for aircraft weighing 100,000 lbs (45360 kg) or more. The MTV is recommended for all pavements where the weight of the MTV will not damage the pavement structure. The use of an MTV is optional for shoulder construction.

The alignment and elevation of the paver shall be regulated from outside reference lines established for this purpose for the first lift of all runway and taxiway pavements. Successive lifts of HMA surface course may be placed using a ski, or laser control per paragraph 401-4.4.1, provided grades of the first lift of HMA surface course meet the tolerances of paragraphs 401-5.2b(6) as verified by a survey. Contractor shall survey each lift of HMA surface course and certify to Engineer that every lot of each lift meets the grade tolerances of paragraph 401-5.2b(6) before the next lift can be placed.

The initial placement and compaction of the HMA shall occur at a temperature suitable for obtaining density, surface smoothness, and other specified requirements but not less than 250°F (121°C).

Edges of existing HMA pavement abutting the new work shall be saw cut and carefully removed as shown on the drawings and coated with asphalt tack coat before new material is placed against it.

Upon arrival, the HMA shall be placed to the full width by a HMA paver. It shall be struck off in a uniform layer of such depth that, when the work is completed, it shall have the required thickness and conform to the grade and contour indicated. The speed of the paver shall be regulated to eliminate pulling and tearing of the HMA mat. Unless otherwise permitted, placement of the HMA shall begin along the centerline of a crowned section or on the high side of areas with a one-way slope. The HMA shall be placed in consecutive adjacent strips having a minimum width of [___] feet (m) except where edge lanes require less width to complete the area. Additional screed sections shall not be attached to widen paver to meet the minimum lane width requirements specified above unless additional auger sections are added to match. The longitudinal joint in one course shall offset the longitudinal joint in the course immediately below by at least 1 foot (30 cm); however, the joint in the surface top course shall be at the centerline of crowned pavements. Transverse joints in one course shall be offset by at least 10 feet (3 m) from transverse joints in the previous course.

Transverse joints in adjacent lanes shall be offset a minimum of 10 feet (3 m).

On areas where irregularities or unavoidable obstacles make the use of mechanical spreading and finishing equipment impractical, the HMA may be spread and luted by hand tools.

Areas of segregation in the surface course, as determined by the Engineer, shall be removed and replaced at the Contractor’s expense. The area shall be removed by saw cutting and milling a minimum of 2 inches

(50 mm) deep. The area to be removed and replaced shall be a minimum width of the paver and a minimum of 10 feet (3 m) long.

The Engineer should add more detail as appropriate to areas that require removal and replacements. The Engineer should specify the widest paving lane practicable in an effort to hold the number of longitudinal joints to a minimum.

401-4.12 Compaction of HMA. After placing, the HMA shall be thoroughly and uniformly compacted by power rollers. The surface shall be compacted as soon as possible when the HMA has attained sufficient stability so that the rolling does not cause undue displacement, cracking or shoving. The sequence of rolling operations and the type of rollers used shall be at the discretion of the Contractor. The speed of the roller shall, at all times, be sufficiently slow to avoid displacement of the hot mixture and be effective in compaction. Any displacement occurring as a result of reversing the direction of the roller, or from any other cause, shall be corrected at once.

Sufficient rollers shall be furnished to handle the output of the plant. Rolling shall continue until the surface is of uniform texture, true to grade and cross-section, and the required field density is obtained. To prevent adhesion of the HMA to the roller, the wheels shall be equipped with a scraper and kept properly moistened but excessive water will not be permitted.

In areas not accessible to the roller, the mixture shall be thoroughly compacted with approved power driven tampers. Tampers shall weigh not less than 275 pounds (125 kg), have a tamping plate width not less than 15 inches (38 cm), be rated at not less than 4,200 vibrations per minute, and be suitably equipped with a standard tamping plate wetting device.

Any HMA that becomes loose and broken, mixed with dirt, contains check-cracking, or in any way defective shall be removed and replaced with fresh hot mixture and immediately compacted to conform to the surrounding area. This work shall be done at the Contractor's expense. Skin patching shall not be allowed.

401-4.13 Joints. The formation of all joints shall be made in such a manner as to ensure a continuous bond between the courses and obtain the required density. All joints shall have the same texture as other sections of the course and meet the requirements for smoothness and grade.

The roller shall not pass over the unprotected end of the freshly laid HMA except when necessary to form a transverse joint. When necessary to form a transverse joint, it shall be made by means of placing a bulkhead or by tapering the course. The tapered edge shall be cut back to its full depth and width on a straight line to expose a vertical face prior to placing the adjacent lane. In both methods, all contact surfaces shall be coated with an asphalt tack coat before placing any fresh HMA against the joint.

Longitudinal joints which have been left exposed for more than four (4) hours; the surface temperature has cooled to less than 175°F (80°C); or are irregular, damaged, uncompacted or otherwise defective shall be cut back 3 inches (75 mm) to 6 inches (150 mm) to expose a clean, sound, uniform vertical surface for the full depth of the course. All cutback material shall be removed from the project. Asphalt tack coat or other product approved by the Engineer shall be applied to the clean, dry joint, prior to placing any additional fresh HMA against the joint. Any laitance produced from cutting joints shall be removed by vacuuming and washing. The cost of this work shall be considered incidental to the cost of the HMA.

The Contractor may provide additional joint density quality control by use of joint heaters at the Contractor's expense. Electrically powered infrared heating equipment should consist of one or more low-level radiant energy heaters to uniformly heat and soften the pavement joints. The heaters should be configured to uniformly heat an area up to 18 inches (0.5 m) in width and 3 inches (75 mm) in depth. Infrared equipment shall be thermostatically controlled to provide a uniform, consistent temperature increase throughout the layer being heated up to a maximum temperature range of 200 to 300°F (93 to 150°C).

Propane powered infrared heating equipment shall be attached to the paving machine and the output of infrared energy shall be in the one to six micron range. Converters shall be arranged end to end directly over the joint to be heated in sufficient numbers to continuously produce, when in operation, a minimum of 240,000 BTU per hour. The joint heater shall be positioned not more than one inch (25 mm) above the pavement to be heated and in front of the paver screed and shall be fully adjustable. Heaters will be required to be in operation at all times.

The heaters shall be operated so they do not produce excessive heat when the units pass over new or previously paved material.

401-4.14 Saw-cut grooving. If shown on the plans, saw cut grooves shall be provided as specified in Item P-621.

401-4.15 Diamond grinding. When required, diamond grinding shall be accomplished by sawing with saw blades impregnated with industrial diamond abrasive. The saw blades shall be assembled in a cutting head mounted on a machine designed specifically for diamond grinding that will produce the required texture and smoothness level without damage to the pavement. The saw blades shall be 1/8-inch (3-mm) wide and there shall be a minimum of 55 to 60 blades per 12 inches (300 mm) of cutting head width; the actual number of blades will be determined by the Contractor and depend on the hardness of the aggregate. Each machine shall be capable of cutting a path at least 3 feet (0.9 m) wide. Equipment that causes ravels, aggregate fractures, spalls or disturbance to the pavement will not be permitted. The depth of grinding shall not exceed 1/2 inch (13mm) and all areas in which diamond grinding has been performed will be subject to the final pavement thickness tolerances specified. Grinding will be tapered in all directions to provide smooth transitions to areas not requiring grinding. Areas that have been ground will be sealed with a P-608 surface treatment as directed by the Engineer. It may be necessary to seal a larger area to avoid surface treatment creating any conflict with runway or taxiway markings.

401-4.16 Nighttime paving requirements. Paving during nighttime construction shall require the following:

a. All paving machines, rollers, distribution trucks and other vehicles required by the Contractor for his operations shall be equipped with artificial illumination sufficient to safely complete the work.

b. Minimum illumination level shall be twenty (20) horizontal foot-candles and maintained in the following areas:

(1) An area of 30 feet (9 m) wide by 30 feet (9 m) long immediately behind the paving machines during the operations of the machines.

(2) An area 15 feet (4.5 m) wide by 30 feet (9 m) long immediately in front and back of all rolling equipment, during operation of the equipment.

(3) An area 15 feet (4.5 m) wide by 15 feet (4.5 m) long at any point where an area is being tack coated prior to the placement of pavement.

c. As partial fulfillment of the above requirements, the Contractor shall furnish and use, complete artificial lighting units with a minimum capacity of 3,000 watt electric beam lights, affixed to all equipment in such a way to direct illumination on the area under construction.

d. A lighting plan must be submitted by the Contractor and approved by the Engineer prior to the start of any nighttime work.

National Cooperative Highway Research Program (NCHRP) Report 498, Illumination Guidelines for Nighttime Highway Work contains useful information for anyone involved in nighttime construction and maintenance work. The report is available on the Transportation Research Board (TRB) website: http://onlinepubs.trb.org/onlinepubs/nchrp/nchrp_rpt_498.pdf

If nighttime paving requires the critical re-opening of airfield facilities, the following additional language should be added:

“If the Contractor places any out of specification mix in the project work area, the Contractor is required to remove it at its own expense, to the satisfaction of the Engineer. If the Contractor has to continue placing non-payment HMA, as directed by the Engineer, to make the surfaces safe for aircraft operations, the Contractor shall do so to the satisfaction of the Engineer. It is the Contractor’s responsibility to leave the facilities to be paved in a safe condition ready for aircraft operations. No consideration for extended closure time of the area being paved will be given. As a first order of work for the next paving shift, the Contractor shall remove all out of specification material and replace with approved material to the satisfaction of the Engineer. When the above situations occur, there will be no consideration given for additional construction time or payment for extra costs.”

MATERIAL ACCEPTANCE

401-5.1 Acceptance sampling and testing. Unless otherwise specified, all acceptance sampling and testing necessary to determine conformance with the requirements specified in this section will be performed by the Engineer at no cost to the Contractor except that coring [and profilograph testing] as required in this section shall be completed and paid for by the Contractor.

Testing organizations performing these tests [except profilograph] shall be accredited in accordance with ASTM D3666. The laboratory accreditation must be current and listed on the accrediting authority’s website. All test methods required for acceptance sampling and testing must be listed on the lab accreditation. A copy of the laboratory’s current accreditation and accredited test methods shall be submitted to the Engineer prior to start of construction. All equipment in Contractor furnished laboratories shall be calibrated by an independent testing organization prior to the start of operations at the Contractor’s expense.

See note to Engineer in paragraph 401-5.2b(5) regarding the use of profilograph testing. If this testing is specified, it is performed and paid for by the Contractor.

a. Hot mixed asphalt. Plant-produced HMA shall be tested for air voids [___] on a lot basis. Sampling shall be from material deposited into trucks at the plant or from trucks at the job site. Samples shall be taken in accordance with ASTM D979.

**If Marshal Method is selected, insert the following above:
“and stability and flow”**

A standard lot shall be equal to one day’s production or 2000 tons (1814 metric tons) whichever is smaller. If the day’s production is expected to exceed 2000 tons (1814 metric tons), but less than 4000 tons (3628 metric tons), the lot size shall be 1/2 day’s production. If the day’s production exceeds 4000 tons (3628 metric tons), the lot size shall be an equal sized fraction of the day’s production, but shall not exceed 2000 tons (1814 metric tons).

Where more than one plant is simultaneously producing HMA for the job, the lot sizes shall apply separately for each plant.

(1) Sampling. Each lot will consist of four equal sublots. Sufficient HMA for preparation of test specimens for all testing will be sampled by the Engineer on a random basis, in accordance with the procedures contained in ASTM D3665. Samples will be taken in accordance with ASTM D979.

The sample of HMA may be put in a covered metal tin and placed in an oven for not less than 30 minutes nor more than 60 minutes to stabilize to compaction temperature. The compaction temperature of the specimens shall be as specified in the JMF.

Engineer should increase hold times to not less than 60 minutes and not more than 90 minutes when absorptive aggregates are used.

(2) Testing. [___]

For Marshall Method, insert:

Sample specimens shall be tested for stability and flow in accordance with ASTM D6927. Air voids will be determined by the Engineer in accordance with ASTM D3203. One set of laboratory compacted specimens will be prepared for each subplot in accordance with ASTM D6926 at the number of blows required by paragraph 401-3.2, Table 1. Each set of laboratory compacted specimens will consist of three test specimens prepared from the same sample. The manual hammer in ASTM D6926 shall be used.

For Gyratory Method, insert:

Air voids will be determined by the Engineer in accordance with ASTM D3203. One set of laboratory compacted specimens will be prepared for each subplot in accordance with ASTM D6925 at the number of gyrations required by paragraph 401-3.2, Table 1. Each set of laboratory compacted specimens will consist of three test specimens prepared from the same sample.

Prior to testing, the bulk specific gravity of each test specimen shall be measured by the Engineer in accordance with [ASTM D2726] [ASTM D6752] using the procedure for laboratory-prepared thoroughly dry specimens for use in computing air voids and pavement density.

The same test procedure shall be selected throughout specification.

For air voids determination, the theoretical maximum specific gravity of the mixture shall be measured one time for each subplot in accordance with ASTM D2041. The value used in the air voids computation for each subplot shall be based on theoretical maximum specific gravity measurement for the subplot.

[The stability and flow for each subplot shall be computed by averaging the results of all test specimens representing that subplot.]

For Gyratory Method, delete above bracketed sentence.

(3) Acceptance. [___]

For Marshall Method, insert:

Acceptance of plant produced HMA for stability, flow, and air voids shall be determined by the Engineer in accordance with the requirements of paragraph 401-5.2b.

For Gyratory Method, insert:

Acceptance of plant produced HMA for air voids shall be determined by the Engineer in accordance with the requirements of paragraph 401-5.2b.

b. In-place HMA. HMA placed in the field shall be tested for mat and joint density on a lot basis. A standard lot shall be equal to one day's production or 2000 tons (1814 metric tons) whichever is smaller. If the day's production is expected to exceed 2000 tons (1814 metric tons), but less than 4000 tons (3628 metric tons), the lot size shall be 1/2 day's production. If the day's production exceeds 4000 tons (3628 metric tons), the lot size shall be an equal sized fraction of the day's production, but shall not exceed 2000 tons (1814 metric tons).

(1) Mat density. The lot size shall be the same as that indicated in paragraph 401-5.1a and shall be divided into four equal sublots. One core of finished, compacted HMA shall be taken by the Contractor from each subplot. Core locations will be determined by the Engineer on a random basis in accordance with procedures contained in ASTM D3665. Cores for mat density shall not be taken closer than one foot (30 cm) from a transverse or longitudinal joint.

(2) Joint density. The lot size shall be the total length of longitudinal joints constructed by a lot of HMA as defined in paragraph 401-5.1a. The lot shall be divided into four equal sublots. One core of finished, compacted HMA shall be taken by the Contractor from each subplot. Core locations will be determined by the Engineer on a random basis in accordance with procedures contained in ASTM D3665. All cores for joint density shall be taken centered on the joint. The minimum core diameter for joint density determination shall be 5 inches (125 mm).

(3) Sampling. Samples shall be neatly cut with a diamond core drill bit. Samples will be taken in accordance with ASTM D979. The minimum diameter of the sample shall be 5 inches (125 mm). Samples that are clearly defective, as a result of sampling, shall be discarded and another sample taken. The Contractor shall furnish all tools, labor, and materials for cutting samples, cleaning, and filling the cored pavement. Cored pavement shall be cleaned and core holes shall be filled in a manner acceptable to the Engineer and within one day after sampling. Laitance produced by the coring operation shall be removed immediately.

The top most lift of HMA shall be completely bonded to the underlying layer. If any of the cores reveal that the surface is not bonded to the layer immediately below the surface then additional cores shall be taken as directed by the Engineer in accordance with paragraph 401-5.1b to determine the extent of any delamination. All delaminated areas shall be completely removed by milling to the limits and depth and replaced as directed by the Engineer at no additional cost.

(4) Testing. The bulk specific gravity of each cored sample will be measured by the Engineer in accordance with [ASTM D2726] [ASTM D6752]. Samples will be taken in accordance with ASTM D979. The percent compaction (density) of each sample will be determined by dividing the bulk specific gravity of each subplot sample by the average bulk specific gravity of all laboratory prepared specimens for the lot, as determined in paragraph 401-5.1a(2). The bulk specific gravity used to determine the joint density at joints formed between different lots shall be the lowest of the bulk specific gravity values from the two different lots.

The same test procedure shall be selected throughout specification.

(5) Acceptance. Acceptance of field placed HMA for mat density will be determined by the Engineer in accordance with the requirements of paragraph 401-5.2b(1). Acceptance for joint density will be determined by the Engineer in accordance with the requirements of paragraph 401-5.2b(3).

c. Partial lots. When operational conditions cause a lot to be terminated before the specified number of tests have been made for the lot, or when the Contractor and Engineer agree in writing to allow overages or other minor tonnage placements to be considered as partial lots, the following procedure will be used to adjust the lot size and the number of tests for the lot.

The last batch produced where production is halted will be sampled, and its properties shall be considered as representative of the particular subplot from which it was taken. In addition, an agreed to minor placement will be sampled, and its properties shall be considered as representative of the particular subplot from which it was taken. Where three sublots are produced, they shall constitute a lot. Where one or two sublots are produced, they shall be incorporated into the next lot, and the total number of sublots

shall be used in the acceptance plan calculation, that is, n = 5 or n = 6, for example. Partial lots at the end of asphalt production on the project shall be included with the previous lot. The lot size for field placed material shall correspond to that of the plant material, except that, in no cases, shall less than three (3) cored samples be obtained, that is, n = 3.

401-5.2 Acceptance criteria.

a. General. Acceptance will be based on the following characteristics of the HMA and completed pavement as well as the implementation of the Contractor Quality Control Program and test results:

- (1) Air voids
- (2) Mat density
- (3) Joint density
- (4) Thickness
- (5) Smoothness
- (6) Grade
- [(7) Stability
- (8) Flow]

For Gyrotory Method, delete Items 7 and 8.

Mat density and air voids will be evaluated for acceptance in accordance with paragraph 401-5.2b(1). [Stability and flow will be evaluated for acceptance in accordance with paragraph 401-5.2b(2) .] Joint density will be evaluated for acceptance in accordance with paragraph 401-5.2b(3).

For Gyrotory Method, delete the bracketed information above.

Thickness will be evaluated by the Engineer for compliance in accordance with paragraph 401-5.2b(4). Acceptance for smoothness will be based on the criteria contained in paragraph 401-5.2b(5). Acceptance for grade will be based on the criteria contained in paragraph 401-5.2b(7).

The Engineer may at any time, reject and require the Contractor to dispose of any batch of HMA which is rendered unfit for use due to contamination, segregation, incomplete coating of aggregate, or improper mix temperature. Such rejection may be based on only visual inspection or temperature measurements. In the event of such rejection, the Contractor may take a representative sample of the rejected material in the presence of the Engineer, and if it can be demonstrated in the laboratory, in the presence of the Engineer, that such material was erroneously rejected, payment will be made for the material at the contract unit price.

b. Acceptance criteria.

(1) Mat density and air voids. Acceptance of each lot of plant produced material for mat density and air voids shall be based on the percentage of material within specification limits (PWL). If the PWL of the lot equals or exceeds 90%, the lot shall be acceptable. Acceptance and payment shall be determined in accordance with paragraph 401-8.1.

[**(2) Stability [and flow]**. Acceptance of each lot of plant produced HMA for stability and flow shall be based on the PWL. If the PWL of the lot equals or exceeds 90%, the lot shall be acceptable. If the PWL is less than 90%, the Contractor shall determine the reason and take corrective action. If the PWL is below 80%, the Contractor must stop production until the reason for poor stability and/or flow has been determined and adjustments to the HMA are made.]

For Gyrotory Method, delete the bracketed information above and renumber following items.

(3) Joint density. Acceptance of each lot of plant produced HMA for joint density shall be based on the PWL. If the PWL of the lot is equal to or exceeds 90%, the lot shall be considered acceptable. If the PWL is less than 90%, the Contractor shall evaluate the reason and act accordingly. If the PWL is less than 80%, the Contractor shall cease operations and until the reason for poor compaction has been determined. If the PWL is less than 71%, the pay factor for the lot used to complete the joint shall be reduced by five (5) percentage points. This lot pay factor reduction shall be incorporated and evaluated in accordance with paragraph 401-8.1.

(4) Thickness. Thickness of each lift of surface course shall be evaluated by the Engineer for compliance to the requirements shown on the plans. Measurements of thickness shall be made by the Engineer using the cores extracted for each subplot for density measurement. The maximum allowable deficiency at any point shall not be more than 1/4 inch (6 mm) less than the thickness indicated for the lift. Average thickness of lift, or combined lifts, shall not be less than the indicated thickness. Where the thickness tolerances are not met, the lot or subplot shall be corrected by the Contractor at his expense by removing the deficient area and replacing with new pavement. The Contractor, at his expense, may take additional cores as approved by the Engineer to circumscribe the deficient area.

(5) Smoothness. The final surface shall be free from roller marks. After the final rolling, but not later than 24 hours after placement, the surface of each lot shall be tested in both longitudinal and transverse directions for smoothness to reveal all surface irregularities exceeding the tolerances specified. The Contractor shall furnish paving equipment and employ methods that produce a surface for each pavement lot having an average profile index meeting the requirements of paragraph 401-8.1d when evaluated with a profilograph; and the finished surface course of the pavement shall not vary more than 1/4 inch (6mm) when evaluated with a 12-foot (3.7m) straightedge. When the surface course smoothness exceeds specification tolerances which cannot be corrected by diamond grinding of the surface course, full depth removal and replacement of surface course corrections shall be to the limit of the longitudinal placement. Corrections involving diamond grinding will be subject to the final pavement thickness tolerances specified. The Contractor shall apply a surface treatment per Item P-608 or P-609 to all areas that have been subject to grinding as directed by the Engineer.

(a) Transverse measurements. Transverse measurements will be taken for each lot placed. Transverse measurements will be taken perpendicular to the pavement centerline each 50 feet (15m) or more often as determined by the Engineer.

(i) Testing shall be continuous across all joints, starting with one-half the length of the straightedge at the edge of pavement section being tested and then moved ahead one-half the length of the straightedge for each successive measurement. Smoothness readings will not be made across grade changes or cross slope transitions; at these transition areas, the straightedge position shall be adjusted to measure surface smoothness and not design grade or cross slope transitions. The amount of surface

irregularity shall be determined by placing the freestanding (unleveled) straightedge on the pavement surface and allowing it to rest upon the two highest spots covered by its length, and measuring the maximum gap between the straightedge and the pavement surface in the area between these two high points. High spots on final surface course > 1/4 inch (6mm) in transverse direction shall be corrected with diamond grinding per paragraph 401-4.15 or by removing and replacing full depth of surface course. Grinding will be tapered in all directions to provide smooth transitions to areas not requiring grinding. The area corrected by grinding should not exceed 10% of the total area and these areas shall be retested after grinding.

(ii) The joint between lots shall be tested separately to facilitate smoothness between lots. The amount of surface irregularity shall be determined by placing the freestanding (unleveled) straightedge on the pavement surface, with half the straightedge on one side of the joint and the other half of the straightedge on the other side of the joint. Measure the maximum gap between the straightedge and the pavement surface in the area between these two high points. One measurement shall be taken at the joint every 50 feet (15m) or more often if directed by the Engineer. Deviations on final surface course > 1/4 inch (6mm) in transverse direction shall be corrected with diamond grinding per paragraph 401-4.15 or by removing and replacing full depth of surface course. Each measurement shall be recorded and a copy of the data shall be furnished to the Engineer at the end of each days testing.

(b) Longitudinal measurements. Longitudinal measurements will be taken for each lot placed. Longitudinal tests will be parallel to the centerline of paving; at the center of paving lanes when widths of paving lanes are less than 20 feet (6m); and at the third points of paving lanes when widths of paving lanes are 20 ft (6m) or greater.

(i) Longitudinal Short Sections. Longitudinal Short Sections are when the longitudinal lot length is less than 200 feet (60m) and areas not requiring a profilograph. When approved by the Engineer, the first and last 15 feet (4.5m) of the lot can also be considered as short sections for smoothness. The finished surface shall not vary more than 1/4 inch (6mm) when evaluated with a 12-foot (3.7m) straightedge. Smoothness readings will not be made across grade changes or cross slope transitions; at these transition areas, the straightedge position shall be adjusted to measure surface smoothness and not design grade or cross slope transitions. Testing shall be continuous across all joints, starting with one-half the length of the straightedge at the edge of pavement section being tested and then moved ahead one-half the length of the straightedge for each successive measurement. The amount of surface irregularity shall be determined by placing the freestanding (unleveled) straightedge on the pavement surface and allowing it to rest upon the two highest spots covered by its length, and measuring the maximum gap between the straightedge and the pavement surface in the area between these two high points. Deviations on final surface course > 1/4 inch (6mm) in longitudinal direction will be corrected with diamond grinding per paragraph 401-4.15 or by removing and replacing full depth of surface course. Grinding will be tapered in all directions to provide smooth transitions to areas not requiring grinding. The area corrected by grinding should not exceed 10% of the total area and these areas shall be retested after grinding.

(ii) Profilograph Testing. Profilograph testing shall be performed by the contractor using approved equipment and procedures as described as ASTM E1274. The equipment shall utilize electronic recording and automatic computerized reduction of data to indicate “must grind” bumps and the Profile Index for the pavement using a 0.2 inch (5 mm) blanking band. The bump template must span one inch (25 mm) with an offset of 0.4 inches (10 mm). The profilograph must be calibrated prior to use and operated by a factory or State DOT approved operator. Profilograms shall be recorded on a longitudinal scale of one inch (25 mm) equals 25 feet (7.5 m) and a vertical scale of one inch (25 mm) equals one inch (25 mm). A copy of the reduced tapes shall be furnished to the Engineer at the end of each days testing.

The pavement must have an average profile index meeting the requirements of paragraph 401-8.1d. High spots, or “must grind” spots, on final surface course in longitudinal direction shall be

corrected with diamond grinding per paragraph 401-4.15 or by removing and replacing full depth of surface course. Grinding will be tapered in all directions to provide smooth transitions to areas not requiring grinding. The area corrected by grinding should not exceed 10% of the total area and these areas shall be retested after grinding.

Where corrections are necessary, second profilograph runs shall be performed to verify that the corrections produced an average profile index of 15 inches (38 cm) per mile or less. If the initial average profile index was less than 15 inches (38 cm), only those areas representing greater than 0.4 inch (10 mm) deviation will be re-profiled for correction verification.

(iii) Final profilograph of [runway]. Final profilograph, full length of runway, shall be performed to facilitate testing of smoothness between lots. Profilograph testing shall be performed by the contractor using approved equipment and procedures as described as ASTM E1274. The pavement must have an average profile index meeting the requirements of paragraph 401-8.1d. The equipment shall utilize electronic recording and automatic computerized reduction of data to indicate “must grind” bumps and the Profile Index for the pavement using a 0.2 inch (5 mm) blanking band. The bump template must span one inch (25 mm) with an offset of 0.4 inches (10 mm). The profilograph must be calibrated prior to use and operated by a factory or State DOT approved, trained operator. Profilograms shall be recorded on a longitudinal scale of one inch (25 mm) equals 25 feet (7.5 m) and a vertical scale of one inch (25 mm) equals one inch (25 mm). A copy of the reduced tapes shall be furnished to the Engineer at the end of each days testing. Profilograph of final runway shall be performed one foot right and left of runway centerline and 15 feet (4.5 m) right and left of centerline. Any areas that indicate “must grind” will be corrected as directed by the Engineer.

Smoothness testing indicated in the above paragraphs except paragraph (iii) shall be performed within 24 hours of placement of material. Smoothness testing indicated in paragraph (iii) shall be performed within 48 hours of paving completion. The primary purpose of smoothness testing is to identify areas that may be prone to ponding of water which could lead to hydroplaning of aircraft. If the contractor’s machines and/or methods are producing significant areas that need corrective actions then production should be stopped until corrective measures can be implemented. If corrective measures are not implemented and when directed by the Engineer, production shall be stopped until corrective measures can be implemented.

Typically, final profilograph is only required on runway projects. The Engineer has the option of specifying final profilograph on taxiway, apron and/or other pavement areas if deemed appropriate.

(6) Grade. Grade shall be evaluated on the first day of placement and then as a minimum, every [] to allow adjustments to paving operations if measurements do not meet specification requirements. The Contractor must submit the survey data to the Engineer by the following day after measurements have been taken. The finished surface of the pavement shall not vary from the gradeline elevations and cross-sections shown on the plans by more than 1/2 inch (12 mm). The finished grade of each lot will be determined by running levels at intervals of 50 feet (15 m) or less longitudinally and all breaks in grade transversely (not to exceed 50 feet (15 m)) to determine the elevation of the completed pavement. The Contractor shall pay the cost of surveying of the level runs that shall be performed by a licensed surveyor. The documentation, stamped and signed by a licensed surveyor, shall be provided by the Contractor to the Engineer. The lot size shall be [] square yards (m²). When more than 15% of all the measurements within a lot are outside the specified tolerance, or if any one shot within the lot deviates 3/4 inch (19 mm) or more from planned grade, the Contractor shall remove the deficient area to the depth of the final course

plus 1/2 inch (12 mm) of pavement and replace with new material. Skin patching shall not be permitted. Isolated high points may be ground off provided the course thickness complies with the thickness specified on the plans. The surface of the ground pavement shall have a texture consisting of grooves between 0.090 and 0.130 inches (2 and 3.5 mm) wide. The peaks and ridges shall be approximately 1/32 inch (1 mm) higher than the bottom of the grooves. The pavement shall be left in a clean condition. The removal of all of the slurry resulting from the grinding operation shall be continuous. The grinding operation should be controlled so the residue from the operation does not flow across other lanes of pavement. High point grinding will be limited to 15 square yards (12.5 m²). Areas in excess of 15 square yards (12.5 m²) will require removal and replacement of the pavement in accordance with the limitations noted above. The Contractor shall apply a surface treatment per P-608 to all areas that have been subject to grinding.

Engineer shall specify the minimum frequency for grade evaluation.

c. Percentage of material within specification limits (PWL). The PWL shall be determined in accordance with procedures specified in Section 110 of the General Provisions. The specification tolerance limits (L) for lower and (U) for upper are contained in Table 5.

[Insert appropriate method here.]

For Marshall Method, insert the following table:

Table 5. Marshall acceptance limits for stability, flow, air voids, density

TEST PROPERTY	* blows	
	L	U
Number of Blows	* blows	
	Specification Tolerance	
	L	U
Stability, minimum (pounds)(N)	*	*
Flow, 0.01 inch (25 mm)	*	*
Air Voids Total Mix (%)	*	*
Mat Density (%)	*	*
Joint Density (%)	*	*

----- USE THE INFORMATION BELOW TO POPULATE ABOVE TABLE -----

The specification tolerance limits applicable to the project, based on design criteria specified in Table 1, shall be specified by the Engineer from the information shown below and inserted into Table 5 where asterisks (*) denote insert points.

Table 5. Marshall Acceptance Limits For Stability, Flow, Air Voids, Density

TEST PROPERTY	Pavements Designed for Aircraft Gross Weights of 60,000 lbs (27216 kg) or More or Tire Pressures of 100 psi or More		Pavements Designed for Aircraft Gross Weights Less Than 60,000 lbs (27216 kg) or Tire Pressures Less Than 100 psi	
	75 blows		50 blows	
	Specification Tolerance Limits		Specification Tolerance Limits	
	L	U	L	U
Number of Blows	75 blows		50 blows	
Stability, minimum (lbs)	1800	--	1000	--
Flow, 0.01-in	8	18*	8	20*
Air Voids Total Mix (%)	2	5	2	5
Surface Course Mat Density (%)	96.3	[101.3]	96.3	[101.3]
Base Course Mat Density (%)	95.5	[101.3]	95.5	[101.3]
Joint density (%)	93.3	--	93.3	--

* Upper flow limit requirements do not apply for any mix with a polymer-modified binder (where the difference between the upper and lower temperature number is 90°F (32°C) or greater).

The Engineer may specify both upper and lower PWL acceptance criteria (two-sided) for density. Use 101.3 as the upper tolerance limits when two-sided density acceptance criteria is specified AND insert edit paragraph 401-8.1. See Notes to Engineer following paragraph 401-8.1.

For Gyratory Method, insert the following table:

Table 5. Gyratory Acceptance Limits For Air Voids, Density

TEST PROPERTY	Specification Tolerance	
	L	U
Air Voids Total Mix (%)	2	5
Mat Density (%)	96.3	101.3
Joint Density (%)	93.3	-

d. Outliers. All individual tests for mat density and air voids shall be checked for outliers (test criterion) in accordance with ASTM E178, at a significance level of 5%. Outliers shall be discarded, and the PWL shall be determined using the remaining test values. The criteria in Table 5 is based on production processes which have a variability with the following standard deviations: Surface Course Mat Density (%), 1.30; Base Course Mat Density (%), 1.55; Joint Density (%), 2.1.

The Contractor should note that (1) 90 PWL is achieved when consistently producing a surface course with an average mat density of at least 98% with 1.30% or less variability, (2) 90 PWL is achieved when consistently producing a base course with an average mat density of at least 97.5% with 1.55% or less variability, and (3) 90 PWL is achieved when consistently producing joints with an average joint density of at least 96% with 2.1% or less variability.

A lot is the quantity of material to be controlled. The lot size, to be determined by the Engineer, should, for the most part, depend on the operational capacity of the plant, but shall in no case exceed 2,000 tons (1814 kg) in accordance with paragraph 401-5.1a.

401-5.3 Resampling pavement for mat density.

a. General. Resampling of a lot of pavement will only be allowed for mat density, and then, only if the Contractor requests same, in writing, within 48 hours after receiving the written test results from the Engineer. A retest will consist of all the sampling and testing procedures contained in paragraphs 401-5.1b and 401-5.2b(1). Only one resampling per lot will be permitted.

(1) A redefined PWL shall be calculated for the resampled lot. The number of tests used to calculate the redefined PWL shall include the initial tests made for that lot plus the retests.

(2) The cost for resampling and retesting shall be borne by the Contractor.

b. Payment for resampled lots. The redefined PWL for a resampled lot shall be used to calculate the payment for that lot in accordance with Table 6.

c. Outliers. Check for outliers in accordance with ASTM E178, at a significance level of 5%.

[**401-5.4 Leveling course.** Any course used for trueing and leveling shall meet the aggregate gradation in Table 3, paragraph 401-3.2. The trueing and leveling course shall meet the requirements of paragraph 401-3.2, 401-5.2b(1) for air voids [and 401-5.2b(2) for stability and flow], but shall not be subject to the density requirements of paragraph 401-5.2b(1) for mat density and 401-5.2b(3) for joint density. The leveling course shall be compacted with the same effort used to achieve density of the test section. The trueing and leveling course shall not exceed the maximum lift thickness associated with each gradation in Table 3, paragraph 401-3.2. The leveling course is the first variable thickness lift of an overlay placed prior to subsequent courses.]

Use this paragraph only when there is a need to restore proper cross-section prior to overlaying. Areas of the pavement requiring a leveling course shall be shown on the plans.

For Gyrotory mix design, delete the bracketed information in the above paragraph.

CONTRACTOR QUALITY CONTROL

401-6.1 General. The Contractor shall develop a Quality Control Program in accordance with Section 100 of the General Provisions. The program shall address all elements that affect the quality of the pavement including, but not limited to:

- a. Mix design
- b. Aggregate grading
- c. Quality of materials
- d. Stockpile management
- e. Proportioning
- f. Mixing and transportation
- g. Placing and finishing
- h. Joints
- i. Compaction
- j. Surface smoothness
- k. Personnel
- l. Laydown plan

The Contractor shall perform quality control sampling, testing, and inspection during all phases of the work and shall perform them at a rate sufficient to ensure that the work conforms to the contract requirements, and at minimum test frequencies required by paragraph 401-6.3 and Section 100 of the General Provisions. As a part of the process for approving the Contractor's plan, the Engineer may require the Contractor's technician to perform testing of samples to demonstrate an acceptable level of performance.

No partial payment will be made for materials that are subject to specific quality control requirements without an approved plan.

401-6.2 Contractor testing laboratory. The lab shall meet the requirements of ASTM D3666 including all necessary equipment, materials, and current reference standards to comply with the specifications.

401-6.3 Quality control testing. The Contractor shall perform all quality control tests necessary to control the production and construction processes applicable to these specifications and as set forth in the approved Quality Control Program. The testing program shall include, but not necessarily be limited to, tests for the control of asphalt content, aggregate gradation, temperatures, aggregate moisture, field compaction, and surface smoothness. A Quality Control Testing Plan shall be developed as part of the Quality Control Program.

a. Asphalt content. A minimum of two asphalt content tests shall be performed per lot in accordance with ASTM D6307 or ASTM D2172 if the correction factor in ASTM D6307 is greater than 1.0. The asphalt content for the lot will be determined by averaging the test results.

b. Gradation. Aggregate gradations shall be determined a minimum of twice per lot from mechanical analysis of extracted aggregate in accordance with ASTM D5444, ASTM C136, and ASTM C117.

c. Moisture content of aggregate. The moisture content of aggregate used for production shall be determined a minimum of once per lot in accordance with ASTM C566.

d. Moisture content of HMA. The moisture content shall be determined once per lot in accordance with [ASTM D1461].

ASTM D1461 may be replaced with AASHTO T329 moisture content testing procedure using a conventional oven or microwave.

e. Temperatures. Temperatures shall be checked, at least four times per lot, at necessary locations to determine the temperatures of the dryer, the asphalt binder in the storage tank, the HMA at the plant, and the HMA at the job site.

f. In-place density monitoring. The Contractor shall conduct any necessary testing to ensure that the specified density is being achieved. A nuclear gauge may be used to monitor the pavement density in accordance with ASTM D2950.

g. Additional testing. Any additional testing that the Contractor deems necessary to control the process may be performed at the Contractor's option.

h. Monitoring. The Engineer reserves the right to monitor any or all of the above testing.

401-6.4 Sampling. When directed by the Engineer, the Contractor shall sample and test any material that appears inconsistent with similar material being sampled, unless such material is voluntarily removed and replaced or deficiencies corrected by the Contractor. All sampling shall be in accordance with standard procedures specified.

401-6.5 Control charts. The Contractor shall maintain linear control charts both for individual measurements and range (that is, difference between highest and lowest measurements) for aggregate gradation, asphalt content, and VMA. The VMA for each subplot will be calculated and monitored by the Quality Control laboratory.

Control charts shall be posted in a location satisfactory to the Engineer and shall be kept current. As a minimum, the control charts shall identify the project number, the contract item number, the test number, each test parameter, the Action and Suspension Limits applicable to each test parameter, and the Contractor's test results. The Contractor shall use the control charts as part of a process control system for identifying potential problems and assignable causes before they occur. If the Contractor's projected data during production indicates a problem and the Contractor is not taking satisfactory corrective action, the Engineer may suspend production or acceptance of the material.

a. Individual measurements. Control charts for individual measurements shall be established to maintain process control within tolerance for aggregate gradation, asphalt content, and VMA. The control charts shall use the job mix formula target values as indicators of central tendency for the following test parameters with associated Action and Suspension Limits:

Control Chart Limits For Individual Measurements		
Sieve	Action Limit	Suspension Limit
3/4 inch (19 mm)	±6%	±9%
1/2 inch (12 mm)	±6%	±9%
3/8 inch (9 mm)	±6%	±9%
No. 4 (4.75 mm)	±6%	±9%
No. 16 (1.18 mm)	±5%	±7.5%
No. 50 (0.30 mm)	±3%	±4.5%
No. 200 (0.075 mm)	±2%	±3%
Asphalt Content	±0.45%	±0.70%
VMA	-1.00%	-1.50%

b. Range. Control charts for range shall be established to control process variability for the test parameters and Suspension Limits listed below. The range shall be computed for each lot as the difference between the two test results for each control parameter. The Suspension Limits specified below are based on a sample size of $n = 2$. Should the Contractor elect to perform more than two tests per lot, the Suspension Limits shall be adjusted by multiplying the Suspension Limit by 1.18 for $n = 3$ and by 1.27 for $n = 4$.

Control Chart Limits Based On Range (Based On $n = 2$)	
Sieve	Suspension Limit
1/2 inch (12 mm)	11%
3/8 inch (9 mm)	11%
No. 4 (4.75 mm)	11%
No. 16 (1.18 mm)	9%
No. 50 (0.30 mm)	6%
No. 200 (0.075 mm)	3.5%
Asphalt Content	0.8%

c. Corrective Action. The Contractor Quality Control Program shall indicate that appropriate action shall be taken when the process is believed to be out of tolerance. The Plan shall contain sets of rules to gauge when a process is out of control and detail what action will be taken to bring the process into control. As a minimum, a process shall be deemed out of control and production stopped and corrective action taken, if:

- (1) One point falls outside the Suspension Limit line for individual measurements or range; or
- (2) Two points in a row fall outside the Action Limit line for individual measurements.

401-6.6 Quality control reports. The Contractor shall maintain records and shall submit reports of quality control activities daily, in accordance with the Contractor Quality Control Program described in General Provisions, Section 100.

METHOD OF MEASUREMENT

401-7.1 Measurement. HMA shall be measured by the number of tons (kg) of HMA used in the accepted work. Recorded batch weights or truck scale weights will be used to determine the basis for the tonnage.

BASIS OF PAYMENT

401-8.1 Payment. Payment for a lot of HMA meeting all acceptance criteria as specified in paragraph 401-5.2 shall be made based on results of tests for [smoothness,] mat density and air voids. Payment for acceptable lots shall be adjusted according to paragraph 401-8.1a for mat density and air voids and 401-8.1c for smoothness, subject to the limitation that:

a. The total project payment for plant mix bituminous concrete pavement shall not exceed [] percent of the product of the contract unit price and the total number of tons (kg) of HMA used in the accepted work (See Note 1 under Table 6).

b. The price shall be compensation for furnishing all materials, for all preparation, mixing, and placing of these materials, and for all labor, equipment, tools, and incidentals necessary to complete the item.

The Engineer shall specify a value ranging from 100 to the maximum lot pay factor amount. (106% for single-sided density or 103% when double-sided density is specified.)

For mixtures that contain RAP, do not include separate payment for binder.

c. **Basis of adjusted payment.** The pay factor for each individual lot shall be calculated in accordance with Table 6. A pay factor shall be calculated for both mat density and air voids. The lot pay factor shall be the higher of the two values when calculations for both mat density and air voids are 100% or higher. The lot pay factor shall be the product of the two values when only one of the calculations for either mat density or air voids is 100% or higher. The lot pay factor shall be the lower of the two values when calculations for both mat density and air voids are less than 100%. If PWL for joint density is less than 71 percent then the lot pay factor shall be reduced by 5% but be no higher than 95%.

For each lot accepted, the adjusted contract unit price shall be the product of the lot pay factor for the lot and the contract unit price. Payment shall be subject to the total project payment limitation specified in paragraph 401-8.1. Payment in excess of 100% for accepted lots of HMA shall be used to offset payment for accepted lots of bituminous concrete pavement that achieve a lot pay factor less than 100%.

Table 6. Price adjustment schedule¹

Percentage of material within specification limits (PWL)	Lot pay factor (percent of contract unit price)
96 – 100	106
90 – 95	PWL + 10
75 – 89	0.5 PWL + 55
55 – 74	1.4 PWL – 12
Below 55	Reject ²

¹ Although it is theoretically possible to achieve a pay factor of 106% for each lot, actual payment above 100% shall be subject to the total project payment limitation specified in paragraph 401-8.1.

² The lot shall be removed and replaced. However, the Engineer may decide to allow the rejected lot to remain. In that case, if the Engineer and Contractor agree in writing that the lot shall not be removed, it shall be paid for at 50% of the contract unit price and the total project payment shall be reduced by the amount withheld for the rejected lot.

The Engineer may specify both upper and lower PWL acceptance criteria (two-sided) for density. Use the following pay adjustment schedule when two-sided acceptance criteria for density is specified edit Table 6 to include the Upper tolerance limits and edit paragraph 401-8.1.

Table 6. Price Adjustment Schedule ¹

Percentage of Material Within Specification Limits (PWL)	Lot Pay Factor (Percent of Contract Unit Price)
93 – 100	103
90 – 93	PWL + 10
70 – 89	0.125 PWL + 88.75
40 – 69	0.75 PWL + 45
Below 40	Reject ²

¹ Although it is theoretically possible to achieve a pay factor of 103% for each lot, actual payment above 100% shall be subject to the total project payment limitation specified in paragraph 401-8.1.

² The lot shall be removed and replaced. However, the Engineer may decide to allow the rejected lot to remain. In that case, if the Engineer and Contractor agree in writing that the lot shall not be removed, it shall be paid for at 50% of the contract unit price and the total project payment shall be reduced by the amount withheld for the rejected lot.

d. Profilograph smoothness. When the final average profile index (subsequent to any required corrective action) does not exceed 7 inches per mile (18 cm per 1.6 km), payment will be made at the contract unit price for the completed pavement. If the final average profile index (subsequent to any required corrective action) exceeds 7 inches per mile (18 cm per 1.6 km), but does not exceed 15 inches per mile (38 cm per 1.6 m), the Contractor may elect to accept a contract unit price adjustment in lieu of reducing the profile index.

e. Basis of adjusted payment for smoothness. Price adjustment for pavement smoothness will be made in accordance with Table 7. The adjustment will apply to the total tonnage of HMA within a lot of pavement and shall be applied with the following equation:

$$(\text{Tons of asphalt concrete in lot}) \times (\text{lot pay factor}) \times (\text{unit price per ton}) \times (\text{smoothness pay factor}) = \text{payment for lot}$$

Table 7. Profilograph Average Profile Index Smoothness Pay Factor

Inches/miles per 1/10 mile	Short Sections	Pay Factor
0.0 - 7	00.0 - 15.0	100%
7.1 - 9	15.1 - 16	98%
9.1 - 11	16.1 - 17	96%
11.1 - 13	17.1 - 18	94%
13.1 - 14	18.1 - 20	92%
14.1 - 15	20.1 - 22	90%
15.1 and up	22.1 and up	Corrective work required ¹

¹ The Contractor shall correct pavement areas not meeting these tolerances by removing and replacing the defective work. If the Contractor elects to construct an overlay to correct deficiencies, the minimum thickness of the overlay should be at least three times the maximum aggregate size (approximately four (4) times the nominal maximum aggregate size). The corrective overlay shall not violate grade Criteria and butt joints shall be constructed by sawing and removing the original pavement in compliance with the thickness/ maximum aggregate size ratio. Skin patching shall not be permitted.

HMA placed above the specified grade shall not be included in the quantities for payment.

401-8.1.1. Payment. Payment will be made under:

Item P-401-8.1.1 Bituminous [Surface] [Base] [Binder] [Leveling] Course
- per ton (kg)

TESTING REQUIREMENTS

ASTM C29	Standard Test Method for Bulk Density (“Unit Weight”) and Voids in Aggregate
ASTM C88	Standard Test Method for Soundness of Aggregates by Use of Sodium Sulfate or Magnesium Sulfate
ASTM C117	Standard Test Method for Materials Finer than 75-µm (No. 200) Sieve in Mineral Aggregates by Washing
ASTM C127	Standard Test Method for Density, Relative Density (Specific Gravity) and Absorption of Coarse Aggregate
ASTM C131	Standard Test Method for Resistance to Degradation of Small-Size Coarse Aggregate by Abrasion and Impact in the Los Angeles Machine
ASTM C136	Standard Test Method for Sieve or Screen Analysis of Fine and Coarse Aggregates
ASTM C183	Standard Practice for Sampling and the Amount of Testing of Hydraulic Cement

ASTM C566	Standard Test Method for Total Evaporable Moisture Content of Aggregate by Drying
ASTM D75	Standard Practice for Sampling Aggregates
ASTM D979	Standard Practice for Sampling Bituminous Paving Mixtures
ASTM D1073	Standard Specification for Fine Aggregate for Bituminous Paving Mixtures
ASTM D2172	Standard Test Method for Quantitative Extraction of Bitumen from Bituminous Paving Mixtures
ASTM D1461	Standard Test Method for Moisture or Volatile Distillates in Bituminous Paving Mixtures
ASTM D2041	Standard Test Method for Theoretical Maximum Specific Gravity and Density of Bituminous Paving Mixtures
ASTM D2419	Standard Test Method for Sand Equivalent Value of Soils and Fine Aggregate
ASTM D2489	Standard Practice for Estimating Degree of Particle Coating of Bituminous-Aggregate Mixtures
ASTM D2726	Standard Test Method for Bulk Specific Gravity and Density of Non-Absorptive Compacted Bituminous Mixtures
ASTM D2950	Standard Test Method for Density of Bituminous Concrete in Place by Nuclear Methods
ASTM D3203	Standard Test Method for Percent Air Voids in Compacted Dense and Open Bituminous Paving Mixtures
ASTM D3665	Standard Practice for Random Sampling of Construction Materials
ASTM D3666	Standard Specification for Minimum Requirements for Agencies Testing and Inspecting Road and Paving Materials
ASTM D4318	Standard Test Methods for Liquid Limit, Plastic Limit, and Plasticity Index of Soils
ASTM D4791	Standard Test Method for Flat Particles, Elongated Particles, or Flat and Elongated Particles in Coarse Aggregate
ASTM D4867	Standard Test Method for Effect of Moisture on Asphalt Concrete Paving Mixtures
ASTM D5444	Standard Test Method for Mechanical Size Analysis of Extracted Aggregate
ASTM D6084	Standard Test Method for Elastic Recovery of Bituminous Materials by Ductilometer
ASTM D6307	Standard Test Method for Asphalt Content of Hot Mix Asphalt by Ignition Method
ASTM D6752	Standard Test Method for Bulk Specific Gravity and Density of Compacted Bituminous Mixtures Using Automatic Vacuum Sealing Method
ASTM D6926	Standard Practice for Preparation of Bituminous Specimens Using Marshall Apparatus

[]

For Marshall Method, insert:

ASTM D6927 Standard Test Method for Marshall Stability and Flow of Bituminous mixtures

For Gyratory method, insert:

ASTM D6925 Standard Test Method for Preparation and Determination of the Relative Density of Hot Mix Asphalt (HMA) Specimens by Means of the SuperPave Gyratory Compactor.

ASTM E11	Standard Specification for Woven Wire Test Sieve Cloth and Test Sieves
ASTM E178	Standard Practice for Dealing with Outlying Observations
ASTM E1274	Standard Test Method for Measuring Pavement Roughness Using a Profilograph
AASHTO T030	Standard Method of Test for Mechanical Analysis of Extracted Aggregate
AASHTO T110	Standard Method of Test for Moisture or Volatile Distillates in Hot Mix Asphalt (HMA)
AASHTO T275	Standard Method of Test for Bulk Specific Gravity (Gmb) of Compacted Hot Mix Asphalt (HMA) Using Paraffin-Coated Specimens
AASHTO M156	Standard Specification for Requirements for Mixing Plants for Hot-Mixed, Hot-Laid Bituminous Paving Mixtures.
AASHTO T329	Standard Method of Test for Moisture Content of Hot Mix Asphalt (HMA) by Oven Method
Asphalt Institute Handbook MS-26,	Asphalt Binder
Asphalt Institute MS-2	Mix Design Manual, 7th Edition

MATERIAL REQUIREMENTS

ASTM D242	Standard Specification for Mineral Filler for Bituminous Paving Mixtures
ASTM D946	Standard Specification for Penetration-Graded Asphalt Cement for Use in Pavement Construction
ASTM D3381	Standard Specification for Viscosity-Graded Asphalt Cement for Use in Pavement Construction
ASTM D4552	Standard Practice for Classifying Hot-Mix Recycling Agents
ASTM D6373	Standard Specification for Performance Graded Asphalt Binder

END OF ITEM P-401

Item P-403 Hot Mix Asphalt (HMA) Pavements (Base, Leveling or Surface Course)

This specification contains options for both Marshall and Gyratory Mix Design Methods. The Engineer shall select the appropriate options for the selected mix design method.

DESCRIPTION

403-1.1 This item shall consist of a [___] course composed of mineral aggregate and asphalt cement binder (asphalt binder) mixed in a central mixing plant and placed on a prepared course in accordance with these specifications and shall conform to the lines, grades, thicknesses, and typical cross-sections shown on the plans. Each course shall be constructed to the depth, typical section, and elevation required by the plans and shall be rolled, finished, and approved before the placement of the next course.

Specify base and/or leveling course. Surface course may also be specified but only for those pavements designed to accommodate aircraft of gross weights less than or equal to 12,500 pounds (5670 kg) or for surface course of shoulders, blast pads, service roads, etc., Item P-401 shall be specified for surface courses for pavements designed to accommodate aircraft gross weights greater than 12,500 pounds (5670 kg).

This specification is to be used as a base or leveling course for pavements designed to accommodate aircraft of gross weights greater than 12,500 pounds (5670 kg). State highway department specifications may be used in lieu of this specification for access roads, perimeter roads, stabilized base courses under Item P-501, and other pavements not subject to aircraft loading, or for pavements designed for aircraft gross weights of 12,500 pounds (5670 kg) or less.

Where a state highway department material specification is used in lieu of this specification, the state specification must have a demonstrated satisfactory performance record under equivalent loadings and exposure. When a density requirement is not specified by a state specification, it shall be modified to include the language found in paragraphs 403-5.1, 403-5.2 and 403-5.3. When state highway specification are approved, include all applicable/approved state specifications in the contract documents. Update any references to State Department of Transportation (DOT), State Materials Laboratory, etc., to "Owner," "Engineer," etc. as appropriate for project. The use of state highway department specifications for airfield pavements subject to aircraft loading by aircraft > 12,500 pounds and less than 60,000 pounds requires a modification to standards in accordance with FAA Order 5100.1.

MATERIALS

403-2.1 Aggregate. Aggregates shall consist of crushed stone, crushed gravel crushed slag, screenings, natural sand and mineral filler, as required. The aggregates should be free of ferrous sulfides, such as pyrite, that would cause “rust” staining that can bleed through pavement markings. The portion retained on the No. 4 (4.75 mm) sieve is coarse aggregate. The portion passing the No. 4 (4.75 mm) sieve and retained on the No. 200 (0.075 mm) sieve is fine aggregate, and the portion passing the No. 200 (0.075 mm) sieve is mineral filler.

Some aggregates may contain ferrous sulfides and iron oxides which can cause stains on exposed concrete surfaces. In areas where staining has been a problem or is suspected, the Engineer should verify that producers and aggregate suppliers have taken steps to prevent the inclusion of any ferrous sulfides or iron oxides in aggregate to be used in the project.

If there is a concern that these may exist, an indicator to identify staining particles is to immerse the aggregate in a lime slurry. If staining particles are present, a blue-green gelatinous precipitate will form within five (5) to 10 minutes, rapidly changing to a brown color on exposure to air and light. The reaction should be complete in 30 minutes. If no brown gelatinous precipitate forms, there is little chance of reaction in concrete. (Portland Concrete Association, Design and Control of Concrete Mixtures, 15th edition)

a. Coarse aggregate. Coarse aggregate shall consist of sound, tough, durable particles, free from films of matter that would prevent thorough coating and bonding with the bituminous material and free from organic matter and other deleterious substances. The percentage of wear shall not be greater than [] percent when tested in accordance with ASTM C131. The sodium sulfate soundness loss shall not exceed 12%, or the magnesium sulfate soundness loss shall not exceed 18%, after five cycles, when tested in accordance with ASTM C88. Clay Lumps and friable particles shall not exceed 1.0% when tested in accordance with ASTM C142.

Percentage of wear shall not exceed 40 for surface, binder, and leveling courses and 50 for base course. Aggregates with a higher percentage loss of wear or soundness may be specified in lieu of those indicated, provided a satisfactory service record under similar conditions of service and exposure has been demonstrated.

Aggregate shall contain at least [] percent by weight of individual pieces having two or more fractured faces and [] percent by weight having at least one fractured face. The area of each face shall be equal to at least 75% of the smallest midsectional area of the piece. When two fractured faces are contiguous, the angle between the planes of fractures shall be at least 30 degrees to count as two fractured faces. Fractured faces shall be achieved by crushing.

For pavement courses designed for aircraft gross weights of 60,000 pounds (27200 kg) or more, the Engineer shall specify 75% for two fractured faces and 85% for

one fractured face. For pavement courses designed for aircraft gross weights less than 60,000 pounds (27200 kg), the Engineer shall specify 50% for two fractured faces and 65% for one fractured face.

In areas where slag is not available or desired, the references to it should be deleted from all aggregate paragraphs.

[The aggregate shall not contain more than a total of 8%, by weight, of flat particles, elongated particles, and flat and elongated particles, when tested in accordance with ASTM D4791 with a value of 5:1.] [The aggregate shall not contain more than a total of 20% by weight of flat particles, elongated particles, and flat and elongated particles when tested in accordance with ASTM D4791 with a value of 3:1.]

The Engineer may specify ASTM D4791 with a ratio of 5:1 or 3:1. Delete the statement for the ratio not selected.

Slag shall be air-cooled, blast furnace slag, and shall have a compacted weight of not less than 70 pounds per cubic foot (1.12 mg/cubic meter) when tested in accordance with ASTM C29.

b. Fine aggregate. Fine aggregate shall consist of clean, sound, tough, durable, angular shaped particles produced by crushing stone, slag, or gravel that meets the requirements for wear and soundness specified for coarse aggregate. The aggregate particles shall be free from coatings of clay, silt, or other objectionable matter.

The fine aggregate, including any blended material for the fine aggregate, shall have a plasticity index of not more than six (6) and a liquid limit of not more than 25 when tested in accordance with ASTM D4318.

The soundness loss shall not exceed 10% when sodium sulfate is used or 15% when magnesium sulfate is used, after five cycles, when tested per ASTM C88.

Clay lumps and friable particles shall not exceed 1.0 percent, by weight, when tested in accordance with ASTM C142.

Natural (non-manufactured) sand may be used to obtain the gradation of the aggregate blend or to improve the workability of the mix. The amount of sand to be added will be adjusted to produce mixtures conforming to requirements of this specification. [The fine aggregate shall not contain more than 15% natural sand by weight of total aggregates.] If used, the natural sand shall meet the requirements of ASTM D1073 and shall have a plasticity index of not more than six (6) and a liquid limit of not more than 25 when tested in accordance with ASTM D4318.

The aggregate shall have sand equivalent values of [___] or greater when tested in accordance with ASTM D2419.

The sand equivalent value should be 45, unless local conditions require lower value.

The addition of natural sand to a mix containing all crushed coarse and fine aggregates will normally increase its workability and compactability. However, the addition of excessive amounts of natural sand tends to decrease the stability of the mixture. The requirement for a sand equivalent value of 45 usually limits the use of natural sand; however, the maximum of 15% natural sand may be included for locations where low stabilities are a chronic problem.

c. Sampling. ASTM D75 shall be used in sampling coarse and fine aggregate, and ASTM C183 shall be used in sampling mineral filler.

403-2.2 Mineral filler. If filler, in addition to that naturally present in the aggregate, is necessary, it shall meet the requirements of ASTM D242.

403-2.3 Asphalt cement binder. Asphalt cement binder shall conform to ASTM D6373 Performance Grade (PG) [____]. A certificate of compliance from the manufacturer shall be included with the mix design submittal.

The supplier's certified test report with test data indicating grade certification for the asphalt binder shall be provided to the Engineer for each load at the time of delivery to the mix plant. A certified test report with test data indicating grade certification for the asphalt binder shall also be provided to the Engineer for any modification of the asphalt binder after delivery to the mix plant and before use in the HMA.

The Engineer should use the following guidance in selecting the asphalt cement PG to include in the above paragraph.

The initial PG asphalt cement binder should be consistent with the recommendations of the applicable State Department of Transportation requirements for Interstate pavement.

Additional guidance on selecting the asphalt cement binder PG include the following:

- **Asphalt Institute MS-26, The Asphalt Binder Handbook.**
- **The Asphalt Institute's State Binder Specification Database at: http://www.asphaltinstitute.org/public/engineering/state_binder_specs/index.dot.**
- **The Long Term Pavement Performance Binder program at http://www.infopave.com/Page/Index/LTPP_BIND**

403-2.4 Preliminary material acceptance. Prior to delivery of materials to the job site, the Contractor shall submit certified test reports to the Engineer for the following materials:

a. Coarse aggregate:

- (1) Percent of wear
- (2) Soundness

- (3) Clay lumps and friable particles
- (4) Percent fractured faces
- (5) Flat and elongated particles
- [(6) Unit weight of slag]

b. Fine aggregate:

- (1) Liquid limit and Plasticity index
- (2) Soundness
- (3) Clay lumps and friable particles
- (4) Percent natural sand
- (5) Sand equivalent

c. Mineral filler.

d. Asphalt binder. Test results for **asphalt binder** shall include temperature/viscosity charts for mixing and compaction temperatures.

The certifications shall show the appropriate ASTM tests for each material, the test results, and a statement that the material meets the specification requirement.

The Engineer may request samples for testing, prior to and during production, to verify the quality of the materials and to ensure conformance with the applicable specifications.

403-2.5 Anti-stripping agent. Any anti-stripping agent or additive if required shall be heat stable, shall not change the asphalt cement viscosity beyond specifications, shall contain no harmful ingredients, shall be added in recommended proportion by approved method, and shall be a material approved by the Department of Transportation of the State in which the project is located.

COMPOSITION

403-3.1 Composition of mixture. The HMA plant mix shall be composed of a mixture of well-graded aggregate, filler and anti-strip agent if required, and asphalt binder. The several aggregate fractions shall be sized, handled in separate size groups, and combined in such proportions that the resulting mixture meets the grading requirements of the job mix formula (JMF).

403-3.2 Job mix formula. No hot-mixed asphalt (HMA) for payment shall be produced until a JMF has been approved in writing by the Engineer. The asphalt mix design and JMF shall be prepared by an accredited laboratory that meets the requirements of paragraph 403-3.4. The HMA shall be designed using procedures contained in [___].

For Marshall Method, insert:

Asphalt Institute MS-2 Mix Design Manual, 7th Edition. ASTM D6926 shall be used for preparation of specimens using the manually held and operated hammer for the mix design procedure. ASTM D6927 shall be used for testing for Marshall stability and flow.

If material variability exceeds the standard deviations indicated, the JMF and subsequent production targets shall be based on a stability greater than shown in Table 1 and the flow shall be targeted close to the mid-range of the criteria in order to meet the acceptance requirements.

The design criteria in Table 1 are target values necessary to meet the acceptance requirements contained in paragraph 403-5.2b. The criteria is based on a production process which has a material variability with the following standard deviations: Stability = 270 lbs (1200 N); Flow (0.01 inch (0.25 mm)) = 1.5 inches (38 mm); Air Voids = 0.65%.

For Gyratory Method, insert:

Asphalt Institute MS-2 Mix Design Manual, 7th Edition. Samples shall be prepared at various asphalt contents and compacted using the gyratory compactor in accordance with ASTM D6925.

Tensile Strength Ratio (TSR) of the composite mixture, as determined by ASTM D4867, shall not be less than 75 when tested at a saturation of 70-80% or an anti-stripping agent shall be added to the HMA, as necessary, to produce a TSR of not less than 75 when tested at a saturation of 70-80%. If an anti-strip agent is required, it shall be provided by the Contractor at no additional cost to the Owner.

Engineer may specify a TSR of not less than 80 in areas that are prone to stripping at a TSR of 75. Engineer may specify one or more freeze-thaw conditioning cycles in areas that are prone to stripping at a TSR of 75.

The JMF shall be submitted in writing by the Contractor at least [30] days prior to the start of paving operations. The JMF shall be developed within the same construction season using aggregates currently being produced.

The submitted JMF shall be stamped or sealed by the responsible professional Engineer of the laboratory and shall include the following items as a minimum:

- a. Percent passing each sieve size for total combined gradation, individual gradation of all aggregate stockpiles and percent by weight of each stockpile used in the JMF.
- b. Percent of asphalt cement.
- c. Asphalt performance, grade, and type of modifier if used.
- d. [___].

For Marshall Method, insert:

Number of blows per side of molded specimen.

For Gyratory Method, insert:

Number of gyrations.

- e. Laboratory mixing temperature.

f. Laboratory compaction temperature.

g. Temperature-viscosity relationship of the PG asphalt cement binder showing acceptable range of mixing and compaction temperatures and for modified binders include supplier recommended mixing and compaction temperatures.

h. Plot of the combined gradation on the 0.45 power gradation curve.

i. [____].

For Marshall Method, insert:

Graphical plots of stability, flow, air voids, voids in the mineral aggregate, and unit weight versus asphalt content.

For Gyratory Method, insert:

Graphical plots of air voids, voids in the mineral aggregate, and unit weight versus asphalt content,

j. Specific gravity and absorption of each aggregate.

k. Percent natural sand.

l. Percent fractured faces.

m. Percent by weight of flat particles, elongated particles, and flat and elongated particles (and criteria).

n. Tensile Strength Ratio (TSR).

o. Anti-strip agent (if required).

p. Date the JMF was developed. Mix designs that are not dated or which are from a prior construction season shall not be accepted.

[q. Percentage and properties (asphalt content, binder properties, and aggregate properties) of reclaimed asphalt pavement (RAP) in accordance with paragraph Reclaimed Hot-Mix Asphalt, if RAP is used.]

Delete if RAP is not allowed per paragraph 403-3.3.

The Contractor shall submit to the Engineer the results of verification testing of three (3) asphalt samples prepared at the optimum asphalt content. The average of the results of this testing shall indicate conformance with the JMF requirements specified in Tables 1 and 3.

When the project requires asphalt mixtures of differing aggregate gradations, a separate JMF and the results of JMF verification testing shall be submitted for each mix.

The JMF for each mixture shall be in effect until a modification is approved in writing by the Engineer. Should a change in sources of materials be made, a new JMF must be submitted within 15 days and approved by the Engineer in writing before the new material is used. After the initial production JMF has

been approved by the Engineer and a new or modified JMF is required for whatever reason, the subsequent cost of the Engineer's approval of the new or modified JMF will be borne by the Contractor. There will be no time extension given or considerations for extra costs associated with the stoppage of production paving or restart of production paving due to the time needed for the Engineer to approve the initial, new or modified JMF.

[Insert appropriate method here.]

For Marshall Method, insert:

The Marshall Design Criteria applicable to the project shall be as specified in Table 1.

Table 1. Marshall Design Criteria

Test Property	Value
Number of blows	*
Stability, pounds (Newtons) minimum	*
Flow, 0.01 inch (0.25 mm)	*
Air voids (percent)	*
Percent voids in mineral aggregate, minimum	*

For Gyratory Method, insert:

The Gyratory Design Criteria applicable to the project shall meet the criteria specified in Table 1.

Table 1. Gyratory Compaction Criteria

Test Property	Value
Number of compactor gyrations	*
Air voids (%)	*
Percent voids in mineral aggregate, minimum	*

----- **USE THE INFORMATION BELOW TO POPULATE ABOVE TABLE** -----

For mixes with maximum size aggregate of one inch (25 mm) or less, the Marshall Design Criteria applicable to the project shall be specified by the Engineer from the information shown below and inserted into Table 1 where asterisks denote insert points.

Table 1. Marshall Design Criteria

Test Property	Pavements designed for aircraft gross weights of 60,000 lbs (27216 kg) or more or tire pressures of 100 psi or more	Pavements designed for aircraft gross weights less than 60,000 lbs (27216 kg) or tire pressures less than 100 psi
Number of Blows	75	50
Stability, pounds (Newtons) minimum	1800 (8006)	1000 (4448)
Flow¹, 0.01 inch (0.25 mm)	8-16	8-20
Air Voids (percent)	3.5	3.5
Percent Voids in Mineral Aggregate (minimum)	See Table 2.	See Table 2.

¹The flow requirement is not applicable for Polymer Modified Asphalts.

For Gyratory Design Method, the Gyratory Design Criteria, applicable to the project shall be specified by the Engineer from the information shown below and inserted into Table 1. Asterisks denote insert points.

Table 1. Gyratory Design Criteria

Test Property	Pavements designed for aircraft gross weights of 60,000 lbs (27216 kg) or more or tire pressures of 100 psi or more	Pavements designed for aircraft gross weights less than 60,000 lbs (27216 kg) or tire pressures less than 100 psi
Number of compactor gyrations	75	50
Air Voids (percent)	3.5	3.5
Percent Voids in Mineral Aggregate (minimum)	See Table 2	See Table 2

JMF not developed within the previous 90 days are not recommended.

Table 2. Minimum Percent Voids In Mineral Aggregate (VMA)

Aggregate (See Table 3)	Minimum VMA
Gradation 3	16
Gradation 2	15
Gradation 1	14

The mineral aggregate shall be of such size that the percentage composition by weight, as determined by laboratory sieves, will conform to the gradation or gradations specified in Table 3 when tested in accordance with ASTM C136 and ASTM C117.

The gradations in Table 3 represent the limits that shall determine the suitability of aggregate for use from the sources of supply, be well graded from coarse to fine and shall not vary from the low limit on one sieve to the high limit on the adjacent sieve, or vice versa.

Table 3. Aggregate - HMA Pavements

Sieve Size	Percentage by Weight Passing Sieve
1 inch (25 mm)	*
3/4 inch (19 mm)	*
1/2 inch (12 mm)	*
3/8 inch (9 mm)	*
No. 4 (4.75 mm)	*
No. 8 (2.36 mm)	*
No. 16 (1.18 mm)	*
No. 30 (0.60 mm)	*
No. 50 (0.30 mm)	*
No. 100 (0.15 mm)	*
No. 200 (0.075 mm)	*
Asphalt Percent:	
Stone or gravel	*
Slag	*

The aggregate gradations shown are based on aggregates of uniform specific gravity. The percentages passing the various sieves shall be corrected when aggregates of varying specific gravities are used, as indicated in the Asphalt Institute MS-2 Mix Design Manual, 7th Edition.

The aggregate gradation shall be specified by the Engineer from the gradations shown in this note. The gradation shall be inserted into Table 3. Asterisks denote insert points. The maximum aggregate size should be no greater than 1/4 the lift thickness to be constructed.

Where locally-available aggregates cannot be economically blended to meet the grading requirements of the gradations shown, the gradations may be modified to fit the characteristics of such local aggregates with approval of the FAA. The modified gradation must produce a paving mixture that satisfies the mix design requirements.

Table 3. Aggregate - HMA Pavements

Sieve Size	Percentage by Weight Passing Sieves		
	Gradation 1	Gradation 2	Gradation 3
1 inch (25 mm)	100	--	--
3/4 inch (19 mm)	76-98	100	--
1/2 inch (12 mm)	66-86	79-99	100
3/8 inch (9 mm)	57-77	68-88	79-99
No. 4 (4.75 mm)	40-60	48-68	58-78
No. 8 (2.36 mm)	26-46	33-53	39-59
No. 16 (1.18 mm)	17-37	20-40	26-46
No. 30 (0.600 mm)	11-27	14-30	19-35
No. 50 (0.300 mm)	7-19	9-21	12-24
No. 100 (0.150 mm)	6-16	6-16	7-17
No. 200 (0.075 mm)	3-6	3-6	3-6
Asphalt Percent:			
Stone or gravel	4.5-7.0	5.0-7.5	5.5-8.0
Slag	5.0-7.5	6.5-9.5	7.0-10.5

The Engineer should only use Gradation 3 for leveling course, airfield shoulders, and roadways.

Gradation 3 shall not be used for structural course.

403-3.3 Reclaimed asphalt concrete (RAP). [Reclaimed HMA shall consist of reclaimed asphalt pavement (RAP), coarse aggregate, fine aggregate, mineral filler, and asphalt cement. Recycled asphalt shingles (RAS) shall not be allowed. The RAP shall be of a consistent gradation and asphalt content and properties. When RAP is fed into the plant, the maximum RAP chunk size shall not exceed 1-1/2 inches (38 mm). The reclaimed asphalt concrete mix shall be designed using procedures contained in the Asphalt Institute MS-2 Mix Design Manual, 7th Edition. The percentage of asphalt in the RAP shall be established for the mixture design according to ASTM D2172 using the appropriate dust correction procedure. The JMF shall meet the requirements of Paragraph 403-3.2 RAP should only be used for shoulder surface course mixes and for any intermediate courses. The use of RAP containing Coal Tar shall

not be allowed. Coal Tar surface treatments must be removed prior to recycling underlying asphalt material. The amount of RAP shall be limited to [] percent.

In addition to the requirements of paragraph 403-3.2, the JMF shall indicate the percent of reclaimed asphalt pavement and the percent and grade of new asphalt binder.

For the PG graded asphalt binder selected in 403-2.3, adjust as follows:

a. For 0-20% RAP, there is no change in virgin binder content.

b. For >20 to 30% RAP, select binder one grade softer, i.e., PG 64-22 would soften to PG 58-28.]

[RAP shall not be used.]

Engineer will determine if RAP is/is not allowed and make appropriate selection.

RAP should not be used for surface mixes, except on shoulders. It can be used very effectively in lower layers or for shoulders. Engineer to specify the maximum percentage of reclaimed asphalt allowed in the mix. The amount of RAP shall be limited to 30%, as long as the resulting reclaimed mix meets all requirements that are specified for virgin mixtures. The Contractor may obtain the RAP from the job site or an existing source.

403-3.4 Job mix formula (JMF) laboratory. The Contractor's laboratory used to develop the JMF shall be accredited in accordance with ASTM D3666. The laboratory accreditation must be current and listed on the accrediting authority's website. All test methods required for developing the JMF must be listed on the lab accreditation. A copy of the laboratory's current accreditation and accredited test methods shall be submitted to the Engineer prior to start of construction.

403-3.5 Test section. [A test section is not required.] [Prior to full production, the Contractor shall prepare and place a quantity of HMA according to the JMF. The amount of HMA shall be sufficient to construct a test section [] long and [] wide, placed in two lanes, with a longitudinal cold joint, and shall be of the same depth specified for the construction of the course which it represents. A cold joint for this test section is an exposed construction joint at least four (4) hours old or whose mat has cooled to less than 160°F (71°C). The cold joint must be cut back using the same procedure that will be used during production in accordance with 403-4.12. The underlying grade or pavement structure upon which the test section is to be constructed shall be the same as the remainder of the course represented by the test section. The equipment used in construction of the test section shall be the same type and weight to be used on the remainder of the course represented by the test section.

The test section shall be evaluated for acceptance as a single lot in accordance with the acceptance criteria in paragraph 403-5.1 and 403-

5.2. The test section shall be divided into equal sublots. As a minimum the test section shall consist of three (3) sublots.

The test section shall be considered acceptable if the average mat density of the test section cores is greater than or equal to 96% and the average joint density of the test section cores is greater than or equal to 94%.

If the initial test section should prove to be unacceptable, the necessary adjustments to the JMF, plant operation, placing procedures, and/or rolling procedures shall be made. A second test section shall then be placed. If the second test section also does not meet specification requirements, both sections shall be removed at the Contractor's expense. Additional test sections, as required, shall be constructed and evaluated for conformance to the specifications. Any additional sections that are not acceptable shall be removed at the Contractor's expense. Full production shall not begin until an acceptable test section has been constructed and accepted in writing by the Engineer. Once an acceptable test section has been placed, payment for the initial test section and the section that meets specification requirements shall be made in accordance with paragraph 403-8.1.

Job mix control testing shall be performed by the Contractor at the start of plant production and in conjunction with the calibration of the plant for the JMF. If the aggregates produced by the plant do not satisfy the gradation requirements or produce a mix that meets the JMF, it will be necessary to reevaluate and redesign the mix using plant-produced aggregates. Specimens shall be prepared and the optimum asphalt content determined in the same manner as for the original JMF tests.

Contractor will not be allowed to place the test section until the Contractor Quality Control Program, showing conformance with the requirements of paragraph 403-6.1, has been approved, in writing, by the Engineer.]

The test section should be a minimum of 300 feet (90 m) long and 20 to 30 feet (6 to 9 m) wide. The test section gives the Contractor and the Engineer an opportunity to determine the quality of the mixture in place, as well as performance of the plant and laydown equipment.

For large projects, the size of the test section may be increased so it is representative of the plant production and paving operation. The size of the test section should not be increased more than 50% above the minimum.

For small projects less than 3,000 tons (2722 metric tons), the Engineer, with the FAA's consent, will determine if the test strip is required.

CONSTRUCTION METHODS

403-4.1 Weather limitations. The HMA shall not be placed upon a wet surface or when the surface temperature of the underlying course is less than specified in Table 4. The temperature requirements may be waived by the Engineer, if requested; however, all other requirements including compaction shall be met.

Table 4. Surface Temperature Limitations of Underlying Course

Mat Thickness	Base Temperature (Minimum)	
	Degrees F	Degrees C
3 inches (7.5 cm) or greater	40	4
Greater than 2 inches (50 mm) but less than 3 inches (7.5 cm)	45	7

403-4.2 HMA plant. Plants used for the preparation of HMA shall conform to the requirements of American Association of State Highway and Transportation Officials (AASHTO) M156 with the following changes:

a. Requirements for all plants include:

(1) Truck scales. The HMA shall be weighed on approved scales furnished by the Contractor, or on certified public scales at the Contractor's expense. Scales shall be inspected and sealed as often as the Engineer deems necessary to assure their accuracy. Scales shall conform to the requirements of the General Provisions, subsection 90-01.

In lieu of scales, and as approved by the Engineer, HMA weights may be determined by the use of an electronic weighing system equipped with an automatic printer that weighs the total HMA production and as often thereafter as requested by the Engineer.

(2) Testing facilities. The Contractor shall ensure laboratory facilities are provided at the plant for the use of the Engineer. The lab shall have sufficient space and equipment so that both testing representatives (Engineer's and Contractor's) can operate efficiently. The lab shall meet the requirements of ASTM D3666 including all necessary equipment, materials, and current reference standards to comply with the specifications and masonry saw with diamond blade for trimming pavement cores and samples. The plant testing laboratory shall have a floor space area of not less than 200 square feet (18.5 sq m), with a ceiling height of not less than 7-1/2 feet (2 m). The laboratory shall be weather tight, sufficiently heated in cold weather, air-conditioned in hot weather to maintain temperatures for testing purposes of 70°F ±5°F (21°C ±2.3°C). The plant testing laboratory shall be located on the plant site to provide an unobstructed view, from one of its windows, of the trucks being loaded with the plant mix materials. In addition, the facility shall include the minimum:

- (a) Adequate artificial lighting.
- (b) Electrical outlets sufficient in number and capacity for operating the required testing equipment and drying samples.
- (c) A minimum of two (2) Underwriter's Laboratories approved fire extinguishers of the appropriate types and class.
- (d) Work benches for testing.
- (e) Desk with chairs and file cabinet.
- (f) Sanitary facilities convenient to testing laboratory.
- (g) Exhaust fan to outside air.

(h) Sink with running water.

Failure to provide the specified facilities shall be sufficient cause for disapproving HMA plant operations.

Laboratory facilities shall be kept clean, and all equipment shall be maintained in proper working condition. The Engineer shall be permitted unrestricted access to inspect the Contractor’s laboratory facility and witness quality control activities. The Engineer will advise the Contractor in writing of any noted deficiencies concerning the laboratory facility, equipment, supplies, or testing personnel and procedures. When the deficiencies are serious enough to be adversely affecting the test results, the incorporation of the materials into the work shall be suspended immediately and will not be permitted to resume until the deficiencies are satisfactorily corrected.

(3) Inspection of plant. The Engineer, or Engineer’s authorized representative, shall have access, at all times, to all areas of the plant for checking adequacy of equipment; inspecting operation of the plant: verifying weights, proportions, and material properties; and checking the temperatures maintained in the preparation of the mixtures.

(4) Storage bins and surge bins. The HMA stored in storage and surge bins shall meet the same requirements as HMA loaded directly into trucks and may be permitted under the following conditions:

- (a) Stored in non-insulated bins for a period of time not to exceed three (3) hours.
- (b) Stored in insulated storage bins for a period of time not to exceed eight (8) hours.

If the Engineer determines that there is an excessive amount of heat loss, segregation or oxidation of the HMA due to temporary storage, no temporary storage will be allowed.

403-4.3 Hauling equipment. Trucks used for hauling HMA shall have tight, clean, and smooth metal beds. To prevent the HMA from sticking to the truck beds, the truck beds shall be lightly coated with a minimum amount of paraffin oil, lime solution, or other material approved by the Engineer. Petroleum products shall not be used for coating truck beds. Each truck shall have a suitable cover to protect the mixture from adverse weather. When necessary, to ensure that the mixture will be delivered to the site at the specified temperature, truck beds shall be insulated or heated and covers shall be securely fastened.

403-4.3.1 Material transfer vehicle (MTV). [A material transfer vehicle is not required.] [Material transfer Vehicles shall be required due to the improvement in smoothness and decrease in both physical and thermal segregation. To transfer the material from the hauling equipment to the paver, use a self-propelled, material transfer vehicle with a swing conveyor that can deliver material to the paver without making contact with the paver. The MTV shall be able to move back and forth between the hauling equipment and the paver providing material transfer to the paver, while allowing the paver to operate at a constant speed. The Material Transfer Vehicle will have remixing and storage capability to prevent physical and thermal segregation.]

An MTV is required for runway and taxiway construction on pavements designed for aircraft weighing 100,000 lbs (45360 kg) or more. The MTV is recommended for all pavements where the weight of the MTV will not damage the pavement structure. The use of an MTV is optional for shoulder construction.

403-4.4 HMA pavers. HMA pavers shall be self-propelled with an activated heated screed, capable of spreading and finishing courses of HMA that will meet the specified thickness, smoothness, and grade.

The paver shall have sufficient power to propel itself and the hauling equipment without adversely affecting the finished surface.

The paver shall have a receiving hopper of sufficient capacity to permit a uniform spreading operation. The hopper shall be equipped with a distribution system to place the HMA uniformly in front of the screed without segregation. The screed shall effectively produce a finished surface of the required evenness and texture without tearing, shoving, or gouging the mixture.

If, during construction, it is found that the spreading and finishing equipment in use leaves tracks or indented areas, or produces other blemishes in the pavement that are not satisfactorily corrected by the scheduled operations, the use of such equipment shall be discontinued and satisfactory equipment shall be provided by the Contractor.

403-4.4.1 Automatic grade control. The HMA paver shall be equipped with a control system capable of automatically maintaining the specified screed elevation. The control system shall be automatically actuated from either a reference line and/or through a system of mechanical sensors or sensor-directed mechanisms or devices that will maintain the paver screed at a predetermined transverse slope and at the proper elevation to obtain the required surface. The transverse slope controller shall be capable of maintaining the screed at the desired slope within $\pm 0.1\%$.

The controls shall be capable of working in conjunction with any of the following attachments:

- a. Ski-type device of not less than 30 feet (9 m) in length
- b. Taut stringline (wire) set to grade
- c. Short ski or shoe
- d. Laser control

Other attachments will require approval by the FAA.

403-4.5 Rollers. Rollers of the vibratory, steel wheel, and pneumatic-tired type shall be used. They shall be in good condition, capable of operating at slow speeds to avoid displacement of the HMA. The number, type, and weight of rollers shall be sufficient to compact the HMA to the required density while it is still in a workable condition.

All rollers shall be specifically designed and suitable for compacting hot mix bituminous concrete and shall be properly used. Rollers that impair the stability of any layer of a pavement structure or underlying soils shall not be used. Depressions in pavement surfaces caused by rollers shall be repaired by the Contractor at their own expense.

The use of equipment that causes crushing of the aggregate will not be permitted.

403-4.5.1 Density device. The Contractor shall have on site a density gauge during all paving operations in order to assist in the determination of the optimum rolling pattern, type of roller and frequencies, as well as to monitor the effect of the rolling operations during production paving. The Contractor shall also supply a qualified technician during all paving operations to calibrate the density gauge and obtain accurate density readings for all new HMA. These densities shall be supplied to the Engineer upon request at any time during construction. No separate payment will be made for supplying the density gauge and technician.

403-4.6 Preparation of asphalt binder. The asphalt binder shall be heated in a manner that will avoid local overheating and provide a continuous supply of the bituminous material to the mixer at a uniform

temperature. The temperature of the unmodified asphalt binder delivered to the mixer shall be sufficient to provide a suitable viscosity for adequate coating of the aggregate particles, but shall not exceed 325°F (160°C) when added to the aggregate. The temperature of modified asphalt binder shall be no more than 350°F (175°C) when added to the aggregate.

403-4.7 Preparation of mineral aggregate. The aggregate for the HMA shall be heated and dried. The maximum temperature and rate of heating shall be such that no damage occurs to the aggregates. The temperature of the aggregate and mineral filler shall not exceed 350°F (175°C) when the asphalt binder is added. Particular care shall be taken that aggregates high in calcium or magnesium content are not damaged by overheating. The temperature shall not be lower than is required to obtain complete coating and uniform distribution on the aggregate particles and to provide a mixture of satisfactory workability.

403-4.8 Preparation of HMA. The aggregates and the asphalt binder shall be weighed or metered and introduced into the mixer in the amount specified by the JMF.

The combined materials shall be mixed until the aggregate obtains a uniform coating of asphalt binder and is thoroughly distributed throughout the mixture. Wet mixing time shall be the shortest time that will produce a satisfactory mixture, but not less than 25 seconds for batch plants. The wet mixing time for all plants shall be established by the Contractor, based on the procedure for determining the percentage of coated particles described in ASTM D2489, for each individual plant and for each type of aggregate used. The wet mixing time will be set to achieve 95% of coated particles. For continuous mix plants, the minimum mixing time shall be determined by dividing the weight of its contents at operating level by the weight of the mixture delivered per second by the mixer. The moisture content of all HMA upon discharge shall not exceed 0.5%.

For batch plants, wet mixing time begins with the introduction of asphalt binder into the mixer and ends with the opening of the mixer discharge gate. Distribution of aggregate and asphalt binder as they enter the pugmill, speed of mixer shafts, and arrangement and pitch of paddles are factors governing efficiency of mixing. Prolonged exposure to air and heat in the pugmill hardens the asphalt film on the aggregate. Mixing time, therefore, should be the shortest time required to obtain uniform distribution of aggregate sizes and thorough coating of aggregate particles with asphalt binder.

403-4.9 Preparation of the underlying surface. Immediately before placing the HMA, the underlying course shall be cleaned of all dust and debris. [A [prime coat][and][tack coat] shall be applied in accordance with [Item P-602][and][P-603], if shown on the plans.]

Engineer should evaluate the presence of paint and rubber deposits on the existing pavement and, if needed, may specify milling, grinding or other suitable means to remove same prior to placement of new HMA.

403-4.10 Laydown plan, transporting, placing, and finishing. Prior to the placement of the HMA, the Contractor shall prepare a laydown plan for approval by the Engineer. This is to minimize the number of cold joints in the pavement. The laydown plan shall include the sequence of paving laydown by stations, width of lanes, temporary ramp locations, and laydown temperature. The laydown plan shall also include

estimated time of completion for each portion of the work (that is, milling, paving, rolling, cooling, etc.). Modifications to the laydown plan shall be approved by the Engineer.

The HMA shall be transported from the mixing plant to the site in vehicles conforming to the requirements of paragraph 403-4.3. Deliveries shall be scheduled so that placing and compacting of HMA is uniform with minimum stopping and starting of the paver. Hauling over freshly placed material shall not be permitted until the material has been compacted, as specified, and allowed to cool to atmospheric temperature.

[The Contractor shall use a material transfer vehicle to deliver HMA to the paver.]

An MTV is required for runway and taxiway construction on pavements designed for aircraft weighing 100,000 lbs (45360 kg) or more. The MTV is recommended for all pavements where the weight of the MTV will not damage the pavement structure. The use of an MTV is optional for shoulder construction.

The alignment and elevation of the paver shall be regulated from outside reference lines established for this purpose for the first lift of all runway and taxiway pavements. Successive lifts of HMA surface course may be placed using a ski, or laser control per paragraph 403-4.4.1, provided grades of the first lift of bituminous surface course meet the tolerances of paragraphs 403-5.2b(5) as verified by a survey. Contractor shall survey each lift of HMA surface course and certify to Engineer that every lot of each lift meets the grade tolerances of paragraph 403-5.2b(5) before the next lift can be placed.

The initial placement and compaction of the HMA shall occur at a temperature suitable for obtaining density, surface smoothness, and other specified requirements but not less than 250°F (121°C).

Edges of existing HMA pavement abutting the new work shall be saw cut and carefully removed as shown on the drawings and coated with asphalt tack coat before new material is placed against it.

Upon arrival, the mixture shall be placed to the full width by a bituminous paver. It shall be struck off in a uniform layer of such depth that, when the work is completed, it shall have the required thickness and conform to the grade and contour indicated. The speed of the paver shall be regulated to eliminate pulling and tearing of the HMA mat. Unless otherwise permitted, placement of the HMA shall begin along the centerline of a crowned section or on the high side of areas with a one-way slope. The HMA shall be placed in consecutive adjacent strips having a minimum width of [___] feet (m) except where edge lanes require less width to complete the area. Additional screed sections shall not be attached to widen paver to meet the minimum lane width requirements specified above unless additional auger sections are added to match. The longitudinal joint in one course shall offset the longitudinal joint in the course immediately below by at least one foot (30 cm); however, the joint in the surface top course shall be at the centerline of crowned pavements. Transverse joints in one course shall be offset by at least 10 feet (3 m) from transverse joints in the previous course.

Transverse joints in adjacent lanes shall be offset a minimum of 10 feet (3 m).

On areas where irregularities or unavoidable obstacles make the use of mechanical spreading and finishing equipment impractical, the HMA may be spread and luted by hand tools.

Areas of segregation in the course, as determined by the Engineer, shall be removed and replaced at the Contractor's expense. The area shall be removed by saw cutting and milling a minimum of 2 inches (50 mm) deep. The area to be removed and replaced shall be a minimum width of the paver and a minimum of 10 feet (3 m) long.

The Engineer should add more detail as appropriate to areas that require removal and replacements. The Engineer should specify the widest paving lane practicable in an effort to hold the number of longitudinal joints to a minimum.

403-4.11 Compaction of HMA. After placing, the HMA shall be thoroughly and uniformly compacted by power rollers. The surface shall be compacted as soon as possible when the mixture has attained sufficient stability so that the rolling does not cause undue displacement, cracking or shoving. The sequence of rolling operations and the type of rollers used shall be at the discretion of the Contractor. The speed of the roller shall, at all times, be sufficiently slow to avoid displacement of the hot mixture and be effective in compaction. Any displacement occurring as a result of reversing the direction of the roller, or from any other cause, shall be corrected at once.

Sufficient rollers shall be furnished to handle the output of the plant. Rolling shall continue until the surface is of uniform texture, true to grade and cross-section, and the required field density is obtained. To prevent adhesion of the mixture to the roller, the wheels shall be equipped with a scraper and kept properly moistened using a water soluble asphalt release agent approved by the Engineer.

In areas not accessible to the roller, the mixture shall be thoroughly compacted with approved power driven tampers. Tampers shall weigh not less than 275 pounds (125 kg), have a tamping plate width not less than 15 inches (38 cm), be rated at not less than 4,200 vibrations per minute, and be suitably equipped with a standard tamping plate wetting device.

Any HMA that becomes loose and broken, mixed with dirt, contains check-cracking, or in any way defective shall be removed and replaced with fresh hot mixture and immediately compacted to conform to the surrounding area. This work shall be done at the Contractor’s expense. Skin patching shall not be allowed.

403-4.12 Joints. The formation of all joints shall be made in such a manner as to ensure a continuous bond between the courses and obtain the required density. All joints shall have the same texture as other sections of the course and meet the requirements for smoothness and grade. The roller shall not pass over the unprotected end of the freshly laid HMA except when necessary to form a transverse joint. When necessary to form a transverse joint, it shall be made by means of placing a bulkhead or by tapering the course. The tapered edge shall be cut back to its full depth and width on a straight line to expose a vertical face prior to placing the adjacent lane. In both methods, all contact surfaces shall be coated with an asphalt tack coat before placing any fresh HMA against the joint.

Longitudinal joints which are have been left exposed for more than four (4) hours; the surface temperature has cooled to less than 175°F (80°C); or are irregular, damaged, uncompacted or otherwise defective shall be cut back [3 inches (75 mm) to 6 inches (150 mm)] to expose a clean, sound, uniform vertical surface for the full depth of the course. All cutback material shall be removed from the project. A asphalt tack coat or other product approved by the Engineer shall be applied to the clean, dry joint prior to placing any additional fresh HMA against the joint. Any laitance produced from cutting joints shall be removed by vacuuming and washing. The cost of this work shall be considered incidental to the cost of the HMA.

The Contractor may provide additional joint density quality control by use of joint heaters at the Contractor’s expense. Electrically powered infrared heating equipment should consists of one or more low-level radiant energy heaters to uniformly heat and soften the pavement joints. The heaters should be configured to

uniformly heat an area up to 18 inches (0.5 m) in width and 3 inches (75 mm) in depth. Infrared equipment shall be thermostatically controlled to provide a uniform, consistent temperature increase throughout the layer being heated up to a maximum temperature range of 200°F to 300°F (93°C to 150°C).

Propane powered infrared heating equipment shall be attached to the paving machine and the output of infrared energy shall be in the one to six micron range. Converters shall be arranged end to end directly over the joint to be heated in sufficient numbers to continuously produce, when in operation, a minimum of 240,000 BTU per hour. The joint heater shall be positioned not more than one inch (25 mm) above the pavement to be heated and in front of the paver screed and shall be fully adjustable. Heaters will be required to be in operation at all times.

The heaters shall be operated so they do not produce excessive heat when the units pass over new or previously paved material.

403-4.13 Diamond grinding. When required, diamond grinding shall be accomplished by sawing with saw blades impregnated with industrial diamond abrasive. The saw blades shall be assembled in a cutting head mounted on a machine designed specifically for diamond grinding that will produce the required texture and smoothness level without damage to the pavement. The saw blades shall be 1/8-inch (3-mm) wide and there shall be a minimum of 55 to 60 blades per 12 inches (300 mm) of cutting head width; the actual number of blades will be determined by the Contractor and depend on the hardness of the aggregate. Each machine shall be capable of cutting a path at least 3 feet (0.9 m) wide. Equipment that causes ravels, aggregate fractures, spalls or disturbance to the pavement will not be permitted. The depth of grinding shall not exceed 1/2 inch (13mm) and all areas in which diamond grinding has been performed will be subject to the final pavement thickness tolerances specified. Grinding will be tapered in all directions to provide smooth transitions to areas not requiring grinding. Areas that have been ground will be sealed with a P-608 surface treatment as directed by the Engineer. It may be necessary to seal a larger area to avoid surface treatment creating any conflict with runway or taxiway markings.

403-4.14 Nighttime Paving Requirements. Paving during nighttime construction shall require the following:

a. All paving machines, rollers, distribution trucks and other vehicles required by the Contractor for his operations shall be equipped with artificial illumination sufficient to safely complete the work.

b. Minimum illumination level shall be 20 horizontal foot-candles and maintained in the following areas:

(1) An area of 30 feet (9 m) wide by 30 feet (9 m) long immediately behind the paving machines during the operations of the machines.

(2) An area 15 feet (4.5 m) wide by 30 feet (9 m) long immediately in front and back of all rolling equipment, during operation of the equipment.

(3) An area 15 feet (4.5 m) wide by 15 feet (4.5 m) long at any point where an area is being tack coated prior to the placement of pavement.

c. As partial fulfillment of the above requirements, the Contractor shall furnish and use, complete artificial lighting units with a minimum capacity of 3,000 watt electric beam lights, affixed to all equipment in such a way to direct illumination on the area under construction.

d. A lighting plan must be submitted by the Contractor and approved by the Engineer prior to the start of any nighttime work.

National Cooperative Highway Research Program (NCHRP) Report 498, Illumination Guidelines for Nighttime Highway Work contains useful information for anyone involved in nighttime construction and maintenance work. The report is available on the Transportation Research Board (TRB) website: http://onlinepubs.trb.org/onlinepubs/nchrp/nchrp_rpt_498.pdf

If nighttime paving requires the critical re-opening of airfield facilities, the following additional language should be added:

“If the Contractor places any out of specification mix in the project work area, the Contractor is required to remove it at its own expense, to the satisfaction of the Engineer. If the Contractor has to continue placing non-payment HMA, as directed by the Engineer, to make the surfaces safe for aircraft operations, the Contractor shall do so to the satisfaction of the Engineer. It is the Contractor’s responsibility to leave the facilities to be paved in a safe condition ready for aircraft operations. No consideration for extended closure time of the area being paved will be given. As a first order of work for the next paving shift, the Contractor shall remove all out of specification material and replace with approved material to the satisfaction of the Engineer. When the above situations occur, there will be no consideration given for additional construction time or payment for extra costs.”

MATERIAL ACCEPTANCE

403-5.1 Acceptance sampling and testing. Unless otherwise specified, all acceptance sampling and testing necessary to determine conformance with the requirements specified in this section will be performed by the Engineer at no cost to the Contractor except that coring as required in this section shall be completed and paid for by the Contractor.

Testing organizations performing these tests shall be accredited in accordance with ASTM D3666. The laboratory accreditation must be current and listed on the accrediting authority’s website. All test methods required for acceptance sampling and testing must be listed on the lab accreditation. A copy of the laboratory’s current accreditation and accredited test methods shall be submitted to the Engineer prior to start of construction. All equipment in Contractor furnished laboratories shall be calibrated by an independent testing organization prior to the start of operations.

a. Hot mixed asphalt. Plant-produced HMA shall be tested for air voids [___] on a lot basis. Sampling shall be from material deposited into trucks at the plant or from trucks at the job site. Samples shall be taken in accordance with ASTM D979.

If Marshal Method is selected, insert the following above:

“and stability and flow”

A standard lot shall be equal to one day’s production or 2000 tons (1814 metric tons) whichever is smaller. If the day’s production is expected to exceed 2000 tons (1814 metric tons), but less than 4000 tons (3628 metric tons), the lot size shall be 1/2 day’s production. If the day’s production exceeds 4000

tons (3628 metric tons), the lot size shall be an equal sized fraction of the day’s production, but shall not exceed 2000 tons (1814 metric tons).

Where more than one plant is simultaneously producing HMA for the job, the lot sizes shall apply separately for each plant.

(1) Sampling. Each lot will consist of four equal sublots. Sufficient HMA for preparation of test specimens for all testing will be sampled by the Engineer on a random basis, in accordance with the procedures contained in ASTM D3665. Samples will be taken in accordance with ASTM D979.

The sample of HMA may be put in a covered metal tin and placed in an oven for not less than 30 minutes nor more than 60 minutes to stabilize to compaction temperature. The compaction temperature of the specimens shall be as specified in the JMF.

Engineer should increase hold times to not less than 60 minutes and not more than 90 minutes when absorptive aggregates are used.

(2) Testing. [___]

For Marshall Method, insert:

Sample specimens shall be tested for stability and flow in accordance with ASTM D6927. Air voids will be determined by the Engineer in accordance with ASTM D3203. One set of laboratory compacted specimens will be prepared for each subplot in accordance with ASTM D6926 at the number of blows required by paragraph 403-3.2, Table 1. Each set of laboratory compacted specimens will consist of three test specimens prepared from the same sample. The manual hammer in ASTM D6926 shall be used.

For Gyrotory Method, insert:

Air voids will be determined by the Engineer in accordance with ASTM D3203. One set of laboratory compacted specimens will be prepared for each subplot in accordance with ASTM D6925 at the number of gyrations required by paragraph 403-3.2, Table 1. Each set of laboratory compacted specimens will consist of three test specimens prepared from the same sample.

Prior to testing, the bulk specific gravity of each test specimen shall be measured by the Engineer in accordance with [ASTM D2726] [ASTM D6752] using the procedure for laboratory-prepared thoroughly dry specimens for use in computing air voids and pavement density.

The same test procedure shall be selected throughout specification.

For air voids determination, the theoretical maximum specific gravity of the mixture shall be measured one time for each subplot in accordance with ASTM D2041. The value used in the air voids computation for each subplot shall be based on theoretical maximum specific gravity measurement for the subplot.

[The stability and flow for each subplot shall be computed by averaging the results of all test specimens representing that subplot.]

For Gyratory Method, delete above bracketed sentence.

(3) Acceptance. []

For Marshall Method, insert:

Acceptance of plant produced HMA for stability, flow, and air voids shall be determined by the Engineer in accordance with the requirements of paragraph 403-5.1.

For Gyratory Method, insert:

Acceptance of plant produced HMA for air voids shall be determined by the Engineer in accordance with the requirements of paragraph 403-5.1.

b. In-place HMA. HMA placed in the field shall be tested for mat and joint density on a lot basis. A standard lot shall be equal to one day’s production or 2000 tons (1814 metric tons) whichever is smaller. If the day’s production is expected to exceed 2000 tons (1814 metric tons), but less than 4000 tons (3628 metric tons), the lot size shall be 1/2 day’s production. If the day’s production exceeds 4000 tons (3628 metric tons), the lot size shall be an equal sized fraction of the day’s production, but shall not exceed 2000 tons (1814 metric tons).

(1) Mat density. The lot size shall be the same as that indicated in paragraph 403-5.1a The lot shall be divided into four equal sublots. One core of finished, compacted HMA shall be taken by the Contractor from each subplot. Core locations will be determined by the Engineer on a random basis in accordance with procedures contained in ASTM D3665. Cores for mat density shall not be taken closer than one foot (30 cm) from a transverse or longitudinal joint.

(2) Joint density. The lot size shall be the total length of longitudinal joints constructed by a lot of HMA as defined in paragraph 403-5.1a. The lot shall be divided into four equal sublots. One core of finished, compacted HMA shall be taken by the Contractor from each subplot. Core locations will be determined by the Engineer on a random basis in accordance with procedures contained in ASTM D3665. All cores for joint density shall be taken centered on the joint. The minimum core diameter for joint density determination shall be 5 inches (125 mm).

(3) Sampling. Samples shall be neatly cut with a diamond core drill bit. Samples will be taken in accordance with ASTM D979. The minimum diameter of the sample shall be 5 inches (125 mm). Samples that are defective, as a result of sampling, shall be discarded and another sample taken. The Contractor shall furnish all tools, labor, and materials for cutting samples, cleaning, and filling the cored pavement. Cored pavement shall be cleaned and core holes shall be filled in a manner acceptable to the Engineer and within one day after sampling. Laitance produced by the coring operation shall be removed immediately. The top most lift of bituminous material shall be completely bonded to the underlying layers

of bituminous material. If any of the cores reveal that the surface is not bonded to the bituminous layer immediately below the surface then additional cores shall be taken as directed by the Engineer in accordance with paragraph 403-5.1b to determine the extent of any delamination. All delaminated areas shall be completely removed by milling to the limits and depth and replaced as directed by the Engineer at no additional cost.

(4) Testing. The bulk specific gravity of each cored sample will be measured by the Engineer in accordance with [ASTM D2726] [ASTM D6752]. Samples will be taken in accordance with ASTM D979. The percent compaction (density) of each sample will be determined by dividing the bulk specific gravity of each subplot sample by the average bulk specific gravity of all laboratory prepared specimens for the lot, as determined in paragraph 403-5.1a(2). The bulk specific gravity used to determine the joint density at joints formed between different lots shall be the lowest of the bulk specific gravity values from the two different lots.

The same test procedure shall be selected throughout specification.

(5) Acceptance. Acceptance of field placed HMA for mat density will be determined by the Engineer in accordance with the requirements of paragraph 403-5.2b(1). Acceptance for joint density will be determined by the Engineer in accordance with the requirements of paragraph 403-5.2b(2).

c. Partial lots HMA. When operational conditions cause a lot to be terminated before the specified number of tests have been made for the lot, or when the Contractor and Engineer agree in writing to allow overages or other minor tonnage placements to be considered as partial lots, the following procedure will be used to adjust the lot size and the number of tests for the lot.

The last batch produced where production is halted will be sampled, and its properties shall be considered as representative of the particular subplot from which it was taken. In addition, an agreed to minor placement will be sampled, and its properties shall be considered as representative of the particular subplot from which it was taken. Where three sublots are produced, they shall constitute a lot. Where one or two sublots are produced, they shall be incorporated into the next lot, and the total number of sublots shall be used in the acceptance plan calculation, that is, $n = 5$ or $n = 6$, for example. Partial lots at the end of asphalt production on the project shall be included with the previous lot. The lot size for field placed material shall correspond to that of the plant material, except that, in no cases, shall less than three (3) cored samples be obtained, that is, $n = 3$.

403-5.2 Acceptance criteria.

a. General. Acceptance will be based on the following characteristics of the HMA and completed pavement and test results:

- (1) Air Voids
- (2) Mat density
- (3) Joint density
- (4) Thickness
- (5) Smoothness
- (6) Grade
- [(7) Stability
- (8) Flow]

For Gyrotory Method, delete Items 7 and 8.

Mat density will be evaluated for acceptance in accordance with paragraph 403-5.2b(1).
[Stability and flow will be evaluated for acceptance in accordance with paragraph 403-5.1.] Joint density will be evaluated for acceptance in accordance with paragraph 403-5.2b(2).

For Gyrotory Method, delete the bracketed information above.

Thickness will be evaluated by the Engineer for compliance in accordance with paragraph 403-5.2b(3). Acceptance for smoothness will be based on the criteria contained in paragraph 403-5.2b(4). Acceptance for grade will be based on the criteria contained in paragraph 403-5.2b(5).

The Engineer may at any time reject and require the Contractor to dispose of any batch of HMA which is rendered unfit for use due to contamination, segregation, incomplete coating of aggregate, or improper mix temperature. Such rejection may be based on only visual inspection or temperature measurements. In the event of such rejection, the Contractor may take a representative sample of the rejected material in the presence of the Engineer, and if it can be demonstrated in the laboratory, in the presence of the Engineer, that such material was erroneously rejected, payment will be made for the material at the contract unit price.

b. Acceptance criteria.

(1) **Mat density.** Acceptance of each lot of plant produced material for mat density shall be based on the average of all of the densities taken from the sublots. If the average mat density of the lot so established equals or exceeds 96%, the lot shall be acceptable. If the average mat density of the lot is below 96%, the lot shall be removed and replaced at the Contractor’s expense.

(2) **Joint density.** Acceptance of each lot of plant produced HMA for joint density shall be based on the average of all of the joint densities taken from the sublots. If the average joint density of the lot so established equals or exceeds 94%, the lot shall be acceptable. If the average joint density of the lot is less than 94%, the Contractor shall stop production and evaluate the method of compacting joints. Production may resume once the reason for poor compaction has been determined and appropriate measures have been taken to ensure proper compaction.

(3) **Thickness.** Thickness of each course shall be evaluated by the Engineer for compliance to the requirements shown on the plans. Measurements of thickness shall be made by the Engineer using the cores extracted for each subplot for density measurement. The maximum allowable deficiency at any point shall not be more than 1/4 inch (6 mm) less than the thickness indicated for the lift. Average thickness of lift, or combined lifts, shall not be less than the indicated thickness. Where thickness deficiency exceeds the specified tolerances, the lot or subplot shall be corrected by the Contractor at his expense by removing the deficient area and replacing with new pavement. The Contractor, at his expense, may take additional cores as approved by the Engineer to circumscribe the deficient area.

[(4) **Smoothness.** The final surface shall be free from roller marks. After final rolling, but not later than 24 hours after placement, the surface of each lot shall be tested in both longitudinal and transverse directions for smoothness to reveal all

surface irregularities exceeding the tolerances specified. The Contractor shall furnish paving equipment and employ methods that produce a surface for each pavement lot such that the finished surface course of the pavement shall not vary more than 1/4 inch (6mm) when evaluated with a 12-foot (3.7m) straightedge. When the surface course smoothness exceeds specification tolerances which cannot be corrected by diamond grinding of the surface course, full depth removal and replacement of surface course corrections shall be to the limit of the longitudinal placement. Corrections involving diamond grinding will be subject to the final pavement thickness tolerances specified. The Contractor shall apply a surface treatment per Item P-608 to all areas that have been subject to grinding as directed by the Engineer.

- a. Transverse measurements. Transverse measurements will be taken for each lot placed. Transverse measurements will be taken perpendicular to the pavement centerline each 50 feet (15m) or more often as determined by the Engineer.
 - 1) Testing shall be continuous across all joints, starting with one-half the length of the straightedge at the edge of pavement section being tested and then moved ahead one-half the length of the straightedge for each successive measurement. Smoothness readings will not be made across grade changes or cross slope transitions; at these transition areas, the straightedge position shall be adjusted to measure surface smoothness and not design grade or cross slope transitions. The amount of surface irregularity shall be determined by placing the freestanding (unleveled) straightedge on the pavement surface and allowing it to rest upon the two highest spots covered by its length, and measuring the maximum gap between the straightedge and the pavement surface in the area between these two high points. Deviations on final surface course > 1/4 inch (6mm) in transverse direction shall be corrected with diamond grinding per paragraph 403-4.13 or by removing and replacing full depth of surface course. Grinding will be tapered in all directions to provide smooth transitions to areas not requiring grinding. The area corrected by grinding should not exceed 10% of the total area and these areas shall be retested after grinding.
 - 2) The joint between lots shall be tested separately to facilitate smoothness between lots. The amount of surface irregularity shall be determined by placing the freestanding (unleveled) straightedge on the pavement surface, with half the straightedge on one side of the joint and the other half of the straightedge on the other side of the joint. Measure the maximum gap between the straightedge and the pavement surface in the area between these two high points. One measurement shall be taken at the joint every 50 feet (15m) or more often if directed by the Engineer. Deviations on final

surface course > 1/4 inch (6mm) in transverse direction shall be corrected with diamond grinding per paragraph 403-4.13 or by removing and replacing full depth of surface course. Each measurement shall be recorded and a copy of the data shall be furnished to the Engineer at the end of each days testing.

- 3) Longitudinal measurements. Longitudinal measurements will be taken for each lot placed. Longitudinal tests will be parallel to the centerline of paving; at the center of paving lanes when widths of paving lanes are less than 20 feet (6m); and the third points of paving lanes when widths of paving lanes are 20 ft (6m) or greater. The finished surface shall not vary more than 1/4 inch (6mm) when evaluated with a 12-foot (3.7m) straightedge. Smoothness readings will not be made across grade changes or cross slope transitions; at these transition areas, the straightedge position shall be adjusted to measure surface smoothness and not design grade or cross slope transitions. Testing shall be continuous across all joints, starting with one-half the length of the straightedge at the edge of pavement section being tested and then moved ahead one-half the length of the straightedge for each successive measurement. The amount of surface irregularity shall be determined by placing the freestanding (unleveled) straightedge on the pavement surface and allowing it to rest upon the two highest spots covered by its length, and measuring the maximum gap between the straightedge and the pavement surface in the area between these two high points. Deviations on final surface course > 1/4 inch (6mm) in longitudinal direction will be corrected with diamond grinding per paragraph 403-4.13 or by removing and replacing full depth of surface course. Grinding will be tapered in all directions to provide smooth transitions to areas not requiring grinding. The area corrected by grinding should not exceed 10% of the total area and these areas shall be retested after grinding. The primary purpose of smoothness testing is to identify areas that may be prone to ponding of water which could lead to hydroplaning of aircraft. If the contractor's machines and/or methods are producing significant areas that need corrective actions then production should be stopped until corrective measures can be implemented. If corrective measures are not implemented and when directed by the Engineer, production shall be stopped until corrective measures can be implemented.

Delete the above paragraph for “Smoothness” unless used for surface course.

(5) Grade. Grade shall be evaluated on the first day of placement and then every [___] to allow adjustments to paving operations if measurements do not meet specification requirements. The Contractor must submit the survey data to the Engineer by the following day after measurements have been taken. The finished surface of the pavement shall not vary from the gradeline elevations and cross-sections shown on the plans by more than 1/2 inch (12 mm). The finished grade of each lot will be determined by running levels at intervals of 50 feet (15 m) or less longitudinally and all breaks in grade transversely (not to exceed 50 feet (15 m)) to determine the elevation of the completed pavement. The Contractor shall pay the cost of surveying of the level runs that shall be performed by a licensed surveyor. The documentation, stamped and signed by a licensed surveyor, shall be provided by the Contractor to the Engineer. The lot size shall be [___] square yards (square meters). When more than 15% of all the measurements within a lot are outside the specified tolerance, or if any one shot within the lot deviates 3/4 inch (19 mm) or more from planned grade, the Contractor shall remove the deficient area to the depth of the final course of pavement and replace with new material. Skin patching shall not be permitted. Isolated high points may be ground off providing the course thickness complies with the thickness specified on the plans. High point grinding will be limited to 15 square yard (12.5 sq m). The surface of the ground pavement shall have a texture consisting of grooves between 0.090 and 0.130 inches (2 and 3.5 mm) wide. The peaks and ridges shall be approximately 1/32 inch (1 mm) higher than the bottom of the grooves. The pavement shall be left in a clean condition. The removal of all of the slurry resulting from the grinding operation shall be continuous. The grinding operation should be controlled so the residue from the operation does not flow across other lanes of pavement. Areas in excess of 15 square yard (12.5 sq m) will require removal and replacement of the pavement in accordance with the limitations noted above. Contractor shall apply a surface treatment per P-608 to all areas that have been subject to grinding.

Engineer shall specify the minimum frequency for grade evaluation. A minimum lot size of 2,000 square yard (1,650 sq m) is recommended.

c. Density outliers. If the tests within a lot include a very large or a very small value that appears to be outside the normal limits of variation, check for an outlier in accordance with ASTM E178, at a significance level of 5%, to determine if this value should be discarded.

403-5.3 Resampling Pavement for Mat Density.

a. General. Resampling of a lot of pavement will only be allowed for mat density and then, only if the Contractor requests same in writing, within 48 hours after receiving the written test results from the Engineer. A retest will consist of all the sampling and testing procedures contained in paragraphs 403-5.1. Only one resampling per lot will be permitted.

(1) A redefined mat density shall be calculated for the resampled lot. The number of tests used to calculate the redefined mat density shall include the initial tests made for that lot plus the retests.

(2) The cost for resampling and retesting shall be borne by the Contractor.

b. Payment for resampled lots. The redefined mat density for a resampled lot shall be used to evaluate the acceptance of that lot in accordance with paragraph 403-5.2.

c. Outliers. Check for outliers in accordance with ASTM E178, at a significance level of 5%.

[**403-5.4 Leveling course.** Any course used for trueing and leveling shall meet the aggregate gradation in Table 3, paragraph 403-3.2. The trueing and leveling course shall meet the requirements of paragraph 403-3.2, 403-5.1 for air voids [and for stability and flow], but shall not be subject to the density requirements of paragraph 403-5.1. The leveling course shall be compacted with the same effort used to achieve density of the test section. The trueing and leveling course shall not exceed the maximum lift thickness associated with each gradation in Table 3, paragraph 403-3.2. The leveling course is the first variable thickness lift of an overlay placed prior to subsequent courses.]

Use this paragraph only when there is a need to restore proper cross-section prior to overlaying. Areas of the pavement requiring a leveling course shall be shown on the plans.

For Gyrotory mix design, delete the bracketed information in the above paragraph.

CONTRACTOR QUALITY CONTROL

403-6.1 General. The Contractor shall perform quality control sampling, testing, and inspection during all phases of the work and shall perform them at a rate sufficient to ensure that the work conforms to the contract requirements, and at minimum test frequencies required by paragraph 403-6.3, including but not limited to:

- a. Mix Design
- b. Aggregate Grading
- c. Quality of Materials
- d. Stockpile Management
- e. Proportioning
- f. Mixing and Transportation
- g. Placing and Finishing
- h. Joints
- i. Compaction
- j. Surface smoothness
- k. Personnel
- l. Laydown plan

The Contractor shall perform quality control sampling, testing, and inspection during all phases of the work and shall perform them at a rate sufficient to ensure that the work conforms to the contract requirements, and at minimum test frequencies required by paragraph 403-6.3 and Section 100 of the General Provisions. As a part of the process for approving the Contractor's plan, the Engineer may

require the Contractor’s technician to perform testing of samples to demonstrate an acceptable level of performance.

No partial payment will be made for materials that are subject to specific quality control requirements without an approved plan.

403-6.2 Contractor testing laboratory. The lab shall meet the requirements of ASTM D3666 including all necessary equipment, materials, and current reference standards to comply with the specifications.

403-6.3 Quality control testing. The Contractor shall perform all quality control tests necessary to control the production and construction processes applicable to these specifications and as set forth in the approved Quality Control Program. The testing program shall include, but not necessarily be limited to, tests for the control of asphalt content, aggregate gradation, temperatures, aggregate moisture, field compaction, and surface smoothness. A Quality Control Testing Plan shall be developed as part of the Quality Control Program.

a. Asphalt content. A minimum of two asphalt content tests shall be performed per lot in accordance with ASTM D6307 or ASTM D2172 if the correction factor in ASTM D6307 is greater than 1.0. The asphalt content for the lot will be determined by averaging the test results.

b. Gradation. Aggregate gradations shall be determined a minimum of twice per lot from mechanical analysis of extracted aggregate in accordance with ASTM D5444 and ASTM C136, and ASTM C117.

c. Moisture content of aggregate. The moisture content of aggregate used for production shall be determined a minimum of once per lot in accordance with ASTM C566.

d. Moisture content of HMA. The moisture content of the HMA shall be determined once per lot in accordance with ASTM D1461

ASTM D1461 may be replaced with AASHTO T329 when moisture content will be determined by conventional oven or microwave.

e. Temperatures. Temperatures shall be checked, at least four times per lot, at necessary locations to determine the temperatures of the dryer, the asphalt binder in the storage tank, the HMA at the plant, and the HMA at the job site.

f. In-place density monitoring. The Contractor shall conduct any necessary testing to ensure that the specified density is being achieved. A nuclear gauge may be used to monitor the pavement density in accordance with ASTM D2950.

g. Additional testing. Any additional testing that the Contractor deems necessary to control the process may be performed at the Contractor’s option.

h. Monitoring. The Engineer reserves the right to monitor any or all of the above testing.

403-6.4 Sampling. When directed by the Engineer, the Contractor shall sample and test any material that appears inconsistent with similar material being sampled, unless such material is voluntarily removed and replaced or deficiencies corrected by the Contractor. All sampling shall be in accordance with standard procedures specified.

403-6.5 Control charts. The Contractor shall maintain linear control charts both for individual measurements and range (i.e., difference between highest and lowest measurements) for aggregate gradation, asphalt content, and VMA. The VMA for each subplot will be calculated and monitored by the Quality Control laboratory.

Control charts shall be posted in a location satisfactory to the Engineer and shall be kept current. As a minimum, the control charts shall identify the project number, the contract item number, the test number, each test parameter, the Action and Suspension Limits applicable to each test parameter, and the Contractor's test results. The Contractor shall use the control charts as part of a process control system for identifying potential problems and assignable causes before they occur. If the Contractor's projected data during production indicates a problem and the Contractor is not taking satisfactory corrective action, the Engineer may suspend production or acceptance of the material.

a. Individual measurements. Control charts for individual measurements shall be established to maintain process control within tolerance for aggregate gradation, asphalt content, and VMA. The control charts shall use the JMF target values as indicators of central tendency for the following test parameters with associated Action and Suspension Limits:

Control Chart Limits For Individual Measurements		
Sieve	Action Limit	Suspension Limit
3/4 inch (19 mm)	±6%	±9%
1/2 inch (12 mm)	±6%	±9%
3/8 inch (9 mm)	±6%	±9%
No. 4 (4.75 mm)	±6%	±9%
No. 16 (1.18 mm)	±5%	±7.5%
No. 50 (0.30 mm)	±3%	±4.5%
No. 200 (0.075 mm)	±2%	±3%
Asphalt Content	±0.45%	±0.70%
VMA	-1.00%	-1.5%

b. Range. Control charts for range shall be established to control process variability for the test parameters and Suspension Limits listed below. The range shall be computed for each lot as the difference between the two test results for each control parameter. The Suspension Limits specified below are based on a sample size of $n = 2$. Should the Contractor elect to perform more than two tests per lot, the Suspension Limits shall be adjusted by multiplying the Suspension Limit by 1.18 for $n = 3$ and by 1.27 for $n = 4$.

Control Chart Limits Based On Range (Based On $n = 2$)	
Sieve	Suspension Limit
1/2 inch (12 mm)	11%
3/8 inch (9 mm)	11%
No. 4 (4.75 mm)	11%
No. 16 (1.18 mm)	9%
No. 50 (0.30 mm)	6%
No. 200 (0.075 mm)	3.5%
Asphalt Content	0.8%

c. Corrective action. The Contractor Quality Control Program shall indicate that appropriate action shall be taken when the process is believed to be out of tolerance. The Plan shall contain sets of rules to gauge when a process is out of control and detail what action will be taken to bring the process into

control. As a minimum, a process shall be deemed out of control and production stopped and corrective action taken, if:

- (1) One point falls outside the Suspension Limit line for individual measurements or range; or
- (2) Two points in a row fall outside the Action Limit line for individual measurements.

403-6.6 Quality control reports. The Contractor shall maintain records and shall submit reports of quality control activities daily, in accordance with the Contractor Quality Control Program described in General Provisions, Section 100.

METHOD OF MEASUREMENT

403-7.1 Measurement. Plant mix bituminous concrete pavement shall be measured by the number of tons (kg) of HMA used in the accepted work. Recorded batch weights or truck scale weights will be used to determine the basis for the tonnage.

BASIS OF PAYMENT

403-8.1 Payment. Payment for a lot of HMA meeting all acceptance criteria as specified in paragraph 403-5.2 shall be made at the contract unit price per ton (kg) for HMA. The price shall be compensation for furnishing all materials, for all preparation, mixing, and placing of these materials, and for all labor, equipment, tools, and incidentals necessary to complete the item.

Payment will be made under:

Item P-403-8.1 HMA [___] [Surface] [Base] [Binder] [Leveling] Course
- per ton (kg)

TESTING REQUIREMENTS

AASHTO M156	Standard Specification for Requirements for Mixing Plants for Hot-Mixed, Hot-Laid Bituminous Paving Mixtures
ASTM C29	Standard Test Method for Bulk Density (“Unit Weight”) and Voids in Aggregate
ASTM C88	Standard Test Method for Soundness of Aggregates by Use of Sodium Sulfate or Magnesium Sulfate
ASTM C117	Standard Test Method for Materials Finer than 75- μ m (No. 200) Sieve in Mineral Aggregates by Washing
ASTM C127	Standard Test Method for Density, Relative Density (Specific Gravity), and Absorption of Coarse Aggregate
ASTM C131	Standard Test Method for Resistance to Degradation of Small-Size Coarse Aggregate by Abrasion and Impact in the Los Angeles Machine
ASTM C136	Standard Test Method for Sieve or Screen Analysis of Fine and Coarse Aggregates
ASTM C183	Standard Practice for Sampling and the Amount of Testing of Hydraulic Cement
ASTM C566	Standard Test Method for Total Evaporable Moisture Content of Aggregate by Drying
ASTM D75	Standard Practice for Sampling Aggregates

ASTM D979	Standard Practice for Sampling Bituminous Paving Mixtures
ASTM D1073	Standard Specification for Fine Aggregate for Bituminous Paving Mixtures
ASTM D1074	Standard Test Method for Compressive Strength of Bituminous Mixtures
ASTM D1461	Standard Test Method for Moisture or Volatile Distillates in Bituminous Paving Mixtures
ASTM D2041	Standard Test Method for Theoretical Maximum Specific Gravity and Density of Bituminous Paving Mixtures
ASTM D2172	Standard Test Method for Quantitative Extraction of Bitumen from Bituminous Paving Mixtures
ASTM D2419	Standard Test Method for Sand Equivalent Value of Soils and Fine Aggregate
ASTM D2489	Standard Practice for Estimating Degree of Particle Coating of Bituminous-Aggregate Mixtures
ASTM D2726	Standard Test Method for Bulk Specific Gravity and Density of Non-Absorptive Compacted Bituminous Mixtures
ASTM D2950	Standard Test Method for Density of Bituminous Concrete in Place by Nuclear Methods
ASTM D3203	Standard Test Method for Percent Air Voids in Compacted Dense and Open Bituminous Paving Mixtures
ASTM D3665	Standard Practice for Random Sampling of Construction Materials
ASTM D3666	Standard Specification for Minimum Requirements for Agencies Testing and Inspecting Road and Paving Materials
ASTM D4125	Standard Test Methods for Asphalt Content of Bituminous mixtures by the Nuclear Method
ASTM D4318	Standard Test Methods for Liquid Limit, Plastic Limit, and Plasticity Index of Soils
ASTM D4791	Standard Test Method for Flat Particles, Elongated Particles, or Flat and Elongated Particles in Coarse Aggregate
ASTM D4867	Standard Test Method for Effect of Moisture on Asphalt Concrete Paving Mixtures
ASTM D5444	Standard Test Method for Mechanical Size Analysis of Extracted Aggregate
ASTM D5581	Standard Test Method for Resistance to Plastic Flow of Bituminous Mixtures Using Marshall Apparatus (6 inch-Diameter Specimen)
ASTM D6307	Standard Test Method for Asphalt Content of Hot-Mix Asphalt by Ignition Method
ASTM D6926	Standard Practice for Preparation of Bituminous Specimens Using Marshall Apparatus

[]

For Marshall Method, insert:

ASTM D6927 Standard Test Method for Marshall Stability and Flow of Bituminous Mixtures

For Gyratory Method, insert:

ASTM D6925 Standard Test Method for Preparation and Determination of the Relative Density of Hot Mix Asphalt (HMA) Specimens by Means of the SuperPave Gyratory Compactor

ASTM D6752 Standard Test Method for Bulk Specific Gravity and Density of Compacted Bituminous Mixtures Using Automatic Vacuum Sealing Method

ASTM E11 Standard Specification for Woven Wire Test Sieve Cloth and Test Sieves

ASTM E178 Standard Practice for Dealing with Outlying Observations

AASHTO T030 Standard Method of Test for Mechanical Analysis of Extracted Aggregate

AASHTO T110 Standard Method of Test for Moisture or Volatile Distillates in Hot Mix Asphalt (HMA)

AASHTO T275 Standard Method of Test for Bulk Specific Gravity (Gmb) of Compacted Hot Mix Asphalt (HMA) Using Paraffin-Coated Specimens).

Asphalt Institute Handbook MS-26
Asphalt Binder

Asphalt Institute MS-2 Mix Design Manual, 7th Edition

MATERIAL REQUIREMENTS

ASTM D242 Standard Specification for Mineral Filler for Bituminous Paving Mixtures

ASTM D946 Standard Specification for Penetration-Graded Asphalt Cement for Use in Pavement Construction

ASTM D3381 Standard Specification for Viscosity-Graded Asphalt Cement for Use in Pavement Construction

ASTM D4552 Standard Practice for Classifying Hot-Mix Recycling Agents

ASTM D6373 Standard Specification for Performance Graded Asphalt Binder

END OF ITEM P-403

Part 6 – Rigid Pavement

Item P-501 Portland Cement Concrete (PCC) Pavement

DESCRIPTION

501-1.1 This work shall consist of pavement composed of portland cement concrete (PCC), [with reinforcement] [without reinforcement] constructed on a prepared underlying surface in accordance with these specifications and shall conform to the lines, grades, thickness, and typical cross-sections shown on the plans.

This specification is intended to be used for the surface course for airfield rigid pavements subject to aircraft loadings of gross weights greater than 12,500 pounds (5670 kg) and is to apply within the limits of the pavement designed for full load bearing capacity.

The Engineer shall specify with or without reinforcement.

The dimensions and depth of the PCC shall be as defined by the Engineer's pavement design performed in accordance with advisory circular (AC) 150/5320-6, Airport Pavement Design and Evaluation.

Item P-610, Structural Concrete shall be used for sign bases and other formed concrete structures.

State highway department specifications for materials may be used for access roads, perimeter roads, and other pavements not subject to aircraft loading. When state highway specification are approved, include all applicable/approved state specifications in the contract documents. The use of state highway department specifications for airfield pavements subject to aircraft loading by aircraft > 12,500 pounds and less than 60,000 pounds requires a modification to standards in accordance with FAA Order 5100.1.

MATERIALS

501-2.1 Aggregates.

a. Reactivity. Fine and Coarse aggregates to be used in all concrete shall be evaluated and tested by the Contractor for alkali-aggregate reactivity in accordance with both ASTM C1260 and ASTM C1567. Aggregate and mix proportion reactivity tests shall be performed for each project.

(1) Coarse and fine aggregate shall be tested separately in accordance with ASTM C1260. The aggregate shall be considered innocuous if the expansion of test specimens, tested in accordance with ASTM C1260, does not exceed 0.10% at 28 days (30 days from casting).

(2) Combined coarse and fine aggregate shall be tested in accordance with ASTM C1567, modified for combined aggregates, using the proposed mixture design proportions of aggregates,

cementitious materials, and/or specific reactivity reducing chemicals. If lithium nitrate is proposed for use with or without supplementary cementitious materials, the aggregates shall be tested in accordance with Corps of Engineers (COE) Concrete Research Division (CRD) C662. If lithium nitrate admixture is used, it shall be nominal 30% ±0.5% weight lithium nitrate in water.

(3) If the expansion of the proposed combined materials test specimens, tested in accordance with ASTM C1567, modified for combined aggregates, or COE CRD C662, does not exceed 0.10% at 28 days, the proposed combined materials will be accepted. If the expansion of the proposed combined materials test specimens is greater than 0.10% at 28 days, the aggregates will not be accepted unless adjustments to the combined materials mixture can reduce the expansion to less than 0.10% at 28 days, or new aggregates shall be evaluated and tested.

b. Fine aggregate. Fine aggregate shall conform to the requirements of ASTM C33. Grading of the fine aggregate, as delivered to the mixer, shall conform to the requirements of ASTM C33 and shall have a fineness modulus of not less than 2.50 nor more than 3.40. The soundness loss shall not exceed 10% when sodium sulfate is used or 15% when magnesium sulfate is used, after five cycles, when tested per ASTM C88.

The amount of deleterious material in the fine aggregate shall not exceed the following limits:

Limits for Deleterious Substances in Fine Aggregate for Concrete

Deleterious material	ASTM	Percentage by Mass
Clay Lumps and friable particles	ASTM C142	1.0
Material finer than 0.075mm (No. 200 sieve)	ASTM C117	3.0
Lightweight particles	ASTM C123 using a medium with a density of Sp. Gr. of 2.0	0.5
Total of all deleterious Material		3.0

Aggregates with a higher percentage loss of soundness may be specified in lieu of those indicated, provided the supplier submits satisfactory test results to the Engineer for concrete subjected to freezing and thawing tests per ASTM C666.

c. Coarse aggregate. Gradation, within the separated size groups, shall meet the coarse aggregate grading requirements of ASTM C33 when tested in accordance with ASTM C136. When the nominal maximum size of the aggregate is greater than one inch (25 mm), the aggregates shall be furnished in two size groups.

Aggregates delivered to the mixer shall consist of crushed stone, crushed or uncrushed gravel, air-cooled iron blast furnace slag, crushed recycled concrete pavement, or a combination. The aggregates should be free of ferrous sulfides, such as pyrite, that would cause “rust” staining that can bleed through pavement markings. Steel blast furnace slag shall not be permitted. The aggregate shall be composed of clean, hard, uncoated particles. Dust and other coating shall be removed from the aggregates by washing.

Some aggregates may contain ferrous sulfides and iron oxides which can cause stains on exposed concrete surfaces. In areas where staining has been a problem or is suspected, the Engineer should verify that producers and aggregate suppliers have taken steps to prevent the inclusion of any ferrous sulfides or iron oxides in aggregate to be used in the project.

If there is a concern that these may exist, an indicator to identify staining particles is to immerse the aggregate in a lime slurry. If staining particles are present, a blue-green gelatinous precipitate will form within five (5) to 10 minutes, rapidly changing to a brown color on exposure to air and light. The reaction should be complete in 30 minutes. If no brown gelatinous precipitate forms, there is little chance of reaction in concrete. (Portland Concrete Association, Design and Control of Concrete Mixtures, 15th edition)

The percentage of wear shall be no more than [___] when tested in accordance with ASTM C131.

The Engineer shall specify the percentage of wear. It should not exceed 40%. In certain cases where aggregate of this quality cannot be obtained economically, aggregate with a higher percentage of wear may be used if a satisfactory service record of at least five (5) years' duration under similar conditions of service and exposure has been demonstrated.

The quantity of flat, elongated, and flat and elongated particles in any size group coarser than 3/8 sieve (9 mm) shall not exceed 8% by weight when tested in accordance with ASTM D4791. A flat particle is defined as one having a ratio of width to thickness greater than 5. An elongated particle is one having a ratio of length to width greater than 5.

The soundness loss shall not exceed 12% when sodium sulfate is used or 18% when magnesium sulfate is used, after five cycles, when tested per ASTM C88.

Aggregates with a higher percentage loss of soundness may be specified in lieu of those indicated, provided the supplier submits satisfactory test results to the Engineer for concrete subjected to freezing and thawing tests per ASTM C666.

In areas affected by Durability Cracking (D-cracking), the Engineer should add ASTM C 666, Standard Test Method for Resistance of Concrete to Rapid Freezing and Thawing, to the list of testing requirements.

The amount of deleterious material in the coarse aggregate shall not exceed the following limits:

Limits for Deleterious Substances in Coarse Aggregate for Concrete

Deleterious material	ASTM	Percentage by Mass
Clay Lumps and friable particles	ASTM C142	1.0
Material finer than No. 200 sieve (0.075mm)	ASTM C117	1.0
Lightweight particles	ASTM C123 using a medium with a density of Sp. Gr. of 2.0	0.5
Chert (less than 2.40 Sp Gr.)	ASTM C123 using a medium with a density of Sp. Gr. of 2.40)	1.0
Total of all deleterious Material		3.0

Table 1. Gradation For Coarse Aggregate (ASTM C33)

Sieve Designations (square openings)		Percentage by Weight Passing Sieves	
inch	mm		
2-1/2	60	*	*
2	50	*	*
1-1/2	38	*	*
1	25	*	*
3/4	19	*	*
1/2	13	*	*
3/8	9	*	*
No. 4	4.75	*	*
No. 8	2.36	*	*

The Engineer shall specify the aggregate to be furnished from the table shown in this note. The appropriate gradation shall be inserted into Table 1. Insert points are denoted by asterisks. Where locally available aggregates cannot be economically blended to meet the grading requirements, the gradations may be modified by the Engineer to fit the characteristics of such locally available aggregates.

Aggregate gradations that produce concrete mixtures with well-graded or optimized aggregate combinations may be substituted for the requirements of Table 1 with prior approval of the FAA. The Contractor shall submit complete mixture information necessary to calculate the volumetric components of the mixture.

Table 1. Gradations for Coarse Aggregate

Sieve Designations (square openings)		Percentage by Weight Passing Sieves		
		From 1-1/2 inch to No. 4 (38 mm - 4.75 mm)		From 1 inch to No. 4 (25.0 mm-4.75 mm)
		#4 1-1/2 inch - 3/4 inch	#67 3/4 inch - No. 4	#57 1 inch - No. 4
inch	mm			
2-1/2	60	---	---	---
2	50	100	---	---
1-1/2	38	90-100	---	100
1	25	20-55	100	95-100
3/4	19	0-15	90-100	---
1/2	13	---	---	25-60
3/8	9	0-5	20-55	---
No. 4	4.75	---	0-10	0-10
No. 8	2.36	---	0-5	0-5

(1) Aggregate susceptibility to durability (D) cracking. [Aggregates that have a history of D-cracking shall not be used.]

[Coarse aggregate may be accepted from sources that have a 20 year service history for the same gradation to be supplied with no durability issues. Aggregates that do not have a record of 20 years of service without major repairs (less than 5% of slabs replaced) in similar conditions without D-cracking shall not be used unless it meets the following:

(a) Material currently being produced shall have a durability factor ≥ 95 using ASTM C666 procedure B. Coarse aggregates that are crushed granite, calcite cemented sandstone, quartzite, basalt, diabase, rhyolite or trap rock are considered to meet the D-cracking test but must meet all other quality tests. Aggregates meeting State Highway Department material specifications may be acceptable.

(b) The Contractor shall submit a current certification that the aggregate does not have a history of D-cracking and that the aggregate meets the state specifications for use in PCC pavement for use on interstate highways. Certifications, tests and any history reports must be for the same gradation as being proposed for use on the project. Certifications which are not dated or which are over one (1) year old or which are for different gradations will not be accepted. Test results will only be accepted when tests were performed by a State Department of Transportation (DOT) materials laboratory or an accredited laboratory.]

(2) Combined aggregate gradation. If substituted for the grading requirements specified for coarse aggregate and for fine aggregate and when approved by the Engineer, the combined aggregate grading shall meet the following requirements:

(a) The materials selected and the proportions used shall be such that when the Coarseness Factor (CF) and the Workability Factor (WF) are plotted on a diagram as described in d. below, the point thus determined shall fall within the parallelogram described therein.

(b) The CF shall be determined from the following equation:

$$CF = (\text{cumulative percent retained on the } 3/8 \text{ in. sieve})(100) / (\text{cumulative percent retained on the No. 8 sieve})$$

(c) The Workability Factor WF is defined as the percent passing the No. 8 (2.36 mm) sieve based on the combined gradation. However, WF shall be adjusted, upwards only, by 2.5 percentage points for each 94 pounds (42 kg) of cementitious material per cubic meter yard greater than 564 pounds per cubic yard (335 kg per cubic meter).

(d) A diagram shall be plotted using a rectangular scale with WF on the Y-axis with units from 20 (bottom) to 45 (top), and with CF on the X-axis with units from 80 (left side) to 30 (right side). On this diagram a parallelogram shall be plotted with corners at the following coordinates (CF-75, WF-28), (CF-75, WF-40), (CF-45, WF-32.5), and (CF-45, WF-44.5). If the point determined by the intersection of the computed CF and WF does not fall within the above parallelogram, the grading of each size of aggregate used and the proportions selected shall be changed as necessary.

Reference United States Air Force Engineering Technical Letter (ETL) 97-5: Proportioning Concrete Mixtures with Graded Aggregates for Rigid Airfield Pavements. The ETL is available at the following website: http://www.wbdg.org/ccb/AF/AFETL/etl_97_5.pdf.

501-2.2 Cement. Cement shall conform to the requirements of ASTM [___] Type [___].

The Engineer shall specify one of the following:

ASTM C150 - Type I, II, or V.

ASTM C595 - Type IP, IS, IL.

ASTM C1157 – Types GU, HE, HS, MH, LH.

Other cements may be specified with concurrence of the FAA.

The chemical requirements for all cement types specified should meet suitable criteria for deleterious activity. Low alkali cements (less than 0.6% equivalent alkalis, the low reactivity option in ASTM C595, or Option R in ASTM C1157) shall be specified when no other mitigating measures are added.

Total Alkalies (Na₂O and K₂O) of the cement secured for the production of concrete shall be independently verified in accordance with ASTM C114.

If aggregates are deemed innocuous when tested in accordance with paragraph 501-2.1.a.1 and accepted in accordance with paragraph 501-2.1.a.2, higher equivalent alkali content in the cement may be allowed

if approved by the Engineer and FAA. If cement becomes partially set or contains lumps of caked cement, it shall be rejected. Cement salvaged from discarded or used bags shall not be used.

501-2.3 Cementitious materials.

a. Fly ash. Fly ash shall meet the requirements of ASTM C618, with the exception of loss of ignition, where the maximum shall be less than 6%. Fly ash for use in mitigating alkali-silica reactivity shall have a Calcium Oxide (CaO) content of less than 13% and a total available alkali content less than 3% per ASTM C311. Fly ash produced in furnace operations using liming materials or soda ash (sodium carbonate) as an additive shall not be acceptable. The Contractor shall furnish the previous three most recent, consecutive ASTM C618 reports for each source of fly ash proposed in the mix design, and shall furnish each additional report as they become available during the project. The reports can be used for acceptance or the material may be tested independently by the Engineer.

b. Slag cement (ground granulated blast furnace(GGBF)). Slag cement shall conform to ASTM C989, Grade 100 or Grade 120. Slag cement shall be used only at a rate between 25% and 55% of the total cementitious material by mass.

c. Raw or calcined natural pozzolan. Natural pozzolan shall be raw or calcined and conform to ASTM C618, Class N, including the optional requirements for uniformity and effectiveness in controlling Alkali-Silica reaction and shall have a loss on ignition not exceeding 6%. Class N pozzolan for use in mitigating Alkali-Silica Reactivity shall have a total available alkali content less than 3%.

[**d. Ultrafine fly ash and ultrafine pozzolan.** UltraFine Fly Ash (UFFA) and UltraFine Pozzolan (UFP) shall conform to ASTM C618, Class F or N, and the following additional requirements:

(1) The strength activity index at 28 days of age shall be at least 95% of the control specimens.

(2) The average particle size shall not exceed 6 microns.]

501-2.4 Joint seal. The joint seal for the joints in the concrete pavement shall meet the requirements of [Item P-604][Item P-605] and shall be of the type specified in the plans.

501-2.5 Isolation joint filler. Premolded joint filler for isolation joints shall conform to the requirements of [ASTM D1751][ASTM D1752, Type II or III] and shall be where shown on the plans. The filler for each joint shall be furnished in a single piece for the full depth and width required for the joint, unless otherwise specified by the Engineer. When the use of more than one piece is required for a joint, the abutting ends shall be fastened securely and held accurately to shape by stapling or other positive fastening means satisfactory to the Engineer.

The Engineer shall designate either ASTM D1751 or ASTM D1752. Joint filler must be compatible with joint sealants.

501-2.6 Steel reinforcement. Reinforcing shall consist of [___] conforming to the requirements of ASTM [___].

The Engineer shall designate one of the following:

ASTM A615 Standard Specification for Deformed and Plain Carbon-Steel Bars for Concrete Reinforcement

ASTM A706 Standard Specification for Low-Alloy Steel Deformed and Plain Bars for Concrete Reinforcement

ASTM A775 Standard Specification for Epoxy-Coated Steel Reinforcing Bars

ASTM A934 Standard Specification for Epoxy-Coated Prefabricated Steel Reinforcing Bars

ASTM A1064 Standard Specification for Carbon-Steel Wire and Welded Wire Reinforcement, Plain and Deformed, for Concrete

ASTM A184 or A704, Bar mats

Welded wire fabric shall be furnished in flat sheets only.

Delete this paragraph when not applicable to the project.

501-2.7 Dowel and tie bars. Dowel bars shall be plain steel bars conforming to ASTM A615 and shall be free from burring or other deformation restricting slippage in the concrete. Before delivery to the construction site each dowel bar shall be epoxy coated per ASTM A1078. The dowels shall be coated with a bond-breaker recommended by the manufacturer. Dowel sleeves or inserts are not permitted. Grout retention rings shall be fully circular metal or plastic devices capable of supporting the dowel until the grout hardens.

Tie bars shall be deformed steel bars and conform to the requirements of ASTM A615. Tie bars designated as Grade 60 in ASTM A615 or ASTM A706 shall be used for construction requiring bent bars.

High strength dowel bars shall conform to ASTM A714, Class 2, Type S, Grade I, II or III, Bare Finish.

Dowel assemblies, tie bars and other miscellaneous steel embedded in the concrete should be epoxy coated according to ASTM A1078 in environments where corrosion protection is a concern.

If pavement is designed for extended life of 40 years or greater, the Engineer should require dowel bars to be epoxy coated per ASTM A1078, Type II.

501-2.8 Water. Water used in mixing or curing shall be potable, clean, free of oil, salt, acid, alkali, sugar, vegetable, or other substances injurious to the finished product, except that non-potable water, or water from concrete production operations, may be used if it meets the requirements of ASTM C1602.

501-2.9 Material for curing concrete. Curing materials shall conform to one of the following specifications:

- a. Liquid membrane-forming compounds for curing concrete shall conform to the requirements of ASTM C309, Type 2, Class B, or Class A if wax base only.

b. White polyethylene film for curing concrete shall conform to the requirements of ASTM C171.

c. White burlap-polyethylene sheeting for curing concrete shall conform to the requirements of ASTM C171.

d. Waterproof paper for curing concrete shall conform to the requirements of ASTM C171.

501-2.10 Admixtures. The Contractor shall submit certificates indicating that the material to be furnished meets all of the requirements indicated below. In addition, the Engineer may require the Contractor to submit complete test data from an approved laboratory showing that the material to be furnished meets all of the requirements of the cited specifications. Subsequent tests may be made of samples taken by the Engineer from the supply of the material being furnished or proposed for use on the work to determine whether the admixture is uniform in quality with that approved.

a. Air-entraining admixtures. Air-entraining admixtures shall meet the requirements of ASTM C260 and shall consistently entrain the air content in the specified ranges under field conditions. The air-entrainment agent and any water reducer admixture shall be compatible.

b. Water-reducing admixtures. Water-reducing admixture shall meet the requirements of ASTM C494, Type A, B, or D. ASTM C494, Type F and G high range water reducing admixtures and ASTM C1017 flowable admixtures shall not be used.

c. Other admixtures. The use of set retarding, and set-accelerating admixtures shall be approved by the Engineer. Retarding shall meet the requirements of ASTM C494, Type A, B, or D and set-accelerating shall meet the requirements of ASTM C494, Type C. Calcium chloride and admixtures containing calcium chloride shall not be used.

d. Lithium Nitrate. The lithium admixture shall be a nominal 30% aqueous solution of Lithium Nitrate, with a density of 10 pounds/gallon (1.2 kg/L), and shall have the approximate chemical form as shown below:

<u>Constituent</u>	<u>Limit (Percent by Mass)</u>
LiNO ₃ (Lithium Nitrate)	30 ±0.5
SO ₄ (Sulfate Ion)	0.1 (max)
Cl (Chloride Ion)	0.2 (max)
Na (Sodium Ion)	0.1 (max)
K (Potassium Ion)	0.1 (max)

Provide a trained manufacturer's representative to supervise the lithium nitrate admixture dispensing and mixing operations.

501-2.11 Epoxy-resin. All epoxy-resin materials shall be two-component materials conforming to the requirements of ASTM C881, Class as appropriate for each application temperature to be encountered, except that in addition, the materials shall meet the following requirements:

a. Material for use for embedding dowels and anchor bolts shall be Type IV, Grade 3.

b. Material for use as patching materials for complete filling of spalls and other voids and for use in preparing epoxy resin mortar shall be Type III, Grade as approved.

c. Material for use for injecting cracks shall be Type IV, Grade 1.

d. Material for bonding freshly mixed Portland cement concrete or mortar or freshly mixed epoxy resin concrete or mortar to hardened concrete shall be Type V, Grade as approved.

501-2.12 Material acceptance. Prior to use of materials, the Contractor shall submit certified test reports to the Engineer for those materials proposed for use during construction. The certification shall show the

appropriate ASTM test for each material, the test results, and a statement that the material passed or failed.

The Engineer may request samples for testing, prior to and during production, to verify the quality of the materials and to ensure conformance with the applicable specifications.

MIX DESIGN

501-3.1. General. No concrete shall be placed until the mix design has been submitted to the Engineer for review and the Engineer has taken appropriate action. The Engineer's review shall not relieve the Contractor of the responsibility to select and proportion the materials to comply with this section.

501-3.2 Proportions. The laboratory preparing the mix design shall be accredited in accordance with ASTM C1077. The mix design for all Portland cement concrete placed under P-501 shall be stamped or sealed by the responsible professional Engineer of the laboratory. Concrete shall be proportioned to achieve a 28-day flexural strength that meets or exceeds the acceptance criteria contained in paragraph 501-5.2 for a flexural strength of [] psi per ASTM C78. The mix shall be developed using the procedures contained in the Portland Cement Association's (PCA) publication, "Design and Control of Concrete Mixtures".

The Engineer shall specify a minimum flexural strength for airport pavements between 600 psi and 700 psi (4136 kPa and 4826 kPa) per ASTM C78. However, if local materials utilized consistently produce above the lower design strength limit, the Engineer may allow a flexural design strength of greater than 700 psi (4826 kPa) with approval of the FAA. Refer to AC 150/5320-6.

The Engineer should recognize that due to variations in materials, operations, and testing, the average strength of concrete furnished by a supplier must be higher than the specified strength to ensure a good statistical chance of meeting the acceptance criteria throughout the duration of the job. The strength necessary to meet specification requirements depends on the producer's standard deviation of flexural test results and the accuracy that the value can be estimated from historic data for the same or similar materials.

For pavements designed to accommodate aircraft gross weights of 30,000 pounds (13500 kg) or less, this section may be modified to indicate that concrete shall be designed to achieve a 28-day compressive strength that meets or exceeds the acceptance criteria for a compressive strength of 4,400 psi (3700 kPa).

If the specified strength is required earlier than 28 days, the Engineer shall designate the time period and appropriate admixtures.

The use of state highway specifications for airfield pavement construction materials is permitted at non-primary airports with runways of 5,000 feet or shorter serving aircraft that do not exceed 60,000 pounds gross weight.

The use of State highway specifications requires a Modification of Standards. The project specification must include a copy of all referenced state specifications.

The minimum cementitious material shall be adequate to ensure a workable, durable mix. The minimum cementitious material (cement plus fly ash, or slag cement) shall be [] pounds per cubic yard ([] kg

per cubic meter). The ratio of water to cementitious material, including free surface moisture on the aggregates but not including moisture absorbed by the aggregates shall not be more than [] by weight.

A minimum cementitious material content of 470 pounds per cubic yard (280 kg per cubic meter) should be specified. A higher minimum may be necessary to meet the specified strength when other cementitious materials are substituted or to meet durability requirements for severe freeze/thaw, deicer, or sulfate exposure. The minimum cement requirement should not be less than 517 pounds per cubic yard (310 kg per cubic meter) where severe freeze-thaw, deicer, or sulfate exposure is expected. The Engineer shall specify a maximum water/cementitious ratio of 0.45 unless a lower water/cementitious ratio is necessary for severe freeze/thaw, deicer, sulfate exposure, or other local conditions. A water/cementitious ratio of less than 0.38 shall be subject to approval by the Engineer and the FAA.

Flexural strength test specimens shall be prepared in accordance with ASTM C192 and tested in accordance with ASTM C78. The mix determined shall be workable concrete having a maximum allowable slump between one and two inches (25mm and 50 mm) as determined by ASTM C143. For slip-form concrete, the slump shall be between 1/2 inch (12 mm) and 1-1/2 inch (38 mm). At the start of the project, the Contractor shall determine a maximum allowable slump for slip-form pavement which will produce in-place pavement to control the edge slump. The selected slump shall be applicable to both pilot and fill-in lanes.

When the design strength in paragraph 501-3.2 is based on compressive strength, substitute compressive strength for flexural strength. Test specimens shall be cylinders measuring 6 inches in diameter by 12 inches long tested in accordance with ASTM C39.

The Engineer may only consider the cylinder/beam procedure below when compressive strength is substituted for flexural strength.

Cylinders/Beams

- a. Fabricate all beams and cylinders for each mixture from the same batch or blend of batches. Fabricate and cure all beams and cylinders in accordance with ASTM C192, using 6 × 6 inch (150 × 150 mm) steel beam forms and 6 × 12 inch (150 × 300 mm) single-use cylinder forms.**
- b. Cure test beams from each mixture for 3, 7, 14, [28] and [90]-day flexural tests; six (6) beams to be tested per age.**
- c. Cure test cylinders from each mixture for 3, 7, 14, [28] and [90]-day compressive strength tests; six (6) cylinders to be tested per age.**
- d. Test beams in accordance with ASTM C78, cylinders in accordance with ASTM C39.**
- e. Using the average strength for each w/c at each age, plot all results from each of the three mixtures on separate graphs for w/c versus:**

3-day flexural strength

7-day flexural strength**14-day flexural strength**

[28-day flexural strength]

[90-day flexural strength]

3-day compressive strength**7-day compressive strength****14-day compressive strength**

[28-day compressive strength]

[90-day compressive strength]

f. From these graphs select a w/c that will produce a mixture giving a [28] [90]-day flexural strength equal to the required strength determined in accordance with the next paragraph.

g. Using the above selected w/c, select from the graphs the expected 3, 7, 14, [28] [90]-day flexural strengths and the expected 3, 7, 14, [28] [90]-day compressive strengths for the mixture.

h. From the above expected strengths for the selected mixture determine the following Correlation Ratios:

(1) Ratio of the 14-day compressive strength of the selected mixture to the [28] [90]-day flexural strength of the mixture (for acceptance).

(2) Ratio of the 7-day compressive strength of the selected mixture to the [28] [90]-day flexural strength of the mixture (for Contractor Quality Control control).

i. If there is a change in materials, additional mixture design studies shall be made using the new materials and new Correlation Ratios shall be determined.

j. No concrete pavement shall be placed until the Engineer has approved the Contractor's mixture proportions. The approved water-cementitious materials ratio shall not exceed the maximum value specified.

Before the start of paving operations and after approval of all material to be used in the concrete, the Contractor shall submit a mix design showing the proportions and flexural strength obtained from the concrete at seven (7) and 28 days. The mix design shall include copies of test reports, including test dates, and a complete list of materials including type, brand, source, and amount of cement, fly ash, ground slag, coarse aggregate, fine aggregate, water, and admixtures. The mix design shall be submitted to the Engineer at least 30 days prior to the start of operations. The submitted mix design shall not be more than 90 days old. Production shall not begin until the mix design is approved in writing by the Engineer.

If a change in sources is made, or admixtures added or deleted from the mix, a new mix design must be submitted to the Engineer for approval.

The results of the mix design shall include a statement giving the maximum nominal coarse aggregate size and the weights and volumes of each ingredient proportioned on a one cubic yard (meter) basis. Aggregate quantities shall be based on the mass in a saturated surface dry condition. The recommended

mixture proportions shall be accompanied by test results demonstrating that the proportions selected will produce concrete of the qualities indicated. Trial mixtures having proportions, slumps, and air content suitable for the work shall be based on methodology described in PCA's publication, Design and Control of Concrete Mixtures, modified as necessary to accommodate flexural strength.

The submitted mix design shall be stamped or sealed by the responsible professional Engineer of the laboratory and shall include the following items as a minimum:

- a. Coarse, fine, and combined aggregate gradations and plots including fineness modulus of the fine aggregate.
- b. Reactivity Test Results.
- c. Coarse aggregate quality test results, including deleterious materials.
- d. Fine aggregate quality test results, including deleterious materials.
- e. Mill certificates for cement and supplemental cementitious materials.
- f. Certified test results for all admixtures, including Lithium Nitrate if applicable.
- g. Specified flexural strength, slump, and air content.
- h. Recommended proportions/volumes for proposed mixture and trial water-cementitious materials ratio, including actual slump and air content.
- i. Flexural and compressive strength summaries and plots, including all individual beam and cylinder breaks.
- j. Correlation ratios for acceptance testing and Contractor Quality Control testing, when applicable.
- k. Historical record of test results documenting production standard deviation, when applicable.

501-3.3 Cementitious materials.

a. Fly ash. When fly ash is used as a partial replacement for cement, the replacement rate shall be determined from laboratory trial mixes, and shall be between 20 and 30% by weight of the total cementitious material. If fly ash is used in conjunction with slag cement the maximum replacement rate shall not exceed 10% by weight of total cementitious material.

b. Slag cement (ground granulated blast furnace (GGBF)). Slag cement may be used. The slag cement, or slag cement plus fly ash if both are used, may constitute between 25 to 55% of the total cementitious material by weight. If the concrete is to be used for slipforming operations and the air temperature is expected to be lower than 55°F (13°C) the percent slag cement shall not exceed 30% by weight.

c. Raw or calcined natural pozzolan. Natural pozzolan may be used in the mix design. When pozzolan is used as a partial replacement for cement, the replacement rate shall be determined from laboratory trial mixes, and shall be between 20 and 30% by weight of the total cementitious material. If pozzolan is used in conjunction with slag cement the maximum replacement rate shall not exceed 10% by weight of total cementitious material.

[**d. Ultrafine fly ash (UFFA) and ultrafine pozzolan (UFP).** UFFA and UFP may be used in the mix design with the Engineer's approval. When UFFA and UFP is used as a partial replacement for cement, the replacement rate shall be determined from laboratory trial mixes, and shall be between seven (7) and 16% by weight of the total cementitious material.]

Concrete containing fly ash typically develops a flexural strength greater than concrete without fly ash. However, the rate of development and the ultimate strength of the concrete depend on the characteristics of the fly ash, the cement used, the proportions of fly ash and cement, and the curing environment.

Environmental Protection Agency (EPA) guidelines published in 40 CFR Part 249, which implement provisions of the Resource Conservation and Recovery Act of 1976, require that contract specifications allow for the use of fly ash, unless its use can be determined to be inappropriate for technical reasons documented by the Owner or the design Engineer.

501-3.4 Admixtures.

a. Air-entraining admixtures. Air-entraining admixture are to be added in such a manner that will ensure uniform distribution of the agent throughout the batch. The air content of freshly mixed air-entrained concrete shall be based upon trial mixes with the materials to be used in the work adjusted to produce concrete of the required plasticity and workability. The percentage of air in the mix shall be [___]. Air content shall be determined by testing in accordance with ASTM C231 for gravel and stone coarse aggregate and ASTM C173 for slag and other highly porous coarse aggregate.

The Engineer shall specify the appropriate air content as determined from the table in this note. For warm climate areas where freezing and thawing are not a factor, non-air-entrained concrete may be used.

Recommended Air Content (Percent)

Exposure Level	Maximum Size Aggregate inch (mm)				
	2 inch (50 mm)	1-1/2 inch (38 mm)	1 inch (25 mm)	3/4 inch (19 mm)	1/2 inch (12 mm)
Mild	2.0%	2.5%	3.0%	3.5%	4.0%
Moderate	4.0%	4.5%	4.5%	5.0%	5.5%
Severe	5.0%	5.5%	6.0%	6.0%	7.0%

Mild exposure - When desired for other than durability, such as to improve workability. Used where pavement will not be exposed to freezing or to deicing agents.

Moderate exposure - Service in a climate where freezing is expected but where the concrete will not be continually exposed to moisture or free water for long periods prior to freezing and will not be exposed to deicing agents or other aggressive chemicals.

Severe exposure - Concrete which is exposed to deicing chemicals or other aggressive agents or where the concrete may become highly saturated by continual contact with moisture or free water prior to freezing.

b. Water-reducing admixtures. Water-reducing admixtures shall be added to the mix in the manner recommended by the manufacturer and in the amount necessary to comply with the specification requirements. Tests shall be conducted on trial mixes, with the materials to be used in the work, in accordance with ASTM C494.

c. Other admixtures. Set controlling, and other approved admixtures shall be added to the mix in the manner recommended by the manufacturer and in the amount necessary to comply with the specification requirements. Tests shall be conducted on trial mixes, with the materials to be used in the work, in accordance with ASTM C 494.

d. Lithium nitrate. Lithium nitrate shall be added to the mix in the manner recommended by the manufacturer and in the amount necessary to comply with the specification requirements in accordance with paragraph 501-2.10d.

501-3.5 Concrete mix design laboratory. The Contractor's laboratory used to develop the concrete mix design shall be accredited in accordance with ASTM C1077. The laboratory accreditation must be current and listed on the accrediting authority's website. All test methods required for developing the concrete mix design must be listed on the lab accreditation. A copy of the laboratory's current accreditation and accredited test methods shall be submitted to the Engineer prior to start of construction

CONSTRUCTION METHODS

501-4.1 Equipment. Equipment necessary for handling materials and performing all parts of the work shall be approved by the Engineer, but does not relieve the Contractor of the responsibility for the proper operation of equipment and maintaining the equipment in good working condition. The equipment shall be at the jobsite sufficiently ahead of the start of paving operations to be examined thoroughly and approved.

a. Batch plant and equipment. The batch plant and equipment shall conform to the requirements of ASTM C94.

b. Mixers and transportation equipment.

(1) **General.** Concrete may be mixed at a central plant, or wholly or in part in truck mixers. Each mixer shall have attached in a prominent place a manufacturer's nameplate showing the capacity of the drum in terms of volume of mixed concrete and the speed of rotation of the mixing drum or blades.

(2) **Central plant mixer.** Central plant mixers shall conform to the requirements of ASTM C94. The mixer shall be examined daily for changes in condition due to accumulation of hard concrete or mortar or wear of blades. The pickup and throwover blades shall be replaced when they have worn down 3/4 inch (19 mm) or more. The Contractor shall have a copy of the manufacturer's design on hand showing dimensions and arrangement of blades in reference to original height and depth.

(3) **Truck mixers and truck agitators.** Truck mixers used for mixing and hauling concrete and truck agitators used for hauling central-mixed concrete shall conform to the requirements of ASTM C94.

(4) **Nonagitator trucks.** Nonagitator hauling equipment shall conform to the requirements of ASTM C94.

(5) **Transfer and spreading equipment.** Equipment for transferring concrete from the transporting equipment to the paving lane in front of the paver shall be specially manufactured, self-propelled transfer equipment which will accept the concrete outside the paving lane and will transfer and spread it evenly across the paving lane in front of the paver and strike off the surface evenly to a depth which permits the paver to operate efficiently.

c. Finishing equipment. The standard method of constructing concrete pavements shall be with an approved slip-form paving equipment designed and operated to spread, consolidate, screed, and float-

finish the freshly placed concrete in one complete pass of the machine so that the end result is a dense and homogeneous pavement which is achieved with a minimum of hand finishing. The paver-finisher shall be a heavy duty, self-propelled machine designed specifically for paving and finishing high quality concrete pavements. It shall weigh at least 2,200 lbs per foot (3274 kg/m) of paving lane width and powered by an engine having at least 6.0 horsepower per foot of lane width.

On projects requiring less than 500 square yard (418 sq m) of cement concrete pavement or requiring individual placement areas of less than 500 square yard (418 sq m), or irregular areas at locations inaccessible to slip-form paving equipment, concrete pavement may be placed with approved placement and finishing equipment using stationary side forms. Hand screeding and float finishing may only be used on small irregular areas as allowed by the Engineer.

d. Vibrators. Vibrator shall be the internal type. Operating frequency for internal vibrators shall be between 8,000 and 12,000 vibrations per minute. Average amplitude for internal vibrators shall be 0.025-0.05 inch (0.06 - 0.13 cm).

The number, spacing, and frequency shall be as necessary to provide a dense and homogeneous pavement and meet the recommendations of American Concrete Institute (ACI) 309, Guide for Consolidation of Concrete. Adequate power to operate all vibrators shall be available on the paver. The vibrators shall be automatically controlled so that they shall be stopped as forward motion ceases. The Contractor shall provide an electronic or mechanical means to monitor vibrator status. The checks on vibrator status shall occur a minimum of two times per day or when requested by the Engineer.

Hand held vibrators may be used in irregular areas only, but shall meet the recommendations of ACI 309R, Guide for Consolidation of Concrete.

e. Concrete saws. The Contractor shall provide sawing equipment adequate in number of units and power to complete the sawing to the required dimensions. The Contractor shall provide at least one standby saw in good working order and a supply of saw blades at the site of the work at all times during sawing operations. Early-entry saws may be used, subject to demonstration and approval of the Engineer.

f. Side forms. Straight side forms shall be made of steel and shall be furnished in sections not less than 10 feet (3 m) in length. Forms shall have a depth equal to the pavement thickness at the edge, and a base width equal to or greater than the depth. Flexible or curved forms of proper radius shall be used for curves of 100-foot (31 m) radius or less. Forms shall be provided with adequate devices for secure settings so that when in place they will withstand, without visible spring or settlement, the impact and vibration of the consolidating and finishing equipment. Forms with battered top surfaces and bent, twisted or broken forms shall not be used. Built-up forms shall not be used, except as approved by the Engineer. The top face of the form shall not vary from a true plane more than 1/8 inch (3 mm) in 10 feet (3 m), and the upstanding leg shall not vary more than 1/4 inch (6 mm). The forms shall contain provisions for locking the ends of abutting sections together tightly for secure setting. Wood forms may be used under special conditions, when approved by the Engineer.

g. Pavers. The paver shall be fully energized, self-propelled, and designed for the specific purpose of placing, consolidating, and finishing the concrete pavement, true to grade, tolerances, and cross-section. It shall be of sufficient weight and power to construct the maximum specified concrete paving lane width as shown in the plans, at adequate forward speed, without transverse, longitudinal or vertical instability or without displacement. The paver shall be equipped with electronic or hydraulic horizontal and vertical control devices.

501-4.2 Form setting. Forms shall be set sufficiently in advance of the concrete placement to ensure continuous paving operation. After the forms have been set to correct grade, the underlying surface shall be thoroughly tamped, either mechanically or by hand, at both the inside and outside edges of the base of the forms. Forms shall be staked into place sufficiently to maintain the form in position for the method of placement.

Form sections shall be tightly locked and shall be free from play or movement in any direction. The forms shall not deviate from true line by more than 1/8 inch (3 mm) at any joint. Forms shall be so set that they will withstand, without visible spring or settlement, the impact and vibration of the consolidating and finishing equipment. Forms shall be cleaned and oiled prior to the placing of concrete.

The alignment and grade elevations of the forms shall be checked and corrections made by the Contractor immediately before placing the concrete.

501-4.3 Conditioning of underlying surface. The compacted underlying surface on which the pavement will be placed shall be widened approximately 3 feet (1 m) to extend beyond the paving machine track to support the paver without any noticeable displacement. After the underlying surface has been placed and compacted to the required density, the areas that will support the paving machine and the area to be paved shall be trimmed or graded to the plan grade elevation and profile by means of a properly designed machine. The grade of the underlying surface shall be controlled by a positive grade control system using lasers, stringlines, or guide wires. If the density of the underlying surface is disturbed by the trimming operations, it shall be corrected by additional compaction and retested at the option of the Engineer before the concrete is placed except when stabilized subbases are being constructed. If damage occurs on a stabilized subbase, it shall be corrected full depth by the Contractor. If traffic is allowed to use the prepared grade, the grade shall be checked and corrected immediately before the placement of concrete. The prepared grade shall be moistened with water, without saturating, immediately ahead of concrete placement to prevent rapid loss of moisture from concrete. The underlying surface shall be protected so that it will be entirely free of frost when concrete is placed.

Stabilized subbase is required to accommodate aircraft with gross weights in excess of 100,000 pounds (45300 kg) per AC 150/5320-6.

501-4.4 Conditioning of underlying surface, side-form and fill-in lane construction. The prepared underlying surface shall be moistened with water, without saturating, immediately ahead of concrete placement to prevent rapid loss of moisture from the concrete. Damage caused by hauling or usage of other equipment shall be corrected and retested at the option of the Engineers. If damage occurs to a stabilized subbase, it shall be corrected full depth by the Contractor. A template shall be provided and operated on the forms immediately in advance of the placing of all concrete. The template shall be propelled only by hand and not attached to a tractor or other power unit. Templates shall be adjustable so that they may be set and maintained at the correct contour of the underlying surface. The adjustment and operation of the templates shall be such as will provide an accurate retest of the grade before placing the concrete thereon. All excess material shall be removed and wasted. Low areas shall be filled and compacted to a condition similar to that of the surrounding grade. The underlying surface shall be protected so that it will be entirely free from frost when the concrete is placed. The use of chemicals to eliminate frost in the underlying surface shall not be permitted.

The template shall be maintained in accurate adjustment, at all times by the Contractor, and shall be checked daily.

501-4.5 Handling, measuring, and batching material. The batch plant site, layout, equipment, and provisions for transporting material shall assure a continuous supply of material to the work. Stockpiles shall be constructed in such a manner that prevents segregation and intermixing of deleterious materials. Aggregates from different sources shall be stockpiled, weighed and batched separately at the concrete batch plant.

Aggregates that have become segregated or mixed with earth or foreign material shall not be used. All aggregates produced or handled by hydraulic methods, and washed aggregates, shall be stockpiled or binned for draining at least 12 hours before being batched. Rail shipments requiring more than 12 hours will be accepted as adequate binning only if the car bodies permit free drainage.

Batching plants shall be equipped to proportion aggregates and bulk cement, by weight, automatically using interlocked proportioning devices of an approved type. When bulk cement is used, the Contractor shall use a suitable method of handling the cement from weighing hopper to transporting container or into the batch itself for transportation to the mixer, such as a chute, boot, or other approved device, to prevent loss of cement. The device shall be arranged to provide positive assurance that the cement content specified is present in each batch.

501-4.6 Mixing concrete. The concrete may be mixed at the work site, in a central mix plant or in truck mixers. The mixer shall be of an approved type and capacity. Mixing time shall be measured from the time all materials, except water, are emptied into the drum. All concrete shall be mixed and delivered to the site in accordance with the requirements of ASTM C94.

Mixed concrete from the central mixing plant shall be transported in truck mixers, truck agitators, or non-agitating trucks. The elapsed time from the addition of cementitious material to the mix until the concrete is deposited in place at the work site shall not exceed 30 minutes when the concrete is hauled in non-agitating trucks, nor 90 minutes when the concrete is hauled in truck mixers or truck agitators. Retempering concrete by adding water or by other means will not be permitted. With transit mixers additional water may be added to the batch materials and additional mixing performed to increase the slump to meet the specified requirements provided the addition of water is performed within 45 minutes after the initial mixing operations and provided the water/cementitious ratio specified in the approved mix design is not exceeded, and approved by the Engineer.

501-4.7 Limitations on mixing and placing. No concrete shall be mixed, placed, or finished when the natural light is insufficient, unless an adequate and approved artificial lighting system is operated.

a. Cold weather. Unless authorized in writing by the Engineer, mixing and concreting operations shall be discontinued when a descending air temperature in the shade and away from artificial heat reaches 40°F (4°C) and shall not be resumed until an ascending air temperature in the shade and away from artificial heat reaches 35°F (2°C).

The aggregate shall be free of ice, snow, and frozen lumps before entering the mixer. The temperature of the mixed concrete shall not be less than 50°F (10°C) at the time of placement. Concrete shall not be placed on frozen material nor shall frozen aggregates be used in the concrete.

When concreting is authorized during cold weather, water and/or the aggregates may be heated to not more than 150°F (66°C). The apparatus used shall heat the mass uniformly and shall be arranged to preclude the possible occurrence of overheated areas which might be detrimental to the materials.

**Information regarding cold weather concreting practices may be found in ACI
306R, Cold Weather Concreting.**

b. Hot weather. During periods of hot weather when the maximum daily air temperature exceeds 85°F (30°C), the following precautions shall be taken.

The forms and/or the underlying surface shall be sprinkled with water immediately before placing the concrete. The concrete shall be placed at the coolest temperature practicable, and in no case shall the

temperature of the concrete when placed exceed 90°F (32°C). The aggregates and/or mixing water shall be cooled as necessary to maintain the concrete temperature at or not more than the specified maximum.

The finished surfaces of the newly laid pavement shall be kept damp by applying a water-fog or mist with approved spraying equipment until the pavement is covered by the curing medium. When necessary, wind screens shall be provided to protect the concrete from an evaporation rate in excess of 0.2 psf (0.98 kg/m² per hour) per hour. When conditions are such that problems with plastic cracking can be expected, and particularly if any plastic cracking begins to occur, the Contractor shall immediately take such additional measures as necessary to protect the concrete surface. Such measures shall consist of wind screens, more effective fog sprays, and similar measures commencing immediately behind the paver. If these measures are not effective in preventing plastic cracking, paving operations shall be immediately stopped.

**Information regarding hot weather concreting practices may be found in ACI 305R,
Hot Weather Concreting.**

c. Temperature management program. Prior to the start of paving operation for each day of paving, the Contractor shall provide the Engineer with a Temperature Management Program for the concrete to be placed to assure that uncontrolled cracking is avoided. As a minimum the program shall address the following items:

- (1) Anticipated tensile strains in the fresh concrete as related to heating and cooling of the concrete material.
- (2) Anticipated weather conditions such as ambient temperatures, wind velocity, and relative humidity; and anticipated evaporation rate using Figure 11-8, PCA, Design and Control of Concrete Mixtures.
- (3) Anticipated timing of initial sawing of joint.
- (4) Anticipated number and type of saws to be used.

501-4.8 Placing concrete. At any point in concrete conveyance, the free vertical drop of the concrete from one point to another or to the underlying surface shall not exceed 3 feet (1 m). The finished concrete product must be dense and homogeneous, without segregation and conforming to the standards in this specification. Backhoes and grading equipment shall not be used to distribute the concrete in front of the paver. Front end loaders will not be used. All concrete shall be consolidated without voids or segregation, including under and around all load-transfer devices, joint assembly units, and other features embedded in the pavement. Hauling equipment or other mechanical equipment can be permitted on adjoining previously constructed pavement when the concrete strength reaches [a flexural strength of 550 psi (3792 kPa)][a compressive strength of 3,500 psi (24130 kPa)], based on the average of four field cured specimens per 2,000 cubic yards (1,530 cubic meters) of concrete placed. Also, subgrade and subbase planers, concrete pavers, and concrete finishing equipment may be permitted to ride upon the edges of previously constructed pavement when the concrete has attained a minimum flexural strength of 400 psi (2757 kPa).

The Contractor shall have available materials for the protection of the concrete during inclement weather. Such protective materials shall consist of rolled polyethylene sheeting at least 4 mils (0.1 mm) thick of sufficient length and width to cover the plastic concrete slab and any edges. The sheeting may be mounted on either the paver or a separate movable bridge from which it can be unrolled without dragging over the plastic concrete surface. When rain appears imminent, all paving operations shall stop and all available personnel shall begin covering the surface of the unhardened concrete with the protective covering.

The Engineer shall choose flexural or compressive strength based on mix design requirement.

a. Slip-form construction. The concrete shall be distributed uniformly into final position by a self-propelled slip-form paver without delay. The alignment and elevation of the paver shall be regulated from outside reference lines established for this purpose. The paver shall vibrate the concrete for the full width and depth of the strip of pavement being placed and the vibration shall be adequate to provide a consistency of concrete that will stand normal to the surface with sharp well defined edges. The sliding forms shall be rigidly held together laterally to prevent spreading of the forms. The plastic concrete shall be effectively consolidated by internal vibration with transverse vibrating units for the full width of the pavement and/or a series of equally placed longitudinal vibrating units. The space from the outer edge of the pavement to longitudinal unit shall not exceed 9 inches (23 cm) for slipform and at the end of the dowels for the fill-in lanes. The spacing of internal units shall be uniform and shall not exceed 18 inches (0.5 m).

The term internal vibration means vibrating units located within the specified thickness of pavement section.

The rate of vibration of each vibrating unit shall be within 8000 to 12000 cycles per minute and the amplitude of vibration shall be sufficient to be perceptible on the surface of the concrete along the entire length of the vibrating unit and for a distance of at least one foot (30 cm). The frequency of vibration or amplitude shall vary proportionately with the rate of travel to result in a uniform density and air content. The paving machine shall be equipped with a tachometer or other suitable device for measuring and indicating the actual frequency of vibrations.

The concrete shall be held at a uniform consistency. The slip-form paver shall be operated with as nearly a continuous forward movement as possible and all operations of mixing, delivering, and spreading concrete shall be coordinated to provide uniform progress with stopping and starting of the paver held to a minimum. If for any reason, it is necessary to stop the forward movement of the paver, the vibratory and tamping elements shall also be stopped immediately. No tractive force shall be applied to the machine, except that which is controlled from the machine.

When concrete is being placed adjacent to an existing pavement, that part of the equipment which is supported on the existing pavement shall be equipped with protective pads on crawler tracks or rubber-tired wheels on which the bearing surface is offset to run a sufficient distance from the edge of the pavement to avoid breaking the pavement edge.

Not more than 15% of the total free edge of each 500 foot (150 m) segment of pavement, or fraction thereof, shall have an edge slump exceeding 1/4 inch (6 mm), and none of the free edge of the pavement shall have an edge slump exceeding 3/8 inch (9 mm). (The total free edge of 500 feet (150 m) of pavement will be considered the cumulative total linear measurement of pavement edge originally constructed as nonadjacent to any existing pavement; that is, 500 feet (150 m) of paving lane originally constructed as a separate lane will have 1,000 feet (300 m) of free edge, 500 feet (150 m) of fill-in lane will have no free edge, etc.). The area affected by the downward movement of the concrete along the pavement edge shall be limited to not more than 18 inches (0.5 m) from the edge. When excessive edge slump cannot be corrected before the concrete has hardened, the area with excessive edge slump shall be removed and replaced at the expense of the Contractor as directed by the Engineer.

b. Side-form construction. Side form sections shall be straight, free from warps, bends, indentations, or other defects. Defective forms shall be removed from the work. Metal side forms shall be used except

at end closures and transverse construction joints where straight forms of other suitable material may be used.

Side forms may be built up by rigidly attaching a section to either top or bottom of forms. If such build-up is attached to the top of metal forms, the build-up shall also be metal.

Width of the base of all forms shall be equal to or greater than the specified pavement thickness.

Side forms shall be of sufficient rigidity, both in the form and in the interlocking connection with adjoining forms, that springing will not occur under the weight of subgrading and paving equipment or from the pressure of the concrete. The Contractor shall provide sufficient forms so that there will be no delay in placing concrete due to lack of forms.

Before placing side forms, the underlying material shall be at the proper grade. Side forms shall have full bearing upon the foundation throughout their length and width of base and shall be placed to the required grade and alignment of the finished pavement. They shall be firmly supported during the entire operation of placing, compacting, and finishing the pavement.

Forms shall be drilled in advance of being placed to line and grade to accommodate tie bars where these are specified.

Immediately in advance of placing concrete and after all subbase operations are completed, side forms shall be trued and maintained to the required line and grade for a distance sufficient to prevent delay in placing.

Side forms shall remain in place at least 12 hours after the concrete has been placed, and in all cases until the edge of the pavement no longer requires the protection of the forms. Curing compound shall be applied to the concrete immediately after the forms have been removed.

Side forms shall be thoroughly cleaned and oiled each time they are used and before concrete is placed against them.

Concrete shall be spread, screeded, shaped and consolidated by one or more self-propelled machines. These machines shall uniformly distribute and consolidate concrete without segregation so that the completed pavement will conform to the required cross-section with a minimum of handwork.

The number and capacity of machines furnished shall be adequate to perform the work required at a rate equal to that of concrete delivery.

Concrete for the full paving width shall be effectively consolidated by internal vibrators without causing segregation. Internal type vibrators' rate of vibration shall be not less than 7,000 cycles per minute. Amplitude of vibration shall be sufficient to be perceptible on the surface of the concrete more than one foot (30 cm) from the vibrating element. The Contractor shall furnish a tachometer or other suitable device for measuring and indicating frequency of vibration.

Power to vibrators shall be connected so that vibration ceases when forward or backward motion of the machine is stopped.

The provisions relating to the frequency and amplitude of internal vibration shall be considered the minimum requirements and are intended to ensure adequate density in the hardened concrete.

c. Consolidation. Concrete shall be consolidated with the specified type of lane-spanning, gang-mounted, mechanical, immersion type vibrating equipment mounted in front of the paver, supplemented, in rare instances as specified, by hand-operated vibrators. The vibrators shall be inserted into the concrete to a depth that will provide the best full-depth consolidation but not closer to the underlying material than inches (50 mm). Excessive vibration shall not be permitted. If the vibrators cause visible tracking in the paving lane, the paving operation shall be stopped and equipment and operations modified to prevent it. Concrete in small, odd-shaped slabs or in isolated locations inaccessible to the gang-mounted vibration

equipment shall be vibrated with an approved hand-operated immersion vibrator operated from a bridge spanning the area. Vibrators shall not be used to transport or spread the concrete. Hand-operated vibrators shall not be operated in the concrete at one location for more than 20 seconds. Insertion locations for hand-operated vibrators shall be between 6 to 15 inches (150 to 400 mm) on centers. For each paving train, at least one additional vibrator spud, or sufficient parts for rapid replacement and repair of vibrators shall be maintained at the paving site at all times. Any evidence of inadequate consolidation (honeycomb along the edges, large air pockets, or any other evidence) shall require the immediate stopping of the paving operation and adjustment of the equipment or procedures as approved by the Engineer.

If a lack of consolidation of the concrete is suspected by the Engineer, referee testing may be required. Referee testing of hardened concrete will be performed by the Engineer by cutting cores from the finished pavement after a minimum of 24 hours curing. Density determinations will be made by the Engineer based on the water content of the core as taken. ASTM C642 shall be used for the determination of core density in the saturated-surface dry condition. When required, referee cores will be taken at the minimum rate of one for each 500 cubic yards (382 m³) of pavement, or fraction. The Contractor shall be responsible for all referee testing cost if they fail to meet the required density.

The average density of the cores shall be at least 97% of the original mix design density, with no cores having a density of less than 96% of the original mix design density. Failure to meet the referee tests will be considered evidence that the minimum requirements for vibration are inadequate for the job conditions. Additional vibrating units or other means of increasing the effect of vibration shall be employed so that the density of the hardened concrete conforms to the above requirements.

501-4.9 Strike-off of concrete and placement of reinforcement. Following the placing of the concrete, it shall be struck off to conform to the cross-section shown on the plans and to an elevation that when the concrete is properly consolidated and finished, the surface of the pavement shall be at the elevation shown on the plans. When reinforced concrete pavement is placed in two layers, the bottom layer shall be struck off to such length and depth that the sheet of reinforcing steel fabric or bar mat may be laid full length on the concrete in its final position without further manipulation. The reinforcement shall then be placed directly upon the concrete, after which the top layer of the concrete shall be placed, struck off, and screeded. If any portion of the bottom layer of concrete has been placed more than 30 minutes without being covered with the top layer or if initial set has taken place, it shall be removed and replaced with freshly mixed concrete at the Contractor's expense. When reinforced concrete is placed in one layer, the reinforcement may be positioned in advance of concrete placement or it may be placed in plastic concrete by mechanical or vibratory means after spreading.

Reinforcing steel, at the time concrete is placed, shall be free of mud, oil, or other organic matter that may adversely affect or reduce bond. Reinforcing steel with rust, mill scale or a combination of both will be considered satisfactory, provided the minimum dimensions, weight, and tensile properties of a hand wire-brushed test specimen are not less than the applicable ASTM specification requirements.

501-4.10 Joints. Joints shall be constructed as shown on the plans and in accordance with these requirements. All joints shall be constructed with their faces perpendicular to the surface of the pavement and finished or edged as shown on the plans. Joints shall not vary more than 1/2 inch (12 mm) from their designated position and shall be true to line with not more than 1/4 inch (6 mm) variation in 10 feet (3 m). The surface across the joints shall be tested with a 12 feet (3 m) straightedge as the joints are finished and any irregularities in excess of 1/4 inch (6 mm) shall be corrected before the concrete has hardened. All joints shall be so prepared, finished, or cut to provide a groove of uniform width and depth as shown on the plans.

a. Construction. Longitudinal construction joints shall be slip-formed or formed against side forms as shown in the plans.

Transverse construction joints shall be installed at the end of each day's placing operations and at any other points within a paving lane when concrete placement is interrupted for more than 30 minutes or it appears that the concrete will obtain its initial set before fresh concrete arrives. The installation of the joint shall be located at a planned contraction or expansion joint. If placing of the concrete is stopped, the Contractor shall remove the excess concrete back to the previous planned joint.

b. Contraction. Contraction joints shall be installed at the locations and spacing as shown on the plans. Contraction joints shall be installed to the dimensions required by forming a groove or cleft in the top of the slab while the concrete is still plastic or by sawing a groove into the concrete surface after the concrete has hardened. When the groove is formed in plastic concrete the sides of the grooves shall be finished even and smooth with an edging tool. If an insert material is used, the installation and edge finish shall be according to the manufacturer's instructions. The groove shall be finished or cut clean so that spalling will be avoided at intersections with other joints. Grooving or sawing shall produce a slot at least 1/8 inch (3 mm) wide and to the depth shown on the plans.

c. Isolation (expansion). Isolation joints shall be installed as shown on the plans. The premolded filler of the thickness as shown on the plans, shall extend for the full depth and width of the slab at the joint, except for space for sealant at the top of the slab. The filler shall be securely staked or fastened into position perpendicular to the proposed finished surface. A cap shall be provided to protect the top edge of the filler and to permit the concrete to be placed and finished. After the concrete has been placed and struck off, the cap shall be carefully withdrawn leaving the space over the premolded filler. The edges of the joint shall be finished and tooled while the concrete is still plastic. Any concrete bridging the joint space shall be removed for the full width and depth of the joint.

An isolation joint is primarily used to separate structures with different foundations and pavements with different joint patterns. It does not provide for expansion by the material compressing, but rather allowing the joint to slip. There should rarely be an occasion to dowel an isolation joint since it defeats the purpose of the joint and does not permit isolation and slippage. A thickened-edge is the preferred load transfer method for isolation joints.

d. Tie bars. Tie bars shall consist of deformed bars installed in joints as shown on the plans. Tie bars shall be placed at right angles to the centerline of the concrete slab and shall be spaced at intervals shown on the plans. They shall be held in position parallel to the pavement surface and in the middle of the slab depth. When tie bars extend into an unpaved lane, they may be bent against the form at longitudinal construction joints, unless threaded bolt or other assembled tie bars are specified. Tie bars shall not be painted, greased, or enclosed in sleeves. When slip-form operations call for tie bars, two-piece hook bolts can be installed.

e. Dowel bars. Dowel bars or other load-transfer units of an approved type shall be placed across joints as shown on the plans. They shall be of the dimensions and spacings as shown and held rigidly in the middle of the slab depth in the proper horizontal and vertical alignment by an approved assembly device to be left permanently in place. The dowel or load-transfer and joint devices shall be rigid enough to permit complete assembly as a unit ready to be lifted and placed into position. The dowels shall be coated with a bond-breaker or other lubricant recommended by the manufacturer and approved by the Engineer.

f. Dowels bars at longitudinal construction joints shall be bonded in drilled holes.

g. Placing dowels and tie bars. The method used in installing and holding dowels in position shall ensure that the error in alignment of any dowel from its required horizontal and vertical alignment after the pavement has been completed will not be greater than 1/8 inch per foot (3 mm per 0.3 m). Except as otherwise specified below, horizontal spacing of dowels shall be within a tolerance of $\pm 5/8$ inch (16 mm). The vertical location on the face of the slab shall be within a tolerance of $\pm 1/2$ inch (12 mm). The vertical alignment of the dowels shall be measured parallel to the designated top surface of the pavement, except for those across the crown or other grade change joints. Dowels across crowns and other joints at grade changes shall be measured to a level surface. Horizontal alignment shall be checked perpendicular to the joint edge. The horizontal alignment shall be checked with a framing square. Dowels [and tie bars] shall not be placed closer than 0.6 times the dowel bar [tie bar] length to the planned joint line. If the last regularly spaced longitudinal dowel [tie bar] is closer than that dimension, it shall be moved away from the joint to a location 0.6 times the dowel bar [tie bar] length, but not closer than 6 inches (150 mm) to its nearest neighbor. The portion of each dowel intended to move within the concrete or expansion cap shall be wiped clean and coated with a thin, even film of lubricating oil or light grease before the concrete is placed. Dowels shall be installed as specified in the following subparagraphs.

(1) Contraction joints. Dowels and tie bars in longitudinal and transverse contraction joints within the paving lane shall be held securely in place, as indicated, by means of rigid metal frames or basket assemblies of an approved type. The basket assemblies shall be held securely in the proper location by means of suitable pins or anchors. Do not cut or crimp the dowel basket tie wires. At the Contractor's option, in lieu of the above, dowels and tie bars in contraction joints shall be installed near the front of the paver by insertion into the plastic concrete using approved equipment and procedures. Approval will be based on the results of a preconstruction demonstration, showing that the dowels and tie bars are installed within specified tolerances.

(2) Construction joints. Install dowels and tie bars by the cast-in-place or the drill-and-dowel method. Installation by removing and replacing in preformed holes will not be permitted. Dowels and tie bars shall be prepared and placed across joints where indicated, correctly aligned, and securely held in the proper horizontal and vertical position during placing and finishing operations, by means of devices fastened to the forms. The spacing of dowels and tie bars in construction joints shall be as indicated.

(3) Dowels installed in isolation joints and other hardened concrete. Install dowels for isolation joints and in other hardened concrete by bonding the dowels into holes drilled into the hardened concrete. The concrete shall have cured for seven (7) days or reached a minimum [compressive strength of 2500 psi (17 MPa)][flexural strength of 450 psi (3.1 MPa)] before drilling commences. Holes 1/8 inch (3 mm) greater in diameter than the dowels shall be drilled into the hardened concrete using rotary-core drills. Rotary-percussion drills may be used, provided that excessive spalling does not occur to the concrete joint face. Modification of the equipment and operation shall be required if, in the Engineer's opinion, the equipment and/or operation is causing excessive damage. Depth of dowel hole shall be within a tolerance of $\pm 1/2$ inch (12 mm) of the dimension shown on the drawings. On completion of the drilling operation, the dowel hole shall be blown out with oil-free, compressed air. Dowels shall be bonded in the drilled holes using epoxy resin. Epoxy resin shall be injected at the back of the hole before installing the dowel and extruded to the collar during insertion of the dowel so as to completely fill the void around the dowel. Application by buttering the dowel will not be permitted. The dowels shall be held in alignment at the collar of the hole, after insertion and before the grout hardens, by means of a suitable metal or plastic grout retention ring fitted around the dowel. Dowels required to be installed in any joints between new and existing concrete shall be grouted in holes drilled in the existing concrete, all as specified above.

h. Sawing of joints. Joints shall be cut as shown on the plans. Equipment shall be as described in paragraph 501-4.1. The circular cutter shall be capable of cutting a groove in a straight line and shall

produce a slot at least 1/8 inch (3 mm) wide and to the depth shown on the plans. The top of the slot shall be widened by sawing to provide adequate space for joint sealers as shown on the plans. Sawing shall commence, without regard to day or night, as soon as the concrete has hardened sufficiently to permit cutting without chipping, spalling, or tearing and before uncontrolled shrinkage cracking of the pavement occurs and shall continue without interruption until all joints have been sawn. The joints shall be sawn at the required spacing. All slurry and debris produced in the sawing of joints shall be removed by vacuuming and washing. Curing compound or system shall be reapplied in the initial sawcut and maintained for the remaining cure period.

501-4.11 Finishing. Finishing operations shall be a continuing part of placing operations starting immediately behind the strike-off of the paver. Initial finishing shall be provided by the transverse screed or extrusion plate. The sequence of operations shall be transverse finishing, longitudinal machine floating if used, straightedge finishing, texturing, and then edging of joints. Finishing shall be by the machine method. The hand method shall be used only on isolated areas of odd slab widths or shapes and in the event of a breakdown of the mechanical finishing equipment. Supplemental hand finishing for machine finished pavement shall be kept to an absolute minimum. Any machine finishing operation which requires appreciable hand finishing, other than a moderate amount of straightedge finishing, shall be immediately stopped and proper adjustments made or the equipment replaced. Any operations which produce more than 1/8 inch (3 mm) of mortar-rich surface (defined as deficient in plus U.S. No. 4 (4.75 mm) sieve size aggregate) shall be halted immediately and the equipment, mixture, or procedures modified as necessary. Compensation shall be made for surging behind the screeds or extrusion plate and settlement during hardening and care shall be taken to ensure that paving and finishing machines are properly adjusted so that the finished surface of the concrete (not just the cutting edges of the screeds) will be at the required line and grade. Finishing equipment and tools shall be maintained clean and in an approved condition. At no time shall water be added to the surface of the slab with the finishing equipment or tools, or in any other way, except for fog (mist) sprays specified to prevent plastic shrinkage cracking.

a. Machine finishing with slipform pavers. The slipform paver shall be operated so that only a very minimum of additional finishing work is required to produce pavement surfaces and edges meeting the specified tolerances. Any equipment or procedure that fails to meet these specified requirements shall immediately be replaced or modified as necessary. A self-propelled non-rotating pipe float may be used while the concrete is still plastic, to remove minor irregularities and score marks. Only one pass of the pipe float shall be allowed. If there is concrete slurry or fluid paste on the surface that runs over the edge of the pavement, the paving operation shall be immediately stopped and the equipment, mixture, or operation modified to prevent formation of such slurry. Any slurry which does run down the vertical edges shall be immediately removed by hand, using stiff brushes or scrapers. No slurry, concrete or concrete mortar shall be used to build up along the edges of the pavement to compensate for excessive edge slump, either while the concrete is plastic or after it hardens.

b. Machine finishing with fixed forms. The machine shall be designed to straddle the forms and shall be operated to screed and consolidate the concrete. Machines that cause displacement of the forms shall be replaced. The machine shall make only one pass over each area of pavement. If the equipment and procedures do not produce a surface of uniform texture, true to grade, in one pass, the operation shall be immediately stopped and the equipment, mixture, and procedures adjusted as necessary.

c. Other types of finishing equipment. Clary screeds, other rotating tube floats, or bridge deck finishers are not allowed on mainline paving, but may be allowed on irregular or odd-shaped slabs, and near buildings or trench drains, subject to the Engineer's approval.

Bridge deck finishers shall have a minimum operating weight of 7500 pounds (3400 kg) and shall have a transversely operating carriage containing a knock-down auger and a minimum of two immersion vibrators. Vibrating screeds or pans shall be used only for isolated slabs where hand finishing is permitted as specified, and only where specifically approved.

d. Hand finishing. Hand finishing methods will not be permitted, except under the following conditions: (1) in the event of breakdown of the mechanical equipment, hand methods may be used to finish the concrete already deposited on the grade and (2) in areas of narrow widths or of irregular dimensions where operation of the mechanical equipment is impractical. Use hand finishing operations only as specified below.

(1) Equipment and screed. In addition to approved mechanical internal vibrators for consolidating the concrete, provide a strike-off and tamping screed and a longitudinal float for hand finishing. The screed shall be at least one foot (30 cm) longer than the width of pavement being finished, of an approved design, and sufficiently rigid to retain its shape, and shall be constructed of metal or other suitable material shod with metal. The longitudinal float shall be at least 10 feet (3 m) long, of approved design, and rigid and substantially braced, and shall maintain a plane surface on the bottom. Grate tampers (jitterbugs) shall not be used.

(2) Finishing and floating. As soon as placed and vibrated, the concrete shall be struck off and screeded to the crown and cross-section and to such elevation above grade that when consolidated and finished, the surface of the pavement will be at the required elevation. In addition to previously specified complete coverage with handheld immersion vibrators, the entire surface shall be tamped with the strike-off and tamping template, and the tamping operation continued until the required compaction and reduction of internal and surface voids are accomplished. Immediately following the final tamping of the surface, the pavement shall be floated longitudinally from bridges resting on the side forms and spanning but not touching the concrete. If necessary, additional concrete shall be placed, consolidated and screeded, and the float operated until a satisfactory surface has been produced. The floating operation shall be advanced not more than half the length of the float and then continued over the new and previously floated surfaces.

e. Straightedge testing and surface correction. After the pavement has been struck off and while the concrete is still plastic, it shall be tested for trueness with a Contractor furnished 12-foot (3.7-m) straightedge swung from handles 3 feet (1 m) longer than one-half the width of the slab. The straightedge shall be held in contact with the surface in successive positions parallel to the centerline and the whole area gone over from one side of the slab to the other, as necessary. Advancing shall be in successive stages of not more than one-half the length of the straightedge. Any excess water and laitance in excess of 1/8 inch (3 mm) thick shall be removed from the surface of the pavement and wasted. Any depressions shall be immediately filled with freshly mixed concrete, struck off, consolidated, and refinished. High areas shall be cut down and refinished. Special attention shall be given to assure that the surface across joints meets the smoothness requirements of paragraph 501-5.2e(3). Straightedge testing and surface corrections shall continue until the entire surface is found to be free from observable departures from the straightedge and until the slab conforms to the required grade and cross-section. The use of long-handled wood floats shall be confined to a minimum; they may be used only in emergencies and in areas not accessible to finishing equipment. This straight-edging is not a replacement for the straightedge testing of paragraph 501-5.2e(3), Smoothness.

501-4.12 Surface texture. The surface of the pavement shall be finished with either a brush or broom, burlap drag, or artificial turf finish for all newly constructed concrete pavements. It is important that the texturing equipment not tear or unduly roughen the pavement surface during the operation. Any imperfections resulting from the texturing operation shall be corrected to the satisfaction of the Engineer.

[**a. Brush or broom finish.** If the pavement surface texture is to be a type of brush or broom finish, it shall be applied when the water sheen has practically disappeared. The equipment shall operate transversely across the pavement surface, providing corrugations that are uniform in appearance and approximately 1/16 inch (2 mm) in depth.

b. Burlap drag finish. If a burlap drag is used to texture the pavement surface, it shall be at least 15 ounces per square yard (555 grams per square meter). To obtain a textured surface, the transverse threads of the burlap shall be removed approximately one foot (30 cm) from the trailing edge. A heavy buildup of grout on the burlap threads produces the desired wide sweeping longitudinal striations on the pavement surface. The corrugations shall be uniform in appearance and approximately 1/16 inch (2 mm) in depth.

c. Artificial turf finish. If artificial turf is used to texture the surface, it shall be applied by dragging the surface of the pavement in the direction of concrete placement with an approved full-width drag made with artificial turf. The leading transverse edge of the artificial turf drag will be securely fastened to a lightweight pole on a traveling bridge. At least 2 feet (60 cm) of the artificial turf shall be in contact with the concrete surface during dragging operations. A variety of different types of artificial turf are available and approval of any one type will be done only after it has been demonstrated by the Contractor to provide a satisfactory texture. One type that has provided satisfactory texture consists of 7,200 approximately 0.85 inch-long polyethylene turf blades per square foot. The corrugations shall be uniform in appearance and approximately 1/16 inch (2 mm) in depth.]

The Engineer shall specify the type of finish and delete those that do not apply.

501-4.13 Curing. Immediately after finishing operations are completed and marring of the concrete will not occur, the entire surface of the newly placed concrete shall be cured for a 7-day cure period in accordance with one of the methods below. Failure to provide sufficient cover material of whatever kind the Contractor may elect to use, or lack of water to adequately take care of both curing and other requirements, shall be cause for immediate suspension of concreting operations. The concrete shall not be left exposed for more than 1/2 hour during the curing period.

When a two-sawcut method is used to construct the contraction joint, the curing compound shall be applied to the sawcut immediately after the initial cut has been made. The sealant reservoir shall not be sawed until after the curing period has been completed. When the one cut method is used to construct the contraction joint, the joint shall be cured with wet rope, wet rags, or wet blankets. The rags, ropes, or blankets shall be kept moist for the duration of the curing period.

The Engineer shall delete cure types that may not be feasible in operating areas subject to aircraft jet blast.

The use of supplementary cementitious materials (for example, fly ash, slag cement) or set-retarding admixtures may delay the occurrence of bleed water. Curing should be applied after bleed water is gone from the surface.

a. Impervious membrane method. The entire surface of the pavement shall be sprayed uniformly with white pigmented curing compound immediately after the finishing of the surface and before the set of the concrete has taken place. The curing compound shall not be applied during rainfall. Curing compound shall be applied by mechanical sprayers under pressure at the rate of one gallon (4 liters) to not more than 150 sq ft (14 sq m). The spraying equipment shall be of the fully atomizing type equipped with a tank agitator. At the time of use, the compound shall be in a thoroughly mixed condition with the pigment uniformly dispersed throughout the vehicle. During application the compound shall be stirred continuously by mechanical means. Hand spraying of odd widths or shapes and concrete surfaces exposed by the removal of forms will be permitted. When hand spraying is approved by the Engineer, a double application rate shall be used to ensure coverage. The curing compound shall be of such character that the film will harden within 30 minutes after application. Should the film become damaged from any cause, including sawing operations, within the required curing period, the damaged portions shall be repaired immediately with additional compound or other approved means. Upon removal of side forms, the sides of the exposed slabs shall be protected immediately to provide a curing treatment equal to that provided for the surface. Curing shall be applied immediately after the bleed water is gone from the surface.

b. White burlap-polyethylene sheets. The surface of the pavement shall be entirely covered with the sheeting. The sheeting used shall be such length (or width) that it will extend at least twice the thickness of the pavement beyond the edges of the slab. The sheeting shall be placed so that the entire surface and both edges of the slab are completely covered. The sheeting shall be placed and weighted to remain in contact with the surface covered, and the covering shall be maintained fully saturated and in position for seven (7) days after the concrete has been placed.

c. Water method. The entire area shall be covered with burlap or other water absorbing material. The material shall be of sufficient thickness to retain water for adequate curing without excessive runoff. The material shall be kept wet at all times and maintained for seven (7) days. When the forms are stripped, the vertical walls shall also be kept moist. It shall be the responsibility of the Contractor to prevent ponding of the curing water on the subbase.

d. Concrete protection for cold weather. The concrete shall be maintained at an ambient temperature of at least 50°F (10°C) for a period of 72 hours after placing and at a temperature above freezing for the remainder of the curing time. The Contractor shall be responsible for the quality and strength of the concrete placed during cold weather; and any concrete damaged shall be removed and replaced at the Contractor's expense.

e. Concrete protection for hot weather. Concrete should be continuous moisture cured for the entire curing period and shall commence as soon as the surfaces are finished and continue for at least 24 hours. However, if moisture curing is not practical beyond 24 hours, the concrete surface shall be protected from drying with application of a liquid membrane-forming curing compound while the surfaces are still damp. Other curing methods may be approved by the Engineer.

501-4.14 Removing forms. Unless otherwise specified, forms shall not be removed from freshly placed concrete until it has hardened sufficiently to permit removal without chipping, spalling, or tearing. After the forms have been removed, the sides of the slab shall be cured as per the methods indicated in paragraph 501-4.13. Major honeycombed areas shall be considered as defective work and shall be removed and replaced in accordance with paragraph 501-5.2(f).

501-4.15 Saw-cut grooving. If shown on the plans, grooved surfaces shall be provided in accordance with the requirements of Item P-621.

501-4.16 Sealing joints. The joints in the pavement shall be sealed in accordance with Item [P-604] [P-605].

The Engineer shall include the applicable specifications.

501-4.17 Protection of pavement. The Contractor shall protect the pavement and its appurtenances against both public traffic and traffic caused by the Contractor’s employees and agents until accepted by the Engineer. This shall include watchmen to direct traffic and the erection and maintenance of warning signs, lights, pavement bridges, crossovers, and protection of unsealed joints from intrusion of foreign material, etc. Any damage to the pavement occurring prior to final acceptance shall be repaired or the pavement replaced at the Contractor’s expense.

Aggregates, rubble, or other similar construction materials shall not be placed on airfield pavements. Traffic shall be excluded from the new pavement by erecting and maintaining barricades and signs until the concrete is at least seven (7) days old, or for a longer period if directed by the Engineer.

In paving intermediate lanes between newly paved pilot lanes, operation of the hauling and paving equipment will be permitted on the new pavement after the pavement has been cured for seven (7) days and the joints have been sealed or otherwise protected, and the concrete has attained a minimum field cured flexural strength of 550 psi (37928 kPa) and approved means are furnished to prevent damage to the slab edge.

All new and existing pavement carrying construction traffic or equipment shall be continuously kept completely clean, and spillage of concrete or other materials shall be cleaned up immediately upon occurrence.

Damaged pavements shall be removed and replaced at the Contractor’s expense. Slabs shall be removed to the full depth, width, and length of the slab.

501-4.18 Opening to construction traffic. The pavement shall not be opened to traffic until test specimens molded and cured in accordance with ASTM C31 have attained a flexural strength of 550 lb / square inch (3.8 kPa) when tested in accordance with ASTM C78. If such tests are not conducted, the pavement shall not be opened to traffic until 14 days after the concrete was placed. Prior to opening the pavement to construction traffic, all joints shall either be sealed or protected from damage to the joint edge and intrusion of foreign materials into the joint. As a minimum, backer rod or tape may be used to protect the joints from foreign matter intrusion.

When the design strength in paragraph 501-3.1 is based on compressive strength, a strength of 3,500 psi (24130 kPa) shall be specified. Testing shall be in accordance with ASTM C39.

501-4.19 Repair, removal, or replacement of slabs.

a. General. New pavement slabs that are broken or contain cracks or are otherwise defective or unacceptable shall be removed and replaced or repaired, as directed by the Engineer and as specified hereinafter at no cost to the Owner. Spalls along joints shall be repaired as specified. Removal of partial slabs is not permitted. Removal and replacement shall be full depth, shall be full width of the slab, and the limit of removal shall be normal to the paving lane and to each original transverse joint. The Engineer will determine whether cracks extend full depth of the pavement and may require cores to be drilled on the crack to determine depth of cracking. Such cores shall be 4 inch (100 mm) diameter, shall be drilled by the Contractor and shall be filled by the Contractor with a well consolidated concrete mixture bonded

to the walls of the hole with epoxy resin, using approved procedures. Drilling of cores and refilling holes shall be at no expense to the Owner. All epoxy resin used in this work shall conform to ASTM C881, Type V. Repair of cracks as described in this section shall not be allowed if in the opinion of the Engineer the overall condition of the pavement indicates that such repair is unlikely to achieve an acceptable and durable finished pavement. No repair of cracks shall be allowed in any panel that demonstrates segregated aggregate with an absence of coarse aggregate in the upper 1/8 inch (3 mm) of the pavement surface.

b. Shrinkage cracks. Shrinkage cracks, which do not exceed 4 inches (100 mm) in depth, shall be cleaned and then pressure injected with epoxy resin, Type IV, Grade 1, using procedures as approved by the Engineer. Care shall be taken to assure that the crack is not widened during epoxy resin injection. All epoxy resin injection shall take place in the presence of the Engineer. Shrinkage cracks, which exceed 4 inches (100 mm) in depth, shall be treated as full depth cracks in accordance with paragraphs 4.19b and 4.19c.

c. Slabs with cracks through interior areas. Interior area is defined as that area more than 6 inches (150 mm) from either adjacent original transverse joint. The full slab shall be removed and replaced at no cost to the Owner, when there are any full depth cracks, or cracks greater than 4 inches (100 mm) in depth, that extend into the interior area.

d. Cracks close to and parallel to joints. All cracks essentially parallel to original joints, extending full depth of the slab, and lying wholly within 6 inches (150 mm) either side of the joint shall be treated as specified here. Any crack extending more than 6 inches (150 mm) from the joint shall be treated as specified above in subparagraph c.

(1) Full depth cracks present, original joint not opened. When the original un-cracked joint has not opened, the crack shall be sawed and sealed, and the original joint filled with epoxy resin as specified below. The crack shall be sawed with equipment specially designed to follow random cracks. The reservoir for joint sealant in the crack shall be formed by sawing to a depth of 3/4 inches (19 mm), $\pm 1/16$ inch (2 mm), and to a width of 5/8 inch (16 mm), $\pm 1/8$ inch (3 mm). Any equipment or procedure which causes raveling or spalling along the crack shall be modified or replaced to prevent such raveling or spalling. The joint sealant shall be a liquid sealant as specified. Installation of joint seal shall be as specified for sealing joints or as directed. If the joint sealant reservoir has been sawed out, the reservoir and as much of the lower saw cut as possible shall be filled with epoxy resin, Type IV, Grade 2, thoroughly tooled into the void using approved procedures.

If only the original narrow saw cut has been made, it shall be cleaned and pressure injected with epoxy resin, Type IV, Grade 1, using approved procedures. If filler type material has been used to form a weakened plane in the transverse joint, it shall be completely sawed out and the saw cut pressure injected with epoxy resin, Type IV, Grade 1, using approved procedures. Where a parallel crack goes part way across paving lane and then intersects and follows the original joint which is cracked only for the remained of the width, it shall be treated as specified above for a parallel crack, and the cracked original joint shall be prepared and sealed as originally designed.

(2) Full depth cracks present, original joint also cracked. At a joint, if there is any place in the lane width where a parallel crack and a cracked portion of the original joint overlap, the entire slab containing the crack shall be removed and replaced for the full lane width and length.

e. Removal and replacement of full slabs. Where it is necessary to remove full slabs, unless there are dowels present, all edges of the slab shall be cut full depth with a concrete saw. All saw cuts shall be perpendicular to the slab surface. If dowels, or tie bars are present along any edges, these edges shall be sawed full depth just beyond the end of the dowels or tie bars. These joints shall then be carefully sawed on the joint line to within one inch (25 mm) of the depth of the dowel or tie bar.

The main slab shall be further divided by sawing full depth, at appropriate locations, and each piece lifted out and removed. Suitable equipment shall be used to provide a truly vertical lift, and approved safe lifting devices used for attachment to the slabs. The narrow strips along doweled edges shall be carefully broken up and removed using light, hand-held jackhammers, 30 lb (14 kg) or less, or other approved similar equipment.

Care shall be taken to prevent damage to the dowels, tie bars, or to concrete to remain in place. The joint face below dowels shall be suitably trimmed so that there is not abrupt offset in any direction greater than 1/2 inch (12 mm) and no gradual offset greater than one inch (25 mm) when tested in a horizontal direction with a 12-foot (3.7-m) straightedge.

No mechanical impact breakers, other than the above hand-held equipment shall be used for any removal of slabs. If underbreak between 1-1/2 and 4 inches (38 and 100 mm) deep occurs at any point along any edge, the area shall be repaired as directed before replacing the removed slab. Procedures directed will be similar to those specified for surface spalls, modified as necessary.

If underbreak over 4 inches (100 mm) deep occurs, the entire slab containing the underbreak shall be removed and replaced. Where there are no dowels or tie bars, or where they have been damaged, dowels or tie bars of the size and spacing as specified for other joints in similar pavement shall be installed by epoxy grouting them into holes drilled into the existing concrete using procedures as specified. Original damaged dowels or tie bars shall be cut off flush with the joint face. Protruding portions of dowels shall be painted and lightly oiled. All four (4) edges of the new slab shall contain dowels or original tie bars.

Placement of concrete shall be as specified for original construction. Prior to placement of new concrete, the underlying material (unless it is stabilized) shall be re-compacted and shaped as specified in the appropriate section of these specifications. The surfaces of all four joint faces shall be cleaned of all loose material and contaminants and coated with a double application of membrane forming curing compound as bond breaker. Care shall be taken to prevent any curing compound from contacting dowels or tie bars. The resulting joints around the new slab shall be prepared and sealed as specified for original construction.

f. Repairing spalls along joints. Where directed, spalls along joints of new slabs, and along parallel cracks used as replacement joints, shall be repaired by first making a vertical saw cut at least one inch (25 mm) outside the spalled area and to a depth of at least 2 inch (50 mm). Saw cuts shall be straight lines forming rectangular areas. The concrete between the saw cut and the joint, or crack, shall be chipped out to remove all unsound concrete and at least 1/2 inch (12 mm) of visually sound concrete. The cavity thus formed shall be thoroughly cleaned with high-pressure water jets supplemented with compressed air to remove all loose material. Immediately before filling the cavity, a prime coat of epoxy resin, Type III, Grade I, shall be applied to the dry cleaned surface of all sides and bottom of the cavity, except any joint face. The prime coat shall be applied in a thin coating and scrubbed into the surface with a stiff-bristle brush. Pooling of epoxy resin shall be avoided. The cavity shall be filled with low slump Portland cement concrete or mortar or with epoxy resin concrete or mortar. Concrete shall be used for larger spalls, generally those more than 1/2 cu. ft. (0.014 m³) in size, and mortar shall be used for the smaller ones. Any spall less than 0.1 cu. ft. (0.003 m³) shall be repaired only with epoxy resin mortar or a Grade III epoxy resin. Portland cement concrete and mortar mixtures shall be proportioned as directed and shall be mixed, placed, consolidated, and cured as directed. Epoxy resin mortars shall be made with Type III, Grade 1, epoxy resin, using proportions and mixing and placing procedures as recommended by the manufacturer and approved by the Engineer. The epoxy resin materials shall be placed in the cavity in layers not over 2 inches (50 mm) thick. The time interval between placement of additional layers shall be such that the temperature of the epoxy resin material does not exceed 140°F (60°C) at any time during hardening. Mechanical vibrators and hand tampers shall be used to consolidate the concrete or mortar. Any repair material on the surrounding surfaces of the existing concrete shall be removed before it hardens. Where the spalled area abuts a joint, an insert or other bond-breaking medium shall be used to prevent bond at

the joint face. A reservoir for the joint sealant shall be sawed to the dimensions required for other joints, or as required to be routed for cracks. The reservoir shall be thoroughly cleaned and sealed with the sealer specified for the joints. If any spall penetrates half the depth of the slab or more, the entire slab shall be removed and replaced as previously specified. If any spall would require over 25% of the length of any single joint to be repaired, the entire slab shall be removed and replaced. Repair of spalls as described in this section shall not be allowed if in the opinion of the Engineer the overall condition of the pavement indicates that such repair is unlikely to achieve an acceptable and durable finished pavement. No repair of spalls shall be allowed in any panel that demonstrates segregated aggregate with a significant absence of coarse aggregate in the upper one-eighth (1/8th) inch of the pavement surface.

g. Diamond grinding of PCC surfaces. Diamond grinding of the hardened concrete with an approved diamond grinding machine should not be performed until the concrete is 14 days or more old and concrete has reached full minimum strength. When required, diamond grinding shall be accomplished by sawing with saw blades impregnated with industrial diamond abrasive. The saw blades shall be assembled in a cutting head mounted on a machine designed specifically for diamond grinding that will produce the required texture and smoothness level without damage to the pavement. The saw blades shall be 1/8-inch (3-mm) wide and there shall be a minimum of 55 to 60 blades per 12 inches (300 mm) of cutting head width; the actual number of blades will be determined by the Contractor and depend on the hardness of the aggregate. Each machine shall be capable of cutting a path at least 3 feet (0.9 m) wide. Equipment that causes ravels, aggregate fractures, spalls or disturbance to the joints will not be permitted. The area corrected by diamond grinding the surface of the hardened concrete should not exceed 10% of the total area of any subplot. The depth of diamond grinding shall not exceed 1/2 inch (13 mm) and all areas in which diamond grinding has been performed will be subject to the final pavement thickness tolerances specified. Grinding will be tapered in all directions to provide smooth transitions to areas not requiring grinding. All pavement areas requiring plan grade or surface smoothness corrections in excess of the limits specified above, may require removing and replacing in conformance with paragraph 501-4.19.

501-4.20 Existing concrete pavement removal and repair.

In addition to as-built drawings, sufficient exploration should be made (not just reference to as-built drawings) so the designer knows what the existing pavement is at the jointing area-dowels, keys, tie bars, etc. and its condition. Normally the joint between the new pavement and existing pavement should be made at an existing joint in the old pavement.

All operations shall be carefully controlled to prevent damage to the concrete pavement and to the underlying material to remain in place. All saw cuts shall be made perpendicular to the slab surface.

a. Removal of existing pavement slab.

Edit bracketed items concerning dowels to conform to the design used. The best results will usually be with a design requiring that dowels be sawed off and new dowels installed in drilled holes. The saw cut at a distance from the joint is always more effective if sawed with a wheel saw-which produces a one inch (25 mm) kerf and better prevents stress from propagating across the saw cut.

When it is necessary to remove existing concrete pavement and leave adjacent concrete in place, [unless there are dowels present,] the joint between the removal area and adjoining pavement to stay in place, [including dowels or tie bars,] shall first be cut full depth with a standard diamond-type concrete saw. [If dowels are present at this joint, the saw cut shall be made full depth just beyond the end of dowels. The edge shall then be carefully sawed on the joint line to within one inch (25 mm) of the top of the dowel.] Next, a full depth saw cut shall be made parallel to the joint at least 24 inches (600 mm) from the joint and at least 12 inches (300 mm) from the end of any dowels. All pavement between this last saw cut and the joint line shall be carefully broken up and removed using hand-held jackhammers, 30 lb (14 kg) or less, or the approved light-duty equipment which will not cause stress to propagate across the joint saw cut and cause distress in the pavement which is to remain in place. [Where dowels are present, care shall be taken to produce an even, vertical joint face below the dowels. If the Contractor is unable to produce such a joint face, or if underbreak or other distress occurs, the Contractor shall saw the dowels flush with the joint. The Contractor shall then install new dowels, of the size and spacing used for other similar joints, by epoxy resin bonding them in holes drilled in the joint face as specified in paragraph 501-4.10g. All this shall be at no additional cost to the Owner.] [Dowels of the size and spacing indicated shall be installed as shown on the drawings by epoxy resin bonding them in holes drilled in the joint face as specified in paragraph 501-4.10g.] The joint face shall be sawed or otherwise trimmed so that there is no abrupt offset in any direction greater than 1/2 inches (12 mm) and no gradual offset greater than one inch (25 mm) when tested in a horizontal direction with a 12-foot (3.7-m) straightedge.

b. Edge repair.

Edit bracketed items on payment as appropriate.

The edge of existing concrete pavement against which new pavement abuts shall be protected from damage at all times. Areas that are damaged during construction shall be repaired at no cost to the Owner.

(1) Spall repair. Spalls shall be repaired where indicated and where directed by the Engineer. Repair materials and procedures shall be as previously specified in subparagraph 501-4.19f.

(2) Underbreak repair. All underbreak shall be repaired. First, all delaminated and loose material shall be carefully removed. Next, the underlying material shall be recompact, without addition of any new material. Finally, the void shall be completely filled with paving concrete, thoroughly consolidated. Care shall be taken to produce an even joint face from top to bottom. Prior to placing concrete, the underlying material shall be thoroughly moistened. After placement, the exposed surface shall be heavily coated with curing compound.

(3) Underlying material. The underlying material adjacent to the edge and under the existing pavement which is to remain in place shall be protected from damage or disturbance during removal operations and until placement of new concrete, and shall be shaped as shown on the drawings or as directed. Sufficient material shall be kept in place outside the joint line to prevent disturbance (or sloughing) of material under the pavement that is to remain in place. Any material under the portion of the concrete pavement to remain in place, which is disturbed or loses its compaction shall be carefully

removed and replaced with concrete as specified in paragraph 501-4.20b(2). The underlying material outside the joint line shall be thoroughly compacted and moist when new concrete is placed.

MATERIAL ACCEPTANCE

501-5.1 Acceptance sampling and testing. All acceptance sampling and testing necessary to determine conformance with the requirements specified in this section, with the exception of coring for thickness determination, will be performed by the Engineer at no cost to the Contractor. The Contractor shall bear the cost of providing curing facilities for the strength specimens, per paragraph 501-5.1a(3), and coring and filling operations, per paragraph 501-5.1b(1). Testing organizations performing these tests shall be accredited in accordance with ASTM C1077. The laboratory accreditation must be current and listed on the accrediting authority's website. All test methods required for acceptance sampling and testing must be listed on the lab accreditation. A copy of the laboratory's current accreditation and accredited test methods shall be submitted to the Engineer prior to start of construction.

Concrete shall be accepted for strength and thickness on a lot basis.

The Engineer shall do the acceptance testing per the specifications.

A lot shall consist of a day's production not to exceed 2,000 cubic yards (1530 cubic meters) [square yards (square meters)].

The Engineer shall specify the lot size for a project based on the total quantity and the expected production rate. The lot size should not exceed 2,000 cubic yards (1,530 cubic meters). For projects where basis of payment is square yards (square meters), the Engineer shall convert the lot size to an equivalent area that contains 2,000 cubic yards (1,530 cubic meters) or less.

a. Flexural strength.

(1) Sampling. Each lot shall be divided into four equal sublots. One sample shall be taken for each subplot from the plastic concrete delivered to the job site. Sampling locations shall be determined by the Engineer in accordance with random sampling procedures contained in ASTM D3665. The concrete shall be sampled in accordance with ASTM C172.

(2) Testing. Two (2) specimens shall be made from each sample. Specimens shall be made in accordance with ASTM C31 and the flexural strength of each specimen shall be determined in accordance with ASTM C78. The flexural strength for each subplot shall be computed by averaging the results of the two test specimens representing that subplot.

Immediately prior to testing for flexural strength, the beam shall be weighed and measured for determination of a sample unit weight. Measurements shall be made for each dimension; height, depth, and length, at the mid-point of the specimen and reported to the nearest 1/10 inch (3 mm). The weight of the specimen shall be reported to the nearest 0.1 pound (45 gm). The sample unit weight shall be calculated by dividing the sample weight by the calculated volume of the sample. This information shall be reported as companion information to the measured flexural strength for each specimen.

The samples will be transported while in the molds. The curing, except for the initial cure period, will be accomplished using the immersion in saturated lime water method.

Slump, air content, and temperature tests will also be conducted by the quality assurance laboratory for each set of strength test samples, per ASTM C31.

(3) Curing. The Contractor shall provide adequate facilities for the initial curing of beams. During the 24 hours after molding, the temperature immediately adjacent to the specimens must be maintained in the range of 60° to 80°F (16° to 27°C), and loss of moisture from the specimens must be prevented. The specimens may be stored in tightly constructed wooden boxes, damp sand pits, temporary buildings at construction sites, under wet burlap in favorable weather, or in heavyweight closed plastic bags, or using other suitable methods, provided the temperature and moisture loss requirements are met.

(4) Acceptance. Acceptance of pavement for flexural strength will be determined by the Engineer in accordance with paragraph 501-5.2b.

Preventing loss of moisture is extremely important since relatively small amounts of surface drying of flexural specimens can induce tensile stresses in the extreme fibers that will markedly reduce the indicated flexural strength.

When the design strength in paragraph 501-3.1 is based on compressive strength, this paragraph should be revised as follows:

a. Compressive strength.

(1) Sampling. Each lot shall be divided into four equal sublots. One sample shall be taken for each subplot from the plastic concrete delivered to the job site. Sampling locations shall be determined by the Engineer in accordance with random sampling procedures contained in ASTM D3665. The concrete shall be sampled in accordance with ASTM C172.

(2) Testing. Two (2) specimens shall be made from each sample. Specimens shall be made in accordance with ASTM C31 and the compressive strength of each specimen shall be determined in accordance with ASTM C39. The compressive strength for each subplot shall be computed by averaging the results of the two test specimens representing that subplot.

(3) Curing. The Contractor shall provide adequate facilities for the initial curing of cylinders. During the 24 hours after molding, the temperature immediately adjacent to the specimens must be maintained in the range of 60° to 80°F (16° to 27°C), and loss of moisture from the specimens must be prevented. The specimens may be stored in tightly constructed wooden boxes, damp sand pits, temporary buildings at construction sites, under wet burlap in favorable weather or in heavyweight closed plastic bags, or use other suitable methods, provided the temperature and moisture loss requirements are met.

b. Pavement thickness.

(1) Sampling. Each lot shall be divided into four equal sublots and one core shall be taken by the Contractor for each subplot. Sampling locations shall be determined by the Engineer in accordance with random sampling procedures contained in ASTM D3665. Areas, such as thickened edges, with planned variable thickness, shall be excluded from sample locations.

Cores shall be neatly cut with a core drill. The Contractor shall furnish all tools, labor, and materials for cutting samples and filling the cored hole. Core holes shall be filled by the Contractor with a non-shrink grout approved by the Engineer within one day after sampling.

(2) Testing. The thickness of the cores shall be determined by the Engineer by the average caliper measurement in accordance with ASTM C174.

(3) Acceptance. Acceptance of pavement for thickness shall be determined by the Engineer in accordance with paragraph 501-5.2c.

c. Partial lots. When operational conditions cause a lot to be terminated before the specified number of tests have been made for the lot, or when the Contractor and Engineer agree in writing to allow overages or minor placements to be considered as partial lots, the following procedure will be used to adjust the lot size and the number of tests for the lot.

Where three sublots have been produced, they shall constitute a lot. Where one or two sublots have been produced, they shall be incorporated into the next lot or the previous lot and the total number of sublots shall be used in the acceptance criteria calculation, that is, $n=5$ or $n=6$.

d. Outliers. All individual flexural strength tests within a lot shall be checked for an outlier (test criterion) in accordance with ASTM E178, at a significance level of 5%. Outliers shall be discarded, and the percentage of material within specification limits (PWL) shall be determined using the remaining test values.

501-5.2 Acceptance criteria.

a. General. Acceptance will be based on the following characteristics of the completed pavement discussed in paragraph 501-5.2e:

- (1) Flexural strength
- (2) Thickness
- (3) Smoothness
- (4) Grade
- (5) Edge slump

Flexural strength and thickness shall be evaluated for acceptance on a lot basis using the method of estimating PWL. Acceptance using PWL considers the variability (standard deviation) of the material and the testing procedures, as well as the average (mean) value of the test results to calculate the percentage of material that is above the lower specification tolerance limit (L).

Acceptance for flexural strength will be based on the criteria contained in accordance with paragraph 501-5.2e(1). Acceptance for thickness will be based on the criteria contained in paragraph 501-5.2e(2). Acceptance for smoothness will be based on the criteria contained in paragraph 501-5.2e(3). Acceptance for grade will be based on the criteria contained in paragraph 501-5.2e(4).

The Engineer may at any time, notwithstanding previous plant acceptance, reject and require the Contractor to dispose of any batch of concrete mixture which is rendered unfit for use due to contamination, segregation, or improper slump. Such rejection may be based on only visual inspection. In the event of such rejection, the Contractor may take a representative sample of the rejected material in the presence of the Engineer, and if it can be demonstrated in the laboratory, in the presence of the Engineer, that such material was erroneously rejected, payment will be made for the material at the contract unit price.

b. Flexural strength. Acceptance of each lot of in-place pavement for flexural strength shall be based on PWL. The Contractor shall target production quality to achieve 90 PWL or higher.

When the design strength in paragraph 501-3.1 is based on compressive strength, substitute compressive strength for flexural strength.

c. Pavement thickness. Acceptance of each lot of in-place pavement shall be based on PWL. The Contractor shall target production quality to achieve 90 PWL or higher.

d. Percentage of material within limits (PWL). The PWL shall be determined in accordance with procedures specified in Section 110 of the General Provisions.

The lower specification tolerance limit (L) for flexural strength and thickness shall be:

Lower Specification Tolerance Limit (L)

Flexural Strength	0.93 × strength specified in paragraph 501-3.1
Thickness	Lot Plan Thickness in inches, - 0.50 in

The lower specification tolerance limits above are based on applying statistical analysis to FAA design assumptions, and there is no need to compensate for the above factor in the design process. When the design strength in paragraph 501-3.1 is based on compressive strength, substitute compressive strength for flexural strength and insert 4,140 psi as L for strength.

e. Acceptance criteria.

(1) Flexural Strength. If the PWL of the lot equals or exceeds 90%, the lot shall be acceptable. Acceptance and payment for the lot shall be determined in accordance with paragraph 501-8.1.

(2) Thickness. If the PWL of the lot equals or exceeds 90%, the lot shall be acceptable. Acceptance and payment for the lot shall be determined in accordance with paragraph 501-8.1.

(3) Smoothness. As soon as the concrete has hardened sufficiently, but not later than 48 hours after placement, the surface of each lot shall be tested in both longitudinal and transverse directions for smoothness to reveal all surface irregularities exceeding the tolerances specified. The Contractor shall furnish paving equipment and employ methods that produce a surface for each section of pavement having an average profile index meeting the requirements of paragraph 501-8.1c when evaluated with a profilograph; and the finished surface of the pavement shall not vary more than 1/4 inch (6mm) when evaluated with a 12-foot (3.7m) straightedge. When the surface smoothness exceeds specification tolerances which cannot be corrected by diamond grinding of the pavement, full depth removal and replacement of pavement shall be to the limit of the longitudinal placement. Corrections involving diamond grinding will be subject to the final pavement thickness tolerances specified.

(a) Transverse measurements. Transverse measurements will be taken for each lot placed. Transverse measurements will be taken perpendicular to the pavement centerline each 50 feet (15m) or more often as determined by the Engineer.

(i) Testing shall be continuous across all joints, starting with one-half the length of the straight edge at the edge of pavement section being tested and then moved ahead one-half the length of the straight edge for each successive measurement. Smoothness readings will not be made across grade changes or cross slope transitions; at these transition areas, the straightedge position shall be adjusted to

measure surface smoothness and not design grade or cross slope transitions. The amount of surface irregularity shall be determined by placing the freestanding (unleveled) straightedge on the pavement surface and allowing it to rest upon the two highest spots covered by its length, and measuring the maximum gap between the straightedge and the pavement surface in the area between these two high points. Deviations on final pavement $> 1/4$ inch (6mm) in transverse direction shall be corrected with diamond grinding per paragraph 501-4.19g or by removing and replacing full depth of pavement. Grinding will be tapered in all directions to provide smooth transitions to areas not requiring grinding. The area corrected by grinding should not exceed 10% of the total area and these areas shall be retested after grinding.

(ii) The joint between lots shall be tested separately to facilitate smoothness between lots. The amount of surface irregularity shall be determined by placing the freestanding (unleveled) straightedge on the pavement surface, with half the straightedge on one side of the joint and the other half of the straightedge on the other side of the joint. Measure the maximum gap between the straightedge and the pavement surface in the area between these two high points. One measurement shall be taken at the joint every 50 feet (15m) or more often if directed by the Engineer. Maximum gap on final pavement surface $> 1/4$ inch (6mm) in transverse direction shall be corrected with diamond grinding per paragraph 501-4.19g or by removing and replacing full depth of surface. Each measurement shall be recorded and a copy of the data shall be furnished to the Engineer at the end of each days testing.

(b) Longitudinal measurements. Longitudinal measurements will be taken for each lot placed. Longitudinal tests will be parallel to the centerline of paving; at the center of paving lanes when widths of paving lanes are less than 20 feet (6m); and at the one third points of paving lanes when widths of paving lanes are 20 ft (6m) or greater.

(i) Longitudinal Short Sections. Longitudinal Short Sections are when the longitudinal lot length is less than 200 feet (60m) and areas not requiring a profilograph. When approved by the Engineer, the first and last 15 feet (4.5m) of the lot can also be considered as short sections for smoothness. The finished surface shall not vary more than $1/4$ inch (6mm) when evaluated with a 12-foot (3.7m) straightedge. Smoothness readings will not be made across grade changes or cross slope transitions, at these transition areas, the straightedge position shall be adjusted to measure surface smoothness and not design grade or cross slope transitions. Testing shall be continuous across all joints, starting with one-half the length of the straight edge at the edge of pavement section being tested and then moved ahead one-half the length of the straight edge for each successive measurement. The amount of surface irregularity shall be determined by placing the freestanding (unleveled) straightedge on the pavement surface and allowing it to rest upon the two highest spots covered by its length, and measuring the maximum gap between the straightedge and the pavement surface in the area between these two high points. Deviations on final pavement surface $> 1/4$ inch (6mm) in longitudinal direction will be corrected with diamond grinding per paragraph 501-4.19g or by removing and replacing full depth of surface. Grinding will be tapered in all directions to provide smooth transitions to areas not requiring grinding. The area corrected by grinding should not exceed 10% of the total area and these areas shall be retested after grinding.

(ii) Profilograph Testing. Profilograph testing shall be performed by the contractor using approved equipment and procedures as described as ASTM E1274. The equipment shall utilize electronic recording and automatic computerized reduction of data to indicate "must grind" bumps and the Profile Index for the pavement using a 0.2 inch (5 mm) blanking band. The bump template must span one inch (25 mm) with an offset of 0.4 inches (10 mm). The profilograph must be calibrated prior to use and operated by a factory or State DOT approved operator. Profilograms shall be recorded on a longitudinal scale of one inch (25 mm) equals 25 feet (7.5 m) and a vertical scale of one inch (25 mm) equals one inch (25 mm). A copy of the reduced tapes shall be furnished to the Engineer at the end of each days testing.

The pavement must have an average profile index meeting the requirements of paragraph 501-8.1c. Deviations on final surface in longitudinal direction shall be corrected with diamond grinding

per paragraph 501-4.19g or by removing and replacing full depth of pavement. Grinding will be tapered in all directions to provide smooth transitions to areas not requiring grinding. The area corrected by grinding should not exceed 10% of the total area and these areas shall be retested after grinding.

Where corrections are necessary, second profilograph runs shall be performed to verify that the corrections produced an average profile index of 15 inches (38 cm) per mile or less. If the initial average profile index was less than 15 inches (38 cm), only those areas representing greater than 0.4 inch (10 mm) deviation will be re-profiled for correction verification.

(iii) Final profilograph of [runway]. Final profilograph, full length of runway, shall be performed to facilitate testing of smoothness between lots. Profilograph testing shall be performed by the contractor using approved equipment and procedures as described as ASTM E1274. The pavement must have an average profile index meeting the requirements of paragraph 501-8.1c. The equipment shall utilize electronic recording and automatic computerized reduction of data to indicate "must grind" bumps and the Profile Index for the pavement using a 0.2 inch (5 mm) blanking band. The bump template must span one inch (25 mm) with an offset of 0.4 inches (10 mm). The profilograph must be calibrated prior to use and operated by a factory or State DOT approved, trained operator. Profilograms shall be recorded on a longitudinal scale of one inch (25 mm) equals 25 feet (7.5 m) and a vertical scale of one inch (25 mm) equals one inch (25 mm). A copy of the reduced tapes shall be furnished to the Engineer at the end of each days testing. Profilograph of final runway shall be performed one foot right and left of runway centerline and 15 feet right and left of centerline. Any areas that indicate "must grind" will be corrected as directed by the Engineer.

Smoothness testing indicated in the above paragraphs except paragraph (iii) shall be performed within 48 hours of placement of material. Smoothness texting indicated in paragraph (iii) shall be performed within 48 hours final paving completion. The primary purpose of smoothness testing is to identify areas that may be prone to ponding of water which could lead to hydroplaning of aircraft. If the contractor's machines and/or methods are producing significant areas that need corrective actions then production should be stopped until corrective measures can be implemented. If corrective measures are not implemented and when directed by the Engineer, production shall be stopped until corrective measures can be implemented.

Typically, final profilograph is only required on runway projects. The Engineer has the option of specifying final profilograph on taxiway, apron and/or other pavement areas if deemed appropriate.

(4) Grade. An evaluation of the surface grade shall be made by the Engineer for compliance to the tolerances contained below. The finish grade will be determined by running levels at intervals of 50 feet (15 m) or less longitudinally and all breaks in grade transversely (not to exceed 50 feet (15 m)) to determine the elevation of the completed pavement. The Contractor shall pay the costs of surveying the level runs, and this work shall be performed by a licensed surveyor. The documentation, stamped and signed by a licensed surveyor, shall be provided by the Contractor to the Engineer.

(a) Lateral deviation. Lateral deviation from established alignment of the pavement edge shall not exceed ±0.10 feet (30 mm) in any lane.

(b) Vertical deviation. Vertical deviation from established grade shall not exceed ±0.04 feet (12 mm) at any point.

(5) Edge slump. When excessive edge slump cannot be corrected before the concrete has hardened, the area with excessive edge slump shall be removed and replaced at the expense of the Contractor as directed by the Engineer in accordance with paragraph 501-4.8a.

f. Removal and replacement of concrete. Any area or section of concrete that is removed and replaced shall be removed and replaced back to planned joints. The Contractor shall replace damaged dowels and the requirements for doweled longitudinal construction joints in paragraph 501-4.10 shall apply to all contraction joints exposed by concrete removal. Removal and replacement shall be in accordance with paragraph 501-4.20.

CONTRACTOR QUALITY CONTROL

501-6.1 Quality control program. The Contractor shall develop a Quality Control Program in accordance with Section 100 of the General Provisions. The program shall address all elements that affect the quality of the pavement including but not limited to:

- a. Mix Design
- b. Aggregate Gradation
- c. Quality of Materials
- d. Stockpile Management
- e. Proportioning
- f. Mixing and Transportation
- g. Placing and Consolidation
- h. Joints
- i. Dowel Placement and Alignment
- j. Flexural or Compressive Strength
- k. Finishing and Curing
- l. Surface Smoothness

When the design requires paving an area less than 600 square yard (500 sq m), the Engineer may request modification to this requirement.

501-6.2 Quality control testing. The Contractor shall perform all quality control tests necessary to control the production and construction processes applicable to this specification and as set forth in the Quality Control Program. The testing program shall include, but not necessarily be limited to, tests for aggregate gradation, aggregate moisture content, slump, and air content.

A Quality Control Testing Plan shall be developed as part of the Quality Control Program.

a. Fine aggregate.

(1) Gradation. A sieve analysis shall be made at least twice daily in accordance with ASTM C136 from randomly sampled material taken from the discharge gate of storage bins or from the conveyor belt.

(2) Moisture content. If an electric moisture meter is used, at least two direct measurements of moisture content shall be made per week to check the calibration. If direct measurements are made in lieu of using an electric meter, two tests shall be made per day. Tests shall be made in accordance with ASTM C70 or ASTM C566.

b. Coarse Aggregate.

(1) Gradation. A sieve analysis shall be made at least twice daily for each size of aggregate. Tests shall be made in accordance with ASTM C136 from randomly sampled material taken from the discharge gate of storage bins or from the conveyor belt.

(2) Moisture content. If an electric moisture meter is used, at least two direct measurements of moisture content shall be made per week to check the calibration. If direct measurements are made in lieu of using an electric meter, two tests shall be made per day. Tests shall be made in accordance with ASTM C566.

c. Slump. Four slump tests shall be performed for each lot of material produced in accordance with the lot size defined in paragraph 501-5.1. One test shall be made for each subplot. Slump tests shall be performed in accordance with ASTM C143 from material randomly sampled from material discharged from trucks at the paving site. Material samples shall be taken in accordance with ASTM C172.

d. Air content. Four air content tests, shall be performed for each lot of material produced in accordance with the lot size defined in paragraph 501-5.1. One test shall be made for each subplot. Air content tests shall be performed in accordance with ASTM C231 for gravel and stone coarse aggregate and ASTM C173 for slag or other porous coarse aggregate, from material randomly sampled from trucks at the paving site. Material samples shall be taken in accordance with ASTM C172.

e. Four unit weight and yield tests shall be made in accordance with ASTM C138. The samples shall be taken in accordance with ASTM C172 and at the same time as the air content tests.

501-6.3 Control charts. The Contractor shall maintain linear control charts for fine and coarse aggregate gradation, slump, moisture content and air content.

Control charts shall be posted in a location satisfactory to the Engineer and shall be kept up to date at all times. As a minimum, the control charts shall identify the project number, the contract item number, the test number, each test parameter, the Action and suspension Limits, or Specification limits, applicable to each test parameter, and the Contractor's test results. The Contractor shall use the control charts as part of a process control system for identifying potential problems and assignable causes before they occur. If the Contractor's projected data during production indicates a potential problem and the Contractor is not taking satisfactory corrective action, the Engineer may halt production or acceptance of the material.

a. Fine and coarse aggregate gradation. The Contractor shall record the running average of the last five gradation tests for each control sieve on linear control charts. Specification limits contained in the Lower Specification Tolerance Limit (L) table above and the Control Chart Limits table below shall be superimposed on the Control Chart for job control.

b. Slump and air content. The Contractor shall maintain linear control charts both for individual measurements and range (that is, difference between highest and lowest measurements) for slump and air content in accordance with the following Action and Suspension Limits.

Control Chart Limits

Control Parameter	Individual Measurements		Range Suspension Limit
	Action Limit	Suspension Limit	
Slip Form:			
Slump	+0 to -1 inch (0-25 mm)	+0.5 to -1.5 inch (13-38 mm)	±1.5 inch (38 mm)
Air Content	±1.2%	±1.8%	±2.5%
Side Form:			
Slump	+0.5 to -1 inch (13-25 mm)	+1 to -1.5 inch (25-38 mm)	±1.5 inch (38 mm)
Air Content	±1.2%	±1.8%	±2.5%

The individual measurement control charts shall use the mix design target values as indicators of central tendency.

501-6.4 Corrective action. The Contractor Quality Control Program shall indicate that appropriate action shall be taken when the process is believed to be out of control. The Contractor Quality Control Program shall detail what action will be taken to bring the process into control and shall contain sets of rules to gauge when a process is out of control. As a minimum, a process shall be deemed out of control and corrective action taken if any one of the following conditions exists.

a. Fine and coarse aggregate gradation. When two consecutive averages of five tests are outside of the specification limits in paragraph 501-2.1, immediate steps, including a halt to production, shall be taken to correct the grading.

b. Fine and coarse aggregate moisture content. Whenever the moisture content of the fine or coarse aggregate changes by more than 0.5%, the scale settings for the aggregate batcher and water batcher shall be adjusted.

c. Slump. The Contractor shall halt production and make appropriate adjustments whenever:

- (1) one point falls outside the Suspension Limit line for individual measurements or range
OR
- (2) two points in a row fall outside the Action Limit line for individual measurements.

d. Air content. The Contractor shall halt production and adjust the amount of air-entraining admixture whenever:

- (1) one point falls outside the Suspension Limit line for individual measurements or range
OR
- (2) two points in a row fall outside the Action Limit line for individual measurements.

Whenever a point falls outside the Action Limits line, the air-entraining admixture dispenser shall be calibrated to ensure that it is operating correctly and with good reproducibility.

METHOD OF MEASUREMENT

501-7.1 Portland cement concrete pavement shall be measured by the number of [cubic yards (cubic meters)][square yards (square meters)] of either plain or reinforced pavement as specified in-place, completed and accepted.

BASIS OF PAYMENT

501-8.1 Payment. Payment for concrete pavement meeting all acceptance criteria as specified in paragraph 501-5.2 Acceptance Criteria shall be based on results of [smoothness,] strength and thickness tests. Payment for acceptable lots of concrete pavement shall be adjusted in accordance with paragraph 501-8.1a for strength and thickness and 501-8.1c for smoothness, subject to the limitation that:

The total project payment for concrete pavement shall not exceed [___] percent of the product of the contract unit price and the total number of [cubic yards (cubic meters)][square yards (square meters)] of concrete pavement used in the accepted work (See Note 1 under the Price Adjustment Schedule table below).

Payment shall be full compensation for all labor, materials, tools, equipment, and incidentals required to complete the work as specified herein and on the drawings.

The Engineer shall specify a value ranging from 100% to 106%. When the total project payment for Item P-501 pavement exceeds the contract unit price, any Airport Improvement Program (AIP) or Passenger Facility Charge (PFC) funds used to pay the excess may require an amendment to the AIP grant or PFC application for the project.

a. Basis of adjusted payment. The pay factor for each individual lot shall be calculated in accordance with the Price Adjustment Schedule table below. A pay factor shall be calculated for both flexural strength and thickness. The lot pay factor shall be the higher of the two values when calculations for both flexural strength and thickness are 100% or higher. The lot pay factor shall be the product of the two values when only one of the calculations for either flexural strength or thickness is 100% or higher. The lot pay factor shall be the lower of the two values when calculations for both flexural strength and thickness are less than 100%.

Price Adjustment Schedule¹

Percentage of Materials Within Specification Limits (PWL)	Lot Pay Factor (Percent of Contract Unit Price)
96 – 100	106
90 – 95	PWL + 10
75 – 90	0.5 PWL + 55
55 – 74	1.4 PWL – 12
Below 55	Reject ²

¹ Although it is theoretically possible to achieve a pay factor of 106% for each lot, actual payment in excess of 100% shall be subject to the total project payment limitation specified in paragraph 501-8.1.

² The lot shall be removed and replaced. However, if the Engineer and the FAA have decided to allow the rejected lot to remain in accordance with Section 50-02 after the Engineer and Contractor agree in writing that the lot shall not be removed, it shall be paid for at 50% of the contract unit price and the total project payment limitation shall be reduced by the amount withheld for the rejected lot.

For each lot accepted, the adjusted contract unit price shall be the product of the lot pay factor for the lot and the contract unit price. Payment shall be subject to the total project payment limitation specified in paragraph 501-8.1. Payment in excess of 100% for accepted lots of concrete pavement shall be used to offset payment for accepted lots of concrete pavement that achieve a lot pay factor less than 100%.

b. Payment. Payment shall be made under:

Item P-501-8.1a Portland Cement Concrete Pavement – [per cubic yard (cubic meter)] [per square yard (square meter)]

c. Basis of adjusted payment for smoothness. Price adjustment for pavement smoothness will apply to the total area of concrete within a section of pavement and shall be applied in accordance the following equation and schedule:

(Square yard in section) × (original unit price per square yard) × PF_m = reduction in payment for area within section

Average Profile Index (Inches Per Mile) Pavement Strength Rating			Contract Unit Price Adjustment (PF_m)
Over 30,000 lb	30,000 lb or Less	Short Sections	
0 - 7	0 - 10	0 - 15	0.00
7.1 - 9	10.1 - 11	15.1 - 16	0.02
9.1 - 11	11.1 - 12	16.1 - 17	0.04
11.1 - 13	12.1 - 13	17.1 - 18	0.06
13.1 - 14	13.1 - 14	18.1 - 20	0.08
14.1 - 15	14.1 - 15	20.1 - 22	0.10
15.1 and up	15.1 and up	22.1 and up	Corrective work required

TESTING REQUIREMENTS

ASTM C31	Standard Practice for Making and Curing Concrete Test Specimens in the Field
ASTM C39	Standard Test Method for Compressive Strength of Cylindrical Concrete Specimens
ASTM C70	Standard Test Method for Surface Moisture in Fine Aggregate
ASTM C78	Standard Test Method for Flexural Strength of Concrete (Using Simple Beam with Third-Point Loading)
ASTM C88	Standard Test Method for Soundness of Aggregates by Use of Sodium Sulfate or Magnesium Sulfate
ASTM C117	Standard Test Method for Materials Finer Than 75- μ m (No. 200) Sieve in Mineral Aggregates by Washing
ASTM C131	Standard Test Method for Resistance to Degradation of Small-Size Coarse Aggregate by Abrasion and Impact in the Los Angeles Machine
ASTM C136	Standard Test Method for Sieve or Screen Analysis of Fine and Coarse Aggregates
ASTM C138	Standard Test Method for Density (Unit Weight), Yield, and Air Content (Gravimetric) of Concrete
ASTM C142	Standard Test Method for Clay Lumps and Friable Particles in Aggregates
ASTM C143	Standard Test Method for Slump of Hydraulic-Cement Concrete
ASTM C172	Standard Practice for Sampling Freshly Mixed Concrete
ASTM C173	Standard Test Method for Air Content of Freshly Mixed Concrete by the Volumetric Method
ASTM C174	Standard Test Method for Measuring Thickness of Concrete Elements Using Drilled Concrete Cores
ASTM C227	Standard Test Method for Potential Alkali Reactivity of Cement-Aggregate Combinations (Mortar-Bar Method)
ASTM C231	Standard Test Method for Air Content of Freshly Mixed Concrete by the Pressure Method
ASTM C289	Standard Test Method for Potential Alkali-Silica Reactivity of Aggregates (Chemical Method)
ASTM C295	Standard Guide for Petrographic Examination of Aggregates for Concrete
ASTM C114	Standard Test Methods for Chemical Analysis of Hydraulic Cement
ASTM C311	Standard Test Methods for Sampling and Testing Fly Ash or Natural Pozzolans for Use in Portland Cement Concrete
ASTM C566	Standard Test Method for Total Evaporable Moisture Content of Aggregates by Drying
ASTM C642	Standard Test Method for Density, Absorption, and Voids in Hardened Concrete
ASTM C666	Standard Test Method for Resistance of Concrete to Rapid Freezing and Thawing

ASTM C1077	Standard Practice for Agencies Testing Concrete and Concrete Aggregates for Use in Construction and Criteria for Testing Agency Evaluation
ASTM C1260	Standard Test Method for Potential Alkali Reactivity of Aggregates (Mortar-Bar Method)
ASTM C1567	Standard Test Method for Determining the Potential Alkali-Silica Reactivity of Combinations of Cementitious Materials and Aggregate (Accelerated Mortar-Bar Method)
ASTM C1602	Standard Specification for Mixing Water Used in the Production of Hydraulic Cement Concrete
ASTM D3665	Standard Practice for Random Sampling of Construction Materials
ASTM D4791	Standard Test Method for Flat Particles, Elongated Particles, or Flat and Elongated Particles in Coarse Aggregate
ASTM E178	Standard Practice for Dealing With Outlying Observations
ASTM E1274	Standard Test Method for Measuring Pavement Roughness Using a Profilograph
U.S. Army Corps of Engineers (USACE) Concrete Research Division (CRD) C662	Determining the Potential Alkali-Silica Reactivity of Combinations of Cementitious Materials, Lithium Nitrate Admixture and Aggregate (Accelerated Mortar-Bar Method)

MATERIAL REQUIREMENTS

ASTM A184	Standard Specification for Welded Deformed Steel Bar Mats for Concrete Reinforcement
ASTM A615	Standard Specification for Deformed and Plain Carbon-Steel Bars for Concrete Reinforcement
ASTM A704	Standard Specification for Welded Steel Plain Bar or Rod Mats for Concrete Reinforcement
ASTM A706	Standard Specification for Low-Alloy Steel Deformed and Plain Bars for Concrete Reinforcement
ASTM A714	Standard Specification for High-Strength Low-Alloy Welded and Seamless Steel Pipe
ASTM A775	Standard Specification for Epoxy-Coated Steel Reinforcing Bars
ASTM A934	Standard Specification for Epoxy-Coated Prefabricated Steel Reinforcing Bars
ASTM A996	Standard Specification for Rail-Steel and Axle-Steel Deformed Bars for Concrete Reinforcement
ASTM A1064	Standard Specification for Carbon-Steel Wire and Welded Wire Reinforcement, Plain and Deformed, for Concrete
ASTM A1078	Standard Specification for Epoxy-Coated Steel Dowels for Concrete Pavement
ASTM C33	Standard Specification for Concrete Aggregates
ASTM C94	Standard Specification for Ready-Mixed Concrete

ASTM C150	Standard Specification for Portland Cement
ASTM C171	Standard Specification for Sheet Materials for Curing Concrete
ASTM C260	Standard Specification for Air-Entraining Admixtures for Concrete
ASTM C309	Standard Specification for Liquid Membrane-Forming Compounds for Curing Concrete
ASTM C494	Standard Specification for Chemical Admixtures for Concrete
ASTM C595	Standard Specification for Blended Hydraulic Cements
ASTM C618	Standard Specification for Coal Fly Ash and Raw or Calcined Natural Pozzolan for Use in Concrete
ASTM C881	Standard Specification for Epoxy-Resin-Base Bonding Systems for Concrete
ASTM C989	Standard Specification for Slag Cement for Use in Concrete and Mortars
ASTM D1751	Standard Specification for Preformed Expansion Joint Filler for Concrete Paving and Structural Construction (Nonextruding and Resilient Bituminous Types)
ASTM D1752	Standard Specification for Preformed Sponge Rubber and Cork and Recycled PVC Expansion Joint Fillers for Concrete Paving And Structural Construction
ACI 211.1	Standard Practice for Selecting Proportions for Normal, Heavyweight, and Mass Concrete
ACI 305R	Guide to Hot Weather Concreting
ACI 306R	Guide to Cold Weather Concreting
ACI 309R	Guide for Consolidation of Concrete
AC 150/5320-6	Airport Pavement Design and Evaluation
PCA	Design and Control of Concrete Mixtures

END ITEM P-501

Intentionally Left Blank

Part 7 – Miscellaneous

Item P-601 Fuel-Resistant Hot Mix Asphalt (HMA) Pavement

DESCRIPTION

601-1.1 This item shall consist of surface courses composed of mineral aggregate, fuel-resistant asphalt binder, and additives mixed in a central mixing plant and placed as a hot mix asphalt pavement in accordance with these specifications and shall conform to the lines, grades, thicknesses, and typical cross-sections shown on the plans. This mix is to be used only as a surface course. The purpose of this fuel-resistant HMA is to provide a fuel-resistant surface where pavements are subjected to fuel spills. The minimum course thickness shall be one inch (25mm) and the maximum course thickness shall not exceed two inches (50 mm).

MATERIALS

601-2.1 Aggregate. Aggregates shall consist of crushed stone, crushed gravel, or crushed slag with or without natural sand or other inert finely divided mineral aggregate. The portion of combined materials retained on the No. 4 (2.36 mm) sieve is coarse aggregate. The portion of combined materials passing the No. 4 (2.36 mm) sieve and retained on the No. 200 (0.075 mm) sieve is fine aggregate, and the portion passing the No. 200 (0.075 mm) sieve is mineral filler.

a. Coarse aggregate. Coarse aggregate shall consist of sound, tough, durable particles, free from adherent films of matter that would prevent thorough coating and bonding with the bituminous material and be free from organic matter and other deleterious substances. The percentage of wear shall not be greater than 40% when tested in accordance with ASTM C131. The sodium sulfate soundness loss shall not exceed 10%, or the magnesium sulfate soundness loss shall not exceed 13%, after five cycles, when tested in accordance with ASTM C88.

Aggregate shall contain at least 70% by weight of individual pieces having two or more fractured faces and 85% by weight having at least one fractured face. The area of each face shall be equal to at least 75% of the smallest midsection area of the piece. When two fractured faces are contiguous, the angle between the planes of fractures shall be at least 30 degrees to count as two fractured faces. Fractured faces shall be achieved by crushing.

The aggregate shall not contain more than a total of 8%, by weight, of flat particles, elongated particles, and flat and elongated particles, when tested in accordance with ASTM D4791 with a value of 5:1.

b. Fine aggregate. Fine aggregate shall consist of clean, sound, durable, angular shaped particles produced by crushing stone, slag, or gravel that meets the requirements for wear and soundness specified for coarse aggregate. The aggregate particles shall be free from coatings of clay, silt, or other objectionable matter and shall contain no clay balls. The fine aggregate, including any blended material for the fine aggregate, shall have a plasticity index of not more than six (6) and a liquid limit of not more than 25 when tested in accordance with ASTM D4318. Natural (non-manufactured) sand may be used to obtain the gradation of the aggregate blend or to improve the workability of the mix. The amount of sand to be added will be adjusted to produce mixtures conforming to requirements of this specification. The fine aggregates shall not contain more than 20% natural sand by weight of total aggregates.

The aggregate shall have sand equivalent values of 35 or greater when tested in accordance with ASTM D2419.

c. Sampling. ASTM D75 shall be used in sampling coarse and fine aggregate, and ASTM C183 shall be used in sampling mineral filler.

601-2.2 Mineral filler. If filler, in addition to that naturally present in the aggregate, is necessary, it shall meet the requirements of ASTM D242.

601-2.3 Asphalt binder. Asphalt binder shall conform to the following requirements of ASTM D6373 for performance grade (PG) 82-22 with the changes annotated below:

- The original asphalt binder shall be tested according to ASTM D6084. Elastic Recovery at 25°C and shall be a minimum of 85%.
- The original asphalt binder shall be tested according to ASTM D7173 and meet the maximum temperature difference of 40°F (4°C) when using the ASTM D36 Ring-and-Ball apparatus.
- The HMA specimens prepared with the PG 82-22 asphalt binder must also meet the fuel resistance requirements in Table 1 when tested in accordance with paragraph 601-3.3. After passing the requirements of Table 1, the grade of the asphalt binder shall be identified as PG 82-22FR.

The Contractor shall furnish vendor's certified test reports for each lot of bituminous material shipped to the project. The vendor's certified test report for the bituminous material can be used for acceptance or tested independently by the Engineer.

601-2.4 Preliminary material acceptance. Prior to delivery of materials to the job site, the Contractor shall submit certified test reports to the Engineer for the following materials:

a. Coarse Aggregate.

- (1) Percent of wear.
- (2) Soundness.
- (3) Unit weight of slag.

b. Fine Aggregate.

- (1) Liquid limit.
- (2) Plasticity index.
- (3) Sand equivalent.

c. Mineral Filler.

d. Bituminous Material. The certification(s) shall show the appropriate ASTM test(s) for each material, the test results, and a statement that the material meets the specification requirement.

The Engineer may request samples for testing, prior to and during production, to verify the quality of the materials and to ensure conformance with the applicable specifications.

COMPOSITION

601-3.1 Composition of mixture. The bituminous plant mix shall be composed of a mixture of well-graded aggregate, filler and anti-strip agent if required, and bituminous material.

The several aggregate fractions shall be sized, handled in separate size groups, and combined in such proportions that the resulting mixture meets the grading requirements of the job mix formula (JMF).

601-3.2 Job mix formula (JMF). No bituminous mixture for payment shall be produced until a job mix formula has been approved in writing by the Engineer. The bituminous mixture shall be designed using procedures contained in the Asphalt Institute MS-2 Mix Design Manual, 7th Edition.

The design criteria in Table 1 are target values necessary to meet the acceptance requirements contained in paragraph 601-5.2b. The criteria are based on a production process which has a material variability with the following standard deviations:

$$\text{Stability (lbs)} = 270$$

$$\text{Air Voids (\%)} = 0.65$$

If material variability exceeds the standard deviations indicated, the job mix formula and subsequent production targets shall be based on stability greater than shown in Table 1, and the air voids shall be targeted close to the mid-range of the criteria in order to meet the acceptance requirements.

Table 1. Marshall Design Criteria

Test Properties	All Aircraft
Number of blows	50
Stability, lbs – minimum	2150
Air Voids (%) ¹	2.5 ±0.2
% voids in mineral aggregate (VMA) – minimum	14
% weight loss by fuel immersion – maximum ²	2.5

¹ If the water absorption of the combined aggregates in the mix exceeds 1.7% (ASTM C127 and ASTM C128) then the mix must be short term aged in accordance with American Association of State Highway and Transportation Officials (AASHTO) PP-2 – Section 7.2. The short term aged material will then be used for the Marshall specimens and the maximum specific gravity test (ASTM D2041).

² Tested in accordance with procedures outlined in paragraph 601-3.3.

The use of hydrated lime or a liquid anti-strip agent may be required for all hot mix asphalt produced for the project. The Contractor shall submit test results indicating the amount of anti-strip agent necessary to have a minimum Tensile Strength Ratio (TSR) value of 80 after five (5) cycles with freeze and thaw tests in accordance with ASTM D4867 or AASHTO T283. The anti-stripping agent will be provided by the Contractor at no additional cost.

The job mix formula shall be submitted in writing by the Contractor to the Engineer at least 14 days prior to the start of paving operations for the test section, paragraph 601-3.5, and shall include as a minimum:

- a. Percent passing each sieve
- b. Percent of asphalt cement.
- c. Asphalt grade.
- d. Number of blows of hammer compaction per side of molded specimen.
- e. Laboratory mixing temperature.
- f. Laboratory Compaction temperature.
- g. Recommended range of temperature for field mixing and compaction.
- h. Plot of the combined gradation on the 0.45 power gradation curve.
- i. Graphical plots of stability, flow, air voids, voids in the mineral aggregate, and unit weight versus asphalt content.

- j.** Percent natural sand.
- k.** Percent fractured faces.
- l.** Percent by weight of flat particles, elongated particles, and flat and elongated particles.
- m.** Tensile Strength Ratio (TSR).
- n.** Anti-strip agent [hydrated lime].
- o.** Date the job mix formula was developed.

The Contractor shall submit to the Engineer the results of verification testing of three (3) asphalt samples prepared at the optimum asphalt content. The average of the results of this testing shall indicate conformance with the job mix formula requirements specified in Tables 1 and 2.

When the project requires asphalt mixtures of differing aggregate gradations, a separate job mix formula and the results of job mix formula verification testing must be submitted for each mix.

The job mix formula for each mixture shall be in effect until a modification is approved in writing by the Engineer. Should a change in sources of materials be made, a new job mix formula must be approved by the Engineer before the new material is used.

The mineral aggregate shall be of such size that the percentage composition by weight, as determined by laboratory screens, will conform to the gradation or gradations specified in Table 2 when tested in accordance with ASTM C136 and ASTM C117.

The gradations in Table 2 represent the limits which shall determine the suitability of aggregate for use from the sources of supply. The aggregate, as selected (and used in the JMF), shall have a gradation within the limits designated in Table 2 and shall not vary from the low limit on one sieve to the high limit on the adjacent sieve, or vice versa, but shall be well graded from coarse to fine.

Deviations from the final approved mix design for bitumen content and gradation of aggregates shall be within the action limits for individual measurements as specified in paragraph 601-6.5a. The limits still will apply if they fall outside the master grading band in Table 2. The maximum size aggregate used shall not be more than one-half of the thickness of the course being constructed.

Table 2. Aggregate Bituminous Pavement

Sieve Size	12.5 mm mix* % passing by weight
1/2 inch (12 mm)	100
3/8 inch (9 mm)	79-99
No. 4 (4.75 mm)	58-78
No. 8 (2.36 mm)	39-59
No. 16 (1.18 mm)	26-46
No. 30 (0.60 mm)	19-35
No. 50 (0.30 mm)	12-24
No. 100 (0.15 mm)	7-17
No. 200 (0.075 mm)	3-6
Asphalt Percent	
Stone or gravel	5.5-8.0
Slag	7.0-10.5

*This mix is to be used only as a surface course. The minimum coarse thickness shall be one inch (25mm) and the maximum coarse thickness shall not exceed 2 inches (50 mm).

The aggregate gradations shown are based on aggregates of uniform specific gravity. The percentages passing the various sieves shall be corrected when aggregates of varying specific gravities are used, as indicated in the Asphalt Institute MS-2 Mix Design Manual, 7th Edition.

601-3.3 Testing requirement for HMA resistance to fuel. Procedures for testing HMA resistance to fuel shall be as follows:

- a. Prepare three test specimens in accordance with the Mix Design requirements at optimum binder content and $2.5 \pm 0.7\%$ air voids.
- b. Determine the percent air voids in each specimen, if any do not meet the requirements above discard and replace them. Dry the specimens under a fan at room temperature 68°F - 80°F (20°C - 27°C) for a minimum of 24 hours.
- c. Totally immerse the sample in kerosene* at room temperature 68°F - 80°F (20°C - 27°C) for 2.0 minutes. (Suspending the sample with metal insect screen in a one gallon (4 liters) paint can has been found to be satisfactory.)
- d. After submersing for 2.0 minutes ± 30 sec, remove the sample and immediately surface dry it with a clean paper towel. Then immediately determine the weight in air to the nearest 0.1 grams. Report this as weight "A" (weight before).
- e. Resubmerge the sample in kerosene for 24 hours.
- f. After 24 hours ± 10 minutes carefully remove the sample from the kerosene and suspension container and place it on an absorptive cloth or paper towel. Dry the specimen under a fan at room temperature for 24 hours.

* Kerosene shall meet the requirements of Federal Specification VV-K-211.

g. After drying for 24 hours \pm 10 minutes weigh the sample in air to the nearest 0.1 grams. Report this as weight "B" (weight after immersion).

h. Calculations:

$$\% \text{ of weight loss by fuel immersion} = (A - B / A) \times 100$$

Where: A = Weight before

B = Weight after

Note: Plant production tolerances for air voids are 2.5% \pm 0.7% and flow requirements for this material are waived.

601-3.4 Recycled asphalt concrete. No reclaimed asphalt pavement (RAP) shall be permitted in this mix.

601-3.5 Test section. Prior to full production, the Contractor shall prepare and place a quantity of bituminous mixture according to the job mix formula. The amount of mixture should be sufficient to construct a test section 300 feet (90 m) long and 30 feet (9 m) wide placed in two lanes, with a longitudinal cold joint, and shall be of the same depth specified for the construction of the course which it represents. A cold joint is an exposed construction joint at least four (4) hours old or whose mat has cooled to less than 160°F (70°C). The underlying grade or pavement structure upon which the test section is to be constructed shall be the same as the remainder of the course represented by the test section. The equipment used in construction of the test section shall be the same type and weight to be used on the remainder of the course represented by the test section.

Three random samples shall be taken at the plant and tested for stability and air voids in accordance with paragraph 601-5.1a(2). Two random samples of mixture shall be taken at the plant and tested for aggregate gradation and asphalt content in accordance with paragraphs 601-6.3a and 3b and evaluated in accordance with paragraphs 601-6.5a and 5b. Three randomly selected cores shall be taken from the finished pavement mat, and three from the longitudinal joint, and tested in accordance with paragraph 601-5.1b(4). Random sampling shall be in accordance with procedures contained in ASTM D3665.

Mat density and air voids shall be evaluated in accordance with paragraph 601-5.2b(1). Stability shall be evaluated in accordance with paragraph 601-5.2b(2). Joint density shall be evaluated in accordance with paragraph 601-5.2b(3).

Voids in the mineral aggregate (VMA), for each plant sample, shall be computed in accordance with procedures contained in Asphalt Institute MS-2 Mix Design Manual, 7th Edition. The test section shall be considered acceptable if (1) stability, mat density, air voids, and joint density are 90% or more within limits, (2) gradation and asphalt content are within the action limits specified in paragraph 601-6.5a, and (3) the voids in the mineral aggregate is in accordance with Table 1, paragraph 601-3.2.

If the initial test section should prove to be unacceptable, the necessary adjustments to the job mix formula, plant operation, placing procedures, and/or rolling procedures shall be made. A second test section shall then be placed. If the second test section also does not meet specification requirements, both sections shall be removed at the Contractor's expense.

Additional test sections, as required, shall be constructed and evaluated for conformance to the specifications. Any additional sections that are not acceptable shall be removed at the Contractor's expense. Full production shall not begin until a satisfactory section has been constructed and accepted by the Engineer. The initial test section, whether acceptable or unacceptable, and any subsequent section that meets specification requirements shall be paid for in accordance with paragraph 601-8.1.

Job mix control testing shall be performed by the Contractor at the start of plant production and in conjunction with the calibration of the plant for the job mix formula. It should be recognized that the

aggregates produced by the plant may not satisfy the gradation requirements or produce a mix that exactly meets the JMF. In those instances, it will be necessary to reevaluate and redesign the mix using plant-produced aggregates. Specimens should be prepared and the optimum bitumen content determined in the same manner as for the original design tests.

Contractor will not be allowed to place the test section until the Contractor Quality Control Program, showing conformance with the requirements of paragraph 601-6.1, has been approved, in writing, by the Engineer.

601-3.6 Job mix formula (JMF) laboratory. The Contractor's laboratory used to develop the job mix formula shall meet the requirements of ASTM D3666. The laboratory accreditation must be current and listed on the accrediting authority's website. All test methods required for developing the JMF must be listed on the lab accreditation. A copy of the laboratory's current accreditation and accredited test methods shall be submitted to the Engineer prior to start of construction.

CONSTRUCTION METHODS

601-4.1 Weather limitations. The bituminous mixture shall not be placed upon a wet surface or when the surface temperature of the underlying course is less than specified in Table 3. The temperature requirements may be waived by the Engineer, if requested; however, all other requirements including compaction shall be met.

Table 3. Base Temperature Limitations

Mat Thickness	Base Temperature (Minimum)	
	Degrees F	Degrees C
Greater than 1 inch (25 mm) but less than 3 inch (75 mm)	45	7
1 inch (25 mm) or less	50	10

601-4.2 Bituminous mixing plant. Plants used for the preparation of bituminous mixtures shall conform to the requirements of ASTM D2995 with the following changes:

a. Requirements for all plants.

(1) Truck scales. The bituminous mixture shall be weighed on approved scales furnished by the Contractor, or on certified public scales at the Contractor's expense. Scales shall be inspected and sealed as often as the Engineer deems necessary to assure their accuracy. Scales shall conform to the requirements of the General Provisions, subsection 90-01.

In lieu of scales, and as approved by the Engineer, asphalt mixture weights may be determined by the use of an electronic weighing system equipped with an automatic printer that weighs the total paving mixture. Contractor must furnish calibration certification of the weighing system prior to mix production and as often thereafter as requested by the Engineer.

(2) Testing facilities. The Contractor shall provide laboratory facilities at the plant for the use of the Engineer's acceptance testing and the Contractor's quality control testing in accordance with paragraph 601-6.2.

(3) Inspection of plant. The Engineer, or Engineer's authorized representative, shall have access, at all times, to all areas of the plant for checking adequacy of equipment; inspecting operation of the plant: verifying weights, proportions, and material properties; and checking the temperatures maintained in the preparation of the mixtures.

(4) Storage bins and surge bins. Use of surge and storage bins for temporary storage of hot bituminous mixtures will be permitted as follows:

(a) The bituminous mixture may be stored in surge bins for a period of time not to exceed three (3) hours.

(b) The bituminous mixture may be stored in insulated storage bins for a period of time not to exceed eight (8) hours.

The bins shall be such that mix drawn from them meets the same requirements as mix loaded directly into trucks.

If the Engineer determines that there is an excessive amount of heat loss, segregation, or oxidation of the mixture due to temporary storage, no temporary storage will be allowed.

601-4.3 Hauling equipment. Trucks used for hauling bituminous mixtures shall have tight, clean, and smooth metal beds. To prevent the mixture from adhering to them, the truck beds shall be lightly coated with a minimum amount of paraffin oil, lime solution, or other approved material. Petroleum products shall not be used for coating truck beds. Each truck shall have a suitable cover to protect the mixture from adverse weather. When necessary, to ensure that the mixture will be delivered to the site at the specified temperature, truck beds shall be insulated or heated and covers shall be securely fastened.

601-4.4 Bituminous pavers. Bituminous pavers shall be self-propelled with an activated heated screed, capable of spreading and finishing courses of bituminous plant mix material that will meet the specified thickness, smoothness, and grade. The paver shall have sufficient power to propel itself and the hauling equipment without adversely affecting the finished surface.

The paver shall have a receiving hopper of sufficient capacity to permit a uniform spreading operation. The hopper shall be equipped with a distribution system to place the mixture uniformly in front of the screed without segregation. The screed shall effectively produce a finished surface of the required evenness and texture without tearing, shoving, or gouging the mixture.

If, during construction, it is found that the spreading and finishing equipment in use leaves tracks or indented areas, or produces other blemishes in the pavement that are not satisfactorily corrected by the scheduled operations, the use of such equipment shall be discontinued and satisfactory equipment shall be provided by the Contractor.

601-4.4.1 Automatic grade controls. The HMA paver shall be equipped with a control system capable of automatically maintaining the specified screed elevation. The control system shall be automatically actuated from either a reference line and/or through a system of mechanical sensors or sensor-directed mechanisms or devices that will maintain the paver screed at a predetermined transverse slope and at the proper elevation to obtain the required surface. The transverse slope controller shall be capable of maintaining the screed at the desired slope within $\pm 0.1\%$.

The controls shall be capable of working in conjunction with any of the following attachments:

- a. Ski-type device of not less than 30 feet (9 m) in length.
- b. Taut stringline (wire) set to grade.
- c. Short ski or shoe.
- d. Laser control.

601-4.5 Rollers. Rollers of the vibratory and/or steel wheel type shall be used. They shall be in good condition, capable of operating at slow speeds to avoid displacement of the bituminous mixture. The number, type, and weight of rollers shall be sufficient to compact the mixture to the required density while it is still in a workable condition.

All rollers shall be specifically designed and suitable for compacting hot mix bituminous concrete and shall be properly used. Rollers that impair the stability of any layer of a pavement structure or underlying soils shall not be used. Depressions in pavement surfaces caused by rollers shall be repaired by the Contractor at their own expense.

The use of equipment that causes crushing of the aggregate will not be permitted.

601-4.6 Preparation of bituminous material. The bituminous material shall be heated in a manner that will avoid local overheating and provide a continuous supply of the bituminous material to the mixer at a uniform temperature. The temperature of the bituminous material delivered to the mixer shall be sufficient to provide a suitable viscosity for adequate coating of the aggregate particles, but shall not exceed 350°F (182°C), unless otherwise required by the manufacturer.

601-4.7 Preparation of mineral aggregate. The aggregate for the mixture shall be heated and dried prior to introduction into the mixer. The maximum temperature and rate of heating shall be such that no damage occurs to the aggregates. The temperature of the aggregate and mineral filler shall not exceed 350°F (175°C) when the asphalt is added. Particular care shall be taken that aggregates high in calcium or magnesium content are not damaged by overheating. The temperature shall not be lower than is required to obtain complete coating and uniform distribution on the aggregate particles and to provide a mixture of satisfactory workability.

601-4.8 Preparation of bituminous mixture. The aggregates and the bituminous material shall be weighed or metered and introduced into the mixer in the amount specified by the job mix formula.

The combined materials shall be mixed until the aggregate obtains a uniform coating of bitumen and is thoroughly distributed throughout the mixture. Wet mixing time shall be the shortest time that will produce a satisfactory mixture, but not less than 25 seconds for batch plants. The wet mixing time for all plants shall be established by the Contractor, based on the procedure for determining the percentage of coated particles described in ASTM D2489, for each individual plant and for each type of aggregate used. The wet mixing time will be set to achieve 95% of coated particles. For continuous mix plants, the minimum mixing time shall be determined by dividing the weight of its contents at operating level by the weight of the mixture delivered per second by the mixer. The moisture content of all bituminous mixtures upon discharge shall not exceed 0.5%.

601-4.9 Preparation of the underlying surface. Immediately before placing the bituminous mixture, the underlying course shall be cleaned of all dust and debris. A prime coat or tack coat shall be applied in accordance with Item P-602 or Item P-603, if required by the contract specifications.

601-4.10 Laydown plan, transporting, placing, and finishing. Prior to the placement of the bituminous mixture, the Contractor shall prepare a laydown plan for approval by the Engineer. This is to minimize the number of cold joints in the pavement. The laydown plan shall include the sequence of paving laydown by stations, width of lanes, temporary ramp location(s), and laydown temperature. The laydown plan shall also include estimated time of completion for each portion of the work (i.e., milling, paving, rolling, cooling, etc.). Modifications to the laydown plan shall be approved by the Engineer.

The bituminous mixture shall be transported from the mixing plant to the site in vehicles conforming to the requirements of paragraph 601-4.3. Deliveries shall be scheduled so that placing and compacting of mixture is uniform with minimum stopping and starting of the paver. Hauling over freshly placed material shall not be permitted until the material has been compacted, as specified, and allowed to cool to atmospheric temperature.

The mix shall be placed and compacted at a temperature suitable for obtaining density, surface smoothness, and other specified requirements but not less than 275°F (135°C). Edges of existing bituminous pavement abutting the new work shall be saw cut and carefully removed as shown on the drawings and painted with bituminous tack coat before new material is placed against it.

Upon arrival, the mixture shall be placed to the full width by a bituminous paver. It shall be struck off in a uniform layer of such depth that, when the work is completed, it shall have the required thickness and conform to the grade and contour indicated. The speed of the paver shall be regulated to eliminate pulling and tearing of the bituminous mat. Unless otherwise permitted, placement of the mixture shall begin along the centerline of a crowned section or on the high side of areas with a one-way slope. The mixture shall be placed in consecutive adjacent strips having a minimum width of 12 feet (3.7 m) except where edge lanes require less width to complete the area. Additional screed sections shall not be attached to widen paver to meet the minimum lane width requirements specified above unless additional auger sections are added to match. The longitudinal joint in one course shall offset the longitudinal joint in the course immediately below by at least one foot (30 cm); however, the joint in the surface top course shall be at the centerline of crowned pavements. Transverse joints in one course shall be offset by at least 10 feet (3 m) from transverse joints in the previous course.

Transverse joints in adjacent lanes shall be offset a minimum of 10 feet (3 m).

On areas where irregularities or unavoidable obstacles make the use of mechanical spreading and finishing equipment impractical, the mixture may be spread and luted by hand tools. Areas of segregation in the surface course, as determined by the Engineer, shall be removed and replaced at the Contractor's expense. The area shall be removed by saw cutting and milling a minimum of 2 inches (50 mm) deep. The area to be removed and replaced shall be a minimum width of the paver and a minimum of 10 feet (3 m) long.

601-4.11 Compaction of mixture. After placing, the mixture shall be thoroughly and uniformly compacted by rolling. The surface shall be compacted as soon as possible when the mixture has attained sufficient stability so that the rolling does not cause undue displacement, cracking or shoving. The sequence of rolling operations and the type of rollers used shall be at the discretion of the Contractor. The speed of the roller shall, at all times, be sufficiently slow to avoid displacement of the hot mixture and be effective in compaction. Any displacement occurring as a result of reversing the direction of the roller, or from any other cause, shall be corrected at once.

Sufficient rollers shall be furnished to handle the output of the plant. Rolling shall continue until the surface is of uniform texture, true to grade and cross-section, and the required field density is obtained.

To prevent adhesion of the mixture to the roller, the wheels shall be equipped with a scraper and kept properly moistened but excessive water will not be permitted.

In areas not accessible to the roller, the mixture shall be thoroughly compacted with approved hand tampers.

Any mixture that becomes loose and broken, mixed with dirt, contains check-cracking, or in any way defective shall be removed and replaced with fresh hot mixture and immediately compacted to conform to the surrounding area. This work shall be done at the Contractor's expense. Skin patching shall not be allowed.

601-4.12 Joints. The formation of all joints shall be made in such a manner as to ensure a continuous bond between the courses and obtain the required density. All joints shall have the same texture as other sections of the course and meet the requirements for smoothness and grade.

The roller shall not pass over the unprotected end of the freshly laid mixture except when necessary to form a transverse joint. When necessary to form a transverse joint, it shall be made by means of placing a bulkhead or by tapering the course. The tapered edge shall be cut back to its full depth and width on a straight line to expose a vertical face prior to placing the adjacent lane. In both methods, all contact surfaces shall be given a tack coat of bituminous material before placing any fresh mixture against the joint.

Longitudinal joints which are irregular, damaged, uncompacted, or otherwise defective [or which have been left exposed for more than four (4) hours, or whose surface temperature has cooled to less than 160°F (70°C)] shall be cut back to expose a clean, sound surface for the full depth of the course. All contact surfaces shall be cleaned and dry and given a tack coat of bituminous material prior to placing any fresh mixture against the joint. The cost of this work and tack coat shall be considered incidental to the cost of the bituminous course.

MATERIAL ACCEPTANCE

601-5.1 Acceptance sampling and testing. Unless otherwise specified, all acceptance sampling and testing necessary to determine conformance with the requirements specified in this section will be performed by the Engineer at no cost to the Contractor except that coring as required in this section shall be completed and paid for by the Contractor. Testing organizations performing these tests shall meet the requirements of ASTM D3666. All equipment in Contractor furnished laboratories shall be calibrated by an independent testing organization prior to the start of operations at the Contractor's expense.

a. Plant-Produced Material. Plant-produced material shall be tested for stability and air voids on a lot basis. Sampling shall be from material deposited into trucks at the plant or from trucks at the job site. Samples shall be taken in accordance with ASTM D979. A standard lot shall be equal to one day's production or 2000 tons (1814 metric tons) whichever is smaller. If the day's production is expected to exceed 2000 tons (1814 metric tons), but less than 4000 tons (3628 metric tons), the lot size shall be 1/2 day's production. If the day's production exceeds 4000 tons (3628 metric tons), the lot size shall be an equal-sized fraction of the day's production but shall not exceed 2000 tons (1814 metric tons).

Where more than one plant is simultaneously producing material for the job, the lot sizes shall apply separately for each plant.

(1) Sampling. Each lot will consist of four equal sublots. Sufficient material for preparation of test specimens for all testing will be sampled by the Engineer on a random basis, in accordance with the procedures contained in ASTM D3665. One set of laboratory compacted specimens will be prepared for each subplot in accordance with ASTM D6926, at the number of blows required by paragraph 601-3.2, Table 1. Each set of laboratory compacted specimens will consist of three test portions prepared from the same sample increment.

The sample of bituminous mixture may be put in a covered metal tin and placed in an oven for not less than 30 minutes or more than 60 minutes to stabilize to compaction temperature. The compaction temperature of the specimens shall be as specified in the job mix formula. When absorptive aggregates are used, the hold times shall be increased to not less than 60 minutes and not more than 90 minutes.

(2) Testing. Sample specimens shall be tested for stability in accordance with ASTM D6927. Air voids will be determined by the Engineer in accordance with ASTM D3203. Prior to testing, the bulk specific gravity of each test specimen shall be measured by the Engineer in accordance with ASTM D2726 using the procedure for laboratory-prepared thoroughly dry specimens, for use in computing plant produced air voids.

For plant produced air voids and percent field-placed pavement density determinations, the theoretical maximum specific gravity of the mixture shall be measured for each lot in accordance with ASTM D2041. The value used in the plant produced air voids and percent field placed pavement density computations for each subplot shall be the average of a minimum of two maximum specific gravity measurements for each lot.

The stability and plant produced air voids for each subplot shall be computed by averaging the results of all test specimens representing that subplot.

(3) Acceptance. Acceptance of plant produced material for stability and air voids shall be determined by the Engineer in accordance with the requirements of paragraph 601-5.2b.

b. Field placed material. Material placed in the field shall be tested for mat and joint density on a lot basis.

(1) Mat density. The lot size shall be the same as that indicated in paragraph 601-5.1a and shall be divided into four equal sublots. One 6-inch (150-mm) diameter core of finished, compacted materials shall be taken by the Contractor from each subplot. Core locations will be determined by the Engineer on a random basis in accordance with procedures contained in ASTM D3665. Cores shall not be taken closer than one foot (30 cm) from a transverse or longitudinal joint.

(2) Joint density. The lot size shall be the total length of longitudinal joints constructed by a lot of material as defined in paragraph 601-5.1a. The lot shall be divided into four equal sublots. One 6-inch (150-mm) diameter core of finished, compacted materials shall be taken by the Contractor from each subplot. Core locations will be determined by the Engineer on a random basis in accordance with procedures contained in ASTM D3665. All coring shall be centered on the joint.

(3) Sampling. Samples shall be neatly cut with a core drill. The cutting edge of the core drill bit shall be of hardened steel or other suitable material with diamond chips embedded in the metal cutting edge. Samples that are clearly defective, as a result of sampling, shall be discarded and another sample taken. The Contractor shall furnish all tools, labor, and materials for cutting samples, cleaning, and filling the cored pavement. Cored pavement shall be cleaned and core holes shall be filled in a manner acceptable to the Engineer and within one day after sampling.

(4) Testing. The bulk specific gravity of each cored sample will be measured by the Engineer in accordance with ASTM D2726. The percent compaction (density) of each sample will be determined by dividing the bulk specific gravity of each subplot sample by the maximum theoretical specific gravity for the lot, as determined in paragraph 601-5.1a(2). The maximum theoretical specific gravity used to determine the joint density at joints formed between different lots shall be the lower of the specific gravity values from the two different lots.

(5) Acceptance. Acceptance of field placed material for mat density will be determined by the Engineer in accordance with the requirements of paragraph 601-5.2b(1). Acceptance for joint density will be determined in accordance with the requirements of paragraph 601-5.2b(3).

c. Partial lots — plant produced material. When operational conditions cause a lot to be terminated before the specified number of tests have been made for the lot, or when the Contractor and Engineer agree in writing to allow overages or other minor tonnage placements to be considered as partial lots, the following procedure will be used to adjust the lot size and the number of tests for the lot.

The last batch produced where production is halted will be sampled, and its properties shall be considered as representative of the particular subplot from which it was taken. Where three sublots are produced, they shall constitute a lot. Where one or two sublots are produced, they shall be incorporated into the next lot and the total number of sublots shall be used in the acceptance plan calculation, i.e., $n = 5$ or $n = 6$, for example.

d. Partial lots — field placed material. The lot size for field placed material shall correspond to that of the plant produced material, except that in no case shall less than three (3) cored samples be obtained, i.e., $n = 3$.

601-5.2 Acceptance criteria.

a. General. Acceptance will be based on the following characteristics of the bituminous mixture and completed pavement as well as the implementation of the Contractor Quality Control Program and test results:

(1) Stability

- (2) Air voids
- (3) Mat density
- (4) Joint density
- (5) Thickness
- (6) Smoothness
- (7) Grade

Mat density and air voids will be evaluated for acceptance in accordance with paragraph 601-5.2b(1). Stability will be evaluated for acceptance in accordance with paragraph 601-5.2b(2). Joint density will be evaluated for acceptance in accordance with paragraph 601-5.2b(3). Thickness will be evaluated by the Engineer for compliance in accordance with paragraph 601-5.2b(4). Acceptance for smoothness will be based on the criteria contained in paragraph 601-5.2b(5). Acceptance for grade will be based on the criteria contained in paragraph 601-5.2b(6).

The Engineer may at any time, notwithstanding previous plant acceptance, reject and require the Contractor to dispose of any batch of bituminous mixture which is rendered unfit for use due to contamination, segregation, incomplete coating of aggregate, or improper mix temperature. Such rejection may be based on only visual inspection or temperature measurements. In the event of such rejection, the Contractor may take a representative sample of the rejected material in the presence of the Engineer and, if it can be demonstrated in the laboratory, in the presence of the Engineer, that such material was erroneously rejected, payment will be made for the material at the contract unit price.

b. Acceptance Criteria.

(1) Mat density and air voids. Acceptance of each lot of plant produced material for mat density and air voids shall be based on the percentage of material within specification limits (PWL). If the PWL of the lot equals or exceeds 90%, the lot shall be acceptable. Acceptance and payment shall be determined in accordance with paragraph 601-8.1.

(2) Stability. Acceptance of each lot of plant produced material for stability shall be based on the PWL. If the PWL of the lot equals or exceeds 90%, the lot shall be acceptable. If the PWL is less than 90%, the Contractor shall determine the reason and take corrective action. If the PWL is below 80%, the Contractor must stop production until the reason for poor stability and/or flow has been determined and adjustments to the mix are made.

(3) Joint density. Acceptance of each lot of plant produced material for joint density shall be based on the PWL. If the PWL of the lot is equal to or exceeds 90%, the lot shall be considered acceptable. If the PWL is less than 90%, the Contractor shall evaluate the reason and act accordingly. If the PWL is less than 80%, the Contractor shall cease operations until the reason for poor compaction has been determined. If the PWL is less than 71%, the pay factor for the lot used to complete the joint shall be reduced by five (5) percentage points. This lot pay factor reduction shall be incorporated and evaluated in accordance with paragraph 601-8.1.

(4) Thickness. Thickness of each lift of surface course shall be evaluated by the Engineer for compliance to the requirements shown on the plans. Measurements of thickness shall be made by the Engineer using the cores extracted for each subplot for density measurement. The maximum allowable deficiency at any point shall not be more than 1/4 inch (6 mm) less than the thickness indicated for the lift. Average thickness of lift, or combined lifts, shall not be less than the indicated thickness. Where the thickness tolerances are not met, the lot or subplot shall be corrected by the Contractor at his expense by removing the deficient area and replacing with new pavement. The Contractor at his expense, may take additional cores as approved by the Engineer to circumscribe the deficient area.

(5) Smoothness. The finished surfaces of the pavement shall not vary more than 1/4 inch (6 mm) for the surface course. Each lot shall be evaluated with a 12-foot (3.7-m) straightedge. The lot size shall

be 2,000 square yards (1700 sq m). Measurements will be made perpendicular and parallel to the centerline at distances not to exceed 50 feet (15 m). When more than 15% of all measurements within a lot exceed the specified tolerance, the Contractor shall remove the deficient area and replace with new material. Sufficient material shall be removed to allow at least one inch (25 mm) of asphalt concrete to be placed. Skin patching shall not be permitted. High points may be ground off.

(6) Grade. The finished surface of the pavement shall not vary from the gradeline elevations and cross-sections shown on the plans by more than 1/2 inch (12 mm). The finished grade of each lot will be determined by running levels at intervals of 50 feet (15 m) or less longitudinally and transversely to determine the elevation of the completed pavement. The lot size shall be 2,000 square yards (1700 sq m). When more than 15% of all the measurements within a lot are outside the specified tolerance, the Contractor shall remove the deficient area and replace with new material. Sufficient material shall be removed to allow at least one inch (25 mm) of asphalt concrete to be placed. Skin patching for correcting low areas shall not be permitted. High points may be ground off.

c. Percentage of material within specification limits (PWL). The PWL shall be determined in accordance with procedures specified in Section 110 of the General Provisions. The specification tolerance limits (L) for lower and (U) for upper are contained in Table 5.

Table 5. Marshall acceptance limits for stability, air voids, density

Test Property	Pavements designed for aircraft gross weights of 60,000 lbs (27216 kg) or more or tire pressures of 100 psi or more	
	L	U
Number of blows	50	
	Specification tolerance limits	
	L	U
Stability, minimum, lbs	2150	-
Air voids total mix, %	1.5	3.5
Surface course mat density, %	96.0	98.0
Joint density, %	92.0	-

d. Outliers. All individual tests for mat density and air voids shall be checked for outliers (test criterion) in accordance with ASTM E178, at a significance level of 5%. Outliers shall be discarded, and the PWL shall be determined using the remaining test values.

601-5.3 Resampling pavement for mat density.

a. General. Resampling of a lot of pavement will only be allowed for mat density, and then, only if the Contractor requests same, in writing, within 48 hours after receiving the written test results from the Engineer. A retest will consist of all the sampling and testing procedures contained in paragraphs 601-5.1b and 601-5.2b(1). Only one resampling per lot will be permitted.

(1) A redefined PWL shall be calculated for the resampled lot. The number of tests used to calculate the redefined PWL shall include the initial tests made for that lot plus the retests.

(2) The cost for resampling and retesting shall be borne by the Contractor.

b. Payment for resampled lots. The redefined PWL for a resampled lot shall be used to calculate the payment for that lot in accordance with Table 5.

c. Outliers. Check for outliers in accordance with ASTM E178, at a significance level of 5%.

601-5.4 Leveling course. Any course used for truing and leveling shall meet the requirements of paragraph 601-3.2, 601-5.2b(1) for air voids and 601-5.2b(2), but shall not be subject to the density

requirements of paragraph 601-5.2b(1) for mat density and 601-5.2b(3) for joint density. The leveling course shall be compacted with the same effort used to achieve density of the test section. The truing and leveling course shall not exceed a nominal thickness of 1-1/2 inches (38 mm). The leveling course is the first variable thickness lift of an overlay placed prior to subsequent courses. Areas of the pavement requiring a leveling course shall be as annotated on the plans.

CONTRACTOR QUALITY CONTROL

601-6.1 General. The Contractor shall develop a Quality Control Program in accordance with Section 100 of the General Provisions. The program shall address all elements that affect the quality of the pavement including, but not limited to:

- a. Mix design
- b. Aggregate grading
- c. Quality of materials
- d. Stockpile management
- e. Proportioning
- f. Mixing and transportation
- g. Placing and finishing
- h. Joints
- i. Compaction
- j. Surface smoothness
- k. Personnel
- l. Laydown plan

The Contractor shall perform quality control sampling, testing, and inspection during all phases of the work and shall perform them at a rate sufficient to ensure that the work conforms to the contract requirements, and at minimum test frequencies required by paragraph 601-6.3 and Section 100, General Provisions. As a part of the process for approving the Contractor's plan, the Engineer may require the Contractor's technician to perform testing of samples to demonstrate an acceptable level of performance.

No partial payment will be made for materials that are subject to specific quality control requirements without an approved plan.

601-6.2 Testing laboratory. The Contractor shall provide a fully equipped asphalt laboratory located at the plant or job site. It shall be available for joint use by the Contractor for quality control testing and by the Engineer for acceptance testing and must have adequate equipment for the performance of the tests required by these specifications. The Engineer shall have priority in use of the equipment necessary for acceptance testing.

The effective working area of the laboratory shall be a minimum of 150 square feet (14 sq m) with a ceiling height of not less than 7.5 feet (2.3 meters). Lighting shall be adequate to illuminate all working areas. It shall be equipped with heating and air conditioning units to maintain a temperature of 70°F ±5°F (21°C ±2.3°C).

Laboratory facilities shall be kept clean and all equipment shall be maintained in proper working condition. The Engineer shall be permitted unrestricted access to inspect the Contractor's laboratory facility and witness quality control activities. The Engineer will advise the Contractor in writing of any

noted deficiencies concerning the laboratory facility, equipment, supplies, or testing personnel and procedures. When the deficiencies are serious enough to be adversely affecting test results, the incorporation of the materials into the work shall be suspended immediately and will not be permitted to resume until the deficiencies are satisfactorily corrected.

601-6.3 Quality control testing. The Contractor shall perform all quality control tests necessary to control the production and construction processes applicable to these specifications and as set forth in the approved Quality Control Program. The testing program shall include, but not necessarily be limited to, tests for the control of asphalt content, aggregate gradation, temperatures, aggregate moisture, field compaction, and surface smoothness. A Quality Control Testing Plan shall be developed as part of the Quality Control Program.

a. Asphalt content. A minimum of two tests shall be performed per lot in accordance with ASTM D6307 or ASTM D2172 for determination of asphalt content. The weight of ash portion of the test, as described in ASTM D2172, shall be determined as part of the first test performed at the beginning of plant production; and as part of every tenth test performed thereafter, for the duration of plant production. The last weight of ash value obtained shall be used in the calculation of the asphalt content for the mixture. The asphalt content for the lot will be determined by averaging the test results.

The use of the nuclear method for determining asphalt content in accordance with ASTM D4125 is permitted, provided that it is calibrated for the specific mix being used.

b. Gradation. Aggregate gradations shall be determined a minimum of twice per lot from mechanical analysis of extracted aggregate in accordance with ASTM D5444 and ASTM C136 (Dry Sieve). When asphalt content is determined by the nuclear method, aggregate gradation shall be determined from hot bin samples on batch plants, or from the cold feed on drum mix or continuous mix plants, and tested in accordance with ASTM C136 (dry sieve) using actual batch weights to determine the combined aggregate gradation of the mixture.

c. Moisture content of aggregate. The moisture content of aggregate used for production shall be determined a minimum of once per lot in accordance with ASTM C566.

d. Moisture content of mixture. The moisture content of the mixture shall be determined once per lot in accordance with ASTM D1461.

e. Temperatures. Temperatures shall be checked, at least four times per lot, at necessary locations to determine the temperatures of the dryer, the bitumen in the storage tank, the mixture at the plant, and the mixture at the job site.

f. In-place density monitoring. The Contractor shall conduct any necessary testing to ensure that the specified density is being achieved. A nuclear gauge may be used to monitor the pavement density in accordance with ASTM D2950.

g. Additional testing. Any additional testing that the Contractor deems necessary to control the process may be performed at the Contractor's option.

h. Monitoring. The Engineer reserves the right to monitor any or all of the above testing.

601-6.4 Sampling. When directed by the Engineer, the Contractor shall sample and test any material that appears inconsistent with similar material being sampled, unless such material is voluntarily removed and replaced or deficiencies corrected by the Contractor. All sampling shall be in accordance with standard procedures specified.

601-6.5 Control charts. The Contractor shall maintain linear control charts both for individual measurements and range (i.e., difference between highest and lowest measurements) for aggregate gradation and asphalt content.

Control charts shall be posted in a location satisfactory to the Engineer and shall be kept current. As a minimum, the control charts shall identify the project number, the contract item number, the test number, each test parameter, the Action and Suspension Limits applicable to each test parameter, and the Contractor's test results. The Contractor shall use the control charts as part of a process control system for identifying potential problems and assignable causes before they occur. If the Contractor's projected data during production indicates a problem and the Contractor is not taking satisfactory corrective action, the Engineer may suspend production or acceptance of the material.

a. Individual measurements. Control charts for individual measurements shall be established to maintain process control within tolerance for aggregate gradation and asphalt content. The control charts shall use the job mix formula target values as indicators of central tendency for the following test parameters with associated Action and Suspension Limits:

Control chart limits for individual measurements (based on n=2)		
Sieve	Action limit	Suspension limit
3/4 inch (19 mm)	0%	0%
1/2 inch (12 mm)	±6%	±9%
3/8 inch (9 mm)	±6%	±9%
No. 4 (4.75 mm)	±6%	±9%
No. 16 (1.18 mm)	±5%	±7.5%
No. 50 (0.30 mm)	±3%	±4.5%
No. 200 (0.075 mm)	±2%	±3%
Asphalt Content	±0.45%	±0.70%

b. Range. Control charts for range shall be established to control process variability for the test parameters and Suspension Limits listed below. The range shall be computed for each lot as the difference between the two test results for each control parameter. The Suspension Limits specified below are based on a sample size of $n = 2$. Should the Contractor elect to perform more than two tests per lot, the Suspension Limits shall be adjusted by multiplying the Suspension Limit by 1.18 for $n = 3$ and by 1.27 for $n = 4$.

Control chart limits based on range (based on n=2)	
Sieve	Suspension Limit
1/2 inch (12 mm)	11%
3/8 inch (9 mm)	11%
No. 4 (4.75 mm)	11%
No. 16 (1.18 mm)	9%
No. 50 (0.30 mm)	6%
No. 200 (0.075 mm)	3.5%
Asphalt content %	0.8%

c. Corrective action. The Contractor Quality Control Program shall indicate that appropriate action shall be taken when the process is believed to be out of tolerance. The Plan shall contain sets of rules to gauge when a process is out of control and detail what action will be taken to bring the process into

control. As a minimum, a process shall be deemed out of control and production stopped and corrective action taken, if:

- (1) one point falls outside the Suspension Limit line for individual measurements or range; or
- (2) two points in a row fall outside the Action Limit line for individual measurements.

601-6.6 Quality control reports. The Contractor shall maintain records and shall submit reports of quality control activities daily, in accordance with the Contractor Quality Control Program described in General Provisions, Section 100.

METHOD OF MEASUREMENT

601-7.1 Measurement. Plant mix bituminous concrete pavement shall be measured by the number of tons (kg) of bituminous mixture used in the accepted work. Recorded batch weights or truck scale weights will be used to determine the basis for the tonnage.

BASIS OF PAYMENT

601-8.1 Payment. Payment for an accepted lot of bituminous concrete pavement shall be made at the contract unit price per ton for the P-601 Fuel-Resistant Bituminous Surface Course and adjusted according to paragraph 601-8.1a. The total project payment for plant mix bituminous concrete pavement shall not exceed 100% of the product of the contract unit price and the total number of tons of bituminous surface mixture used in the accepted work. This price shall be full compensation for furnishing all materials, for all preparation, mixing, and placing of these materials, and for all labor, equipment, tools, and incidentals necessary to complete the items.

a. Basis of adjusted payment. The pay factor for each individual lot shall be calculated in accordance with Table 5. A pay factor shall be calculated for both mat density and air voids. The lot pay factor shall be the higher of the two values when calculations for both mat density and air voids are 100% or higher. The lot pay factor shall be the product of the two values when only one of the calculations for either mat density or air voids is 100% or higher. The lot pay factor shall be the lower of the two values when calculations for both mat density and air voids are less than 100%.

Table 5. Price adjustment schedule

Percentage of material within the specification limit (PWL)	Percent of Contract Unit Price to be Paid
96-100	106 ¹
90-95	PWL + 10
75-89 0.5	PWL + 55.0
55-74 1.4	PWL - 12.0
Below 55	Reject ²

¹ Although it is theoretically possible to achieve a pay factor of 106% for each lot, actual payment above 100% shall be subject to the total payment limitation specified in paragraph 601-8.1, and the total project payment limitation shall be reduced by the amount withheld for the rejected lot.

² The lot shall be removed and replaced. However, the Engineer and Owner may decide to accept the deficient lot. In that case, if the Engineer and Owner decide that the lot shall not be removed, it will be paid for at 50% of the contract price.

For each lot accepted, the adjusted contract unit price shall be the product of the lot pay factor for the lot and the contract unit price. Payment shall be subject to the total project payment limitation specified in

paragraph 601-8.1. Payment in excess of 100% for accepted lots of bituminous concrete pavement shall be used to offset payment for accepted lots of bituminous concrete pavement that achieve a lot factor less than 100%.

b. Payment. Payment will be made under:

Item P-601-8.1 Fuel-Resistant Bituminous Surface Course -- per ton.

TESTING REQUIREMENTS

ASTM C29	Standard Test Method for Bulk Density (“Unit Weight”) and Voids in Aggregate
ASTM C88	Standard Test Method for Soundness of Aggregates by Use of Sodium Sulfate or Magnesium Sulfate
ASTM C117	Standard Test Method for Materials Finer than 75- μ m (No.200) Sieve in Mineral Aggregates by Washing
ASTM C127	Standard Test Method for Density, Relative Density (Specific Gravity) and Absorption of Coarse Aggregate
ASTM C128	Standard Test Method for Density, Relative Density (Specific Gravity), and Absorption of Fine Aggregate
ASTM C131	Standard Test Method for Resistance to Degradation of Small-Size Coarse Aggregate by Abrasion and Impact in the Los Angeles Machine
ASTM C136	Standard Test Method for Sieve or Screen Analysis of Fine and Coarse Aggregates
ASTM C183	Standard Practice for Sampling and the Amount of Testing of Hydraulic Cement
ASTM C566	Standard Test Method for Total Evaporable Moisture Content of Aggregate by Drying
ASTM D36	Standard Test Method for Softening Point of Bitumen (Ring-and-Ball Apparatus)
ASTM D75	Standard Practice for Sampling Aggregates
ASTM D979	Standard Practice for Sampling Bituminous Paving Mixtures
ASTM D1073	Standard Specification for Fine Aggregate for Bituminous Paving Mixtures
ASTM D1461	Standard Test Method for Moisture or Volatile Distillates in Bituminous Paving Mixtures
ASTM D2041	Standard Test Method for Theoretical Maximum Specific Gravity and Density of Bituminous Paving Mixtures
ASTM D2172	Standard Test Method for Quantitative Extraction of Bitumen from Bituminous Paving Mixtures
ASTM D2419	Standard Test Method for Sand Equivalent Value of Soils and Fine Aggregate
ASTM D2489	Standard Practice for Estimating Degree of Particle Coating of Bituminous-Aggregate Mixtures
ASTM D2726	Standard Test Method for Bulk Specific Gravity and Density of Non-Absorptive Compacted Bituminous Mixtures

ASTM D2950	Standard Test Method for Density of Bituminous Concrete in Place by Nuclear Methods
ASTM D3203	Standard Test Method for Percent Air Voids in Compacted Dense and Open Bituminous Paving Mixtures
ASTM D3665	Standard Practice for Random Sampling of Construction Materials
ASTM D3666	Standard Specification for Minimum Requirements for Agencies Testing and Inspecting Road and Paving Materials
ASTM D4125	Standard Test Methods for Asphalt Content of Bituminous Mixtures by the Nuclear Method
ASTM D4318	Standard Test Method for Liquid Limit, Plastic Limit, and Plasticity Index of Soils
ASTM D4791	Standard Test Method for Flat Particles, Elongated Particles, or Flat and Elongated Particles in Coarse Aggregate
ASTM D4867	Standard Test Method for Effect of Moisture on Asphalt Concrete Paving Mixtures
ASTM D5444	Standard Test Method for Mechanical Size Analysis of Extracted Aggregate
ASTM D6084	Standard Test Method for Elastic Recovery of Bituminous Materials by Ductilometer
ASTM D6926	Standard Practice for Preparation of Bituminous Specimens Using Marshall Apparatus
ASTM D6927	Standard Test Method for Marshall Stability and Flow of Bituminous Mixtures
ASTM D6307	Standard Test Method for Asphalt Content of Hot-Mix Asphalt by Ignition Method
ASTM D7173	Standard Practice for Determining the Separation Tendency of Polymer from Polymer Modified Asphalt
ASTM E11	Standard Specification for Woven Wire Test Sieve Cloth and Test Sieves
ASTM E178	Standard Practice for Dealing with Outlying Observations
ASTM E1274	Standard Test Method for Measuring Pavement Roughness Using a Profilograph
AASHTO T030	Standard Method of Test for Mechanical Analysis of Extracted Aggregate
AASHTO T110	Standard Method of Test for Moisture or Volatile Distillates in Hot Mix Asphalt (HMA)
AASHTO T283	Standard Method of Test for Resistance of Compacted Hot Mix Asphalt (HMA) to Moisture-Induced Damage
Asphalt Institute MS-2	Mix Design Manual, 7th Edition

MATERIAL REQUIREMENTS

ASTM D242	Standard Specification for Mineral Filler for Bituminous Paving Mixtures
ASTM D946	Standard Specification for Penetration Graded Asphalt Cement for Use in Pavement Construction

ASTM D2995	Standard Practice for Estimating Application Rate of Bituminous Distributors
ASTM D3381	Standard Specification for Viscosity-Graded Asphalt Cement for Use in Pavement Construction
ASTM D4552	Standard Practice for Classifying Hot-Mix Recycling Agents
ASTM D6373	Standard Specification for Performance Graded Asphalt Binder
AASHTO M320	Standard Specification for Performance-Graded Asphalt Binder
FED SPEC VV-K-211	Kerosene

END OF ITEM P-601

Intentionally Left Blank

Item P-602 Bituminous Prime Coat

DESCRIPTION

602-1.1 This item shall consist of an application of bituminous material on the prepared base course in accordance with these specifications and in reasonably close conformity to the lines shown on the plans.

MATERIALS

602-2.1 Bituminous material. The bituminous material shall be an emulsified asphalt indicated in ASTM D3628 as a bituminous application for prime coat appropriate to local conditions or as designated by the Engineer.

CONSTRUCTION METHODS

602-3.1 Weather limitations. The prime coat shall be applied only when the existing surface is dry; the atmospheric temperature is 50°F (10°C) or above, and the temperature has not been below 35°F (2°C) for the 12 hours prior to application; and when the weather is not foggy or rainy. The temperature requirements may be waived when directed by the Engineer.

602-3.2 Equipment. The equipment shall include a self-powered pressure bituminous material distributor and equipment for heating bituminous material.

Provide a distributor with pneumatic tires of such size and number that the load produced on the base surface does not exceed 65.0 psi (4.5 kg/sq cm) of tire width to prevent rutting, shoving or otherwise damaging the base, surface or other layers in the pavement structure. Design and equip the distributor to spray the bituminous material in a uniform coverage at the specified temperature, at readily determined and controlled rates from 0.05 to 2.0 gallons per square yard (0.23 to 9.05 L/square meter), with a pressure range of 25 to 75 psi (172.4 to 517.1 kPa) and with an allowable variation from the specified rate of not more than ±5%, and at variable widths. Include with the distributor equipment a separate power unit for the bitumen pump, full-circulation spray bars, tachometer, pressure gauges, volume-measuring devices, adequate heaters for heating of materials to the proper application temperature, a thermometer for reading the temperature of tank contents, and a hand hose attachment suitable for applying bituminous material manually to areas inaccessible to the distributor. Equip the distributor to circulate and agitate the bituminous material during the heating process. If the distributor is not equipped with an operable quick shutoff valve, the prime operations shall be started and stopped on building paper. The Contractor shall remove blotting sand prior to asphalt concrete lay down operations at no additional expense to the Owner.

A power broom and power blower suitable for cleaning the surfaces to which the bituminous coat is to be applied shall be provided.

602-3.3 Application of bituminous material. Immediately before applying the prime coat, the full width of the surface to be primed shall be swept with a power broom to remove all loose dirt and other objectionable material.

The bituminous material shall be uniformly applied with a bituminous distributor at the rate of 0.15 to 0.30 gallons per square yard (0.68 to 1.36 liters per square meter) depending on the base course surface

texture. The type of bituminous material and application rate shall be approved by the Engineer prior to application.

Following application of the bituminous material and prior to application of the succeeding layer of pavement, allow the bituminous coat to cure and to obtain evaporation of any volatiles or moisture. Maintain the coated surface until the succeeding layer of pavement is placed, by protecting the surface against damage and by repairing and recoating deficient areas. Allow the prime coat to cure without being disturbed for a period of at least 48 hours or longer, as may be necessary to attain penetration into the treated course. Furnish and spread enough sand to effectively blot up and cure excess bituminous material. Keep traffic off surfaces freshly treated with bituminous material. Provide sufficient warning signs and barricades so that traffic will not travel over freshly treated surfaces.

602-3.4 Trial applications. Before providing the complete bituminous coat, the Contractor shall apply three lengths of at least 100 feet (30 m) for the full width of the distributor bar to evaluate the amount of bituminous material that can be satisfactorily applied with the equipment. Apply three different trial application rates of bituminous materials within the application range specified in paragraph 602-3.3. Other trial applications will be made using various amounts of material as deemed necessary by the Engineer.

602-3.5 Bituminous material Contractor's responsibility. The Contractor shall provide a statement of source and character of the proposed bituminous material which must be submitted to and approved by the Engineer before any shipment of bituminous materials to the project. The Contractor shall furnish vendor's certified test reports for each carload, or equivalent, of bituminous material shipped to the project. The test reports shall be provided to and approved by the Engineer before the bituminous material is applied. If the bituminous material does not meet the specifications, it shall be replaced at the Contractor's expense. Furnishing the vendor's certified test report for the bituminous material shall not be interpreted as basis for final acceptance.

602-3.6 Freight and weigh bills. The Contractor shall submit waybills and delivery tickets during the progress of the work. Before the final estimate is allowed, file with the Engineer certified waybills and certified delivery tickets for all bituminous materials used in the construction of the pavement covered by the contract. Do not remove bituminous material from storage until the initial outage and temperature measurements have been taken. The delivery or storage units will not be released until the final outage has been taken.

METHOD OF MEASUREMENT

602-4.1 The bituminous material for prime coat shall be measured by the [gallon (liter)] [ton (kg)]. Volume shall be corrected to the volume at 60°F (16°C) in accordance with ASTM D1250. The bituminous material paid for will be the measured quantities used in the accepted work, provided that the measured quantities are not 10% over the specified application rate. Any amount of bituminous material more than 10% over the specified application rate for each application will be deducted from the measured quantities, except for irregular areas where hand spraying of the bituminous material is necessary. Water added to emulsified asphalt will not be measured for payment.

BASIS OF PAYMENT

602-5.1 Payment shall be made at the contract unit price per [gallon (liter)] [ton (kg)] for bituminous prime coat. This price shall be full compensation for furnishing all materials and for all preparation, delivering, and applying the materials, and for all labor, equipment, tools, and incidentals necessary to complete this item.

Payment will be made under:

Item P-602-5.1 Bituminous Prime Coat - per [gallon (liter)][ton (kg)]

TESTING REQUIREMENTS

ASTM D1250 Standard Guide for Use of the Petroleum Measurement Tables

MATERIAL REQUIREMENTS

ASTM D977 Standard Specification for Emulsified Asphalt

ASTM D2028 Standard Specification for Cutback Asphalt (Rapid-Curing Type)

ASTM D2397 Standard Specification for Cationic Emulsified Asphalt

ASTM D3628 Standard Practice for Selection and Use of Emulsified Asphalts

END OF ITEM P-602

Intentionally Left Blank

Item P-603 Bituminous Tack Coat

DESCRIPTION

603-1.1 This item shall consist of preparing and treating a bituminous or concrete surface with bituminous material in accordance with these specifications and in reasonably close conformity to the lines shown on the plans.

MATERIALS

603-2.1 Bituminous materials. The bituminous material shall be an emulsified asphalt indicated in ASTM D3628 as a bituminous application for tack coat appropriate to local conditions or as designated by the Engineer.

CONSTRUCTION METHODS

603-3.1 Weather limitations. The tack coat shall be applied only when the existing surface is dry and the atmospheric temperature is 50°F (10°C) or above; the temperature has not been below 35°F (2°C) for the 12 hours prior to application; and when the weather is not foggy or rainy. The temperature requirements may be waived when directed by the Engineer.

603-3.2 Equipment. The Contractor shall provide equipment for heating and applying the bituminous material.

Provide a distributor with pneumatic tires of such size and number that the load produced on the base surface does not exceed 65.0 psi (4.5 kg/sq cm) of tire width to prevent rutting, shoving or otherwise damaging the base, surface or other layers in the pavement structure. Design and equip the distributor to spray the bituminous material in a uniform coverage at the specified temperature, at readily determined and controlled rates from 0.05 to 2.0 gallons per square yard (0.23 to 9.05 L/square meter), with a pressure range of 25 to 75 psi (172.4 to 517.1 kPa) and with an allowable variation from the specified rate of not more than ±5%, and at variable widths. Include with the distributor equipment a separate power unit for the bitumen pump, full-circulation spray bars, tachometer, pressure gauges, volume-measuring devices, adequate heaters for heating of materials to the proper application temperature, a thermometer for reading the temperature of tank contents, and a hand hose attachment suitable for applying bituminous material manually to areas inaccessible to the distributor. Equip the distributor to circulate and agitate the bituminous material during the heating process. If the distributor is not equipped with an operable quick shutoff valve, the tack operations shall be started and stopped on building paper. The Contractor shall remove blotting sand prior to asphalt concrete lay down operations at no additional expense to the Owner.

A power broom and/or power blower suitable for cleaning the surfaces to which the bituminous tack coat is to be applied shall be provided.

603-3.3 Application of bituminous material. Immediately before applying the tack coat, the full width of surface to be treated shall be swept with a power broom and/or power blower to remove all loose dirt and other objectionable material.

Emulsified asphalt shall be diluted by the addition of water when directed by the Engineer and shall be applied a sufficient time in advance of the paver to ensure that all water has evaporated before the overlying mixture is placed on the tacked surface.

The bituminous material including vehicle shall be uniformly applied with a bituminous distributor at the rate of 0.05 to 0.10 gallons per square yard (0.20 to 0.50 liters per square meter) depending on the condition of the existing surface. The type of bituminous material and application rate shall be approved by the Engineer prior to application.

After application of the tack coat, the surface shall be allowed to cure without being disturbed for the period of time necessary to permit drying and setting of the tack coat. This period shall be determined by the Engineer. The Contractor shall protect the tack coat and maintain the surface until the next course has been placed.

603-3.4 Bituminous material Contractor's responsibility. The Contractor shall provide a statement of source and character of the proposed bituminous material which must be submitted and approved by the Engineer before any shipment of bituminous materials to the project.

The Contractor shall furnish the vendor's certified test reports for each carload, or equivalent, of bituminous material shipped to the project. The tests reports shall be provided to and approved by the Engineer before the bituminous material is applied. If the bituminous material does not meet the specifications, it shall be replaced at the Contractor's expense. Furnishing the vendor's certified test report for the bituminous material shall not be interpreted as a basis for final acceptance.

603-3.5 Freight and weigh bills The Contractor shall submit waybills and delivery tickets, during progress of the work. Before the final statement is allowed, file with the Engineer certified waybills and certified delivery tickets for all bituminous materials used in the construction of the pavement covered by the contract. Do not remove bituminous material from storage until the initial outage and temperature measurements have been taken. The delivery or storage units will not be released until the final outage has been taken.

METHOD OF MEASUREMENT

603-4.1 The bituminous material for tack coat shall be measured by the [gallon (liter)][ton (kg)]. Volume shall be corrected to the volume at 60°F (16°C) in accordance with ASTM D1250. The bituminous material paid for will be the measured quantities used in the accepted work, provided that the measured quantities are not 10% over the specified application rate. Any amount of bituminous material more than 10% over the specified application rate for each application will be deducted from the measured quantities, except for irregular areas where hand spraying of the bituminous material is necessary. Water added to emulsified asphalt will not be measured for payment.

BASIS OF PAYMENT

603.5-1 Payment shall be made at the contract unit price per [gallon (liter)][ton (kg)] of bituminous material. This price shall be full compensation for furnishing all materials, for all preparation, delivery, and application of these materials, and for all labor, equipment, tools, and incidentals necessary to complete the item.

Payment will be made under:

Item P-603-5.1 Bituminous Tack Coat - per [gallon (liter)][ton (kg)]

MATERIAL REQUIREMENTS

ASTM D633	Standard Volume Correction Table for Road Tar
ASTM D977	Standard Specification for Emulsified Asphalt
ASTM D1250	Standard Guide for Use of the Petroleum Measurement Tables
ASTM D2028	Standard Specification for Cutback Asphalt (Rapid-Curing Type)
ASTM D2397	Standard Specification for Cationic Emulsified Asphalt
ASTM D3628	Standard Practice for Selection and Use of Emulsified Asphalts

END ITEM P-603

Intentionally Left Blank

Item P-604 Compression Joint Seals for Concrete Pavements

DESCRIPTION

The following is an optional specification that can be used for long performance joint seals in concrete pavements.

604-1.1 This item shall consist of preformed polychloroprene compression seals used for sealing joints of rigid pavements.

MATERIALS

604-2.1 Compression seals. Compression joint seal materials shall be a vulcanized elastomeric compound using polychloroprene as the only base polymer. The material and the manufactured seal shall conform to [ASTM D2628] [ASTM D2628 and Corps of Engineers Concrete Research Division (CRD) C548 where jet fuel and/or heat blast resistance is required]. The joint seal shall be a labyrinth type seal. The uncompressed depth of the face of the compression seal (that is to be bonded to the joint wall) shall be greater than the uncompressed width of the seal, except that for seals one inch (25 mm) or greater in width, the depth need be only one inch (25 mm) or greater. The actual width of the uncompressed seal for construction and contraction joints shall be [13/16 or one] [] inches [21 or 25] [] mm and for expansion joints shall be 1.25 inches (32 mm). The tolerance on the seal shall be plus 1/8 inch or minus 1/16 inch [plus 3 mm or minus 2 mm].

In paragraph 604-2.1, the actual width of the joint seal should be 13/16 inch (21 mm) or one inch (25 mm) at the option of the Contractor. However, for unusual circumstances or for resealing joints in existing pavement that have to be sawed out to an extra width a wider seal should be specified. One inch (25 mm) should be used for slab greater than 20 feet (6 m) and less than 25 feet (7.5 m).

604-2.2 Lubricant/adhesive. Lubricant/adhesive used for the compression elastomeric joint seal shall be a one-component compound conforming to ASTM D2835.

604-2.3 Delivery and storage. Materials delivered to the job site shall be inspected for defects, unloaded, and stored with a minimum of handling to avoid damage. Storage facilities shall be provided at the job site to protect materials from weather and maintain materials at temperatures recommended by the manufacturer.

604-2.4 Submittals. Certified copies of test results shall be provided 60 days prior to use of material on the project.

a. Construction equipment list. List of proposed equipment to be used in the performance of construction work, including descriptive data shall be provided to the Engineer 60 days prior to use on the project.

b. Manufacturer's instructions. Where installation procedures are required in accordance with the manufacturer's recommendations, printed copies of these recommendations shall be submitted to the Engineer 60 days prior to use on the project. Installation of the material shall not be allowed until the recommendations are received.

c. Test reports. The Contractor shall submit certified copies of the test reports to the Engineer for written approval 60 days prior to use on the project. Printed directions from the manufacturer on recommended installation criteria shall be furnished with the test reports, plus the manufacturer's certification that the selected seal is recommend for the installation on this project. No material will be used until it has been approved by the Engineer.

604-2.5 Test requirements. Each lot of compression joint seal and lubricant/adhesive shall be sampled, identified, and tested for conformance with the applicable material specification. A lot of preformed seal shall consist of one day's production or 20,000 linear feet (6000 meters) for each cross-section, whichever is less. A lot of lubricant/adhesive shall consist of one day's production. No material shall be used at the project prior to receipt of written notice that the materials meet the laboratory requirements.

Testing of the preformed joint and lubricant/adhesive material shall be the responsibility of the Contractor and shall be performed in an approved independent laboratory and certified copies of the test reports shall be submitted for approval 60 days prior to the use of the materials at the job site. Samples of each lot of material shall also be submitted and will be retained by the Engineer for possible future testing should the materials appear defective during or after application. The Contractor shall furnish additional samples of materials, in sufficient quantity to be tested, upon request. Final acceptance will be based on conformance to the specified test requirements and the performance of the in-place materials.

CONSTRUCTION METHODS

604-3.1 Equipment. Machines, tools, and equipment used in the performance of the work required by this section shall be approved by the Engineer before the work starts and shall be maintained by the Contractor in satisfactory condition at all times.

a. Joint cleaning equipment.

(1) Concrete saw. A self-propelled power saw with water-cooled diamond saw blades shall be provided for cutting joints to the depths and widths specified and for removing filler, existing old joint seal or other material embedded in the joints or adhered to the joint faces.

(2) Sandblasting equipment. [Sandblasting is not allowed.]

[Sandblasting equipment shall include an air compressor, hose, and a long-wearing venturi-type nozzle of proper size, shape, and opening. The maximum nozzle opening should not exceed 1/4 inch (6 mm). The air compressor shall be portable and shall be capable of furnishing not less than 150 cubic feet (4200 liters) per minute and maintaining a line pressure of not less than 90 psi (620 kPa) at the nozzle while in use. The compressor shall be equipped with traps that will maintain the compressed air free of oil and water. The nozzle shall have an adjustable guide that will hold the nozzle aligned with the joint about one inch (25 mm) above the pavement surface and will direct the blast to clean the joint walls. The height, angle of inclination, and

the size of the nozzle shall be adjusted as necessary to ensure satisfactory results.]

Sandblasting should be shown as an option to waterblasting for new pavement installations.

Sandblasting equipment with a 1/4 inch (6 mm) nozzle requires at least 137 cubic feet (3880 liters) per minute of air to function efficiently. A larger nozzle would not serve any useful purpose in cleaning a joint.

Coordinate with paragraph 604-4.3b.

(3) Waterblasting equipment. Waterblasting equipment shall include a trailer-mounted water tank, pumps, high-pressure hose, a wand with safety release cutoff controls, nozzle, and auxiliary water resupply equipment. The water tank and auxiliary water resupply equipment shall be of sufficient capacity to permit continuous operations. The pumps, hoses, wand, and nozzle shall be of sufficient capacity to permit the cleaning of both walls of the joint and the pavement surface for a width of at least 1/2 inch (12 mm) on either side of the joint. The pump shall be capable of supplying a pressure of at least 3,000 psi (20.7 MPa). A pressure gauge mounted at the pump shall show at all times the pressure in pounds per square inch (psi) (kPa) at which the equipment is operating.

b. Sealing equipment. Equipment used to install the compression seal shall place the compression seal to the prescribed depths within the specified tolerances without cutting, nicking, twisting, or otherwise damaging the seal. The equipment shall not stretch or compress the seal more than 2.0% longitudinally during installation. The machine shall be an automatic self-propelled joint seal application equipment and shall be engine powered. The machine shall include a reservoir for the lubricant/adhesive, a device for conveying the lubricant/adhesive in the proper quantities to the sides the preformed seal or the sidewalls of the joint, a reel capable of holding one full spool of compression seal, and a power-driven apparatus for feeding the joint seal through a compression device and inserting the seal into the joint. The equipment shall also include a guide to maintain the proper course along the joint being sealed. The machine shall at all times be operated by an experienced operator.

Single-axle type seal application equipment should not be permitted; this tool tends to cause excessive stretching and may cut or distort the seal. The following subparagraph may be added only for pavements less than 500 square yard (450 square meters) in area:

“The hand operated joint seal application equipment shall be a two-axle, four-wheel machine that shall include means for compressing and inserting the compression seal into the joint and a reel capable of holding one full spool of compression seal. Auxiliary equipment shall be provided to coat both sides the seal or the joint with lubricant/adhesive just prior to the installation of the compression seal.”

CONSTRUCTION METHODS

604-4.1 Environmental conditions. The ambient temperature and the pavement temperature within the joint wall shall be at least 35°F (2°C) and rising at the time of installation of the materials. Sealant application will not be permitted if moisture or any foreign material is observed in the joint.

604-4.2 Trial joint seal and lubricant/adhesive installation. Prior to the cleaning and sealing of the joints for the entire project, a test section at least 200 feet (69 meters) long shall be prepared at a location in the project pavement directed by the Engineer using the specified materials and the approved equipment, to demonstrate the proposed joint preparation and sealing of all types of joints in the project. Following the completion of the trial length and before any other joint is sealed, the trial joints will be inspected by the Engineer to determine that the materials and installation meet the requirements specified. If materials or installation do not meet requirements the materials shall be removed, and the joints shall be recleaned and resealed at no cost to the Owner. No other joints shall be sealed until the test installation has been approved by the Engineer. If the trial section is approved, it may be incorporated into the permanent work. All other joints shall be sealed in the manner approved for sealing the trial joints.

604-4.3 Preparation of joints. Immediately before installation of the compression joint seal, the joints shall be thoroughly cleaned to remove all laitance, filler, existing sealer, foreign material and protrusions of hardened concrete from the sides and upper edges of the joint space to be sealed. Cleaning shall be performed using equipment in accordance with paragraph 604-3.1a and shall extend along pavement surfaces at least 1/2 inch (12 mm) on either side of the joint. After final cleaning and immediately prior to sealing, the joints shall be blown out with compressed air and left completely free of debris and water. Demonstrate that the selected cleaning operation meets the cleanliness requirements. Any irregularity in the joint face that would prevent uniform contact between the joint seal and the joint face shall be corrected prior to the installation of the joint seal.

Joint openings of uniform cross-section are essential to satisfactory installation of compression joint seal. Openings must be sawed to provide smooth vertical faces of consistent width, within specified tolerances. Non-uniformity in width or roughness will cause variations in resistance of the joint seal to insertion and will result in irregular depth of insertion, stretching, and a tendency of the joint seal to twist so that the top of the seal is not at the surface.

The proper preparation of joints with respect to the size of joint opening, required cleanliness of vertical and parallel joint faces, and uniform contact between the seal and the joint face cannot be overemphasized. The neglect of any facet of these operations can result and has resulted in poor performance of joint seals.

a. Sawing. Joints shall be sawed to clean and to open them to the full specified width and depth. Immediately following the sawing operation, the joint faces and opening shall be thoroughly cleaned using a water jet to remove all saw cuttings or debris remaining on the faces or in the joint opening. Compression seal shall be installed within three (3) calendar days of the time the joint cavity is sawed. Depth of the joint cavity shall be in accordance with manufacturer's instructions. Submit printed copies of manufacturers' instructions 60 days prior to use on the project. The saw cut for the joint seal cavity shall at all locations be centered over the joint line. The nominal width of the sawed joint seal cavity shall be as follows; the actual width shall be within a tolerance of $\pm 1/16$ inch (2 mm):

(1) If a nominal 13/16 inch (21 mm) wide compression seal is furnished, the nominal width of the saw cut shall be [] inches ([] mm) when the pavement temperature at the time of sawing is

between [] and []°F ([] and []°C). If the pavement temperature at the time of sawing is above this range, the nominal width of the saw cut shall be decreased 1/16 inch (2 mm). If the pavement temperature at the time of sawing is below this range, the nominal width of the saw cut shall be increased 1/16 inch (2 mm).

(2) If a nominal one inch (25 mm) wide compression seal is furnished, the nominal width of the saw cut shall be [] inches ([] mm) when the pavement temperature at the time of sawing is between [] and []°F ([] and []°C). If the pavement temperature at the time of sawing is above this range, the nominal width of the saw cut shall be decreased 1/16 inch (2 mm). If the pavement temperature at the time of sawing is below this range, the nominal width of the saw cut shall be increased 1/16 inch (2 mm).

(3) The pavement temperature shall be measured and recorded in the presence of the Engineer. Measurement shall be made each day before commencing sawing and at any other time during the day when the temperature appears to be moving out of the allowable sawing range.

In paragraph 604-3.a, the requirements are based on giving the Contractor the option of using either nominal 13/16 inch (21 mm) or one inch (25 mm) wide compression seal. The designer will select the required values from columns (3) and (4) of the following table, based on the geographical area and the nominal sealant width to be used for this project. The Engineer should ensure joint installation follows the manufacturer recommendations.

For insertion in blanks				
Area	(1) Expected Pavement Temperature Range in Service (Degrees F)	(2) Nominal Uncompressed Sealant Width (Inches)	(3) Nominal Saw Cut (Inches)	(4) Allowable Pavement Temperature Range for Sawing (Degrees F)
Southwest Desert Area	+10 to +160	13/16	8/16	+50 to +115
		1	9/16	+55 to +180
Southern U.S.	0 to +135	13/16	8/16	+30 to +110
		1	9/16	+30 to +170
Other Contiguous U.S. States	-30 to +135	13/16	8/16	+25 to +80
		1	9/16	+25 to +140
Alaska and Similar Areas	-70 to +110	13/16*	7/16	+50* to +105
		1	8/16	+60 to +160

* Note in the project specifications that this seal shall not be installed in a saw cut less than 7/16 in and thus cannot be used in this area if sawing must be done at temperatures less than +50°.

The above table is based on the following:

- a. Tolerance from nominal specified width of uncompressed seal plus 1/8 inch (3 mm) and minus 1/16 inch (2 mm).
- b. Tolerance from nominal saw cut width ±1/16 inch (2 mm).
- c. Compression seal must be compressed at least 20% of its uncompressed width at all times.
- d. Compression seal must never be compressed more than 60% of its uncompressed width at any time (narrowest opening in hot weather must be at least 40% of uncompressed seal width).

Before the compression seal is used for resealing joints in existing pavements, it is common practice to resaw the joints, which will give a wider cavity. Width of sawing should be held to the same tolerance as specified for new pavements. For unusual conditions and for resealing joints in existing pavements where the prepared joint is extra wide, the designer will have to compute values to insert in the blanks using the computations for slab (or joint) movement based on the formula $dL = 12 \times C \times L \times (\alpha \times dT + \epsilon)$ where dL = Joint opening caused by the temperature change and drying shrinkage of Portland cement concrete; C = adjustment factor due to slab or base friction restraint; L = Joint spacing; α = thermal coefficient of contraction for concrete; ϵ = drying shrinkage coefficient of concrete; and dT = temperature range. Refer to Unified Facilities Criteria (UFC) 3-250-08FA for the steps required to compute the working range of joints and sealants.

b. Sandblast cleaning. [Sandblast cleaning is not allowed.][The concrete joint faces and pavement surfaces extending at least 1/2 inch (12 mm) from the joint edges shall be sandblasted clean. A multiple pass technique shall be used until the surfaces are free of dust, dirt, curing compound, or any residue that might prevent ready insertion or uniform contact of the seal and bonding of the lubricant/adhesive to the concrete. After final cleaning and immediately prior to sealing, the joints shall be blown out with compressed air and left completely free of debris and water.]

Sandblasting of joints may not be permitted under certain conditions. Blowing sand and dust may either violate atmospheric pollution statutes, or may drift into areas where it would be objectionable. When sandblasting is prohibited, cleaning the joints with waterblasting equipment may be used.

Coordinate with paragraph 604-3.1.a(2) entitled "Sandblasting Equipment."

c. Waterblast cleaning. The concrete joint faces and pavement surfaces extending at least 1/2 inch (12 mm) from the joint edges shall be waterblasted clean. A multiple pass technique shall be used until the surfaces are free of dust, dirt, curing compound, or any residue that might prevent ready insertion or uniform contact of the seal and bonding of the lubricant/adhesive to the concrete. After final cleaning and immediately prior to sealing, the joints shall be blown out with compressed air and left completely free of debris and water.

Waterblasting equipment varies considerably with respect to design of wand, nozzle, water pressure, and water volume depending upon the manufacturer. Consequently, the effectiveness of a particular set of equipment cannot be predicted. The joints may be waterblasted the previous day and cleaned with compressed air immediately prior to sealing. The joints should be inspected to ensure no foreign debris remains in the joint before sealing.

d. Rate of progress. Sandblasting or waterblasting of the joint faces and air pressure cleaning of the joints shall be limited to the linear footage of joint that can be sealed during the same workday.

604-4.4 Installation of the compression seal.

Temperatures of the pavement and the atmosphere are not as critical for the installation of compression joint seals as they are for poured sealants. Therefore, lower temperatures are acceptable and under some conditions sealing can proceed satisfactorily at temperatures lower than 35°F (2°C). However, joints should be dry to obtain maximum cementing of the lubricant/adhesive to the concrete and manufacturers should be contacted for special instructions under cold conditions.

a. Time of installation. Joints shall be sealed within three (3) calendar days of sawing the joint seal cavity and immediately following concrete cure and the final cleaning of the joint walls. Open joints ready for sealing that cannot be sealed under the conditions specified shall be provided with an approved temporary seal to prevent infiltration of foreign material. When rain interrupts the sealing operations, the joints shall be washed, air pressure cleaned and allowed to dry prior to installing the lubricant/adhesive and compression seal.

b. Sequence of installation. Longitudinal joints shall be sealed first, followed by transverse joints. Seals in longitudinal joints shall be installed so that all transverse joint seals will be intact from edge to edge of the pavement. Intersections shall be made monolithic by use of joint seal adhesive and care in fitting the intersection parts together. Extender pieces of seal shall not be used at intersections. Any seal falling short of the intersection shall be removed and replaced with new seal at no additional cost to the Owner.

604-4.5 Sealing of joints. The joint seal shall be installed using the equipment specified in paragraph 604-3.1b. The sides of the joint seal or the sides of the joint shall be covered with a coating of lubricant/adhesive and the seal installed as specified. Butt joints and seal intersections shall be coated with liberal applications of lubricant/adhesive. Lubricant/adhesive spilled on the pavement shall be removed immediately to prevent setting on the pavement. An in-place joint seal shall be in an upright position and free from twisting, distortion, and cuts. Adjustments shall be made to the installation equipment and procedure, if the stretch exceeds 1%. Any seal exceeding 2% stretch shall be removed and replaced. The joint seal shall be placed at a uniform depth within the tolerances specified. In-place joint seal that fails to meet the specified requirements shall be removed and replaced with new joint seal in a satisfactory manner at no additional cost to the Owner. The compression joint seal shall be placed to a depth of 3/16 inch (5 mm), ±1/8 inch (3 mm), below the pavement surface or below the depth of the groove unless otherwise directed by the Engineer. No part of the seal shall be allowed to project above the surface of the pavement. The seal shall be installed in the longest practicable lengths in longitudinal joints and shall be cut at the joint intersections so as to provide continuous installation of the seal in the transverse joints. The lubricant/adhesive in the longitudinal shall be allowed to set for one (1) hour prior to cutting at the joint intersections to reduce the possibility of shrinkage. For all transverse joints, the minimum length of the preformed joint seal shall be the pavement width from edge to edge.

Stretching of the compression joint seal beyond the specified maximum must never be permitted, as breaks in the seal could occur later. It is also possible that if the maximum is exceeded, when the longitudinal joints are cut to install the transverse joints that the joint seal material will return to its natural length leaving openings in

the final product. Conversely, placing the seal so that the compression seal is compressed longitudinally is also undesirable, as this practice tends to cause unsightly undulations and may exceed depth of installation tolerances.

604-4.6 Clean-up. Upon completion of the project, all unused materials shall be removed from the site, all lubricant/adhesive on the pavement surface shall be removed, and the pavement shall be left in clean condition.

604-4.7 Quality control provisions.

a. Equipment. The application equipment shall be inspected to assure uniform application of lubricant/adhesive to the sides of the compression joint seal or the walls of the joint. If any equipment causes cutting, twisting, nicking, excessive stretching or compressing of the compression seal, or improper application of the lubricant/adhesive, the operation shall be suspended until causes of the deficiencies are determined and corrected by the Contractor.

b. Procedures.

(1) Quality control provisions shall be provided during the joint cleaning process to prevent or correct improper equipment and cleaning techniques that damage the concrete in any manner. Cleaned joints shall be approved by the Engineer prior to installation of the lubricant/adhesive and compression joint seal.

(2) Conformance to stretching and compression limitations shall be determined by the Engineer. Mark the top surface of the compression seal at one foot (30 cm) intervals in a manner clear and durable to enable length determinations of the seal. After installation, the distance between the marks on the seal shall be measured by the Contractor. If the stretching or compression exceeds the specified limit, the seal shall be removed and replaced with new joint seal at no additional cost to the Owner. The seal shall be removed up to the last correct measurement. The seal shall be inspected by the Contractor a minimum of once per 400 feet (120 m) of seal for compliance to the shrinkage or compression requirements. Measurements shall also be made at the same interval to determine conformance with depth and width installation requirements. All compression seal that is not in conformance with specification requirements shall be removed and replaced with new joint seal at no additional cost to the Owner.

c. Inspection. The joint sealing system (compression seal and lubricant/adhesive) shall be inspected by the Engineer for proper rate of cure and bonding to the concrete, cuts, twists, nicks, and other deficiencies. Seals exhibiting any defects, at any time prior to final acceptance of the project, shall be removed from the joint, wasted, and replaced in a satisfactory manner, as determined by the Engineer.

METHOD OF MEASUREMENT

604-5.1 Measurement. The quantity of each sealing item will be determined by actual measurement of the number of linear feet (meter) of in-place material that has been approved.

BASIS OF PAYMENT

604-6.1 Payment. Payment will be made at the contract unit bid prices per linear foot (meter) for the sealing items scheduled, including approved trial joint installation. The unit bid prices shall include the cost of all labor, materials, the use of all equipment, and tools required to complete the work.

Item 604-6.1 Compression Joint Seals for Concrete Pavements

TESTING REQUIREMENTS

The publications listed below form a part of this specification to the extent referenced. The publications are referred to in this text by basic designation only.

ASTM D2628	Standard Specification for Preformed Polychloroprene Elastomeric Joint Seals for Concrete Pavements
ASTM D2835	Standard Specification for Lubricant for Installation of Preformed Compression Seals in Concrete Pavements
Corps of Engineers CRD C548	Standard Specification for Jet-Fuel and Heat Resistant Preformed Polychloroprene Elastomeric Joint Seals for Rigid Pavements
UFC 3-250-08FA	Standard Practice for Sealing Joints and Cracks in Rigid and Flexible Pavements

END ITEM P-604

Intentionally Left Blank

Item P-605 Joint Sealants for Concrete Pavements

DESCRIPTION

605-1.1 This item shall consist of providing and installing a resilient and adhesive joint sealing material capable of effectively sealing joints and cracks in rigid pavements.

MATERIALS

605-2.1 Joint sealants. Joint sealant materials shall meet the requirements of [___].

Each lot or batch of sealant shall be delivered to the jobsite in the manufacturer's original sealed container. Each container shall be marked with the manufacturer's name, batch or lot number, the safe heating temperature, and shall be accompanied by the manufacturer's certification stating that the sealant meets the requirements of this specification.

The Engineer shall specify one or more of the following:

ASTM D5893 Standard Specifications for Cold Applied, Single Component, Chemically Curing Silicone Joint Sealant for Portland Cement Concrete Pavements.

ASTM D6690 Standard Specification for Joint and Crack Sealants, Hot Applied, for Concrete and Asphalt Pavements

[Engineer shall specify the sealant type]. **Additionally, if silicone sealants are elected, add the ASTM to the listing of Material Requirements.**

605-2.2 Backer rod. The material furnished shall be a compressible, non-shrinking, non-staining, non-absorbing material that is non-reactive with the joint sealant. The material shall have a water absorption of not more than 5% when tested in accordance with ASTM C509. The backer-rod material shall be 25% ± 5 % larger in diameter than the nominal width of the crack.

605-2.3 Backup materials. Provide backup material that is a compressible, nonshrinking, nonstaining, nonabsorbing material, nonreactive with the joint sealant. The material shall have a melting point at least 5°F (3°C) greater than the pouring temperature of the sealant being used when tested in accordance with ASTM D789. The material shall have a water absorption of not more than 5% of the sample weight when tested in accordance with ASTM C509. The backup material shall be 25 ±5% larger in diameter than the nominal width of the crack.

605-2.4 Bond breaking tapes. Provide a bond breaking tape or separating material that is a flexible, nonshrinkable, nonabsorbing, nonstaining, and nonreacting adhesive-backed tape. The material shall have a melting point at least 5°F (3°C) greater than the pouring temperature of the sealant being used when tested in accordance with ASTM D789. The bond breaker tape shall be approximately 1/8 inch (3 mm) wider than the nominal width of the joint and shall not bond to the joint sealant.

The use of a bond breaking separation tape or backup material in the joint may prevent an adverse reaction between incompatible materials, maintain the desired configuration (shape factor of the material), and act as a bond breaker to prevent excessive stresses from being placed on the sealant during pavement movement. Therefore, the separating or backup material should be carefully selected and installed to form an effective and durable support for the sealant. Separating or blocking media should be placed to a depth below the pavement approximately equal to the width of the joint. This is to achieve a shape factor (ratio of the depth of the sealant to the width of the joint) of 1. ASTM D5893 sealants sometimes require a shape factor of 0.5 instead of 1. This is equivalent to a width-to-depth ratio of 2:1 and will require the standard joint detail to be modified. If a ASTM D5893 sealant is to be used, the placement depth of the bond breaking separating tape or backup material should be adjusted accordingly. Drawings should be included in the contract drawings to indicate application details.

For installation of light cans, backup materials shall not be used between Items P-605 and P-606. Can installation shall be per advisory circular (AC) 150/5340-30.

CONSTRUCTION METHODS

605-3.1 Time of application. Joints shall be sealed as soon after completion of the curing period as feasible and before the pavement is opened to traffic, including construction equipment. The pavement temperature shall be 50°F (10°C) and rising at the time of application of the poured joint sealing material. Do not apply sealant if moisture is observed in the joint.

When used with P-606, such as light can installation, P-605 shall not be applied until the P-606 has fully cured.

If the pavement must be opened to traffic prior to placement of the sealant, this paragraph should be modified to require the Contractor to temporarily fill the joint with a jute or nylon rope immediately after the joint is sawed. The rope should be slightly larger than the joint and should be forced into the joint so that the top of the rope is 1/8 inch (3 mm) below the pavement surface. The rope shall be removed immediately prior to cleaning.

605-3.2 Equipment. Machines, tools, and equipment used in the performance of the work required by this section shall be approved before the work is started and maintained in satisfactory condition at all times. Submit a list of proposed equipment to be used in performance of construction work including descriptive data, [] days prior to use on the project.

[a. **Tractor-mounted routing tool.** Provide a routing tool, used for removing old sealant from the joints, of such shape and dimensions and so mounted on the tractor that it will not damage the sides of the joints. The tool shall be designed so that it can be adjusted to remove the old material to varying depths as required. The use of V-shaped tools or rotary impact routing devices will not be permitted.

Hand-operated spindle routing devices may be used to clean and enlarge random cracks.

b. Concrete saw. Provide a self-propelled power saw, with water-cooled diamond or abrasive saw blades, for cutting joints to the depths and widths specified or for refacing joints or cleaning sawed joints where sandblasting does not provide a clean joint.

c. Sandblasting equipment. [Sandblasting is not allowed.][Include with the sandblasting equipment an air compressor, hose, and long-wearing venturi-type nozzle of proper size, shape and opening. The maximum nozzle opening should not exceed 1/4 inch (6 mm). The air compressor shall be portable and capable of furnishing not less than 150 cfm (71 L/s) and maintaining a line pressure of not less than 90 psi (621 kPa) at the nozzle while in use. Demonstrate compressor capability, under job conditions, before approval. The compressor shall be equipped with traps that will maintain the compressed air free of oil and water. The nozzle shall have an adjustable guide that will hold the nozzle aligned with the joint approximately one inch (25 mm) above the pavement surface. Adjust the height, angle of inclination and the size of the nozzle as necessary to secure satisfactory results.]

Sandblasting equipment with a 1/4 inch (6 mm) nozzle requires at least 137 cubic feet per minute (64.7 liters per second) of air to function efficiently. A larger nozzle would not serve any useful purpose in cleaning joints.

d. Waterblasting equipment. Include with the waterblasting equipment a trailer-mounted water tank, pumps, high-pressure hose, wand with safety release cutoff control, nozzle, and auxiliary water resupply equipment. Provide water tank and auxiliary resupply equipment of sufficient capacity to permit continuous operations. The nozzle shall have an adjustable guide that will hold the nozzle aligned with the joint approximately one inch (25 mm) above the pavement surface. Adjust the height, angle of inclination and the size of the nozzle as necessary to obtain satisfactory results. A pressure gauge mounted at the pump shall show at all times the pressure in psi (kPa) at which the equipment is operating.

Waterblasting equipment varies considerably with respect to design of wand, nozzle, water pressure, and water volume, depending upon the manufacturer. Consequently, the effectiveness of a particular set of equipment cannot be predicted. Delete this paragraph if waterblasting will not be used.

e. Hand tools. Hand tools may be used, when approved, for removing defective sealant from a crack and repairing or cleaning the crack faces.

Where spalled joint edges have not been repaired prior to any previous sealing, it may be necessary for the Contractor to employ other types of small tools for the repair work. Such tools should be carefully evaluated for potential spalling effects prior to approval for use.

f. Hot-poured sealing equipment. The unit applicators used for heating and installing ASTM D6690 joint sealant materials shall be mobile and shall be equipped with a double-boiler, agitator-type kettle with an oil medium in the outer space for heat transfer; a direct-connected pressure-type extruding device with a nozzle shaped for inserting in the joint to be filled; positive temperature devices for controlling the temperature of the transfer oil and sealant; and a recording type thermometer for indicating the temperature of the sealant. The applicator unit shall be designed so that the sealant will circulate through the delivery hose and return to the inner kettle when not in use.

g. Two-component, cold-applied, machine mix sealing equipment. Provide equipment used for proportioning, mixing, and installing Federal Specification SS-S-200 Type M joint sealants designed to deliver two semifluid components through hoses to a portable mixer at a preset ratio of one (1) to one (1) by volume using pumps with an accuracy of $\pm 5\%$ for the quantity of each component. The reservoir for each component shall be equipped with mechanical agitation devices that will maintain the components in a uniform condition without entrapping air. Incorporate provisions to permit thermostatically controlled indirect heating of the components, when required. However, immediately prior to proportioning and mixing, the temperature of either component shall not exceed 90°F (32°C). Provide screens near the top of each reservoir to remove any foreign particles or partially polymerized material that could clog fluid lines or otherwise cause misproportioning or improper mixing of the two components. Provide equipment capable of thoroughly mixing the two components through a range of application rates of 10 to 60 gallons (37.8 to 189 L) per hour and through a range of application pressures from 50 to 1500 psi (345 kPa to 10.3 MPa) as required by material, climatic, or operating conditions. Design the mixer for the easy removal of the supply lines for cleaning and proportioning of the components. The mixing head shall accommodate nozzles of different types and sizes as may be required by various operations. The dimensions of the nozzle shall be such that the nozzle tip will extend into the joint to allow sealing from the bottom of the joint to the top. Maintain the initially approved equipment in good working condition, serviced in accordance

with the supplier's instructions, and unaltered in any way without obtaining prior approval.

h. Two-component, cold-applied, hand-mix sealing equipment. Mixing equipment for Federal Specification SS-S-200 Type H sealants shall consist of a slow-speed electric drill or air-driven mixer with a stirrer in accordance with the manufacturer's recommendations. Submit printed copies of manufacturer's recommendations [] days prior to use on the project where installation procedures, or any part thereof, are required to be in accordance with those recommendations. Installation of the material will not be allowed until the recommendations are received. Failure to furnish these recommendations can be cause for rejection of the material.

i. Cold-applied, single-component sealing equipment. The equipment for installing ASTM D5893 single component joint sealants shall consist of an extrusion pump, air compressor, following plate, hoses, and nozzle for transferring the sealant from the storage container into the joint opening. The dimension of the nozzle shall be such that the tip of the nozzle will extend into the joint to allow sealing from the bottom of the joint to the top. Maintain the initially approved equipment in good working condition, serviced in accordance with the supplier's instructions, and unaltered in any way without obtaining prior approval. Small hand-held air-powered equipment (i.e., caulking guns) may be used for small applications.

Some ASTM D5893 sealants cure when exposed to moisture. When the sealant is moisture sensitive it is necessary to use Teflon-lined hoses to prevent the sealant from curing in the hoses.

|

Delete the paragraphs that do not apply to the project.

605-3.3 Preparation of joints.

a. Sawing. All joints shall be sawed in accordance with specifications and plan details. Immediately after sawing the joint, the resulting slurry shall be completely removed from joint and adjacent area by flushing with a jet of water, and by use of other tools as necessary.

b. Sealing. Immediately before sealing, the joints shall be thoroughly cleaned of all remaining laitance, curing compound, filler, protrusions of hardened concrete, old sealant and other foreign material from the sides and upper edges of the joint space to be sealed. Cleaning shall be accomplished by [sandblasting][tractor-mounted routing equipment][concrete saw] [waterblaster] as specified in paragraph 605-3.2. The newly exposed concrete joint faces and the pavement surface extending a minimum of 1/2 inch (12 mm) from the joint edge shall be sandblasted

clean. Sandblasting shall be accomplished in a minimum of two passes. One pass per joint face with the nozzle held at an angle directly toward the joint face and not more than 3 inches (75 mm) from it. After final cleaning and immediately prior to sealing, blow out the joints with compressed air and leave them completely free of debris and water. The joint faces shall be surface dry when the seal is applied.

Sandblasting of joints may not be permitted under certain conditions. Blowing sand and dust may either violate atmospheric pollution statutes, or may drift into areas where it would be objectionable. When sandblasting is prohibited, cleaning the joints with a waterblaster or wire brushes may be substituted. Wire brushes usually do not clean as well as the sandblaster or waterblaster and should only be used for small areas. When wire brushes are used, attention should be given to ensure worn brushes are not used and that the joints are being adequately cleaned.

c. Back-up material. When the joint opening is of a greater depth than indicated for the sealant depth, plug or seal off the lower portion of the joint opening using a back-up material to prevent the entrance of the sealant below the specified depth. Take care to ensure that the backup material is placed at the specified depth and is not stretched or twisted during installation.

d. Bond-breaking tape. Where inserts or filler materials contain bitumen, or the depth of the joint opening does not allow for the use of a backup material, insert a bond-breaker separating tape to prevent incompatibility with the filler materials and three-sided adhesion of the sealant. Securely bond the tape to the bottom of the joint opening so it will not float up into the new sealant.

605-3.4 Installation of sealants. Joints shall be inspected for proper width, depth, alignment, and preparation, and shall be approved by the Engineer before sealing is allowed. Sealants shall be installed in accordance with the following requirements:

Immediately preceding, but not more than 50 feet (15 m) ahead of the joint sealing operations, perform a final cleaning with compressed air. Fill the joints from the bottom up to [1/8] [1/4] inch ([3] [6] mm) \pm 1/16 inch (2 mm) below the pavement surface. Remove and discard excess or spilled sealant from the pavement by approved methods. Install the sealant in such a manner as to prevent the formation of voids and entrapped air. In no case shall gravity methods or pouring pots be used to install the sealant material. Traffic shall not be permitted over newly sealed pavement until authorized by the Contracting Officer. When a primer is recommended by the manufacturer, apply it evenly to the joint faces in accordance with the manufacturer's instructions. Check the joints frequently to ensure that the newly installed sealant is cured to a tack-free condition within the time specified.

The use of a backup material or bond breaker in the bottom of the joint to be filled is recommended to control the depth of the sealant, to achieve the desired shape factor, and to support the sealant against indentation and sag. Backup materials and bond breakers should be compatible with the sealant should be compressible without extruding the sealant, and should recover to maintain contact with the joint faces when the joint is open.

Jute, paper, or other moisture absorbing material shall not be used for the backing material. The backing material shall be rubber, butyl rubber, or other approved material that will not react with the joint sealer and will not form a gas when the hot joint sealer is applied.

605-3.5 Inspection. The Contractor shall inspect the joint sealant for proper rate of cure and set, bonding to the joint walls, cohesive separation within the sealant, reversion to liquid, entrapped air and voids. Sealants exhibiting any of these deficiencies at any time prior to the final acceptance of the project shall be removed from the joint, wasted, and replaced as specified at no additional cost to the airport.

605-3.6 Clean-up. Upon completion of the project, remove all unused materials from the site and leave the pavement in a clean condition.

METHOD OF MEASUREMENT

605-4.1 Joint sealing material shall be measured by the [gallon (liter)][pound (kg)] [linear foot (meter)] of sealant in place, completed, and accepted.

BASIS OF PAYMENT

605-5.1 Payment for joint sealing material shall be made at the contract unit price per [gallon (liter)][pound (kg)][linear foot (meter)]. The price shall be full compensation for furnishing all materials, for all preparation, delivering, and placing of these materials, and for all labor, equipment, tools, and incidentals necessary to complete the item.

Payment will be made under:

Item P-605-5.1	Joint Sealing Filler, per gallon (liter)
Item P-605-5.2	Joint Sealing Filler, per pound (kg)
Item P-605-5.3	Joint Sealing Filler, per linear foot (meter)

TESTING REQUIREMENTS

ASTM D412	Standard Test Methods for Vulcanized Rubber and Thermoplastic Elastomers – Tension
ASTM C509	Standard Specification for Elastomeric Cellular Preformed Gasket and Sealing Material
ASTM D1644	Standard Test Methods for Nonvolatile Content of Varnishes

MATERIAL REQUIREMENTS

AC 150/5340-30	Design and Installation Details for Airport Visual Aids
ASTM D789	Standard Test Method for Determination of Relative Viscosity of Polyamide (PA)
ASTM D5893	Standard Specification for Cold Applied, Single Component, Chemically Curing Silicone Joint Sealant for Portland Cement Concrete Pavements

ASTM D6690

Standard Specification for Joint and Crack Sealants, Hot Applied, for Concrete and Asphalt Pavements

END ITEM P-605

Item P-606 Adhesive Compounds, Two-Component for Sealing Wire and Lights in Pavement

DESCRIPTION

606-1.1. This specification covers two types of material; a liquid suitable for sealing electrical wire in saw cuts in pavement and for sealing light fixtures or bases in pavement, and a paste suitable for embedding light fixtures in the pavement. Both types of material are two-component filled formulas with the characteristics specified in paragraph 606-2.4. Materials supplied for use with bituminous concrete pavements must be formulated so they are compatible with the bituminous concrete.

If the material is to be used on bituminous concrete pavements and it is not formulated for this use, cracking and separation of the material from sawed wireway kerfs and around light fixtures may occur.

EQUIPMENT AND MATERIALS

606-2.1 Curing. When pre-warmed to 77°F (25°C), mixed, and placed in accordance with manufacturer's directions, the materials shall cure at temperatures of 45°F (7°C) or above without the application of external heat.

606-2.2 Storage. The adhesive components shall not be stored at temperatures over 86°F (30°C).

606-2.3 Caution. Installation and use shall be in accordance with the manufacturer's recommended procedures. Avoid prolonged or repeated contact with skin. In case of contact, wash with soap and flush with water. If taken internally, call doctor. Keep away from heat or flame. Avoid vapor. Use in well-ventilated areas. Keep in cool place. Keep away from children.

606-2.4 Characteristics. When mixed and cured in accordance with the manufacturer's directions, the materials shall have the following properties shown in Table 1.

SAMPLING, INSPECTION, AND TEST PROCEDURES

606-3.1 Tensile properties. Tests for tensile strength and elongation shall be conducted in accordance with ASTM D638.

606-3.2 Expansion. Tests for coefficients of linear and cubical expansion shall be conducted in accordance with ASTM D1168, Method B, except that mercury shall be used instead of glycerine. The test specimen shall be mixed in the proportions specified by the manufacturer, and cured in a glass tub approximately 2 inch (50 mm) long by 3/8 inch (9 mm) in diameter. The interior of the tube shall be precoated with a silicone mold release agent. The hardened sample shall be removed from the tube and aged at room temperature for one (1) week before conducting the test. The test temperature range shall be from 35°F (2°C) to 140°F (60°C).

606-3.3 Test for dielectric strength. Test for dielectric strength shall be conducted in accordance with ASTM D149 for sealing compounds to be furnished for sealing electrical wires in pavement.

Table 1. Property Requirements

Physical or Electrical Property	Minimum	Maximum	ASTM Method
Tensile			
Portland cement concrete	1,000 psi (70 kg/sq cm)		D 638
Bituminous concrete	500 psi (35 kg/sq cm)		
Elongation			
Portland cement concrete		See note ¹	D 638
Bituminous concrete	50%		D 638
Coef. of cub. exp. cu. cm/cu. cm/°C	0.00090	0.00120	D 1168
Coef. of lin. exp. cm/cm/°C	0.000030	0.000040	D 1168
Dielectric strength, short time test	350 volts/mil.		D 149
Arc resistance	125 sec		
Pull-off			
Adhesion to steel	1,000 psi (70 kg/sq cm)		
Adhesion to Portland cement concrete	200 psi (14 kg/sq cm)		
Adhesion to asphalt concrete	No test available.		
Adhesion to aluminum	250 psi		

¹ 20% or more (without filler) for formulations to be supplied for areas subject to freezing.

606-3.4 Test for arc resistance. Test for arc resistance shall be conducted for sealing compounds to be furnished for sealing electrical wires in pavement.

606-3.5 Test for adhesion to steel. The ends of two smooth, clean, steel specimens of convenient size (1 inch by 1 inch by 6 inch) (25 mm by 25 mm by 150 mm) would be satisfactory when bonded together with adhesive mixture and allowed to cure at room temperature for a period of time to meet formulation requirements and then tested to failure on a Riehle (or similar) tensile tester. The thickness of adhesive to be tested shall be 1/4 inch (6 mm).

606-3.6 Adhesion to Portland cement concrete

a. Concrete test block preparation. The aggregate grading shall be as shown in Table 2.

The coarse aggregate shall consist of crushed rock having a minimum of 75% of the particles with at least one fractured face and having a water absorption of not more than 1.5%. The fine aggregate shall consist of crushed sand manufactured from the same parent rock as the coarse aggregate. The concrete shall have a water-cement ratio of 5.5 gallons (21 liters) of water per bag of cement, a cement factor of 6, ±0.5, bags of cement per cubic yard (0.76 cubic meter) of concrete, and a slump of 2-1/2 inch (60 mm), ±1/2 inch (60 mm ±12 mm). The ratio of fine aggregate to total aggregate shall be approximately 40% by solid volume. The air content shall be 5.0%, ±0.5%, and it shall be obtained by the addition to the batch

of an air-entraining admixture such as Vinsol® resin. The mold shall be of metal and shall be provided with a metal base plate.

Means shall be provided for securing the base plate to the mold. The assembled mold and base plate shall be watertight and shall be oiled with mineral oil before use. The inside measurement of the mold shall be such that several one inch (25 mm) by 2 inch (75 mm) by 3 inch (25 mm by 50 mm by 75 mm) test blocks can be cut from the specimen with a concrete saw having a diamond blade. The concrete shall be prepared and cured in accordance with ASTM C192.

Table 2. Aggregate For Bond Test Blocks

Type	Sieve Size	Percent Passing
Coarse Aggregate	3/4 inch (19 mm)	97 to 100
	1/2 inch (12 mm)	63 to 69
	3/8 inch (9 mm)	30 to 36
	No. 4 (4.75 mm)	0 to 3
Fine Aggregate	No. 4 (4.75 mm)	100
	No. 8 (2.36 mm)	82 to 88
	No. 16 (1.18 mm)	60 to 70
	No. 30 (600 µm)	40 to 50
	No. 50 (300 µm)	16 to 26
	No. 100 (150 µm)	5 to 9

b. Bond test. Prior to use, oven-dry the test blocks to constant weight at a temperature of 220°F to 230°F (104°C to 110°C), cool to room temperature, 73.4°F ±3°F (23°C ±1.6°C), in a desiccator, and clean the surface of the blocks of film or powder by vigorous brushing with a stiff-bristled fiber brush. Two test blocks shall be bonded together on the one inch by 3 inch (25 mm by 75 mm) sawed face with the adhesive mixture and allowed to cure at room temperature for a period of time to meet formulation requirements and then tested to failure in a Riehle (or similar) tensile tester. The thickness of the adhesive to be tested shall be 1/4 inch (6 mm).

606-3.7 Compatibility with asphalt concrete. Test for compatibility with asphalt in accordance with ASTM D5329.

606-3.8 Adhesive compounds - Contractor's responsibility. The Contractor shall furnish the vendor's certified test reports for each batch of material delivered to the project. The report shall certify that the material meets specification requirements and is suitable for use with [Portland cement concrete] [bituminous concrete] pavements. The report shall be delivered to the Engineer before permission is granted for use of the material. In addition the Contractor shall obtain a statement from the supplier or manufacturer that guarantees the material for one year. The supplier or manufacturer shall furnish evidence that the material has performed satisfactorily on other projects.

606-3.9 Application. Adhesive shall be applied on a dry, clean surface, free of grease, dust, and other loose particles. The method of mixing and application shall be in strict accordance with the manufacturer's recommendations. When used with Item P-605, such as light can installation, Item P-605 shall not be applied until the Item P-606 has fully cured.

Installation methods such as surface preparation, mixing ratios, and pot life are as important to satisfactory performance as the properties of the material itself. Therefore, the Engineer may wish to require a manufacturer's representative to be present during the initial installation of the material to ensure the installation procedures are in accordance with the manufacturer's directions.

METHOD OF MEASUREMENT

606-4.1 The adhesive compound shall be measured by the [pound (kg)][gallon (l)] of adhesive as specified, in place, complete and accepted. When required in the installation of an in-runway lighting system or portion thereof, no measurement will be made for direct payment of adhesive, as the cost of furnishing and installing shall be considered as a subsidiary obligation in the completion of the installation.

BASIS OF PAYMENT

606-5.1 Payment shall be made, where applicable, at the contract unit price per [pound (kg)][gallon (l)] for the adhesive. This price shall be full compensation for furnishing all materials, and for all preparation, delivering, and application of these materials, and for all labor, equipment, tools, and incidentals necessary to complete the item.

Item P-606-5.1 Adhesive Compound - per [pound (kg)][gallon (l)]

TESTING REQUIREMENTS

ASTM C192	Standard Practice for Making and Curing Concrete Test Specimens in the Laboratory
ASTM D149	Standard Test Method for Dielectric Breakdown Voltage and Dielectric Strength of Solid Electrical Insulating Materials at Commercial Power Frequencies
ASTM D638	Standard Test Method for Tensile Properties of Plastics
ASTM D1168	Standard Test Method for Hydrocarbon Waxes Used for Electrical Insulation
ASTM D5329	Standard Test Methods for Sealants and Fillers, Hot-applied, for Joints and Cracks in Asphaltic and Portland Cement Concrete Pavements

END OF ITEM P-606

Item P-608 Emulsified Asphalt Seal Coat

DESCRIPTION¹

This specification covers the requirements for emulsified asphalt surface treatments (not coal tars products) for taxiways and runways with the application of a suitable aggregate to maintain adequate surface friction; airfield secondary and tertiary pavements including low-speed taxiways, shoulders, overruns, roads, parking areas, and other general applications with or without aggregate applied.

The emulsified asphalt seal coat and sealer binder may be applied to new asphalt pavement and pavements in fair or better condition as defined in ASTM D5340 or advisory circular (AC) 150/5320-17, Airfield Pavement Surface Evaluation and Rating (PASER) Manuals.

An emulsified asphalt seal coat and sealer binder without aggregate, more commonly called a “fog seal,” can be considered for use on pavements with low to moderate weathered surfaces as defined by ASTM D5340.

608-1.1 This item shall consist of the application of a emulsified asphalt surface treatment composed of an emulsion of natural and refined asphalt materials, water and, if specified, a polymer additive, for taxiways and runways with the application of a suitable aggregate to maintain adequate surface friction; and airfield secondary and tertiary pavements including low-speed taxiways, shoulders, overruns, roads, parking areas, and other general applications with or without aggregate applied. Emulsified Asphalt Seal Coat products assist in pavement preservation through reducing the rate of pavement oxidation. The emulsified asphalt surface treatment shall be applied in accordance with these specifications, and as shown on the plans or as directed by the Engineer.

The performance of a seal coat/sealer binder product is contingent on the pavement condition at the time of application. The pavement condition survey provides a measure of the pavement condition by analyzing the type, amount, and severity of the distresses, and by determining the pavement condition index (PCI) in accordance with AC 150/5380-7, Airport Pavement Management Program (PMP), and ASTM D5340. A typical asphalt pavement candidate is one with a structural condition index (SCI) deduct value of less than 10 and a PCI equal to or greater than 60.

¹ The terms seal coat and sealer binder and asphalt material are interchangeable throughout this specification. The term emulsified asphalt means an emulsion of natural and refined asphalt materials.

608-1.2 Quantities of materials per square yard (square meter). The approximate amounts of materials per square yard (square meter) for the asphalt surface treatment shall be as provided in the table for the treatment area(s) at the specified dilution rate(s) as noted on the plans. The actual application rates will vary within the range specified to suit field conditions and will be recommended by the manufacturer’s representative and approved by the Engineer from the test area/sections evaluation.

Application Rate

Dilution Rate	Quantity of Emulsion gal/yd ² (l/m ²)	Quantity of Aggregate lb/yd ² (kg/m ²)
1:1	0.10-0.15 (0.45-0.68)	0.20-0.50 (0.11-0.27)
2:1	0.08-0.15 (0.36-0.54)	0.20-0.50 (0.11-0.27)

The quantities of material shown in the table above cover an average range of conditions. The quantity of sand, the dilution rate of the emulsified asphalt and its rate of spread should take into consideration local conditions and experience. The Engineer should select the dilution rate(s) reflecting the local condition of the pavement such as surface texture, porosity, and age of the asphalt pavement to be sealed.

A dilution rate of one (1) part emulsified asphalt to one (1) part water is recommended for most applications. A dilution rate of two (2) parts emulsified asphalt to one (1) part water is recommended for grooved, rough or course surfaces, or where the pavement is highly oxidized or badly cracked.

Application rates can vary from 0.08 to 0.15 gallons per square yard (0.36 to 0.68 l/m²). For a 1:1 dilution, 0.10 to 0.15 gallons per square yard (0.45 to 0.68 k/m²) is recommended. For a 2:1 dilution, 0.08 to 0.15 gallons per square yard (0.36 to 0.68 l/m²) is recommended. Exceeding recommended application rates is not advisable without consulting a responsible manufacturer’s representative.

MATERIALS

608-2.1 Aggregate. The aggregate material shall be a dry, clean, dust and dirt free, sound, durable, angular shaped manufactured specialty sand, such as that used as an abrasive, with a Mohs hardness of 6 to 8. The Contractor shall submit manufacturer’s technical data and a manufacturer’s certification indicating that the specialty sand meets the requirements of the specification to the Engineer prior to start of construction. The sand must be approved for use by the Engineer and shall meet the following gradation limits when tested in accordance with ASTM C136 and ASTM C117:

Aggregate Material Gradation Requirements

Sieve Designation (square openings)	Percentage by Weight Retained Sieves
No. 8 (2.38 mm)	0
No. 16 (1.19 mm)	0-8
No. 20 (0.84 mm)	0-28
No. 30 (0.60 mm)	20-50
No. 40 (0.42 mm)	10-55
No. 50 (0.30 mm)	0-30
No. 70 (0.21 mm)	0-5
No. 100 (0.15 mm)	0-2
No. 200 (0.07 mm)	0-2

The Contractor shall provide a certification showing particle size analysis and properties of the material delivered for use on the project. The Contractor’s certification may be subject to verification by testing the material delivered for use on the project.

Locally available sand or abrasive material may be available that is slightly outside of the gradation requirements listed below. These may be submitted for review and approval by the Engineer. It is recommended to obtain concurrence for use by the seal coat manufacturer; and the Engineer and manufacturer’s field representative should verify acceptance during application of test sections indicated under paragraph 608-3.2.

The gradations in the table represent the limits in determining aggregate suitability for use in the emulsified asphalt surface treatment. The sand gradation used, within the limits designated in the table, shall provide sufficient friction levels to meet or exceed the Maintenance Planning Friction Level in Table 3-2, “Friction Level Classification for Runway Pavement Surfaces” of AC 150/5320-12, Measurement, Construction, and Maintenance of Skid Resistant Airport Pavement Surfaces.

608-2.2 Asphalt material. The Contractor shall furnish the vendor’s certified test reports for the emulsified asphalt, in its concentrated form, to the Engineer, showing that the material meets the following properties:

Concentrated Asphalt Material Properties

Properties	Specification	Limits
Saybolt Furol Viscosity at 77°F (25°C)	ASTM D244	20 – 100 seconds
Residue by Distillation or Evaporation	ASTM D244	57% minimum
Sieve Test	ASTM D244	0.1% maximum
24-hour Stability	ASTM D244	1% maximum
5-day Settlement Test	ASTM D244	5.0% maximum
Particle Charge ¹	ASTM D244	Positive 6.5 maximum pH

¹ pH may be used in lieu of the particle charge test which is sometimes inconclusive in slow setting, asphalt emulsions.

The asphalt material concentrate must be diluted with heated water prior to application. The asphalt material, when diluted in the volumetric proportion of [one part concentrated asphalt material to one part hot water] [two parts concentrated asphalt material to one part hot water] shall have the following properties:

The Engineer should select the dilution rate(s) for the various treatment area(s) and note the dilution rate per area(s) on the plans. See paragraph 608-1.2.

One-to-One Dilution Emulsion Properties

Properties	Specification	Limits
In Ready-to-Apply Form, one part concentrate to one part water, by volume		
Saybolt Furol Viscosity at 77°F (25°C)	ASTM D244	10 – 50 seconds
Residue by Distillation or Evaporation	ASTM D244	28.5% minimum
Pumping Stability ¹		Pass

¹ Pumping stability is tested by pumping one pint (475 ml) of seal coat diluted one (1) part concentrate to one (1) part water, at 77°F (25°C), through a 1/4-inch (6 mm) gear pump operating 1750 rpm for 10 minutes with no significant separation or coagulation.

Two-to-One Dilution Emulsion Properties

Properties	Specification	Limits
In Ready-to-Apply Form, two parts concentrate to one part water, by volume		
Saybolt Furol Viscosity at 77°F (25°C)	ASTM D244	10 – 50 seconds
Residue by Distillation or Evaporation	ASTM D244	38% minimum
Pumping Stability ¹		Pass

¹ Pumping stability is tested by pumping one pint (475 ml) of seal coat diluted one (1) part concentrate to one (1) part water, at 77°F (25°C), through a 1/4-inch (6 mm) gear pump operating 1750 rpm for 10 minutes with no significant separation or coagulation.

The asphalt material base residue shall contain not less than 20% gilsonite, or untaite and shall not contain any tall oil pitch or coal tar material. The material shall be compatible with asphaltic concrete, and have a 5-year minimum proven performance record at airports with similar climatic conditions. Curing time, under recommended application conditions, shall not exceed eight (8) hours.

Emulsion Residue by Distillation or Evaporation Tests

Properties	Specification	Limits
Viscosity at 275°F (135°C)	ASTM D4402	1750 cts maximum
Solubility in 1, 1, 1 trichloroethylene	ASTM D2042	97.5% minimum
Penetration	ASTM D5	50 dmm maximum
Asphaltenes	ASTM D2007	15% minimum
Saturates	ASTM D2007	15% maximum
Polar Compounds	ASTM D2007	25% minimum
Aromatics	ASTM D2007	15% minimum

The Contractor shall furnish vendor's certified test reports showing that the material is the type, grade and quality specified for each load of asphalt material delivered to the project. The certification shall also show the shipment number, refinery, consignee, destination, contract number and date of shipment. The test reports and certification shall be delivered to the Engineer before permission is granted to use the material. The furnishing of the vendor's certified test report for the asphalt material shall not be interpreted as a basis for final acceptance. The manufacturer's material test report certification may be subject to verification by testing the material delivered for use on the project.

The asphalt material storage and handling temperature shall be between 50°F - 160°F (10°C - 70°C) and the material shall be protected from freezing, or whenever outside temperature drops below 40°F (4°C) for prolonged time periods.

608-2.3 Water. Water used in making the emulsion shall be potable, free from harmful soluble salts and chemicals, and at least 100°F (38°C).

608-2.4 Polymer. The polymer shall be a vinyl acrylic polymer approved for use by the asphalt material manufacturer. The Contractor shall submit manufacturer’s technical data, the manufacturer’s certification indicating that the polymer meets the requirements of the specification, and the asphalt material manufacturer’s approval of its use to the Engineer. The polymer must be approved for use by the Engineer and shall meet the following properties:

Polymer Properties

Properties	Limits
Solids Content	54 to 57%, Percent by Weight
Weight	8.9 to 9.8 pounds/gallon (1.07 to 1.17 kg/L)
pH	4.0 to 6.0
Particle Charge	Nonionic/Anionic
Mechanical Stability	Excellent
Film Forming Temperature, °C	+5°C, minimum
Tg, °C	22°C, maximum

If the Engineer determines that polymer is required, the Engineer shall verify that the vinyl acrylic polymer is approved for use by the asphalt material manufacturer. Polymer will generally increase cost, but it also increases durability. A lifecycle cost analysis may justify its use.

APPLICATION RATE

608-3.1 Material performance for runway and high-speed taxiway projects. The Contractor shall submit to the Engineer friction tests, from previous airport projects which used the seal coat materials in a similar environment, in accordance with AC 150/5320-12, at 40 or 60 mph (65 or 95 km/h) wet, showing, as a minimum; friction value of pavement surface prior to sealant application; two values, tested between 24 and 96 hours after application, with a minimum of 24 hours between tests; and one value tested at no less than 180 days or greater than 360 days after the application. The results of the two tests between 24 and 96 hours shall indicate friction is increasing at a rate to obtain similar friction value of the pavement surface prior to application, and the long term test shall indicate no apparent adverse effect with time relative to friction values and existing pavement surface. The Contractor shall submit to the Engineer a list of airports which meet the above requirements, as well as technical details on application rates, aggregate rates, and point of contact at these airports to confirm use and success of sealer with aggregate. Friction tests shall be submitted from no less than one of the airports on the list and each set of tests described above, must be from one project.

Seal coat material submittal without required friction performance will not be approved. Friction tests performed on this project cannot be used as a substitute of this requirement.

608-3.2 Test areas and test sections. A qualified manufacturer’s representative shall be present in the field to assist the Contractor in applying test areas and/or test sections to determine the appropriate application rate of both emulsion and sand to be approved by the Engineer.

If the Engineer has experience and is knowledgeable with the material, procedures, and equipment described in the specification, for test areas described in 608-3.2.a. the varying application rates recommended by the qualified manufacturer’s representative can be provided from a site visit which the representative observe pavement condition within one month prior to application.

A test area and/or section shall be applied for each differing HMA pavement surface identified in the project. The test area(s) and/or test section(s) shall be used to determine the material application rate(s) of both emulsion and sand prior to full production. The same equipment and method of operation shall be utilized on the test area(s) and/or test section(s) as will be utilized on the remainder of the work.

a. For taxiway, taxilane and apron surfaces. Prior to full application, the Contractor shall place test areas at varying application rates as advised by the manufacturer’s representative and acceptable to the Engineer to determine appropriate application rate(s). The test areas will be located on representative section(s) of the pavement to receive the asphalt surface treatment designated by the Engineer.

b. For runway and high speed exit taxiway surfaces. Prior to full application, the Contractor shall place a series of test sections a minimum of 300 feet (90 m) long by 12 feet (3.6 m) wide, or width of anticipated application, whichever is greater, at varying application rates as recommended by the manufacturer’s representative and acceptable to the Engineer to determine appropriate application rate(s). The area to be tested will be located on a representative section of the pavement to receive the asphalt surface treatment designated by the Engineer. Before beginning the test section(s), the skid resistance of the existing pavement shall be determined for each test section with a continuous friction measuring equipment (CFME). The skid resistance test after application shall be at approximately the same location as the test done on the existing pavement. The Contractor may begin testing the skid resistance of runway and high speed exit taxiway test sections after application of the asphalt surface treatment has fully cured. Aircraft shall not be permitted on the runway or high speed exit taxiway test sections for a minimum of 24 hours and until such time as the Contractor validates that its surface friction meets AC 150/5320-12. The results of the friction evaluation meet or exceed the Maintenance Planning levels provided in Table 3-2, “Friction Level Classification for Runway Pavement Surfaces,” in AC 150/5320-12, Measurement, Construction, and Maintenance of Skid-resistant Airport Pavement Surfaces, when tested at speeds of 40 and 60 mph (65 and 95 km/h) wet with approved CFME.

If the test section should prove to be unsatisfactory, necessary adjustments to the application rate, placement operations, and equipment shall be made. Additional test sections shall be placed and additional skid resistance tests performed and evaluated. Full production shall not begin without the Engineer’s approval of an appropriate application rate(s). Acceptable test sections shall be paid for in accordance with paragraph 608-8.1.

For projects calling for application of the asphalt surface treatment on runway and high speed exit taxiway, the Engineer shall document skid resistance in accordance with AC 150/5320-12, Measurement, Construction, and Maintenance of Skid-Resistant Airport Pavement Surfaces, prior to full application.

The test areas/sections afford the Contractor and the Engineer an opportunity to determine the quality of the mixture in place as well as the performance of the equipment.

If operational conditions preclude placement of a test section on the pavement to be seal coated, it may be applied on a pavement with similar surface texture.

CONSTRUCTION METHODS

608-4.1 Worker safety. The seal coat product shall be handled with caution. The Contractor shall obtain a Material Safety Data Sheet (MSDS) for both the asphalt emulsion product and sand and require workmen to follow the manufacturer's recommended safety precautions.

608-4.2 Weather limitations. The asphalt emulsion shall be applied only when the existing pavement surface is dry and when the weather is not foggy, rainy, or when the wind velocity will prevent the uniform application of the material. No material shall be applied when dust or sand is blowing or when rain is anticipated within eight (8) hours of application completion. The atmospheric temperature and the pavement surface temperature shall both be above 60°F (16°C) and rising. During application, account for wind drift. Cover existing buildings, structures, runway edge lights, taxiway edge lights, informational signs, retro-reflective marking and in-pavement duct markers as necessary to protect against overspray before applying the emulsion. Should emulsion get on any light or marker fixture, promptly clean the fixture. If cleaning is not satisfactory to the Engineer, the Contractor shall replace any light, sign or marker with equivalent equipment at no cost to the Owner.

608-4.3 Equipment and tools. The Contractor shall furnish all equipment, tools, and machinery necessary for the performance of the work.

a. Pressure distributor. The emulsion shall be applied with a manufacturer-approved computer rate-controlled asphalt distributor. The equipment shall be in good working order and contain no contaminants or diluents in the tank. Spreader bar tips must be clean, free of burrs, and of a size to maintain an even distribution of the emulsion. Any type of tip or pressure source is suitable that will maintain predetermined flow rates and constant pressure during the application process with application speeds under eight (8) miles per hour (13 km per hour) or seven (700) feet per minute (213 m per minute). Test the equipment under pressure for leaks and to ensure it is in good working order before use.

The distributor truck shall be equipped with a 12-foot (3.7-m), minimum, spreader bar with individual nozzle control. The distributor truck shall be capable of specific application rates in the range of 0.05 to 0.25 gallons per square yard (0.15 to 0.80 liters per square meter). These rates shall be computer-controlled rather than mechanical. The distributor truck shall have an easily accessible thermometer that constantly monitors the temperature of the emulsion, and have an operable mechanical tank gauge that can be used to cross-check the computer accuracy.

A distributor truck shall be provided, if necessary, equipped to effectively heat and mix the material to the required temperature prior to application. Heating and mixing shall be done in accordance with the manufacturer's recommendations. Care shall be taken not to overheat or over mix the material.

The distributor shall be equipped to hand spray the emulsion in areas identified either on the plans or by the Engineer.

b. Aggregate spreader. The asphalt distributor truck will be equipped with an aggregate spreader mounted to the distributor truck that can apply sand to the emulsion in a single pass operation without driving through wet emulsion. The aggregate spreader shall be equipped with a variable control system capable of uniformly distributing the sand at the specified rate at varying application widths and speeds. The sander shall have a minimum hopper capacity of at least 3,000 pounds (1361 kg) of sand. Push-type hand sanders will be allowed for use around lights, signs and other obstructions.

c. Power broom/blower. A power broom and/or blower shall be provided for removing loose material from the surface to be treated.

d. Equipment calibration. The Contractor shall calibrate the equipment using either of the following procedures:

(1) **First procedure.** The Contractor shall furnish a State Calibration Certification for the emulsified asphalt distributor, from any state providing that service, or other acceptable agency certification approved by the Engineer, and the calibration date shall have been within six (6) months of the contract award, or up to 12 months if supporting documents substantiate continuous work using the same distributor.

(2) **Second procedure.** The Contractor shall furnish all equipment, materials and labor necessary to calibrate the emulsified asphalt distributor and the aggregate spreader. Perform all calibrations with the approved job materials and prior to applying the specified coatings to the prepared surface. Perform calibration of the emulsified asphalt distributor in accordance with ASTM D2995. Perform work to calibrate the tank and measuring devices of the distributor. Perform inspection and calibration at the beginning of the work and at least once a day during construction.

608-4.4 Preparation of asphalt pavement surfaces. Clean pavement surface immediately prior to placing the seal coat by sweeping, flushing well with water leaving no standing water, or a combination of both, so that it is free of dust, dirt, grease, vegetation, oil or any type of objectionable surface film. Remove oil or grease that has not penetrated the asphalt pavement by scraping or by scrubbing with a detergent, then wash thoroughly with clean water. After cleaning, treat these areas with the oil spot primer. Any additional surface preparation, such as crack repair, shall be in accordance with paragraph 101-3.6.

a. New asphalt pavement surfaces. Allow new asphalt pavement surfaces to cure so that there is no concentration of oils on the surface. A period of at least 30 days at 70°F (21°C) daytime temperatures shall elapse between the placement of a hot mixed asphalt concrete surface course and the application of the surface treatment.

Perform a water-break-free test to confirm that the surface oils have degraded and dissipated. (Cast approximately one gallon (4 liters) of clean water out over the surface. The water should sheet out and wet the surface uniformly without crawling or showing oil rings.) If signs of crawling or oil rings are apparent on the pavement surface, additional time must be allowed for additional curing and retesting of the pavement surface prior to treatment.

608-4.5 Emulsion mixing. The application emulsion shall be obtained by blending asphalt material concentrate, water and polymer, if specified. Always add heated water to the asphalt material concentrate, never add asphalt material concentrate to heated water. Mix one part heated water to [one part] [two parts] asphalt material concentrate, by volume.

If polymer is required, add 1% polymer, by volume, to the emulsion mix. If the polymer is added to the emulsion mix at the plant, submit weigh scale tickets to the Engineer. As an option, the polymer may be added to the emulsion mix at the job site provided the polymer is added slowly while the circulating pump is running. The mix must be agitated for a minimum of 15 minutes or until the polymer is mixed to the satisfaction of the Engineer.

608-4.6 Application of asphalt emulsion. The asphalt emulsion shall be applied using a pressure distributor upon the properly prepared, clean and dry surface at the application rate recommended by the manufacturer's representative and approved by the Engineer from the test area/sections evaluation for each designated treatment area. The asphalt emulsion should be applied at a temperature between 130°F (54°C) and 160°F (70°C) or in accordance with the manufacturer's recommendation.

Pavement surfaces which have excessive runoff of seal coat due to excessive amount of material being applied or excessive surface grade shall be treated in two or more applications to the specified application rate at no additional cost to the Owner. Each additional application shall be performed after the prior application of material has penetrated into the pavement.

If low spots and depressions greater than 1/2 inch (12 mm) in depth in the pavement surface cause ponding or puddling of the applied materials, the pavement surface shall be broomed with a broom drag. Brooming shall continue until the pavement surface is free of any pools of excess material. Ponding and/or puddling shall not cause excessive pavement softening and/or additional distress. The Engineer shall inspect and approve areas after brooming.

During all applications, the surfaces of adjacent structures shall be protected to prevent their being spattered or marred. Asphalt materials shall not be discharged into borrow pits or gutters or on the airport area.

608-4.7 Application of aggregate material. Immediately following the application of the asphalt emulsion or as directed by the Engineer, sand at the rate recommended by the manufacturer's representative and approved by the Engineer from the test area/sections evaluation for each designated application area, shall be spread uniformly over the asphalt emulsion. The aggregate shall be spread to the same width of application as the asphalt material and shall not be applied in such thickness as to cause blanketing.

Sprinkling of additional aggregate material, and spraying additional asphalt material over areas that show up having insufficient cover or bitumen, shall be done by hand whenever necessary. In areas where hand work is necessitated, the sand shall be applied before the sealant begins to break.

Sanding shall be performed to prevent excessive amounts of sand from accumulating on the pavement prior to the emulsion being applied. The Contractor shall clean areas with excess or loose sand and dispose of off airport property.

QUALITY CONTROL

608-5.1 Manufacturer's representation. The manufacturer's representative shall have knowledge of the material, procedures, and equipment described in the specification and shall be responsible for determining the application rates and shall oversee the preparation and application of the seal coat product. Documentation of the manufacturer representative's experience and knowledge for applying the seal coat product shall be furnished to the Engineer a minimum of 10 work days prior to placement of the test sections. The cost of the manufacturer's representative shall be included in the bid price.

608-5.2 Contractor qualifications. The Contractor shall provide the Engineer Contractor qualifications for applicators, personnel and equipment. The Contractor shall also provide documentation that the Contractor is qualified to apply the seal coat and to have made at least three (3) applications similar to this project in the past two (2) years.

MATERIAL ACCEPTANCE

608-6.1 Friction tests. Friction tests in accordance with AC 150/5320-12, Measurement, Construction, and Maintenance of Skid-Resistant Airport Pavement Surfaces, shall be accomplished on all runway and high-speed taxiways that have received a seal coat. The Contractor shall coordinate testing with the Engineer. Each test includes performing friction tests at 40 mph and 60 mph (65 or 95 km/h) both wet, 15 feet (4.5 m) to each side of runway centerline. Friction test shall be run within 30 days prior to application of the seal coat to runway and/or high-speed taxiways and after application of the seal coat. The Engineer shall be present for testing. The Contractor shall provide a written report of friction test results.

METHOD OF MEASUREMENT

608-7.1 Asphalt surface treatment. The quantity of asphalt surface treatment shall be measured by the square yards [square meters] of material applied in accordance with the plans and specifications and accepted by the Engineer.

The Contractor must furnish the Engineer with the certified weigh bills when materials are received for the asphalt material used under this contract. The Contractor must not remove material from the tank car or storage tank until initial amounts and temperature measurements have been verified.

BASIS OF PAYMENT

608-8.1 Payment shall be made at the contract unit price per square yard [square meter] for the asphalt surface treatment applied and accepted by the Engineer, and the contract unit price per lump sum for runway friction testing. This price shall be full compensation for all surface preparation, furnishing all materials, delivery and application of these materials, for all labor, equipment, tools, and incidentals necessary to complete the item, including the friction testing and all work required to meet AC 150/5320-12, and any costs associated with furnishing a qualified manufacturer's representative to assist with test strips.

Payment will be made under:

The Engineer may need to add additional Pay Items for multiple treatment areas and dilution rates shown on the plans per paragraph 608-1.2.

Item P-608-8.1	Asphalt Surface Treatment – per square yard [square meter]
Item P-608-8.2	Runway and High Speed Exit Taxiway Friction Testing – per lump sum

MATERIAL REQUIREMENTS

ASTM C117	Standard Test Method for Materials Finer than 75- μ m (No. 200) Sieve in Mineral Aggregates by Washing
ASTM C136	Standard Test Method for Sieve Analysis of Fine and Coarse Aggregates
ASTM D5	Standard Test Method for Penetration of Bituminous Materials
ASTM D244	Standard Test Methods and Practices for Emulsified Asphalts
ASTM D2007	Standard Test Method for Characteristic Groups in Rubber Extender and Processing Oils and Other Petroleum-Derived Oils by the Clay-Gel Absorption Chromatographic Method
ASTM D2042	Standard Test Method for Solubility of Asphalt Materials in Trichloroethylene
ASTM D2995	Standard Practice for Estimating Application Rate of Bituminous Distributors
ASTM D4402	Standard Test Method for Viscosity Determination of Asphalt at Elevated Temperatures Using a Rotational Viscometer
ASTM D5340	Standard Test Method for Airport Pavement Condition Index Surveys

AC 150/5320-12	Measurement, Construction, and Maintenance of Skid-Resistant Airport Pavement Surfaces
AC 150/5320-17	Airfield Pavement Surface Evaluation and Rating (PASER) Manuals
AC 150/5380-6	Guidelines and Procedures for Maintenance of Airport Pavements

END OF ITEM P-608

Intentionally Left Blank

Item P-609 Bituminous Surface Treatments

DESCRIPTION

This method of treatment may leave excessive amounts of loose aggregate on the surface of the pavement and therefore is only recommended for use on pavements other than airfield pavements. This type of surface sealant for use on general aviation airports serving small airplanes 12,500 lbs (5670 kg) or less will require the submission of a modification to standards. Bituminuous surface treatments may be used on airfield tertiary pavements including overruns, roads, and other general applications which are not subject to routine turbo-prop and jet engine aircraft.

609-1.1 This item shall consist of a bituminous surface treatment (chip seal/single surface treatment and multiple surface treatment) as a wearing course composed of [a single application] [multiple applications] of asphalt material and aggregate cover placed on the prepared primed base or properly cured wearing surface, in accordance with these specifications, and shall conform to the dimensions and typical cross-section shown on the plans or as directed by the Engineer.

609-1.2 Quantities of materials per square yard (square meter). The approximate amounts of materials per square yard (square meter) for the bituminous surface treatment shall be as provided in the table below for the treatment specified on the plans or in the special provision. The exact amounts to be used shall be determined by the Engineer.

Quantities Of Materials

Application No.	Quantity of Aggregate lb/square yard (kg/sq m)	Quantity of Asphalt gal/square yard (l/sq m)	Type of Asphalt¹
1	40-50 (21.7-27.1)	0.35-0.45 (1.58-2.03)	Asphalt cement
		0.40-0.50 (1.81-2.26)	Emulsified asphalt
2	20-25 (10.9-13.6)	0.15-0.25 (0.68-1.13)	Asphalt cement
		0.20-0.35 (0.90-1.58)	Emulsified asphalt
3	15-20 (8.1-10.9)	0.15-0.20 (0.68-0.90)	Emulsified asphalt

¹ See paragraph 609-2.2 for grades of asphalt and spraying temperatures.

The quantities of asphalt shown in the table cover the average range of conditions that include primed granular bases and old pavement surfaces. The quantities and types of materials should take into consideration local conditions and experience.

The lower application rates shown in the table should be used for aggregate having gradations on the fine side of the specified limits. The higher application rates should be used for aggregate having gradations on the coarse side of the specified limits.

The asphalt content selected should reflect the condition of the pavement. If the pavement is highly oxidized, badly cracked, or coarse more asphalt should be used.

MATERIALS

609-2.1 Aggregate materials. Coarse aggregate shall consist of sound, tough, durable particles, free from films of matter that would prevent thorough coating and bonding with the bituminous material and free from organic matter and other deleterious substances. The percentage of wear shall not be greater than 40% when tested in accordance with ASTM C131. The sodium sulfate soundness loss shall not exceed 12%, or the magnesium sulfate soundness loss shall not exceed 18%, after five cycles, when tested in accordance with ASTM C88. Clay lumps and friable particles shall not exceed 1.0% when tested in accordance with ASTM C142.

Aggregate shall contain at least 90% by weight of individual pieces having two or more fractured faces. The area of each face shall be equal to at least 75% of the smallest mid-sectional area of the piece. When two fractured faces are contiguous, the angle between the planes of fractures shall be at least 30 degrees to count as two fractured faces. Fractured faces shall be achieved by crushing.

The aggregate shall not contain more than a total of 8%, by weight, of flat particles, elongated particles, and flat and elongated particles, when tested in accordance with ASTM D4791 with a value of 3:1.

Slag shall be air-cooled, blast furnace slag, and shall have a compacted weight of not less than 70 pounds per cubic foot (1.12 mg/cubic meter) when tested in accordance with ASTM C29.

The crushed aggregate for the applications shall meet the requirements for gradation given in the table below when tested in accordance with ASTM C136.

Requirements For Gradation Of Aggregate

Sieve Designation (square openings)	Percentage by Weight Passing Sieves		
	Aggregate No. 1	Aggregate No. 2	Aggregate No. 3
1 inch (25 mm)	100		
3/4 inch (19 mm)	90-100	100	
1/2 inch (12 mm)	20-55	90-100	100
3/8 inch (9 mm)	0-15	40-70	85-100
No. 4 (4.75 mm)	0-5	0-15	10-30
No. 8 (2.36 mm)		0-5	0-10
No. 16 (1.18 mm)			0-5

The gradations in the table represent the limits that shall determine suitability of aggregate for use for the specified applications from the sources of supply. The final gradations decided on, within the limits designated in the table, shall be uniformly graded from coarse to fine.

The aggregate shall show no evidence of stripping or swell when tested in accordance with American Association of State Highway and Transportation Officials (AASHTO) T182. The use of anti-strip agents for the control of stripping shall be used if necessary.

609-2.2 Asphalt material. The types, grades, controlling specifications, and application temperatures for the bituminous materials are shown in the table below. The Engineer shall designate the specific material to be used.

Asphalt Materials

Type and Grade	Specification	Spraying Temperature ¹	
		Degrees F	Degrees C
Asphalt Cement			
AC 2.5, AC-5	ASTM D3381	275+	135+
AR-1000, 2000	ASTM D3381	280+	140+
120-150, 200-300	ASTM D946	270+	130+
Emulsified Asphalt			
RS-1	ASTM D977	70-140	20-60
RS-2	ASTM D977	125-175	50-80
MS-1, HFMS-1	ASTM D977	70-160	20-70
CRS-1	ASTM D2397	125-175	50-80
CRS-2	ASTM D2397	125-175	50-80

¹ The maximum temperature for asphalt cements shall be below that at which fogging occurs.

609-2.3 Sampling and Testing. Sampling and testing is the responsibility of the Contractor. Sampling and testing shall be performed by an approved commercial testing laboratory, or by the Contractor, subject to approval by the Engineer. Sampling shall be in accordance with ASTM D75 for aggregates and ASTM D140 for asphalt material, unless otherwise directed. Perform aggregate gradation tests on each sample in accordance with ASTM C136. Perform all other aggregate tests on the initial source samples and repeat tests when there is a change of source. Perform sieve analyses daily from material samples. The tests shall include an analysis of each gradation of material. Perform tests in sufficient number to ensure that materials meet specified requirements. Submit copies of test results, within 24 hours after completion of each test.

CONSTRUCTION METHODS

609-3.1 Weather limitations. Asphalt material shall be applied only when the existing surface or base course is dry or contains moisture not in excess of the amount that will permit uniform distribution and the desired adhesion. Bituminous surface treatment shall not be applied when either the atmospheric temperature, in the shade, is below 60°F (16°C) or the pavement surface to be treated is below 70°F (21°C) unless otherwise directed by the Engineer. No material shall be applied when rain is imminent or when dust or sand is blowing.

609-3.2 Operation of pits and quarries. The aggregate material shall be obtained from sources approved by the Engineer. The Contractor shall make all necessary arrangements for obtaining the material, and all work involved in clearing and stripping pits or quarries and handling unsuitable material shall be performed by the Contractor at his/her own expense. The material in the pits shall be handled so that a uniform and satisfactory product shall be secured. Unless otherwise directed, pits shall be adequately drained and shall be left in a neat and presentable condition with all slopes dressed uniformly. Quarries shall be left as neat and presentable as practicable.

609-3.3 Equipment and tools. The Contractor shall furnish all equipment, tools, and machines necessary for the performance of the work.

a. Asphalt distributors. The distributors shall have pneumatic tires of such width and number that the load produced on the base and surface does not exceed 65.0 pounds per inch (4.5 kg per sq cm) of tire width. Distributors shall be designed and equipped to distribute asphalt material uniformly at even heat on various widths of surface at readily determined and controlled rates ranging from 0.05 to 2.00 gallons/square yard (0.20 to 9.1 L/square meter), with a pressure range of 25 to 75 psi (172 to 517 kPa). The allowable variation from any specified rate shall not exceed 5%. Distributor equipment shall include a separate power unit for the bitumen pump, full-circulation spray bars, tachometer, pressure gauges, volume-measuring devices, a thermometer for reading the temperature of tank contents, and a hose attachment suitable for applying asphalt material to areas not accessible with distributor spray bar. The distributor shall be equipped for circulation and agitation of asphalt material during the heating process.

b. Aggregate spreader. The aggregate spreader shall be a self-propelled mechanical spreader or truck-attached mechanical spreader capable of uniformly distributing aggregate at the specified rates.

c. Power Rollers. Power rollers shall be steel-wheeled or pneumatic-tired type, conforming to the following requirements:

(1) Steel-wheeled rollers shall have at least one steel drum and weigh a minimum of 5 tons (4 metric tons). Steel wheels of the rollers shall be equipped with adjustable scrapers.

(2) Pneumatic-tired rollers shall be self-propelled and have wheels mounted on two axles in such manner that the rear tires will not follow in the tracks of the forward group. Tires shall be uniformly inflated to not less than 60 psi (414 kPa) nor more than 80 psi (552 kPa) pressure. The pneumatic-tired rollers shall be equipped with boxes or platforms for ballast loading and shall be loaded so that the tire print width of each wheel is not less than the clear distance between tire prints.

d. Power broom. A power broom and/or blower shall be provided for removing loose material from the surface to be treated.

609-3.4 Preparation of asphalt pavement surfaces. Clean pavement surface immediately prior to placing the seal coat by sweeping, flushing well with water leaving no standing water, or a combination of both, so that it is free of dust, dirt, grease, vegetation, oil or any type of objectionable surface film. Remove oil or grease that has not penetrated the asphalt pavement by scraping or by scrubbing with a detergent, then wash thoroughly with clean water. After cleaning, treat these areas with the oil spot primer. Any additional surface preparation, such as crack repair, shall be in accordance with paragraph 609-3.6.

609-3.5 Trial application. [A trial application is not required.]

[Preliminary to providing a complete surface treatment, treat [three] [] lengths of at least 100 feet (30 m) each for the full width of the distributor bar. Use the appropriate typical application rates specified herein for one surface treatment trial. Make other surface treatment trials using various amounts of materials as may be deemed necessary. A qualified manufacturer's representative shall be present

in the field to assist the Contractor in applying test areas and/or test sections to determine the optimum application rate of both emulsion and sand.]

609-3.6 Application of asphalt material. Asphalt material shall be applied on the prepared surface at the rate and temperature specified using a pressure distributor to obtain uniform distribution over all surfaces treated. Unless the distributor is equipped to obtain a satisfactory result at the junction of previous and subsequent applications, building paper shall be spread on the surface for a sufficient distance back from the ends of each application so that flow through the sprays may be started and stopped on the paper in order that all sprays will operate at full force on the surface treated. Immediately after application, remove and destroy the building paper. Areas inaccessible to the distributor shall be properly treated with asphalt material using the hose attachment. Protect adjacent structures to prevent their being spattered or marred. To ensure proper drainage, the strips shall begin along the centerline of the pavement on a crowned section or on the high side of the pavement with a one-way slope. Asphalt materials shall not be discharged into borrow pits or gutters or upon the airport area.

609-3.7 Application of aggregate material. Immediately after the application of the asphalt material, the aggregates at the rate specified for each designated application shall be spread uniformly over the asphalt material. Trucks spreading aggregate shall be operated backward so that the asphalt material will be covered before the truck wheels pass over it. The aggregate shall be spread in the same width of application as the asphalt material and shall not be applied in such thickness as to cause blanketing. Spread aggregate evenly by hand on all areas missed by the mechanical spreader. When hand spreading is employed on inaccessible areas, spread aggregate directly from trucks. Additional aggregate shall be spread by hand over areas having insufficient cover, and spreading shall continue during these operations when necessary. Back-spotting or sprinkling of additional aggregate material, and pouring additional asphalt material over areas that show up having insufficient cover or bitumen, shall be done by hand whenever necessary. Additional spreading of aggregate material shall be done by means of a broom drag, a power broom, or other approved equipment as directed by the Engineer.

Immediately after spreading each application, the aggregate shall be rolled. The rolling shall be continued until no more aggregate material can be worked into the surface. In the construction of the second and third application, blading with the wire-broom moldboard attachment or broom dragging shall begin as soon as possible after the rolling has started and after the surface has set sufficiently to prevent excessive marking. Further blading and rolling on the strip being placed and on adjacent strips previously placed, shall be done as often as necessary to keep the aggregate material uniformly distributed. These operations shall be continued until the surface is evenly covered and cured to the satisfaction of the Engineer.

Succeeding applications shall not be applied until the preceding application has set and in no case until at least 24 hours have elapsed. Remove excess aggregate prior to the second application of asphalt material. If the treated surface is excessively moistened by rain, allow the surface to dry for such time as deemed necessary. If dust, dirt, or other foreign matter accumulates on the surface between the applications, the Contractor shall be required to sweep and clean the surface as specified. The asphalt material and the aggregate shall be spread on the clean and properly cured surface and handled as required. Extreme care shall be taken in all applications to avoid brooming or tracking dirt or any foreign matter on any portion of the pavement surface under construction.

All surplus aggregate from the final application shall be swept off the surface and removed prior to final acceptance of the work.

609-3.8 Correction of defects. Any defects, such as raveling, low centers, lack of uniformity, or other imperfections shall be corrected immediately to the satisfaction of the Engineer.

All defective materials resulting from over-heating, improper handling, or application shall be removed by the Contractor and replaced with approved materials per these specifications.

609-3.9 Asphalt material Contractor's responsibility. The Contractor shall provide a statement of source and character of the proposed asphalt material which must be submitted to and approved by the Engineer before any shipment of asphalt materials to the project.

The Contractor shall furnish vendor's certified test reports for each carload, or equivalent, of bitumen shipped to the project. The test reports shall be provided to and approved by the Engineer before the asphalt material is applied. If the asphalt material does not meet the specifications, it shall be replaced at the Contractor's expense. The furnishing of the vendor's certified test report for the asphalt material shall not be interpreted as a basis for final acceptance.

609-3.10 Freight and weigh bills. The Contractor shall submit waybills and delivery tickets during progress of the work. Before the final statement is allowed, file with the Engineer certified waybills and certified delivery tickets for all asphalt materials used in the construction of the pavement covered by the contract. These submittals are required for Unit Pricing bid only. Do not remove asphalt material from storage until the initial outage and temperature measurements have been taken. The delivery or storage units will not be released until the final outage has been taken.

609-3.11 Protection. Keep all traffic off surfaces freshly treated with asphalt material. Provide sufficient warning signs and barricades so that traffic will not travel over freshly treated surfaces. Protect the treated areas from traffic for at least 24 hours after final application of asphalt material and aggregate, or for such time as necessary to prevent picking up. Immediately prior to opening to traffic, roll the entire treated area with a self-propelled pneumatic-tired roller.

METHOD OF MEASUREMENT

609-4.1 The asphalt material shall be measured by the [gallon (liter)][ton (kg)]. Volume shall be corrected to the volume at 60°F (16°C) in accordance with ASTM D1250 for cutback asphalt and Table IV-3 of The Asphalt Institute Manual MS-6 for emulsified asphalt. Water added to emulsified asphalt will not be measured for payment.

609-4.2 The quantity of aggregate materials for the first application shall be the number of tons (kg) of aggregate used for the accepted work.

609-4.3 The quantity of aggregate material for the second application shall be the number of tons (kg) of aggregate used for the accepted work.

609-4.4 The quantity of aggregate material for the third application to be paid for shall be the number of tons (kg) of aggregate used for the accepted work.

BASIS OF PAYMENT

609-5.1 Payment shall be made at the contract unit price per [gallon][ton] for asphalt material for surface treatment and per ton for the first, second and third aggregate application. These prices shall be full compensation for furnishing all materials and for all preparation, hauling and application of the materials, and for all labor, equipment, tools, and incidentals necessary to complete the item.

Payment will be made under:

Item P-609-5.1	Asphalt Material - per [gallon (liter)][ton (kg)]
Item P-609-5.2	First Application Aggregate - per ton (kg)
Item P-609-5.3	Second Application Aggregate - per ton (kg)
Item P-609-5.4	Third Application Aggregate - per ton (kg)

TESTING REQUIREMENTS

ASTM C29	Standard Test Method for Bulk Density (“Unit Weight”) and Voids in Aggregate
ASTM C88	Standard Test Method for Soundness of Aggregates by Use of Sodium Sulfate or Magnesium Sulfate
ASTM C131	Standard Test Method for Resistance to Degradation of Small-Size Coarse Aggregate by Abrasion and Impact in the Los Angeles Machine
ASTM C136	Standard Test Method for Sieve or Screen Analysis of Fine and Coarse Aggregates
ASTM C142	Standard Test Method for Clay Lumps and Friable Particles in Aggregates
ASTM D75	Standard Practice for Sampling Aggregates
ASTM D140	Standard Practice for Sampling Bituminous Materials
ASTM D4791	Standard Test Method for Flat Particles, Elongated Particles, or Flat and Elongated Particles in Coarse Aggregate
AASHTO T182	Standard Method of Test for Coating and Stripping of Bitumen-Aggregate Mixtures

MATERIAL REQUIREMENTS

ASTM D946	Standard Specification for Penetration-Graded Asphalt Cement for Use in Pavement Construction
ASTM D977	Standard Specification for Emulsified Asphalt
ASTM D1250	Standard Guide for Use of the Petroleum Measurement Tables
ASTM D2397	Standard Specification for Cationic Emulsified Asphalt
ASTM D3381	Standard Specification for Viscosity-Graded Asphalt-Cement for Use in Pavement Construction
Asphalt Institute Manual MS-6 Table IV-3	Asphalt Pocketbook of Useful Information (Temperature-Volume Corrections for Emulsified Asphalts)

END OF ITEM P-609

Intentionally Left Blank

Item P-610 Structural Portland Cement Concrete

Use P-610 for all signage bases.

DESCRIPTION

610-1.1 This item shall consist of [plain] [reinforced] structural portland cement concrete (PCC), prepared and constructed in accordance with these specifications, at the locations and of the form and dimensions shown on the plans. This specification shall be used for all structural and miscellaneous concrete including signage bases.

MATERIALS

610-2.1 General. Only approved materials, conforming to the requirements of these specifications, shall be used in the work. Materials may be subject to inspection and tests at any time during their preparation or use. The source of all materials shall be approved by the Engineer before delivery or use in the work. Representative preliminary samples of the materials shall be submitted by the Contractor, when required, for examination and test. Materials shall be stored and handled to ensure preservation of their quality and fitness for use and shall be located to facilitate prompt inspection. All equipment for handling and transporting materials and concrete must be clean before any material or concrete is placed in them.

The use of pit-run aggregates shall not be permitted unless the pit-run aggregate has been screened and washed, and all fine and coarse aggregates stored separately and kept clean. The mixing of different aggregates from different sources in one storage stockpile or alternating batches of different aggregates shall not be permitted.

a. Reactivity. Fine and Coarse aggregates to be used in all concrete shall be evaluated and tested by the Contractor for alkali-aggregate reactivity in accordance with both ASTM C1260 and C1567. Aggregate and mix proportion reactivity tests shall be performed for each project.

(1) Coarse and fine aggregate shall be tested separately in accordance with ASTM C1260. The aggregate shall be considered innocuous if the expansion of test specimens, tested in accordance with ASTM C1260, does not exceed 0.10% at 28 days (30 days from casting).

(2) Combined coarse and fine aggregate shall be tested in accordance with ASTM C1567, modified for combined aggregates, using the proposed mixture design proportions of aggregates, cementitious materials, and/or specific reactivity reducing chemicals. If lithium nitrate is proposed for use with or without supplementary cementitious materials, the aggregates shall be tested in accordance with Corps of Engineers (COE) CRD C662. If lithium nitrate admixture is used, it shall be nominal 30% ±0.5% weight lithium nitrate in water.

(3) If the expansion of the proposed combined materials test specimens, tested in accordance with ASTM C1567, modified for combined aggregates, or COE CRD C662, does not exceed 0.10% at 28 days, the proposed combined materials will be accepted. If the expansion of the proposed combined materials test specimens is greater than 0.10% at 28 days, the aggregates will not be accepted unless adjustments to

the combined materials mixture can reduce the expansion to less than 0.10% at 28 days, or new aggregates shall be evaluated and tested.

610-2.2 Coarse aggregate. The coarse aggregate for concrete shall meet the requirements of ASTM C33. The Engineer may consider and reserve final approval of other State classification procedures addressing aggregate durability.

Coarse aggregate shall be well graded from coarse to fine and shall meet the following gradation shown in the table below when tested per ASTM C136.

Gradation For Coarse Aggregate

Sieve Designation (square openings)	Percentage by Weight Passing Sieves
	*
No. 4 to 3/4 in. (4.75-19 mm)	*
No. 4 to 1 in. (4.75-25 mm)	*
No. 4 to 1-1/2 in. (4.75-38 mm)	*

The Engineer shall specify one of the following gradations and insert in table above:

Gradation For Coarse Aggregate

Sieve Designation (square openings)	Percentage by Weight Passing Sieves						
	2" (50 mm)	1-1/2" (38 mm)	1" (25 mm)	3/4" (19 mm)	1/2" (12 mm)	3/8" (9 mm)	No. 4
No. 4 to 3/4 in. (4.75-19 mm)			100	90-100		20-55	0-10
No. 4 to 1 in. (4.75-25 mm)		100	90-100		25-60		0-10
No. 4 to 1-1/2 in. (4.75-38 mm)	100	95-100		35-70		10-30	0-5

610-2.2.1 Aggregate susceptibility to durability (D) cracking. [Aggregates that have a history of D-cracking shall not be used.]

[Coarse aggregate may be accepted from sources that have a 20 year service history for the same gradation to be supplied with no durability issues.

a. Material currently being produced shall have a durability factor ≥ 95 using ASTM C666. Coarse aggregates that are crushed granite, calcite cemented sandstone, quartzite, basalt, diabase, rhyolite or trap rock are considered to meet the D-cracking test but must meet all other quality tests. Aggregates meeting State Highway Department material specifications may be acceptable with concurrence of the FAA.

b. The Contractor shall submit a current certification that the aggregate does not have a history of D-cracking and that the aggregate meets the state specifications for use in PCC pavement for use on interstate highways. Certifications, tests and any history reports must be for the same gradation as being proposed for use on the project. Certifications which are not dated or which are over one (1) year old or which are for different gradations will not be accepted. Test results will only be accepted when tests were performed by a State Department of Transportation (DOT) materials laboratory or an accredited laboratory.]

Select the second option above if project is in an area of known D-cracking problems.

610-2.3 Fine aggregate. The fine aggregate for concrete shall meet the requirements of ASTM C33.

The fine aggregate shall be well graded from fine to coarse and shall meet the requirements of the table below when tested in accordance with ASTM C136:

Gradation For Fine Aggregate

Sieve Designation (square openings)	Percentage by Weight Passing Sieves
3/8 inch (9 mm)	100
No. 4 (4.75 mm)	95-100
No. 16 (1.18 mm)	45-80
No. 30 (0.60 mm)	25-55
No. 50 (0.30 mm)	10-30
No. 100 (0.15 mm)	2-10

Blending will be permitted, if necessary, to meet the gradation requirements for fine aggregate. Fine aggregate deficient in the percentage of material passing the No. 50 mesh sieve may be accepted, if the deficiency does not exceed 5% and is remedied by the addition of pozzolanic or cementitious materials other than Portland cement, as specified in paragraph 610-2.6, Admixtures, in sufficient quantity to produce the required workability as approved by the Engineer.

610-2.4 Cement. Cement shall conform to the requirements of [] Type [].

The Engineer shall specify one or more of the following ASTM Standards and Type:

ASTM C150 - Type I, IA, II, IIA, III, IIIA; or

ASTM C595 - Type IP, IP-A, IS, IS-A.

Other cements may be specified with concurrence of the FAA.

The chemical requirements for all cement types specified should meet suitable criteria for deleterious activity. Low alkali cements (less than 0.6% equivalent

alkalies, the low reactivity option in ASTM C595, or Option R in ASTM C1157) shall be specified when no other mitigating measures are added.

Total Alkalies (Na₂O and K₂O) of the cement secured for the production of concrete shall be independently verified in accordance with ASTM C114.

If aggregates are deemed innocuous when tested in accordance with paragraph 610-2.1.a.1 and accepted in accordance with paragraph 610-2.1.a.3, higher equivalent alkali content in the cement may be allowed if approved by the Engineer and FAA. If cement becomes partially set or contains lumps of caked cement, it shall be rejected. Cement salvaged from discarded or used bags shall not be used.

The Contractor shall furnish vendors' certified test reports for each carload, or equivalent, of cement shipped to the project. The report shall be delivered to the Engineer before use of the cement is granted. All test reports shall be subject to verification by testing sample materials received for use on the project.

610-2.5 Water. The water used in concrete shall be fresh, clean and potable; free from injurious amounts of oils, acids, alkalies, salts, organic materials or other substances deleterious to concrete.

610-2.6 Admixtures and supplementary cementitious material. The Contractor shall submit certificates indicating that the material to be furnished meets all of the requirements indicated below. In addition, the Engineer may require the Contractor to submit complete test data from an approved laboratory showing that the material to be furnished meets all of the requirements of the cited specifications. Subsequent tests may be made of samples taken by the Engineer from the supply of the material being furnished or proposed for use on the work to determine whether the admixture is uniform in quality with that approved.

[**a. Air-entraining admixtures.** Air-entraining admixtures shall meet the requirements of ASTM C260 and shall consistently entrain the air content in the specified ranges under field conditions. The air-entrainment agent and any water reducer admixture shall be compatible.

b. Water-reducing admixtures. Water-reducing admixture shall meet the requirements of ASTM C494, Type A, B, or D. ASTM C494, Type F and G high range water reducing admixtures and ASTM C1017 flowable admixtures shall not be used.

c. Other chemical admixtures. The use of set retarding, and set-accelerating admixtures shall be approved by the Engineer. Retarding shall meet the requirements of ASTM C494, Type A, B, or D and set-accelerating shall meet the requirements of ASTM C494, Type C. Calcium chloride and admixtures containing calcium chloride shall not be used.

d. Lithium nitrate. The lithium admixture shall be a nominal 30% aqueous solution of Lithium Nitrate, with a density of 10 pounds/gallon (1.2 kg/L), and shall have the approximate chemical form as shown below:

<u>Constituent</u>	<u>Limit (Percent by Mass)</u>
LiNO ₃ (Lithium Nitrate)	30 ±0.5
SO ₄ (Sulfate Ion)	0.1 (max)
Cl (Chloride Ion)	0.2 (max)
Na (Sodium Ion)	0.1 (max)
K (Potassium Ion)	0.1 (max)

Provide a trained representative to supervise the lithium nitrate admixture dispensing and mixing operations.

e. Fly ash. Fly ash shall meet the requirements of ASTM C618, with the exception of loss of ignition, where the maximum shall be less than 6%. Fly ash for use in mitigating alkali-silica reactivity shall have a Calcium Oxide (CaO) content of less than 13%.]

Delete admixture paragraphs which do not apply to the project.

610-2.7 Premolded joint material. Premolded joint material for expansion joints shall meet the requirements of ASTM [___].

The Engineer shall designate either ASTM D1751 or ASTM D1752.

610-2.8 Joint filler. The filler for joints shall meet the requirements of Item P-605, unless otherwise specified.

610-2.9 Steel reinforcement. Reinforcing shall consist of [___] conforming to the requirements of [___].

The Engineer shall designate one of the following:

Reinforcing Steel	ASTM A615, ASTM A706, ASTM A775, ASTM A934
Welded Steel Wire Fabric	ASTM A1064
Welded Deformed Steel Fabric	ASTM A1064
Bar Mars	ASTM A184 or ASTM A704

Delete this section when not applicable to the project.

610-2.10 Materials for curing concrete. Curing materials shall conform to [___].

The Engineer shall select one or more of the following:

Waterproof paper	ASTM C171
Clear or white Polyethylene Sheeting	ASTM C171
White-pigmented Liquid Membrane-Forming Compound, Type 2, Class B	ASTM C309

CONSTRUCTION METHODS

610-3.1 General. The Contractor shall furnish all labor, materials, and services necessary for, and incidental to, the completion of all work as shown on the drawings and specified here. All machinery and equipment used by the Contractor on the work, shall be of sufficient size to meet the requirements of the work. All work shall be subject to the inspection and approval of the Engineer.

610-3.2 Concrete composition. The concrete shall develop a compressive strength of [___] psi in 28 days as determined by test cylinders made in accordance with ASTM C31 and tested in accordance with ASTM C39. The concrete shall contain not less than 470 pounds of cement per cubic yard (280 kg per cubic meter). The concrete shall contain 5% of entrained air, $\pm 1\%$, as determined by ASTM C231 and shall have a slump of not more than 4 inches (100 mm) as determined by ASTM C143.

The Engineer shall designate the compressive strength. The minimum allowable strength is 3,000 psi (2670 kg).

610-3.3 Acceptance sampling and testing. Concrete for each structure will be accepted on the basis of the compressive strength specified in paragraph 610-3.2. The concrete shall be sampled in accordance with ASTM C172. Concrete cylindrical compressive strength specimens shall be made in accordance with ASTM C31 and tested in accordance with ASTM C39. The Contractor shall cure and store the test specimens under such conditions as directed by the Engineer. The Engineer will make the actual tests on the specimens at no expense to the Contractor.

Depending on the project size and number of structures per day, it may be necessary to determine a Lot size and test frequency for acceptance of concrete under Item P-610.

610-3.4 Qualifications for concrete testing service. Perform concrete testing by an approved laboratory and inspection service experienced in sampling and testing concrete. Testing agency must meet the requirements of ASTM C1077 or ASTM E329.

610-3.5 Proportioning and measuring devices. When package cement is used, the quantity for each batch shall be equal to one or more whole sacks of cement. The aggregates shall be measured separately by weight. If aggregates are delivered to the mixer in batch trucks, the exact amount for each mixer charge shall be contained in each batch compartment. Weighing boxes or hoppers shall be approved by the Engineer and shall provide means of regulating the flow of aggregates into the batch box so the required, exact weight of aggregates is obtained.

610-3.6 Consistency. The consistency of the concrete shall be determined by the slump test specified in ASTM C143.

610-3.7 Mixing. Concrete may be mixed at the construction site, at a central point, or wholly or in part in truck mixers. The concrete shall be mixed and delivered in accordance with the requirements of ASTM C94.

610-3.8 Mixing conditions. The concrete shall be mixed only in quantities required for immediate use. Concrete shall not be mixed while the air temperature is below 40°F (4°C) without permission of the Engineer. If permission is granted for mixing under such conditions, aggregates or water, or both, shall be

heated and the concrete shall be placed at a temperature not less than 50°F (10°C) nor more than 100°F (38°C). The Contractor shall be held responsible for any defective work, resulting from freezing or injury in any manner during placing and curing, and shall replace such work at his expense.

Retempering of concrete by adding water or any other material shall not be permitted.

The rate of delivery of concrete to the job shall be sufficient to allow uninterrupted placement of the concrete.

610-3.9 Forms. Concrete shall not be placed until all the forms and reinforcements have been inspected and approved by the Engineer. Forms shall be of suitable material and shall be of the type, size, shape, quality, and strength to build the structure as shown on the plans. The forms shall be true to line and grade and shall be mortar-tight and sufficiently rigid to prevent displacement and sagging between supports. The surfaces of forms shall be smooth and free from irregularities, dents, sags, and holes. The Contractor shall be responsible for their adequacy.

The internal form ties shall be arranged so no metal will show in the concrete surface or discolor the surface when exposed to weathering when the forms are removed. All forms shall be wetted with water or with a non-staining mineral oil, which shall be applied immediately before the concrete is placed. Forms shall be constructed so they can be removed without injuring the concrete or concrete surface. The forms shall not be removed until at least 30 hours after concrete placement for vertical faces, walls, slender columns, and similar structures. Forms supported by falsework under slabs, beams, girders, arches, and similar construction shall not be removed until tests indicate the concrete has developed at least 60% of the design strength.

610-3.10 Placing reinforcement. All reinforcement shall be accurately placed, as shown on the plans, and shall be firmly held in position during concrete placement. Bars shall be fastened together at intersections. The reinforcement shall be supported by approved metal chairs. Shop drawings, lists, and bending details shall be supplied by the Contractor when required.

610-3.11 Embedded items. Before placing concrete, all embedded items shall be firmly and securely fastened in place as indicated. All embedded items shall be clean and free from coating, rust, scale, oil, or any foreign matter. The concrete shall be spaded and consolidated around and against embedded items. The embedding of wood shall not be allowed.

610-3.12 Placing concrete. All concrete shall be placed during daylight hours, unless otherwise approved. The concrete shall not be placed until the depth and condition of foundations, the adequacy of forms and falsework, and the placing of the steel reinforcing have been approved by the Engineer. Concrete shall be placed as soon as practical after mixing, but in no case later than one (1) hour after water has been added to the mix. The method and manner of placing shall avoid segregation and displacement of the reinforcement. Troughs, pipes, and chutes shall be used as an aid in placing concrete when necessary. The concrete shall not be dropped from a height of more than 5 feet (1.5 m). Concrete shall be deposited as nearly as practical in its final position to avoid segregation due to rehandling or flowing. Do not subject concrete to procedures which cause segregation. Concrete shall be placed on clean, damp surfaces, free from running water, or on a properly consolidated soil foundation.

610-3.13 Vibration. Vibration shall follow the guidelines in American Concrete Institute (ACI) Committee 309, Guide for Consolidation of Concrete. Where bars meeting ASTM A775 or A934 are used, the vibrators shall be equipped with rubber or non-metallic vibrator heads. Furnish a spare, working, vibrator on the job site whenever concrete is placed. Consolidate concrete slabs greater than 4 inches (100 mm) in depth with high frequency mechanical vibrating equipment supplemented by hand spading and tamping. Consolidate concrete slabs 4 inches (100 mm) or less in depth by wood tampers, spading, and settling with a heavy leveling straightedge. Operate internal vibrators with vibratory element submerged in the concrete, with a minimum frequency of not less than 6000 cycles per minute when submerged. Do not use vibrators to transport the concrete in the forms. Penetrate the previously placed lift with the

vibrator when more than one lift is required. Use external vibrators on the exterior surface of the forms when internal vibrators do not provide adequate consolidation of the concrete. Vibrators shall be manipulated to work the concrete thoroughly around the reinforcement and embedded fixtures and into corners and angles of the forms. The vibration at any point shall be of sufficient duration to accomplish compaction but shall not be prolonged to where segregation occurs. Concrete deposited under water shall be carefully placed in a compact mass in its final position by means of a tremie or other approved method and shall not be disturbed after placement.

610-3.14 Construction joints. If the placement of concrete is suspended, necessary provisions shall be made for joining future work before the placed concrete takes its initial set. For the proper bonding of old and new concrete, provisions shall be made for grooves, steps, reinforcing bars or other devices as specified. The work shall be arranged so that a section begun on any day shall be finished during daylight of the same day. Before depositing new concrete on or against concrete that has hardened, the surface of the hardened concrete shall be cleaned by a heavy steel broom, roughened slightly, wetted, and covered with a neat coating of cement paste or grout.

610-3.15 Expansion joints. Expansion joints shall be constructed at such points and dimensions as indicated on the drawings. The premolded filler shall be cut to the same shape as the surfaces being joined. The filler shall be fixed firmly against the surface of the concrete already in place so that it will not be displaced when concrete is deposited against it.

610-3.16 Defective work. Any defective work discovered after the forms have been removed, which in the opinion of the Engineer cannot be repaired satisfactorily, shall be immediately removed and replaced at the expense of the Contractor. Defective work shall include deficient dimensions, or bulged, uneven, or honeycomb on the surface of the concrete.

610-3.17 Surface finish. All exposed concrete surfaces shall be true, smooth, and free from open or rough areas, depressions, or projections. All concrete horizontal plane surfaces shall be brought flush to the proper elevation with the finished top surface struck-off with a straightedge and floated. Mortar finishing shall not be permitted, nor shall dry cement or sand-cement mortar be spread over the concrete during the finishing of horizontal plane surfaces.

The surface finish of exposed concrete shall be a rubbed finish. If forms can be removed while the concrete is still green, the surface shall be wetted and then rubbed with a wooden float until all irregularities are removed. If the concrete has hardened before being rubbed, a carborundum stone shall be used to finish the surface. When approved, the finishing can be done with a finishing machine.

610-3.18 Curing and protection. All concrete shall be properly cured and protected by the Contractor. The concrete shall be protected from the weather, flowing water, and from defacement of any nature during the project. The concrete shall be cured by covering with an approved material as soon as it has sufficiently hardened. Water-absorptive coverings shall be thoroughly saturated when placed and kept saturated for at least three (3) days following concrete placement. All curing mats or blankets shall be sufficiently weighted or tied down to keep the concrete surface covered and to prevent the surface from being exposed to air currents. Wooden forms shall be kept wet at all times until removed to prevent opening of joints and drying out of the concrete. Traffic shall not be allowed on concrete surfaces for seven (7) days after the concrete has been placed.

610-3.19 Drains or ducts. Drainage pipes, conduits, and ducts that are to be encased in concrete shall be installed by the Contractor before the concrete is placed. The pipe shall be held rigidly so that it will not be displaced or moved during the placing of the concrete.

610-3.20 Cold weather placing. When concrete is placed at temperatures below 40°F (4°C), the Contractor shall provide satisfactory methods and means to protect the mix from injury by freezing. The aggregates, or water, or both, shall be heated to place the concrete at temperatures between 50°F and 100°F (10°C and 38°C).

Calcium chloride may be incorporated in the mixing water when directed by the Engineer. Not more than pounds (908 grams) of Type 1 nor more than 1.6 pounds (726 grams) of Type 2 shall be added per bag of cement. After the concrete has been placed, the Contractor shall provide sufficient protection such as cover, canvas, framework, heating apparatus, etc., to enclose and protect the structure and maintain the temperature of the mix at not less than 50°F (10°C) until at least 60% of the designed strength has been attained.

Information regarding cold weather concreting practices may be found in ACI 306R, Cold Weather Concreting.

610-3.21 Hot weather placing. Concrete shall be properly placed and finished with procedures previously submitted. The concrete-placing temperature shall not exceed []°F ([]°C) when measured in accordance with ASTM C1064. Cooling of the mixing water and aggregates, or both, may be required to obtain an adequate placing temperature. A retarder meeting the requirements of paragraph 610-2.6 may be used to facilitate placing and finishing. Steel forms and reinforcement shall be cooled prior to concrete placement when steel temperatures are greater than 120°F (50°C). Conveying and placing equipment shall be cooled if necessary to maintain proper concrete-placing temperature. Submit the proposed materials and methods for review and approval by the Engineer, if concrete is to be placed under hot weather conditions.

Information regarding hot weather concreting practices may be found in ACI 305R, Hot Weather Concreting.

610-3.22 Filling joints. All joints that require filling shall be thoroughly cleaned, and any excess mortar or concrete shall be cut out with proper tools. Joint filling shall not start until after final curing and shall be done only when the concrete is completely dry. The cleaning and filling shall be done with proper equipment to obtain a neat looking joint free from excess filler.

METHOD OF MEASUREMENT

610-4.1 Portland cement concrete shall be measured by the number of cubic yards (cubic meters) of concrete complete in place and accepted. In computing the yardage of concrete for payment, the dimensions used shall be those shown on the plans or ordered by the Engineer. No measurements or other allowances shall be made for forms, falsework, cofferdams, pumping, bracing, expansion joints, or finishing of the concrete. No deductions in yardage shall be made for the volumes of reinforcing steel or embedded items.

610-4.2 Reinforcing steel shall be measured by the calculated theoretical number of pounds (kg) placed, as shown on the plans, complete in place and accepted. The unit weight used for deformed bars shall be the weight of plain square or round bars of equal nominal size. If so indicated on the plans, the poundage to be paid for shall include the weight of metal pipes and drains, metal conduits and ducts, or similar materials indicated and included.

BASIS OF PAYMENT

610-5.1 Payment shall be made at the contract unit price per cubic yard (cubic meter) for structural Portland cement concrete and per pound (kg) for reinforcing steel. These prices shall be full compensation for furnishing all materials and for all preparation, delivery and installation of these materials, and for all labor, equipment, tools, and incidentals necessary to complete the item.

Payment will be made under:

Item P-610-5.1	Structural Portland Cement Concrete, per cubic yard (cubic meter)
Item P-610-5.1	Steel Reinforcement, per pound (kg)

TESTING REQUIREMENTS

ASTM C31	Standard Practice for Making and Curing Concrete Test Specimens in the Field
ASTM C39	Standard Test Method for Compressive Strength of Cylindrical Concrete Specimens
ASTM C136	Standard Test Method for Sieve or Screen Analysis of Fine and Coarse Aggregates
ASTM C138	Standard Test Method for Density (Unit Weight), Yield, and Air Content (Gravimetric) of Concrete
ASTM C143	Standard Test Method for Slump of Hydraulic-Cement Concrete
ASTM C231	Standard Test Method for Air Content of Freshly Mixed Concrete by the Pressure Method
ASTM C666	Standard Test Method for Resistance of Concrete to Rapid Freezing and Thawing
ASTM C1017	Standard Specification for Chemical Admixtures for Use in Producing Flowing Concrete
ASTM C1064	Standard Test Method for Temperature of Freshly Mixed Hydraulic-Cement Concrete
ASTM C1077	Standard Practice for Agencies Testing Concrete and Concrete Aggregates for Use in Construction and Criteria for Testing Agency Evaluation
ASTM C1260	Standard Test Method for Potential Alkali Reactivity of Aggregates (Mortar-Bar Method)
ASTM C1567	Standard Test Method for Determining the Potential Alkali-Silica Reactivity of Combinations of Cementitious Materials and Aggregates (Accelerated Mortar-Bar Method)
ASTM E329	Standard Specification for Agencies Engaged in Construction Inspection, Testing, or Special Inspection
U.S. Army Corps of Engineers (USACE) Concrete Research Division (CRD) C662	Determining the Potential Alkali-Silica Reactivity of Combinations of Cementitious Materials, Lithium Nitrate Admixture and Aggregate (Accelerated Mortar-Bar Method)

MATERIAL REQUIREMENTS

ASTM A184	Standard Specification for Welded Deformed Steel Bar Mats for Concrete Reinforcement
ASTM A185	Standard Specification for Steel Welded Wire Reinforcement, Plain, for Concrete
ASTM A615	Standard Specification for Deformed and Plain Carbon-Steel Bars for Concrete Reinforcement
ASTM A704	Standard Specification for Welded Steel Plain Bar or Rod Mats for Concrete Reinforcement
ASTM A706	Standard Specification for Low-Alloy Steel Deformed and Plain Bars for Concrete Reinforcement
ASTM A775	Standard Specification for Epoxy-Coated Steel Reinforcing Bars
ASTM A934	Standard Specification for Epoxy-Coated Prefabricated Steel Reinforcing Bars
ASTM A1064	Standard Specification for Carbon-Steel Wire and Welded Wire Reinforcement, Plain and Deformed, for Concrete
ASTM C33	Standard Specification for Concrete Aggregates
ASTM C94	Standard Specification for Ready-Mixed Concrete
ASTM C150	Standard Specification for Portland Cement
ASTM C171	Standard Specification for Sheet Materials for Curing Concrete
ASTM C172	Standard Practice for Sampling Freshly Mixed Concrete
ASTM C260	Standard Specification for Air-Entraining Admixtures for Concrete
ASTM C309	Standard Specification for Liquid Membrane-Forming Compounds for Curing Concrete
ASTM C494	Standard Specification for Chemical Admixtures for Concrete
ASTM C595	Standard Specification for Blended Hydraulic Cements
ASTM C618	Standard Specification for Coal Fly Ash and Raw or Calcined Natural Pozzolan for Use in Concrete
ASTM D1751	Standard Specification for Preformed Expansion Joint Filler for Concrete Paving and Structural Construction (Nonextruding and Resilient Asphalt Types)
ASTM D1752	Standard Specification for Preformed Sponge Rubber Cork and Recycled PVC Expansion Joint Fillers for Concrete Paving and Structural Construction
ACI 305R	Hot Weather Concreting
ACI 306R	Cold Weather Concreting
ACI 309R	Guide for Consolidation of Concrete

END OF ITEM P-610

Intentionally Left Blank

Item P-620 Runway and Taxiway Marking

DESCRIPTION

620-1.1 This item shall consist of the preparation and painting of numbers, markings, and stripes on the surface of runways, taxiways, and aprons, in accordance with these specifications and at the locations shown on the plans, or as directed by the Engineer. The terms “paint” and “marking material” as well as “painting” and “application of markings” are interchangeable throughout this specification.

MATERIALS

620-2.1 Materials acceptance. The Contractor shall furnish manufacturer’s certified test reports for materials shipped to the project. The certified test reports shall include a statement that the materials meet the specification requirements. The reports can be used for material acceptance or the Engineer may perform verification testing. The reports shall not be interpreted as a basis for payment. The Contractor shall notify the Engineer upon arrival of a shipment of materials to the site. All material shall arrive in sealed containers 55 gallons or smaller for inspection by the Engineer. Material shall not be loaded into the equipment until inspected by the Engineer.

620-2.2 Marking materials. Paint shall be [waterborne, epoxy, methacrylate, solvent-base, or preformed thermoplastic] in accordance with the requirements of paragraph 620-2.2 [____]. Paint shall be furnished in [____] in accordance with Federal Standard No. 595.

The Engineer shall specify paint type (s) and appropriate paragraph number (s).

The Engineer shall insert the colors to be used on a project from the following list:

<u>Fed Std. No 595 Color</u>	<u>Number</u>
White	37925
Red	31136
Yellow	33538 or 33655
Black	37038
Pink	1 part 31136 to 2 parts 37925
Green	34108

Waterborne or solvent base black paint should be used to outline a border at least 6 inch (150 mm) wide around markings on all light colored pavements. Preformed thermoplastic markings shall have a non-reflectorized black border integral to the marking.

For TT-P-1952E and A-A-2886B paints, the Engineer shall specify the type required:

- **Type I is intended for those locations where slower tracking is not a problem.**
- **Type II is intended for locations where faster curing is desirable.**

- **Type III requires the use of cross linking resin which will produce a thicker, more durable coating.**

When more than one paint type is specified, the plans should clearly indicate paint type for each marking.

[**a. Waterborne.** Paint shall meet the requirements of Federal Specification TT-P-1952E, [Type I] [Type II] [Type III]. The non-volatile portion of the vehicle for all paint types shall be composed of a 100% acrylic polymer as determined by infrared spectral analysis. [The acrylic resin used for Type III shall be 100% cross linking acrylic as evidenced by infrared peaks at wavelengths 1568, 1624, and 1672 cm-1 with intensities equal to those produced by an acrylic resin known to be 100% cross linking.]

[**b. Epoxy.** Paint shall be a two component, minimum 99% solids type system conforming to the following:

(1) **Pigments.** Component A. Percent by weight.

(a) **White:**

Titanium Dioxide, ASTM D476, type II shall be 18% minimum (16.5% minimum at 100% purity).

(b) **Yellow and Colors:**

Titanium Dioxide, ASTM D476, type II shall be 14 to 17%.

Organic yellow, other colors, and tinting as required to meet color standard.

Epoxy resin shall be 75 to 79%.

(2) **Epoxy content.** Component A. The weight per epoxy equivalent, when tested in accordance with ASTM D1652 shall be the manufacturer's target ± 50 .

(3) **Amine number.** Component B. When tested in accordance with ASTM D2074 shall be the manufacturer's target ± 50 .

(4) **Prohibited materials.** The manufacturer shall certify that the product does not contain mercury, lead, hexavalent chromium, halogenated solvents, nor any carcinogen as defined in 29 CFR 1910.1200 in amounts exceeding permissible limits as specified in relevant Federal Regulations.

(5) **Daylight directional reflectance.**

(a) **White:** The daylight directional reflectance of the white paint shall not be less than 75% (relative to magnesium oxide), when tested in accordance with ASTM E2302.

(b) **Yellow:** The daylight directional reflectance of the yellow paint shall not be less than 55% (relative to magnesium oxide), when tested in accordance with ASTM E2302. The x and y values shall be consistent with the Federal Hegman yellow color standard chart for traffic yellow standard 33538, or shall be consistent with the tolerance listed below:

x	.462	x	.470	x	.479	x	.501
y	.438	y	.455	y	.428	y	.452

(6) Accelerated weathering.

(a) Sample preparation. Apply the paint at a wet film thickness of 0.013 inch (0.33 mm) to four 3 × 6 inch (8 × 15 cm) aluminum panels prepared as described in ASTM E2302. Air dry the sample 48 hours under standard conditions.

(b) Testing conditions. Test in accordance with ASTM G154 using both Ultra Violet (UV-B) Light and condensate exposure, 72 hours total, alternating four (4) hour UV exposure at 140°F (60°C), and four (4) hours condensate exposure at 104°F (40°C).

(c) Evaluation. Remove the samples and condition for 24 hours under standard conditions. Determine the directional reflectance and color match using the procedures in paragraph 620-2.2b(5) above. Evaluate for conformance with the color requirements.

(7) Volatile organic content. Determine the volatile organic content in accordance with 40 CFR Part 60 Appendix A, Method 24.

(8) Dry opacity. Use ASTM E2302. The wet film thickness shall be 0.015 inch (0.38 mm). The minimum opacity for white and colors shall be 0.92.

(9) Abrasion resistance. Subject the panels prepared in paragraph 620-2.2b(6) to the abrasion test in accordance with ASTM D968, Method A, except that the inside diameter of the metal guide tube shall be from 0.747 to 0.750 inch (18.97 to 19.05 mm). Five liters (17.5 lb (7.94 kg)) of unused sand shall be used for each test panel. The test shall be run on two test panels Both baked and weathered paint films shall require not less than 150 liters (525 lbs (239 kg)) of sand for the removal of the paint films.

(10) Hardness, shore. Hardness shall be at least 80 when tested in accordance with ASTM D2240.]

[**c. Methacrylate.** Paint shall be a two component, minimum 99% solids-type system conforming to the following:

(1) Pigments. Component A. Percent by weight.

(a) White:

Titanium Dioxide, ASTM D476, type II shall be 8% minimum.

Methacrylate resin shall be 18% minimum.

(b) Yellow and Colors:

Titanium Dioxide, ASTM D476, type II shall be 1% minimum.

Organic yellow, other colors, and tinting as required to meet color standard.

Methacrylate resin shall be 18% minimum.

(2) Prohibited materials. The manufacturer shall certify that the product does not contain mercury, lead, hexavalent chromium, halogenated solvents, nor any carcinogen as defined in 29 CFR

1910.1200 in amounts exceeding permissible limits as specified in relevant Federal Regulations.

(3) Daylight directional reflectance:

(a) White: The daylight directional reflectance of the white paint shall not be less than 80% (relative to magnesium oxide), when tested in accordance with ASTM E2302.

(b) Yellow: The daylight directional reflectance of the yellow paint shall not be less than 55% (relative to magnesium oxide), when tested in accordance with ASTM E2302. The x and y values shall be consistent with the Federal Hegman yellow color standard chart for traffic yellow standard 33538, or shall be consistent with the tolerance listed below:

x	.462	x	.470	x	.479	x	.501
y	.438	y	.455	y	.428	y	.452

(4) Accelerated weathering.

(a) Sample preparation. Apply the paint at a wet film thickness of 0.013 inch (0.33 mm) to four 3 × 6 inch (8 × 15 cm) aluminum panels prepared as described in ASTM E2302. Air dry the sample 48 hours under standard conditions.

(b) Testing conditions. Test in accordance with ASTM G154 using both Ultra Violet (UV-B) Light and condensate exposure, 72 hours total, alternating four (4) hour UV exposure at 140°F (60°C), and four (4) hours condensate exposure at 104°F (40°C).

(c) Evaluation. Remove the samples and condition for 24 hours under standard conditions. Determine the directional reflectance and color match using the procedures in paragraph 620-2.2c(3) above. Evaluate for conformance with the color requirements.

(5) Volatile organic content. Determine the volatile organic content in accordance with 40 CFR Part 60 Appendix A, Method 24.

(6) Dry opacity. Use ASTM E2302. The wet film thickness shall be 0.015 inch (0.38 mm). The minimum opacity for white and colors shall be 0.92.

(7) Abrasion resistance. Subject the panels prepared in paragraph 620-2.2c(4) to the abrasion test in accordance with ASTM D968, Method A, except that the inside diameter of the metal guide tube shall be from 0.747 to 0.750 inch (18.97 to 19.05 mm). Five liters (17.5 lb (7.94 kg)) of unused sand shall be used for each test panel. The test shall be run on two test panels Both baked and weathered paint films shall require not less than 150 liters (525 lbs (239 kg)) of sand for the removal of the paint films.

(8) Hardness, shore. Hardness shall be at least 60 when tested in accordance with ASTM D2240.]

[**d. Solvent-Base.** Paint shall meet the requirements of Commercial Item Description [A-A-2886B Type I, Type II, and Type III].]

[**e. Preformed Thermoplastic Airport Pavement Markings.** Markings must be composed of ester modified resins in conjunction with

aggregates, pigments, and binders that have been factory produced as a finished product. The material must be impervious to degradation by aviation fuels, motor fuels, and lubricants.

(1) The markings must be able to be applied in temperatures as low as 35°F without any special storage, preheating, or treatment of the material before application.

(a) The markings must be supplied with an integral, non-reflectorized black border.

(2) Graded glass beads.

(a) The material must contain a minimum of 30% intermixed graded glass beads by weight. The intermixed beads shall conform to [Federal Specification TT-B-1325D, Type I, gradation A] [Federal Specification TT-B-1325D, Type IV].

(b) The material must have factory applied coated surface beads in addition to the intermixed beads at a rate of one (1) lb (0.45 kg) (±10%) per 10 square feet (1 sq m). These factory applied coated surface beads shall have a minimum of 90% true spheres, minimum refractive index of 1.50, and meet the following gradation.

Size Gradation		Retained, %	Passing, %
U.S. Mesh	µm		
12	1700	0 - 2	98 - 100
14	1400	0 - 3.5	96.5 - 100
16	1180	2 - 25	75 - 98
18	1000	28 - 63	37 - 72
20	850	63 - 72	28 - 37
30	600	67 - 77	23 - 33
50	300	89 - 95	5 - 11
80	200	97 - 100	0 - 3

(3) **Heating indicators.** The material manufacturer shall provide a method to indicate that the material has achieved satisfactory adhesion and proper bead embedment during application and that the installation procedures have been followed.

(4) Pigments. Percent by weight.

(a) White:

Titanium Dioxide, ASTM D476, type II shall be 10% minimum.

(b) Yellow and Colors:

Titanium Dioxide, ASTM D476, type II shall be 1% minimum.

Organic yellow, other colors, and tinting as required to meet color standard.

(5) **Prohibited materials.** The manufacturer shall certify that the product does not contain mercury, lead, hexavalent chromium, halogenated solvents, nor any carcinogen as defined in 29 CFR

1910.1200 in amounts exceeding permissible limits as specified in relevant Federal Regulations.

(6) Daylight directional reflectance.

(a) White: The daylight directional reflectance of the white paint shall not be less than 75% (relative to magnesium oxide), when tested in accordance with ASTM E2302.

(b) Yellow: The daylight directional reflectance of the yellow paint shall not be less than 45% (relative to magnesium oxide), when tested in accordance with ASTM E2302. The x and y values shall be consistent with the Federal Hegman yellow color standard chart for traffic yellow standard 33538, or shall be consistent with the tolerance listed below:

x	.462	x	.470	x	.479	x	.501
y	.438	y	.455	y	.428	y	.452

(7) Skid resistance. The surface, with properly applied and embedded surface beads, must provide a minimum resistance value of 45 BPN when tested according to ASTM E303.

(8) Thickness. The material must be supplied at a nominal thickness of 65 mil (1.7 mm).

(9) Environmental resistance. The material must be resistant to deterioration due to exposure to sunlight, water, salt, or adverse weather conditions and impervious to aviation fuels, gasoline, and oil.

(10) Retroreflectivity. The material, when applied in accordance with manufacturer's guidelines, must demonstrate a uniform level of nighttime retroreflection when tested in accordance to ASTM E1710.

(11) Packaging. Packaging shall protect the material from environmental conditions until installation.

(12) Preformed thermoplastic airport pavement marking requirements.

(a) The markings must be a resilient thermoplastic product with uniformly distributed glass beads throughout the entire cross-sectional area. The markings must be resistant to the detrimental effects of aviation fuels, motor fuels and lubricants, hydraulic fluids, deicers, anti-icers, protective coatings, etc. Lines, legends, and symbols must be capable of being affixed to asphalt and/or Portland cement concrete pavements by the use of a large radiant heater. Colors shall be available as required.

(b) The markings must be capable of conforming to pavement contours, breaks, and faults through the action of airport traffic at normal pavement temperatures. The markings must be capable of fully conforming to grooved pavements, including pavement grooving per advisory circular (AC) 150/5320-12, current version. The markings shall have resealing characteristics, such that it is capable of fusing with itself and previously applied thermoplastics when heated with a heat source per manufacturer's recommendation.

(c) Multicolored markings must consist of interconnected individual pieces of preformed thermoplastic pavement marking material, which through a variety of colors and patterns, make up the desired design. The individual pieces in each large marking segment (typically more than 20 feet (6 m) long) must be factory assembled with a compatible material and interconnected so that in the field it is not necessary to assemble the individual pieces within a marking segment. Obtaining multicolored effect by overlaying materials of different colors is not acceptable due to resulting inconsistent marking thickness and inconsistent application temperature in the marking/substrate interface.

(d) The marking material must set up rapidly, permitting the access route to be re-opened to traffic after application.

(e) The marking material shall have an integral color throughout the thickness of the marking material.]

Thermoplastic airport markings will be subject to an Engineering life-cycle cost analysis prior to inclusion in specifications.

620-2.3 Reflective media. Glass beads shall meet the requirements for [___]. Glass beads shall be treated with all compatible coupling agents recommended by the manufacturers of the paint and reflective media to ensure adhesion and embedment.

Paint Color	Glass Beads, Type I, Gradation A	Glass Beads, Type III	Glass Beads, Type IV
White	See Table 1	See Table 1	See Table 1
Yellow	See Table 1	See Table 1	See Table 1
Red	See Table 1 and Note	Not used	See Table 1 and Note
Pink	See Table 1 and Note	Not used	See Table 1 and Note
Black	Not used	Not used	Not used
Green	Not used	Not used	Not used

The Engineer should insert all that will be used in the project. When more than one bead type is specified, the plans should indicate the bead type for each marking.

Federal Specification TT-B-1325D, Type I, gradation A shall be used when remarking on a frequent basis (at least every six months), and should yield at least 300 mcd/m²/lux on white markings at installation and at least 175 mcd/m²/lux on yellow markings at installation.

Federal Specification TT-B-1325D, Type III, gradation A shall be used when a higher reflective value is desired. Initial readings should yield at least 600 mcd/m²/lux on white markings and at least 300 mcd/m²/lux on yellow markings at installation.

Federal Specification TT-B-1325D, Type IV, gradation A shall be used with TT-P-1952E, Type III paint. The glass beads are larger than either Type I or Type III, thus requiring more of the coating material to properly anchor. When applied properly in 25-30 mils wet film thickness (wft) of the high build acrylic waterborne material, reflective readings should yield at least 400 mcd/m²/lux on white markings and at least 225 mdc/m²/lux on yellow markings at installation. The Engineer should consult with the paint and bead manufacturer on the use of adhesion, flow promoting, and/or flotation additives.

Preformed thermoplastic pavement markings should yield at least 225 mcd/m²/lux on white markings at installation and at least 100 mcd/m²/lux on yellow markings at installation.

Retroreflectivity shall be measured by a portable retroreflectometer according to ASTM E1710 and the practices in ASTM D7585 shall be followed for taking retroreflectivity readings with a portable retroreflectometer and computing measurement averages. A van-mounted retroreflectometer may also be used.

CONSTRUCTION METHODS

620-3.1 Weather limitations. The painting shall be performed only when the surface is dry and when the surface temperature is at least 45°F (7°C) and rising and the pavement surface temperature is at least 5°F (2.7°C) above the dew point or meets the manufacturer’s recommendations. [Painting operations shall be discontinued when the surface temperature exceeds []°F ([]°C.] [Markings shall not be applied when the pavement temperature is greater than 130°F (55°C).] Markings shall not be applied when the wind speed exceeds 10 mph unless windscreens are used to shroud the material guns.

The Engineer may specify minimum and maximum surface and dew point temperatures based on paint manufacturer’s recommendations.

620-3.2 Equipment. Equipment shall include the apparatus necessary to properly clean the existing surface, a mechanical marking machine, a bead dispensing machine, and such auxiliary hand-painting equipment as may be necessary to satisfactorily complete the job.

The mechanical marker shall be an atomizing spray-type or airless-type marking machine suitable for application of traffic paint. It shall produce an even and uniform film thickness at the required coverage and shall apply markings of uniform cross-sections and clear-cut edges without running or spattering and without over spray.

620-3.3 Preparation of surface. Immediately before application of the paint, the surface shall be dry and free from dirt, grease, oil, laitance, or other foreign material that would reduce the bond between the paint and the pavement. The area to be painted shall be cleaned by [waterblasting,]

[shotblasting,][grinding] or [sandblasting] or by other methods as required to remove all contaminants minimizing damage to the pavement surface. Use of any chemicals or impact abrasives during surface preparation shall be approved in advance by the Engineer. After the cleaning operations, sweeping, blowing, or rinsing with pressurized water shall be performed to ensure the surface is clean and free of grit or other debris left from the cleaning process.

[Paint shall not be applied to Portland cement concrete pavement until the areas to be painted are clean of curing material. Sandblasting or high-pressure water shall be used to remove curing materials.]

[At least 24 hours prior to remarking existing markings, [loose] existing markings must be removed such that [75%][90%][100%] of the [loose] existing markings are removed. After removal, the surface shall be cleaned of all residue or debris either with sweeping or blowing with compressed air or both.]

Prior to the application of any markings, the Contractor shall certify in writing that the surface has been prepared in accordance with the paint manufacturer’s requirements, that the application equipment is appropriate for the type of marking paint and that environmental conditions are appropriate for the material being applied. This certification along with a copy of the paint manufacturer’s surface preparation and application requirements must be submitted and approved by the Engineer prior to the initial application of markings.

The Engineer should specify any additional surface preparation or test applications required and should specify the type of surface preparation to be used when existing markings interfere with or would cause adhesion problems with new markings.

Loose markings should always be removed prior to remarking, whether or not existing markings need to be removed is up to the Engineer and the Airport Operator. The type of removal method used depends upon whether you need to remove loose markings or all existing markings.

Shotblasting is not recommended on grooved surfaces.

After removal you may have to apply a fog seal or seal coat to ‘block out’ the removal area to eliminate ‘ghost’ markings which could be misleading.

620-3.4 Layout of markings. The proposed markings shall be laid out in advance of the paint application. The locations of markings to receive glass beads shall be shown on the plans. [The locations of markings to receive silica sand shall be shown on the plans.]

Glass beads improve conspicuity and the friction characteristics of markings. At a minimum, the Engineer shall indicate the following locations to receive glass beads per AC 150/5340-1, Standards for Airport Markings:

- 1. All holding position markings used on runways, taxiways, and holding bays and used to indicate instrument landing system/microwave landing system (ILS/MLS) or precision obstacle-free zone (POFZ) critical areas.**

2. Runway threshold marking.
3. Runway threshold bar.
4. Runway aiming point marking.
5. Runway designation marking.
6. Runway touchdown zone markings.
7. Runway centerline marking.
8. All taxiway centerline markings and enhanced taxiway centerline markings.
9. Geographical position marking.
10. Surface painted signs for holding position signs, taxiway direction signs, taxiway location signs, gate destination signs, and apron entrance point signs.
11. Non-movement area boundary marking

The following locations are recommended to receive glass beads:

1. Runway side stripes.
2. Taxiway edge markings.
3. Runway displaced threshold markings.
4. Runway demarcation bar.

620-3.5 Application. Paint shall be applied at the locations and to the dimensions and spacing shown on the plans. Paint shall not be applied until the layout and condition of the surface has been approved by the Engineer. The edges of the markings shall not vary from a straight line more than 1/2 inch (12 mm) in 50 feet (15 m), and marking dimensions and spacings shall be within the following tolerances:

Dimension and Spacing	Tolerance
36 inch (910 mm) or less	±1/2 inch (12 mm)
greater than 36 inch to 6 feet (910 mm to 1.85 m)	±1 inch (25 mm)
greater than 6 feet to 60 feet (1.85 m to 18.3 m)	±2 inch (50 mm)
greater than 60 feet (18.3 m)	±3 inch (76 mm)

The paint shall be mixed in accordance with the manufacturer’s instructions and applied to the pavement with a marking machine at the rate shown in Table 1. The addition of thinner will not be permitted. A period of [___] shall elapse between placement of a bituminous surface course or seal coat and application of the paint.

Prior to the initial application of markings, the Contractor shall certify in writing that the surface has been prepared in accordance with the paint manufacturer’s requirements, that the application equipment is appropriate for the marking paint and that environmental conditions are appropriate for the material being applied. This certification along with a copy of the paint manufactures application and surface preparation requirements must be submitted to the Engineer prior to the initial application of markings.

620-3.6 Test strip. Prior to the full application of airfield markings, the Contractor shall produce a test strip in the presence of the Engineer. The test strip shall include the application of a minimum of 5 gallons (4 liters) of paint and application of 35 lbs (15.9 kg) of Type I/50 lbs (22.7 kg) of Type III glass

beads. The test strip shall be used to establish thickness/darkness standard for all markings. The test strip shall cover no more than the maximum area prescribed in Table 1 (e.g., for 5 gallons (19 liters) of waterborne paint shall cover no more than 575 square feet (53.4 m²).

**Table 1. Application Rates For Paint And Glass Beads
(See Note regarding Red and Pink Paint)**

Paint Type	Paint Square feet per gallon, ft ² /gal (Sq m per liter, m ² /l)	Glass Beads, Type I, Gradation A Pounds per gallon of paint-lb/gal (Km per liter of paint- kg/l)	Glass Beads, Type III Pounds per gallon of paint-lb/gal (Km per liter of paint-kg/l)	Glass Beads, Type IV Pounds per gallon of paint-lb/gal (Km per liter of paint-kg/l)
*	*	*	*	*
*	*	*	*	*

The Engineer shall specify the application rates for paint and glass beads from the following table.

Application Rates For Paint And Glass Beads For Table 1

Paint Type	Paint Square feet per gallon, ft ² /gal (Sq m per liter, m ² /l)	Glass Beads, Type I, Gradation A Pounds per gallon of paint-lb/gal (Km per liter of paint-kg/l)	Glass Beads, Type III Pounds per gallon of paint-lb/gal (Km per liter of paint-kg/l)	Glass Beads, Type IV Pounds per gallon of paint-lb/gal (Km per liter of paint-kg/l)
Waterborne Type I or II	115 ft ² /gal max (2.8 m ² /l)	7 lb/gal min (0.85 kg/l)	10 lb/gal min (1.2 kg/l)	--
Waterborne Type III	90 ft ² /gal max (2.2 m ² /l)	--	10 lb/gal min (1.2 kg/l)	
Waterborne Type III	55 ft ² /gal max (1.4 m ² /l)			8 lb/gal min (1.0 kg/l)
Solvent Base	115 ft ² /gal max (2.8 m ² /l)	7 lb/gal min (0.85 kg/l)	10 lb/gal min (1.2 kg/l)	--
Solvent Base	55 ft ² /gal max (2.2 m ² /l)	--	--	8 lb/gal min (1.0 kg/l)
Epoxy	90 ft ² /gal max (2.2 m ² /l)	15 lb/gal min (1.8 kg/l)	20 lb/gal min (2.4 kg/l)	16 lb/gal min (1.9 kg/l)
Methacrylate	45 ft ² /gal max (1.1 m ² /l)	15 lb/gal min (1.8 kg/l)	20 lb/gal min (2.4 kg/l)	16 lb/gal min (1.8 kg/l)

Note: The glass bead application rate for Red and Pink paint shall be reduced by 2 lb/gal (0.24 kg/l) for Type I and Type IV beads. Type III beads shall not be applied to Red or Pink paint.

The Engineer shall specify the time period in order to allow adequate curing of the pavement surface. The Engineer should contact the paint manufacturer to determine the wait period.

Due to the increased surface area to cover, the following should be substituted when painting Porous Friction Course with waterborne or solvent based paints:

“The paint shall be mixed in accordance with the manufacturer’s instructions and applied to the pavement with a marking machine from two directions at 50% with no glass beads in the first direction, and 100% with glass beads or sand in the other direction.”

Markings may be required before paving operations are complete. The Engineer may wish to specify waterborne or solvent-based materials for temporary markings at 30% to 50% of the specified application rates (for example, rate/0.50). No glass beads are required for temporary markings. TT-P-1952E, Type II or A-A-2886B, Type III may be used for temporary markings when reflectorized temporary markings are desired. Glass beads will not adhere well at the low application rates for temporary markings and require immediate sweeping and cleanup before aircraft are allowed to use the pavement.

It is recommended when using waterborne paints on previously unmarked asphalt or seal coat, that an initial paint coat at 50% of the permanent coverage rates be applied for white markings to reduce the discoloration that occurs.

New concrete pavements should be allowed to cure for eight to twelve weeks before removing the curing compound and installing permanent markings.

Glass beads shall be distributed upon the marked areas at the locations shown on the plans to receive glass beads immediately after application of the paint. A dispenser shall be furnished that is properly designed for attachment to the marking machine and suitable for dispensing glass beads. Glass beads shall be applied at the rate shown in Table 1. Glass beads shall not be applied to black paint or green paint. Glass beads shall adhere to the cured paint or all marking operations shall cease until corrections are made. Different bead types shall not be mixed. Regular monitoring of glass bead embedment should be performed.

All emptied containers shall be returned to the paint storage area for checking by the Engineer. The containers shall not be removed from the airport or destroyed until authorized by the Engineer.

A 24- to 30-day waiting period is recommended for all types of paint used for pavement marking. If the airport operations require pavement marking prior to the recommended waiting period, the paint may be applied in a temporary light coat application. Appropriate modifications to paragraph 3.5 should be included to specify a 30% to 50% application rate for temporary markings. Glass beads are not required for temporary markings. TT-P-1952E, Type II or A-A-2886B, Type III may be used for temporary markings when reflectorized temporary markings are desired. Glass beads will not adhere well at the low application rates for temporary

markings and require immediate sweeping and cleanup before aircraft are allowed to use the pavement.

The final application should occur after the waiting period has passed. The final marking application must be at full strength in order to adequately set the glass bead.

620-3.7 Application--preformed thermoplastic airport pavement markings.

a. Asphalt and Portland cement. To ensure minimum single-pass application time and optimum bond in the marking/substrate interface, the materials must be applied using a variable speed self-propelled mobile heater with an effective heating width of no less than 16 feet (5 m) and a free span between supporting wheels of no less than 18 feet (5.5 m). The heater must emit thermal radiation to the marking material in such a manner that the difference in temperature of 2 inches (50 mm) wide linear segments in the direction of heater travel must be within 5% of the overall average temperature of the heated thermoplastic material as it exits the heater. The material must be able to be applied at ambient and pavement temperatures down to 35°F (2°C) without any preheating of the pavement to a specific temperature. The material must be able to be applied without the use of a thermometer. The pavement shall be clean, dry, and free of debris. A non-volatile organic content (non-VOC) sealer with a maximum applied viscosity of 250 centiPoise must be applied to the pavement shortly before the markings are applied. The supplier must enclose application instructions with each box/package.

620-3.8 Protection and cleanup. After application of the markings, all markings shall be protected from damage until dry. All surfaces shall be protected from excess moisture and/or rain and from disfiguration by spatter, splashes, spillage, or drippings. The Contractor shall remove from the work area all debris, waste, loose or unadhered reflective media, and by-products generated by the surface preparation and application operations to the satisfaction of the Engineer. The Contractor shall dispose of these wastes in strict compliance with all applicable state, local, and Federal environmental statutes and regulations.

METHOD OF MEASUREMENT

620-4.1 The quantity of runway and taxiway markings to be paid for shall be [the number of square feet (square meters) of painting and the number of pounds (kg) of reflective media] [the number of square feet (square meters) of preformed markings] [one complete item in place] performed in accordance with the specifications and accepted by the Engineer.

BASIS OF PAYMENT

620-5.1 Payment shall be made at the respective contract [price per square foot (square meter)] [lump sum price] for runway and taxiway painting [, and [price per pound (kg)] [lump sum price] [price per square foot (square meter)] [lump sum price] for preformed markings] for reflective media. This price shall be full compensation for furnishing all materials and for all labor, equipment, tools, and incidentals necessary to complete the item.

Payment will be made under:

Item P-620-5.1-1 Runway and Taxiway Marking [per square foot (square meter)] [lump sum]

The Engineer should include a pay item for each paint type and color and bead type material specified.

Item P-620-5.1-2 Reflective Media [per pound (km)] [lump sum]

TESTING REQUIREMENTS

ASTM C371	Standard Test Method for Wire-Cloth Sieve Analysis of Nonplastic Ceramic Powders
ASTM D92	Standard Test Method for Flash and Fire Points by Cleveland Open Cup Tester
ASTM D711	Standard Test Method for No-Pick-Up Time of Traffic Paint
ASTM D968	Standard Test Methods for Abrasion Resistance of Organic Coatings by Falling Abrasive
ASTM D1652	Standard Test Method for Epoxy Content of Epoxy Resins
ASTM D2074	Standard Test Method for Total, Primary, Secondary, and Tertiary Amine Values of Fatty Amines by Alternative Indicator Method
ASTM D2240	Standard Test Method for Rubber Property - Durometer Hardness
ASTM D7585	Standard Practice for Evaluating Retroreflective Pavement Markings Using Portable Hand-Operated Instruments
ASTM E1710	Standard Test Method for Measurement of Retroreflective Pavement Marking Materials with CEN-Prescribed Geometry Using a Portable Retroreflectometer
ASTM E2302	Standard Test Method for Measurement of the Luminance Coefficient Under Diffuse Illumination of Pavement Marking Materials Using a Portable Reflectometer
ASTM G154	Standard Practice for Operating Fluorescent Ultraviolet (UV) Lamp Apparatus for Exposure of Nonmetallic Materials

MATERIAL REQUIREMENTS

ASTM D476	Standard Classification for Dry Pigmentary Titanium Dioxide Products
40 CFR Part 60, Appendix A-7, Method 24	Determination of volatile matter content, water content, density, volume solids, and weight solids of surface coatings
29 CFR Part 1910.1200	Hazard Communication
FED SPEC TT-B-1325D	Beads (Glass Spheres) Retro-Reflective
American Association of State Highway and Transportation Officials (AASHTO) M247	Standard Specification for Glass Beads Used in Pavement Markings
FED SPEC TT-P-1952E	Paint, Traffic and Airfield Marking, Waterborne

Commercial Item Description A-A-2886B

Paint, Traffic, Solvent Based

FED STD 595

Colors used in Government Procurement

AC 150/5340-1

Standards for Airport Markings

END OF ITEM P-620

Intentionally Left Blank

Item P-621 Saw-Cut Grooves

DESCRIPTION

621-1.1 This item consists of providing a skid resistant surface that prevents hydroplaning during wet weather in accordance with these specifications and at the locations shown on the plans, or as directed by the Engineer.

SKID-RESISTANT SURFACES. The method for determining the need for saw-cut grooves can be found in advisory circular (AC) 150/5320-12.

CONSTRUCTION METHODS

621-2.1 Procedures. The Contractor shall submit to the Engineer the grooving sequence and method of placing guide lines to control grooving operation. Transverse grooves saw-cut in the pavement must form a 1/4 inch (+1/16 inch, -0 inch) wide by 1/4 inch ($\pm 1/16$ inch) deep by 1-1/2 inch (-1/8 inch, +0 inch) [6 mm (+2 mm, -0 mm) wide by 6 mm (± 2 mm) deep by 38 mm (-3 mm, +0 mm)] center-to-center configuration. The grooves must be continuous for the entire runway length. They must be saw-cut transversely (perpendicular to centerline) in the runway and high-speed taxiway pavement to not less than [10 feet (3 m)] from the runway pavement edge to allow adequate space for equipment operation.

The saw-cut grooves must meet the following tolerances. The tolerances apply to each day's production and to each piece of grooving equipment used for production. The Contractor is responsible for all controls and process adjustments necessary to meet these tolerances. The Contractor shall routinely spot check for compliance each time the equipment aligns for a grooving pass.

a. Alignment tolerance. The grooves shall not vary more than $\pm 1/2$ inch (38 mm) in alignment for 75 feet (23 m) along the runway length, allowing for realignment every 500 feet (150 m) along the runway length.

b. Groove tolerance. Depth. The standard depth is 1/4 inch (6 mm). At least 90% of the grooves must be at least 3/16 inch (5 mm), at least 60% of the grooves must be at least 1/4 inch (6 mm), and not more than 10% of the grooves may exceed 5/16 inch (8 mm).

c. Width. The standard width is 1/4 inch (6 mm). At least 90% of the grooves must be at least 3/16 inch (5 mm), at least 60% of the grooves must be at least 1/4 inch (6 mm), and not more than 10% of the grooves may exceed 5/16 inch (8 mm).

d. Center-to-center spacing. The standard spacing is 1-1/2 inch (38 mm). Minimum spacing 1-3/8 inch (34 mm). Maximum spacing 1-1/2 inch (38 mm).

Saw-cut grooves must not be closer than 3 inches (8 cm) or more than 9 inches (23 cm) from transverse joints in concrete pavements. Grooves must not be closer than 6 inches (150 mm) and no more than 18 inches (0.5 m) from in-pavement light fixtures. Grooves may be continued through longitudinal construction joints. Where neoprene compression seals have been installed and the compression seals are

recessed sufficiently to prevent damage from the grooving operation, grooves may be continued through the longitudinal joints. Where neoprene compression seals have been installed and the compression seals are not recessed sufficiently to prevent damage from the grooving operation, grooves must not be closer than 3 inches (8 cm) or more than 5 inches (125 mm) from the longitudinal joints. Where lighting cables are installed, grooving through longitudinal or diagonal saw kerfs shall not be allowed.

The 10-foot (3 m) distance from the pavement edge allows adequate space for equipment operation. Grooving to within one or two feet (0.3 to 0.6 m) from the pavement edge may be possible when adequate paved shoulder area is available.

Coordinate grooving limits with the airport Owner and military service when an arresting gear is located on the runway.

The Engineer may require a written report from the Contractor indicating how many times production was adjusted including blade replacement.

Surface variability may require more testing than the minimum of three per day per grooving machine.

621-2.2 Environmental requirements. Grooving operations will not be permitted when freezing conditions prevent the immediate removal of debris and/or drainage of water from the grooved area. Discharge and disposal of waste slurry shall be the Contractor’s responsibility.

621-2.3 Test section. Groove a test section in an area of the pavement outside of the trafficked area, as approved by the Engineer. The area shall be [___] feet ([___] m) long by two lanes wide. Demonstrate the setup and alignment process, the grooving operation, and the waste slurry disposal.

621-2.4 Existing pavements. Bumps, depressed areas, bad or faulted joints, and badly cracked and/or spalled areas in the pavement shall not be grooved until such areas are adequately repaired or replaced.

621-2.5 New pavements. New asphalt concrete pavements shall be allowed to cure for a minimum of 30 days before grooving, to allow the material to become stable enough to prevent closing of the grooves under normal use. Permit new Portland cement concrete pavements to cure for a minimum of 28 days before grooving. Spalling along or tearing or raveling of the groove edges shall not be allowed.

If it can be demonstrated that grooves are stable with no spalling along or tearing or raveling of the groove edges then grooving sooner than 30 days can be specified.

621-2.6 Grooving machine. Provide a grooving machine that is power driven, self-propelled, specifically designed and manufactured for pavement grooving, and has a self-contained and integrated continuous slurry vacuum system as the primary method for removing waste slurry. The grooving machine shall be equipped with diamond-saw cutting blades, and capable of making at least 18 inches (0.5 m) in width of multiple parallel grooves in one pass of the machine. Thickness of the cutting blades shall be capable of making the required width and depth of grooves in one pass of the machine. The cutting head shall not contain a mixture of new and worn blades or blades of unequal wear or diameter. Match the blade type and configuration with the hardness of the existing airfield pavement. The wheels on the grooving machine shall be of a design that will not scar or spall the pavement. Provide the machine with devices to control depth of groove and alignment.

621-2.7 Water supply. Water for the grooving operation shall be provided by the Contractor.

621-2.8 Clean-up. During and after installation of saw-cut grooves, the Contractor must remove from the pavement all debris, waste, and by-products generated by the operations to the satisfaction of the Engineer. Cleanup of waste material must be continuous during the grooving operation. Flush debris produced by the machine to the edge of the grooved area or pick it up as it forms. The dust coating remaining shall be picked up or flushed to the edge of the area if the resultant accumulation is not detrimental to the vegetation or storm drainage system. Accomplish all flushing operations in a manner to prevent erosion on the shoulders or damage to vegetation. Waste material must be disposed of in an approved manner. Waste material must not be allowed to enter the airport storm sewer system. The Contractor must dispose of these wastes in strict compliance with all applicable state, local, and Federal environmental statutes and regulations

621-2.9 Repair of damaged pavement. Grooving must be stopped and damaged pavement repaired at the Contractor’s expense when, in the opinion of the Engineer, the result of the grooving operation will be detrimental to aircraft tires.

[621-2.10 Production rate. The Contractor must furnish sufficient equipment to groove [square yards] of pavement [per hour] [per day].]

The Engineer may wish to specify a production rate depending on schedule. Delete paragraph if not used.

ACCEPTANCE

621-3.1 Acceptance testing. Grooves will be accepted based on results of zone testing. All acceptance testing necessary to determine conformance with the groove tolerances specified will be performed by the Engineer.

Instruments for measuring groove width and depth must have a range of at least 0.5 inch (12 mm) and a resolution of at least 0.005 inch (0.13 mm). Gauge blocks or gauges machined to standard grooves width, depth, and spacing may be used.

Instruments for measuring center-to-center spacing must have a range of at least 3 inches (8 cm) and a resolution of at least 0.02 inch (0.5 mm).

The Engineer will measure grooves in five zones across the pavement width. Measurements will be made at least three times during each day’s production. Measurements in all zones will be made for each cutting head on each piece of grooving equipment used for each day’s production.

The five zones are as follows:

- Zone 1 Centerline to 5 feet (1.5 m) left or right of the centerline.
- Zone 2 5 feet (1.5 m) to 25 feet (7.5 m) left of the centerline.
- Zone 3 5 feet (1.5 m) 25 feet (7.5 m) right of the centerline.
- Zone 4 25 feet (7.5 m) to edge of grooving left of the centerline.
- Zone 5 25 feet (7.5 m) to edge of grooving right of the centerline.

At a random location within each zone, five consecutive grooves sawed by each cutting head on each piece of grooving equipment will be measured for width, depth, and spacing. The five consecutive measurements must be located about the middle blade of each cutting head ± 4 inches (100 mm). Measurements will be made along a line perpendicular to the grooves.

Width or depth measurements less than 0.170 inch (4 mm) shall be considered less than 3/16 inch (5 mm).

Width or depth measurements more than 0.330 inch (8 mm) shall be considered more than 5/16 inch (8 mm).

Width or depth measurements more than 0.235 inch (6 mm) shall be considered more than 1/4 inch (6 mm).

Production must be adjusted when more than one groove on a cutting head fails to meet the standard depth, width, or spacing in more than one zone.

METHOD OF MEASUREMENT

621-4.1 The quantity of grooving to be paid for shall be the number of square yards (square meters) of grooving performed in accordance with the specifications and accepted by the Engineer per paragraph 621-3.1.

BASIS OF PAYMENT

621-5.1 Payment for saw-cut grooving. Payment for saw-cut grooving will be made at the contract unit price per square yard (square meter) for saw-cut grooving. This price shall be full compensation for furnishing all materials, and for all preparation, delivering, and application of these materials, and for all labor, equipment, tools, and incidentals necessary to complete the item.

Payment will be made under:

Item P-621-5.1 Grooving, unit price per square yard (square meter)

END OF ITEM P-621

Item P-626 Emulsified Asphalt Slurry Seal Surface Treatment

DESCRIPTION

This type of surface treatment is approved for use on general aviation airports serving small airplanes 12,500 lbs (5670 kg) or less. The Engineer, with FAA approval, may specify this item for airports serving airplanes 60,000 lbs (27216 kg) or less.

626-1.1 This item shall consist of a mixture of emulsified asphalt, mineral aggregate, and water properly proportioned, mixed, and spread on an asphalt pavement surface, including airport pavements serving [small] airplanes [12,500 lbs (5670 kg) or less], roads, and other general applications. The application of the surface treatment shall be in accordance with these specifications and shall conform to the dimensions shown on the plans or as directed by the Engineer.

MATERIALS

626-2.1 Aggregate. The aggregate shall consist of sound and durable manufactured sand, slag, crusher fines, crushed stone, or a combination. The aggregate shall be clean and free from vegetable matter, dirt, and other deleterious substances. The aggregate shall have a sand equivalent of not less than [45] percent when tested in accordance with ASTM D2419. The aggregate shall show a loss of not more than [35] percent when tested in accordance with ASTM C131. The sodium sulfate soundness loss shall not exceed [12] percent, or the magnesium soundness loss shall not exceed [20] percent after 5 cycles when tested in accordance with ASTM C88. Aggregate shall be 100 percent crushed.

The sand equivalent should not be less than 45. The percent loss when tested under ASTM C131 should not exceed 35. The sodium sulfate loss should not exceed 12%; the magnesium sulfate loss should not exceed 20%. In certain specific cases, where aggregates complying with these requirements cannot be economically obtained, aggregates with a higher percentage loss (15% using sodium sulfate and 25% using magnesium sulfate has been used) or wear may be specified, provided a satisfactory service record under similar conditions of service and exposure has been demonstrated.

The combined aggregate shall conform to the gradation shown in Table 1 when tested in accordance with ASTM C136 and ASTM C117.

Table 1. Gradation Of Aggregates

Sieve Size	Percent by Weight Passing Sieve
	Type *
3/8 inch (9 mm)	*
No. 4 (4.75 mm)	*
No. 8 (2.36 mm)	*
No. 16 (1.18 mm)	*
No. 30 (600 micro m)	*
No. 50 (300 micro m)	*
No. 100 (150 micro m)	*
No. 200 (75 micro m)	*
Residual asphalt content percent dry weight of aggregate	*

The Engineer shall select the gradation and insert in Table 1 above.

Table 1. Gradation Of Aggregates

Sieve Size	Percent by Weight Passing Sieve			
	Type I	Type II	Type III	Type IA
3/8 inch (9 mm)	100	100	100	100
No. 4 (4.75 mm)	100	90 - 100	70 - 90	98 - 100
No. 8 (2.36 mm)	90 - 100	65 - 90	45 - 70	85 - 95
No. 16 (1.18 mm)	65 - 90	45 - 70	28 - 50	50 - 75
No. 30 (600 micro m)	40 - 65	30 - 50	19 - 34	30 - 50
No. 50 (300 micro m)	25 - 42	18 - 30	12 - 25	18 - 35
No. 100 (150 micro m)	15 - 30	10 - 21	7 - 18	10 - 21
No. 200 (75 micro m)	10 - 20	5 - 15	5 - 15	5 - 10
Residual asphalt content percent dry weight of aggregate	10% - 16%	7.5% - 13.5%	6.5% - 12%	9% - 13.5%

Table 1 – Gradation of Aggregates. Projects that have specified coarser aggregate gradations have reported problems with excessive tire wear. The coarser Type I gradation will provide considerable skid resistance and may be considered for most projects. The finer Type II gradation will provide sufficient friction and will not cause excessive tire wear. Tire wear appears to be related to the amount of material passing the #4 and retained on the #8 sieve; with no more than 10-15% retained on the #8 sieve to minimize tire wear while maintaining sufficient friction.

The job mix formula (mix design) shall be run using aggregate within the gradation band for the desired type shown in Table 1. Once the mix design has been submitted and approved by the Engineer, the aggregate used on the project shall not vary by more than the tolerances shown in Table 2. At no time shall the aggregate used go out of the gradation band in Table 1.

The aggregate will be accepted at the job location or stockpile based on five gradation test samples in accordance with ASTM D75. If the average of the five tests is within the gradation tolerances, then the materials will be accepted. If the tests show the material to be out of tolerance, the Contractor will be given the choice either to remove the material or blend other aggregates with the stockpile material to bring it into specification. Materials used in blending shall meet the quality tests before blending and shall be blended in a manner to produce a consistent gradation. This blending may require a new mix design.

Screening shall be required at the project stockpile site if there are oversize materials in the mix.

Precautions shall be taken to prevent segregation of the aggregate in storing and handling. The stockpile shall be kept in areas that drain readily.

The aggregate gradation band applicable to a project shall be specified by the Engineer from the gradations shown in Table 1. The appropriate gradation shall be shown on the plans. Type I gradation is used for maximum crack penetration and is usually used in low density traffic areas where the primary objective is sealing. Type II and Type III gradations are used to seal and improve skid resistance. Type III gradation is not recommended for runway use by the International Slurry Surfacing Association (ISSA).

a. Aggregate Tolerance. Once the mix design has been accepted, the aggregate gradation used on the project may vary from the aggregate gradation used in the mix design on each sieve by the percentages shown in Table 2. If the project aggregate fails to remain within this tolerance, a new mix design will be required by the Engineer at the expense of the Contractor.

Table 2. Aggregate Tolerance

Sieve Size	Tolerance, percent by weight passing sieve
3/8 inch (9 mm)	
No. 4 (4.75 mm)	±5%
No. 8 (2.36 mm)	±5%
No. 16 (1.18 mm)	±5%
No. (600 micro m)	±5%
No. 50 (300 micro m)	±4%
No. 100 (150 micro m)	±3%
No. 200 (75 micro m)	±2%
Residual Asphalt, percent dry weight of aggregate	±1%

626-2.2 Mineral filler. If mineral filler, in addition to that naturally present in the aggregate, is necessary, it shall meet the requirements of ASTM D242 and shall be used in the amounts required by the mix design. The mineral filler shall be considered as part of the aggregate.

626-2.3 Emulsified asphalt. The emulsified asphalt shall conform to the requirements of ASTM D[977 and/or 2397] and shall be [SS,][CSS,][CQS,][or QS] type emulsions.

The cement mixing test is waived for these slurry type emulsions. The emulsified asphalt shall be either anionic or cationic, whichever is best suited to the aggregate and job conditions to be encountered. The type of emulsified asphalt to use will be determined by the mix design. The Engineer shall specify the type of emulsion and the controlling specification, which shall be from ASTM D977 or ASTM D2397, and the material shall be SS, CSS, CQS, or QS.

626-2.4 Water. All water used in making the slurry shall be potable and free from harmful soluble salts and chemicals.

COMPOSITION AND APPLICATION

626-3.1 Composition. The slurry seal shall consist of a mixture of emulsified asphalt, mineral aggregate, and water.

626-3.2 Job mix formula. The mix design shall be developed by a laboratory with experience in designing slurry seal mixes and a signed copy shall be submitted in writing by the Contractor to the Engineer at least 10 days prior to the start of operations. No slurry seal for payment shall be placed until a mix design has been approved by the Engineer.

The laboratory report (mix design) shall indicate the proportions of aggregates, mineral filler (minimum and maximum), water (minimum and maximum) and asphalt emulsion based on the dry aggregate weight. It shall also report the quantitative effects of moisture content on the unit weight of the aggregate (bulking effects). The mix design shall be in effect until modified in writing by the Engineer. If the sources of materials change, a new mix design shall be established before the new material is used.

The main items of design in emulsified asphalt slurry seals are aggregate gradation, emulsified asphalt content, and consistency of the mixture. The aggregates, emulsified asphalt, and water should form a creamy-textured slurry that, when spread, will flow ahead of the strike-off squeegee. This will allow the slurry to flow down into the cracks in the pavement and fill them before the strike-off passes over. Technical Bulletin No. 111, Outline Guide Design Procedure for Slurry Seal, and publication A-105 Recommended Performance Guideline for Emulsified Asphalt Slurry Seal published by the ISSA contains information to aid designers of slurry mixes.

The Contractor shall submit to the Engineer for approval a complete mix design on the materials proposed for use, prepared and certified by an approved laboratory. Compatibility of the aggregate, emulsion, mineral filler, and other additives shall be verified by the mix design. The mix design shall be made with the same aggregate and grade of emulsified asphalt that the Contractor will provide on the project. At a minimum the required tests and values needed are as follows:

	Description	Specification
ISSA TB-100	Wet track abrasion loss one hour soak	50 g/ft ² Max (538 g/m ²)
ISSA TB-115	Determination of Slurry System Compatibility	Pass

626-3.3 Application rate. Unless otherwise specified, the slurry seal shall be applied at the application rates shown in Table 3.

Table 3. Slurry Application Rates

Mix Measurement	*
Pounds of mixture per square yard	*
Kilograms of mixture per square meter	*

The Engineer shall select the application rate for the applicable gradation from the table below and insert in Table 3 above.

Table 3. Slurry Application Rates

Mix Measurement	Type I	Type II	Type III	Type IA
Pounds of mixture per square yard	8 - 12	12 - 20	18 - 30	10 - 16
Kilograms of mixture per square meter	4.3 - 6.5	6.5 - 10.9	9.8 - 16.3	5.4 - 8.6

The rate of application shall not vary more than ±2 pounds per square yard (±1.1 km per square meter).

626-3.4 Test sections. Test sections shall be placed prior to the start of the slurry seal work in the presence of the Engineer. The test area will be located on the existing pavement and designated by the Engineer. Test strips shall be made by each machine after calibration. Samples of the slurry seal may be taken and the mix consistency verified by using ISSA TB-106 Measurement of Slurry Seal Consistency test. In addition, the proportions of the individual materials may be verified by the Engineer by using the calibration information provided after machine calibration. If any test does not meet specification requirements, additional tests shall be made at the expense of the Contractor, until an acceptable test strip is placed.

A qualified slurry seal contractor’s representative shall be present in the field to assist the Contractor in applying test areas and/or test sections to determine the optimum application rate of both emulsion and aggregate.

The test section(s) affords the Contractor and the Engineer an opportunity to determine the quality of the mixture in place as well as the performance of the equipment.

The application rate depends on the surface texture.

If operational conditions preclude placement of a test section on the pavement to be treated, the test section may be applied on a pavement with similar surface texture.

CONSTRUCTION METHODS

626-4.1 Weather limitations. The slurry seal shall not be applied if either the pavement or air temperature is below 50°F (10°C) and falling but may be applied when both pavement and air temperature are above 45°F (7°C) and rising. No slurry seal shall be applied when there is danger that the finished product will freeze before 24 hours. The mixture shall not be applied when weather conditions prolong opening to traffic beyond a reasonable time.

The Engineer should not specify a lower permissible temperature range than that stated in paragraph 626-4.1, since slurry placed at lower temperatures usually will not cure properly due to poor dehydration and poor asphalt coalescence.

626-4.2 Equipment and tools. The Contractor shall furnish all equipment, tools, and machinery necessary for the performance of this work.

a. Slurry mixing equipment. The machine shall be specifically designed and manufactured to lay slurry seal. The material shall be mixed by a self-propelled slurry seal mixing machine of either truck mounted or continuous run design. Either type machine shall be able to accurately deliver and proportion the aggregate, emulsified asphalt, mineral filler, and water to a revolving mixer and discharge the mixed product on a continuous flow basis. The machine shall have sufficient storage capacity for materials to maintain an adequate supply to the proportioning controls.

If continuous run equipment is used, the machine shall be equipped to allow the operator full control of the forward and reverse speed of the machine during application of the slurry seal, with a self-loading device, with opposite side driver stations, all part of original equipment manufacturer design.

The aggregate shall be pre-wetted immediately prior to mixing with the emulsion. The mixing unit of the mixing chamber shall be capable of thoroughly blending all ingredients. No excessive mixing shall be permitted. The mixing machine shall be equipped with a fines feeder that provides an accurate metering device or method to introduce a predetermined proportion of mineral filler into the mixer at the same time and location that the aggregate is fed into the mixer.

The mixing machine shall be equipped with a water pressure system and fog-type spray bar adequate for complete fogging of the surface with an application of 0.05 to 0.10 gallon per square yard (0.23 to 0.45 liter per square meter) preceding the spreading equipment.

Sufficient machine storage capacity to mix properly and apply a minimum of 5 tons (4500 kg) of the slurry shall be provided. Proportioning devices shall be calibrated prior to placing the slurry seal.

b. Slurry spreading equipment. The mixture shall be spread uniformly by means of a conventional surfacing spreader box attached to the mixer and equipped to agitate and spread the material evenly throughout the box. A front seal shall be provided to ensure no loss of the mixture at the surface contact point. The rear seal shall act as the final strike-off and shall be adjustable. The spreader box and rear strike-off shall be designed and operated to produce a free flow of material of uniform consistency to the rear strike-off. The spreader box shall provide suitable means to side shift the box to compensate for

variations in the pavement geometry. A burlap drag or other approved screed may be attached to the rear of the spreader box to provide a uniform mat.

c. Auxiliary equipment. Other tools or equipment such as brushes, hand squeegees, hose equipment, tank trucks, water distributors and flushers, power blowers, barricades, etc., shall be provided as required.

d. Roller. The roller, if required, shall be a self-propelled pneumatic-tired roller capable of exerting a contact pressure during rolling of 50 lb / sq inch (350 Newtons per square meter). It shall be equipped with a water spray system, to be used if the slurry is picking up on the tires during rolling.

e. Tack coat and distributor. Normally a tack coat is not required unless the surface to be covered is extremely dry and raveled or is concrete or brick. If required, the tack coat should consist of one part emulsified asphalt and three parts water. The emulsified asphalt may be the same as that used in the mix. Pressure distributors used for application of the diluted asphalt emulsion tack coat shall be self-propelled, equipped with pneumatic tires, and capable of uniformly applying 0.05 to 0.15 gallon per square yard (0.23 to 0.68 liter per square meter) of the diluted emulsion over the required width of application. Distributors shall be equipped with tachometers, pressure gauges, and volume-measuring devices. The tack coat shall be applied at least two (2) hours before the slurry seal but within the same day.

626-4.3 Equipment calibration. Each slurry mixing unit to be used on the project shall be calibrated in the presence of the Engineer prior to construction. Previous calibration documentation covering the exact materials to be used may be accepted by the Engineer provided they were made during the calendar year. The documentation shall include an individual calibration of each material at various settings, which can be related to the machine's metering devices. No machine will be allowed to work on the project until the calibration has been completed and/or accepted by the Engineer.

626-4.4 Preparation of existing surface. Clean pavement surface immediately prior to placing the seal coat by sweeping, flushing well with water leaving no standing water, or a combination of both, so that it is free of dust, dirt, grease, vegetation, oil or any type of objectionable surface film. Remove oil or grease that has not penetrated the asphalt pavement by scraping or by scrubbing with a detergent, then wash thoroughly with clean water. After cleaning, treat these areas with the oil spot primer. Any additional surface preparation, such as crack repair, shall be in accordance with paragraph 101-3.6.

626-4.5 Application of slurry seal surface treatment. The surface shall be prewet by fogging ahead of the slurry spreader box. Water used in prewetting the surface shall be applied at such a rate that the entire surface is damp with no apparent flowing water in front of the slurry spreader box. The slurry mixture shall be of the desired consistency when deposited on the surface, and no additional elements shall be added. Total time of mixing shall not exceed two (2) minutes. A sufficient amount of slurry shall be carried in all parts of the spreader box at all times so that complete coverage of all surface voids and cracks is obtained. Care shall be taken not to overload the spreader box which shall be towed at a slow and uniform rate not to exceed 5 miles per hour (8 km per hour). No lumping, balling, or unmixed aggregate shall be permitted. No segregation of the emulsion and fines from the coarse aggregate will be permitted. If the coarse aggregate settles to the bottom of the mix, the slurry shall be removed from the pavement surface. A sufficient amount of slurry shall be fed into the box to keep a full supply across the full width of the spreader box. The mixture shall not be permitted to overflow the sides of the spreader box. No breaking of the emulsion will be allowed in the spreader box. The finished surface shall have no more than four (4) tear or drag marks greater than 1/2 inch (12 mm) wide and 4 inch (100 mm) long in any 12-foot (3.7-m) by 22-foot (25-sq m) section. It shall have no tear or drag marks greater than 1 inch (25 mm) wide and 3 inch (15 mm) long.

The finished surface shall have no transverse ripples of 1/4 inch (6 mm) or more in depth, as measured with a 12-foot (3.7 meter) straightedge laid upon the surface.

Adjacent lanes shall be lapped at the edges a minimum of 2 inch (50 mm) with a maximum of 4 inch (100 mm) to provide complete sealing at the overlap. Construction longitudinal and transverse joints shall be

neat and uniform without buildup, uncovered areas, or unsightly appearance. All joints shall have no more than 1/4 inch (6 mm) difference in elevation when measured across with a 12-foot (3.7 meter) straightedge.

Generally, where normal traffic will iron out the slurry and close any hairline cracks of dehydration, it is not necessary to roll a normal thickness, 1/4 inch (6 mm) or less, slurry seal. However, in some instances the somewhat lattice-like structure of the slurry should be densified by pneumatic-tire rolling to improve durability, such as areas subjected to severe braking or acceleration. Rolling of the slurry seal is at the option of the Engineer and, if required, shall be designated in the plans.

If rolling is required by the Engineer, the surface shall be subjected to a minimum of two full coverage passes by the roller. These rolling passes are to be done as soon as the slurry mixture will support the roller without damage. When the surface of the existing pavement is irregular or broken, it shall be repaired or brought to uniform grade and cross-section by patching as directed in the project plans. With the exception of standard debris cleaning, all other repairs, crack sealing, and required removal of materials shall be a line item in the bid and noted in the plans.

The fresh slurry seal application shall be protected by barricades and markers and permitted to dry for four (4) to 24 hours, depending on weather conditions. Any damage to uncured slurry shall be repaired at the expense of the Contractor.

In areas where the spreader box cannot be used, the slurry shall be applied by means of a hand squeegee. Upon completion of the work, the seal coat shall have no holes, bare spots, or cracks through which liquids or foreign matter could penetrate to the underlying pavement. The finished surface shall present a uniform and skid resistant texture satisfactory to the Engineer. All wasted and unused material and all debris shall be removed from the site prior to final acceptance.

Upon completion of the project, the Contractor shall sweep the finished surface with a conventional power rotary broom, to remove any potential loose material from the surface. The material removed by sweeping shall be disposed of in a manner satisfactory to the Engineer.

The cured slurry shall have a homogeneous appearance, fill all cracks, adhere firmly to the surface and have a skid resistant texture. The slurry seal will not stop shrinkage and other large thermal cracks from reflecting back through the new slurry surface.

626-4.6 Emulsion material (Contractor’s responsibility). Samples of the emulsion that the Contractor proposes to use, together with a statement as to its source, shall be submitted, and approval shall be obtained before using such material. The Contractor shall submit to the Engineer a manufacturer’s certified report for each consignment of the emulsion. The manufacturer’s certified report shall not be interpreted as a basis for final acceptance. All such reports shall be subject to verification by testing samples of the emulsion received for use on the project.

METHOD OF MEASUREMENT

626-5.1 The emulsified asphalt shall be measured by the [gallon (liter)][ton (kg)]. The amount of emulsified asphalt to be paid for will be measured in gallons at 60°F (L at 16°C). Correct volumes measured at temperatures other than 60°F (16°C) in accordance with ASTM D1250 using a coefficient of expansion of 0.00025 per degree F (0.00045 per degree C) for asphalt emulsion. Only the actual quantity of undiluted emulsified asphalt will be measured for payment.

626-5.2 Aggregate shall be measured by the ton (kg) of dry aggregate. Measurement of the materials shall be by approved weigh scales.

BASIS OF PAYMENT

626-6.1 Payment shall be made at the contract unit price per [gallon (liter)][(ton (kg))] for the emulsified asphalt and at the contract price per ton (kg) for aggregate [and the contract unit price for crack sealing per linear foot][and the contract unit price for surface repair per ton (kg) or square measurement].

These prices shall be full compensation for furnishing all materials, for preparing, mixing, and applying these materials, and for all labor, equipment, tools, and incidentals necessary to complete the item.

Payment will be made under:

- Item P-626-6.1 Emulsified Asphalt for Slurry Coat - per [gallon (liter)][ton (kg)]
- Item P-626-6.2 Aggregate - per ton (kg) of dry aggregate.
- [Item P-626-6.3 Emulsified Asphalt for Tack Coat - per [gallon (liter)][ton (kg)]

TESTING REQUIREMENTS

ASTM C88	Standard Test Method for Soundness of Aggregates by Use of Sodium Sulfate or Magnesium Sulfate
ASTM C117	Standard Test Method for Materials Finer than 75- μ m (No. 200) Sieve in Mineral Aggregates by Washing
ASTM C128	Standard Test Method for Density, Relative Density (Specific Gravity), and Absorption of Fine Aggregate
ASTM C131	Standard Test Method for Resistance to Degradation of Small-Size Coarse Aggregate by Abrasion and Impact in the Los Angeles Machine
ASTM C136	Standard Test Method for Sieve or Screen Analysis of Fine and Coarse Aggregates
ASTM D75	Standard Practice for Sampling Aggregates
ASTM D2419	Standard Test Method for Sand Equivalent Value of Soils and Fine Aggregate
ISSA A-105	Recommended Performance Guidelines for Emulsified Asphalt Slurry Seal
ISSA TB-100	Test Method for Wet Track Abrasion of Slurry Surfacing Systems

ISSA TB-106	Test Method for Measurement of Slurry Seal Consistency
ISSA TB-111	Outline Guide Design Procedure for Slurry Seal
ISSA TB-115	Determination of Slurry System Compatibility

MATERIAL REQUIREMENTS

ASTM D242	Standard Specification for Mineral Filler for Bituminous Paving Mixtures
ASTM D977	Standard Specification for Emulsified Asphalt
ASTM D2397	Standard Specification for Cationic Emulsified Asphalt

END OF ITEM P-626

Item P-629 Thermoplastic Coal Tar Emulsion Surface Treatments

DESCRIPTION

This type of surface treatment is approved for use on general aviation airports serving small airplanes 12,500 lbs (5670 kg) or less. The Engineer, with FAA approval, may specify this item for airports serving airplanes 60,000 lbs (27216 kg) or less.

With growing environmental/safety regulations, more states and local authorities are prohibiting the use of coal tar products. The Engineer must verify the selected materials comply with local authority requirements.

629-1.1. This item shall consist of an application of a thermoplastic resin coal tar emulsion [Micro-Surface,][Sand Slurry Seal,][Spray Seal Coat,] applied to an existing, previously prepared asphalt surface, including airport pavements serving small airplanes [12,500 lbs (5670 kg) or less], roads, and other general applications. Thermoplastic resin coal tar emulsion products provide a fuel-resistant surface where pavements are subjected to fuel spills. Thermoplastic resin coal tar emulsion products assist in pavement preservation through reducing the rate of pavement oxidation. The application of the surface treatment shall be in accordance with these specifications and shall conform to the dimensions shown on the plans or as directed by the Engineer.

MATERIALS

629-2.1 Thermoplastic coal tar emulsion. The emulsion material shall be a thermoplastic coal tar emulsion made up of plastic resin and emulsified coal tar pitch. The thermoplastic coal tar emulsion shall be manufactured as a complete product and tested at the manufacturing plant for material certification. The water content of the emulsion shall not exceed 48% \pm 1% when tested in accordance with ASTM D244, paragraph 3.

A dried film shall contain a minimum of 89% of a combination of plastic resin and coal tar with the remaining percentage being inorganic filler. The dried emulsion shall have a softening point greater than 212°F (100°C) when tested in accordance with ASTM D36. A film of the dried emulsion material, 8 mils thick, shall stretch to five (5) times its original length at 70°F (21°C) without breaking, and recover 35% of this length in one minute.

629-2.2 Material certification. The Contractor shall furnish the manufacturer's certification that each consignment of thermoplastic coal tar emulsion shipped to the project meets the requirements indicated in 629-2.1 and elsewhere in this specification. The Certification shall include actual results of each test and date of when test was performed. The Contractor shall submit a certification that the material proposed has been in field use for a minimum of two (2) years.

629-2.3 Fuel resistance testing. The cured thermoplastic coal tar emulsion sample must pass the fuel-resistance test outlined in Appendix A.

629-2.4 Water. The water used in mixing shall be potable and free from harmful soluble salts. The temperature of the water added during mixing shall be at least 50°F (10°C). The pH of the water added during mixing shall conform to the requirements of the thermoplastic coal tar emulsion manufacturer.

629-2.5 Handling and storage. The mixture shall be continuously agitated from the time it had been mixed until its application on the pavement surface. The distributor or applicator, pumps and all tools shall be maintained in satisfactory working condition. Spray bar nozzles, pumps, or other equipment can be cleaned mechanically or with clean water.

629-2.6 Health, safety, and environment. The Contractor must provide a complete Material Safety Data Sheet (MSDS) in accordance with U.S. Department of Labor, Occupational Safety and Health Administration (OSHA), Regulations (Standards – 29 CFR), 1910.1200 which establishes the requirement and minimum information for the MSDS for hazardous materials. The MSDS, Section II, shall include the Chemical Abstracts Service (CAS) registry numbers for all applicable hazardous ingredients in the coal tar emulsion product. The Contractor must provide the manufacturer’s certification that the product complies with the Code of Federal Regulation (CFR) Title 40 – Protection of Environment. The manufacturer’s certification shall address compliance for Air Programs, Part 59, National Volatile Organic Compound Emission Standards for Consumer and Commercial Products (for the airport location) and Water Programs, Part 116, Designation of Hazardous Substances.

COMPOSITION AND APPLICATION

[]

The Engineer shall select one of the following options for paragraphs 629-3.0 to 629-3.3 based on whether the project is for (1) Thermoplastic Coal Tar Emulsion [Micro-Surface Type A] [Micro-Surface Type B], (2) Thermoplastic Coal Tar Emulsion Slurry Seal, or (3) Spray Seal Coat [with] [without] Sand Aggregate.

FOR THERMOPLASTIC COAL TAR EMULSION MICRO-SURFACE, INSERT THE FOLLOWING PARAGRAPHS FOR PARAGRAPH 629-3.0 TO 629-3.3:

629-3.0 Thermoplastic coal tar emulsion micro-surface.

Type A Aggregate Thermoplastic Coal Tar Emulsion Micro-Surface generally can be used for:

- Existing pavements that are moderately rough and raveled and require a substantially improved surface profile or wearing surface.
- Pavements that may require improvement of skid-resistance.

- Areas that require wear protection, oxidation protection and chemical/fuel resistance.

Type B Aggregate Thermoplastic Coal Tar Emulsion Micro-Surface generally can be used for:

- Existing pavements that are raveled or smooth and require an improved surface profile or wearing surface.
- Pavements that may require improvement of skid-resistance.
- Areas that require wear protection, oxidation protection and chemical/fuel resistance.

629-3.1 Quantities of materials per square yard. Based on the data in this specification, the Contractor shall submit the proportions of water, thermoplastic coal tar emulsion, and aggregate proposed for use to the Engineer for approval prior to the start of operations. A copy of the mix design and test data required by this specification shall be submitted to the Engineer for approval along with the above information. No thermoplastic coal tar emulsion micro-surface shall be produced for payment until a job mix formula has been approved in writing by the Engineer.

The approximate amounts of materials per square yard (square meter) for the micro-surface treatment shall be as provided in the Application Rate table.

Application Rate

Aggregate Type	Compositionⁱ lbs/gal (kg/l)	Application Rateⁱⁱ lb/yd² (kg/m²)
A	21-23 (2.52-2.75)	8 (4.34)
B	19-21 (2.28-2.52)	6.5 (3.53)

- Aggregate (lbs) shall be mixed homogeneously with the thermoplastic coal tar emulsion (gals).
- Minimum application rate of uncured thermoplastic coal tar emulsion micro-surface.

629-3.2 Aggregate. The aggregate shall consist of sound, durable crushed igneous type stone (crushed basalt, granite, trap rock, etc.), be free from films of matter that would prevent thorough coating and bonding with the bituminous material and free from coatings of clay, organic matter, and other deleterious materials. The percentage of wear shall not be greater than 35% when tested in accordance with ASTM C131. The aggregate shall meet the gradation in the table below for Type A and for Type B when tested in accordance with ASTM C136.

The Contractor shall provide a certification showing particle size analysis and properties of the material delivered for use on the project.

Aggregate Material Gradation Requirements

Sieve Designation (square openings)	Percentage by Weight Passing Sieves	
	Type A	Type B
No. 4 (4.75mm)	100	100
No. 8 (2.38 mm)	75-95	95-100
No. 16 (1.19 mm)	50-75	75-95
No. 30 (0.60 mm)	30-65	35-65
No. 50 (0.30 mm)	20-50	20-45
No. 100 (0.15 mm)	15-25	10-20
No. 200 (0.07 mm)	5-20	10-20

629-3.3 Application

a. Application of tack coat. After preparation of the pavement and acceptance by the Engineer, the tack coat shall be applied to the pavement surface only where micro-surface will be applied. Apply a tack coat of thermoplastic coal tar emulsion diluted with 50% water at the rate of 0.10 gallons of mix per square yard (0.45 l/m²).

b. Application of micro-surface. The surface shall be pre-wet by fogging ahead of the spreader box. Water used in pre-wetting the surface shall be applied at such a rate that the entire surface is damp with no apparent flowing water in front of the spreader box. If temperatures are in the colder acceptable range the rate of fogging may be decreased. The mixture shall be of the desired consistency when deposited on the surface, and no additional elements shall be added. A sufficient amount of mixture shall be carried in the spreader box at all times so that even distribution is obtained. No clumped or unmixed aggregate shall be permitted. No segregation of the emulsion and aggregate fines from the coarse aggregate will be permitted.

Upon completion of the work, the thermoplastic coal tar emulsion micro-surface shall have no bare spots or cracks through which liquids or foreign matter could penetrate to the underlying pavement. The finished surface shall present a uniform texture.

In areas where the spreader box cannot be used, the thermoplastic coal tar emulsion micro-surface shall be applied by a means of a hand squeegee.

**FOR THERMOPLASTIC COAL TAR EMULSION SAND SLURRY SEAL,
INSERT THE FOLLOWING PARAGRAPHS FOR PARAGRAPH 629-3.0 TO
629-3.3:**

629-3.0 Thermoplastic coal tar emulsion sand slurry seal.

629-3.1 Quantities of materials per square yard. Based on the data in this specification, the Contractor shall submit the proportions of water, thermoplastic coal tar emulsion, and aggregate proposed for use to the Engineer for approval prior to the start of operations. A copy of the mix design and test data required by this specification shall be submitted to the Engineer for approval along with the above information.

No thermoplastic coal tar emulsion sand slurry seal shall be produced for payment until a job mix formula has been approved in writing by the Engineer.

Application Rate

Composition ⁱ lbs/gal (kg/l)	Application Rate ⁱⁱ lb/yd ² (kg/m ²)
15-17 (1.80-2.04)	4 (2.17)

- i. Aggregate (lbs) shall be mixed homogeneously with the thermoplastic coal tar emulsion (gals).
- ii. Minimum application rate of uncured thermoplastic coal tar emulsion sand slurry seal.

629-3.2 Aggregate. The aggregate shall consist of sound, durable crushed igneous type stone (crushed basalt, granite, trap rock, etc.), clean washed masonry sand, or clean washed silica sand, be free from films of matter that would prevent thorough coating and bonding with the bituminous material and free from coatings of clay, organic matter, and other deleterious materials. Aggregate shall have a Mohs hardness of 6 to 8. The aggregate shall meet the gradation in the table below when tested in accordance with ASTM C136.

The Contractor shall provide a certification showing particle size analysis and properties of the material delivered for use on the project. The Contractor's certification may be subject to verification by testing the material delivered for use on the project.

Aggregate Material Gradation Requirements

Sieve Designation (square openings)	Percentage by Weight Passing Sieves
No. 4 (4.75mm)	100
No. 8 (2.38 mm)	90-100
No. 16 (1.19 mm)	75-100
No. 30 (0.60 mm)	55-85
No. 50 (0.30 mm)	30-55
No. 100 (0.15 mm)	0-20
No. 200 (0.07 mm)	0-5

629-3.3 Application.

a. Application of tack coat. After preparation of the pavement and acceptance by the Engineer, the tack coat shall be applied to the pavement surface only where thermoplastic coal tar emulsion sand slurry seal will be applied. Apply a tack coat of thermoplastic coal tar emulsion diluted with 50% water at the rate of 0.10 gallons of mix per square yard (0.45 l/m²).

b. Application of sand slurry seal. The Surface shall be pre-wet by fogging ahead of the spreader box. Water used in pre-wetting the surface shall be applied at such a rate that the entire surface is damp with no apparent flowing water in front of the spreader box. The mixture shall be of the desired consistency when deposited on the surface, and no additional elements shall be added. A sufficient amount of mixture shall be carried in the spreader box at all times so that even distribution is obtained. No clumped or unmixed aggregate shall be permitted. No segregation of the thermoplastic coal tar emulsion and aggregate fines from the coarse aggregate will be permitted.

Upon completion of the work, the thermoplastic coal tar emulsion sand slurry seal shall have no bare spots or cracks through which liquids or foreign matter could penetrate to the underlying pavement. The finished surface shall present a uniform texture.

In areas where the spreader box cannot be used, the thermoplastic coal tar emulsion sand slurry seal shall be applied by a means of a hand squeegee.

**FOR THERMOPLASTIC COAL TAR EMULSION SPRAY SEAL COAT [WITH]
 [WITHOUT] SAND AGGREGATE, INSERT THE FOLLOWING FOR
 PARAGRAPH 629-3.0 TO 629-3.3:**

629-3.0 Thermoplastic coal tar emulsion spray seal coat [with] [without] sand aggregate.

Thermoplastic coal tar emulsion spray seal coat treatments may be used for taxiways and runways with the application of a suitable aggregate to maintain adequate surface friction; airfield secondary and tertiary pavements including shoulders, overruns, roads, parking areas, and other general applications with or without aggregate applied. The thermoplastic coal tar emulsion spray seal coat may be applied to new asphalt pavement and pavements in fair or better condition as defined in ASTM D5340 or advisory circular (AC) 150/5320-17, Airfield Pavement Surface Evaluation and Rating (PASER) Manuals. A thermoplastic coal tar emulsion spray seal coat without aggregate, more commonly called a “fog seal”, can be considered for use on pavements with low to moderate weathered surfaces as defined by ASTM D5340.

629-3.1 Quantities of materials per square yard. Based on the data in this specification, the Contractor shall submit the proportions of water, thermoplastic coal tar emulsion, and aggregate proposed for use to the Engineer for approval prior to the start of operations. A copy of the test data required by this specification shall be submitted to the Engineer for approval along with the above information. No thermoplastic coal tar emulsion spray seal coat shall be produced for payment until approved in writing by the Engineer.

Application Rate without Aggregate

Composition	Application Rate gal/yd² (L/m²)
75% thermoplastic coal tar emulsion and 25% water (±5%)	0.15-0.25 (0.081-0.136)

Application Rate with Aggregate

Application Coat(s)	Compositionⁱ lbs/gal (kg/L)	Application Rateⁱⁱ Per Coat gal/yd² (L/m²)	Total Application Rateⁱⁱ gal/yd² (L/m²)
1	6 (0.72)	0.20-0.30 (0.76-1.14) [”]	0.20-0.30 (0.76-1.14) [”]
2	3 (0.36)	0.10-0.15 (0.38-0.57)	0.20-0.30 (0.76-1.14) [”]

- i. Aggregate (lbs) shall be mixed with the undiluted thermoplastic coal tar emulsion (gals).
- ii. Minimum application rate of uncured thermoplastic coal tar emulsion spray seal coat.

629-3.2 Aggregate. The aggregate material shall be a dry, clean, dust and dirt free, sound, durable, angular shaped manufactured specialty sand, such as that used as an abrasive, with a Mohs hardness of 6 to 8. The Contractor shall submit manufacturer’s technical data and a manufacturer’s certification indicating that the specialty sand meets the requirements of the specification to the Engineer prior to bid. The sand must be approved for use by the Engineer and shall meet the following gradation limits:

Aggregate Material Gradation Requirements

Sieve Designation (square openings)	Percentage by Weight Retained Sieves
No. 20 (0.84 mm)	0-2
No. 30 (0.60 mm)	0-12
No. 40 (0.42 mm)	2-60
No. 50 (0.30 mm)	5-60
No. 70 (0.21 mm)	5-60
No. 100 (0.15 mm)	5-30
No. 140 (0.106 mm)	0-10
No. 200 (0.07 mm)	0-2
Finer than No. 200	0-0.3

The Contractor shall provide a certification showing particle size analysis and properties of the material delivered for use on the project. The Contractor’s certification may be subject to verification by testing the material delivered for use on the project.

The gradations in the table represent the limits in determining aggregate suitability for use in the thermoplastic coal tar emulsion spray seal. The sand gradation used, within the limits designated in the table, shall provide sufficient friction levels to meet or exceed the Maintenance Planning Friction Level in Table 3-2, “Friction Level Classification for Runway Pavement Surfaces” of AC 150/5320-12, Measurement, Construction, and Maintenance of Skid Resistant Airport Pavement Surfaces.

629-3.3 Application.

a. Pavement surfaces which have excessive runoff of seal coat due to excessive amount of material being applied or excessive surface grade shall be treated in two or more applications to the specified application rate at no additional cost to the Owner. Each additional application shall be performed after the prior application of material has penetrated into the pavement.

If low spots and depressions greater than 1/2 inch (12 mm) in depth in the pavement surface cause ponding or puddling of the applied materials, the pavement surface shall be broomed with a broom drag. Brooming shall continue until the pavement surface is free of any pools of excess material. Ponding and/or puddling shall not cause excessive pavement softening and/or additional distress. The Engineer shall inspect and approve areas after brooming.

During all applications, the surfaces of adjacent structures shall be protected to prevent their being spattered or marred. Thermoplastic coal tar emulsion materials shall not be discharged into borrow pits or gutters.

629-3.4 Friction characteristics. For projects where thermoplastic coal tar emulsion spray seal coat is applied on runway and taxiway surfaces, the Contractor shall submit to the Engineer friction tests, from previous airport projects which used the thermoplastic coal tar emulsion spray seal coat in a similar environment, in accordance with AC 150/5320-12, at 40 or 60 mph (65 or 95 km/h) wet, showing, as a minimum; friction value of pavement surface prior to thermoplastic coal tar emulsion spray seal coat application; two values, tested between 24 and 96 hours after application, with a minimum of 24 hours between tests; and one value tested at no less than 180 days or greater than 360 days after the thermoplastic coal tar emulsion spray seal coat application. The results of the two tests between 24 and 96 hours shall indicate friction is increasing at a rate to obtain similar friction value of the pavement surface prior to application, and the long term test shall indicate no apparent adverse effect with time relative to friction values and existing pavement surface. The Contractor shall submit to the Engineer a list of airports which meet the above requirements, as well as technical details on application rates, aggregate rates, and point of contact at these airports to confirm use and success of thermoplastic coal tar emulsion spray seal coat with aggregate. Friction tests shall be submitted from no less than one of the airports on the list and each set of tests described above, must be from one project.

The thermoplastic coal tar emulsion spray seal coat submittal without the required friction performance will not be approved. Friction tests performed on this project cannot be used as a substitute of this requirement.

CONSTRUCTION METHODS

629-4.1 Worker safety. The thermoplastic coal tar emulsion surface treatment product shall be handled with caution. The Contractor shall obtain a MSDS for both the thermoplastic coal tar emulsion product and sand and require workmen to follow the manufacturer’s recommended safety precautions.

629-4.2 Weather limitations. The material shall not be applied when the humidity or impending weather conditions will not allow proper drying or when the atmospheric or pavement temperature is below 50°F (10°C), unless otherwise directed by the Engineer.

During application of thermoplastic coal tar emulsion surface treatment, account for wind drift. Cover existing buildings, structures, runway edge lights, taxiway edge lights, informational signs, retro-reflective marking and in-pavement duct markers as necessary to protect against overspray before applying the emulsion. Should thermoplastic coal tar emulsion surface treatment get on any light or

marker fixture, promptly clean the fixture. If cleaning is not satisfactory to the Engineer, the Contractor shall replace any light, sign or marker with equivalent equipment at no cost to the Owner.

629-4.3 Application equipment

a. Mobile mixing machine [for micro-surface and sand slurry seal versions only]. The mobile mixing machine shall be a truck-mounted mobile mixing plant with a towed-type spreader box. It shall have a water tank and water pump capable of delivering a constant volume of water.

The mobile mixing machine shall have an agitated storage tank for the thermoplastic coal tar emulsion and a non-shearing peristaltic pump with variable rate of flow for the delivery of this material. The mobile mixing machine shall have a hopper for holding aggregate, supplying this material to the mixing chamber by a conveyor belt. The rate of aggregate delivery shall be volumetrically controlled by an adjustable gate opening. The speed of the conveyor shall be mechanically dependent upon the speed of the peristaltic pump.

The mobile mixing machine shall be a continuous-flow mixing unit capable of delivering predetermined quantities of thermoplastic coal tar emulsion, aggregate, and if necessary water, to the mixing chamber and discharging the thoroughly mixed material on a continuous basis. The mobile mixing machine shall deliver the materials to the mixing chamber in a constant proportion in a manner not dependent on power plant or vehicle speed. The machine shall be equipped with a water spray bar capable of fogging the pavement surface to aid in the application process.

Attached to the mixing machine shall be a mechanical-type squeegee distributor, equipped with flexible material in contact with the surface to prevent loss of material from the distributor. It shall be maintained to prevent loss of micro-surfacing on varying grades and adjusted to assure uniform spread. The spreader box may have an adjustable width.

b. Batch mixing machine. The batch-mixing machine shall be either a truck-mounted 500 to 3,000 gallon (1893 to 11356 liter) tank or a self-propelled batch mixing machine 300 to 1000 gallons (1136 to 3785 liters) containing suitably driven mixing blades to combine predetermined quantities of thermoplastic emulsion, aggregate if specified and if necessary, water into a homogeneous mixture. It shall be equipped with a water tank and diaphragm style pump capable of delivering a constant volume of material to a spray wand or spray bar. The device shall have a bottom ball valve of 3 inches (75 mm) diameter capable of delivering material to a squeegee spreader or a drag box.

c. Auxiliary equipment. Other tools or equipment such as power brooms, power blowers, air compressors, hand brooms, hand squeegees, etc., shall be provided as required.

629-4.4 Test areas and test sections. A qualified manufacturer's representative shall be present in the field to assist the Contractor in applying test areas and/or test sections to determine the optimum application rate. A test area and/or section shall be applied for each differing hot mix asphalt (HMA) pavement surface identified in the project. The test area(s) and/or test section(s) shall be used to determine the material application rate(s) prior to full production. The same equipment and method of operation shall be utilized on the test area(s) and/or test section(s) as will be utilized on the remainder of the work.

a. For Taxiway, taxilane and apron surfaces. Prior to full application, the Contractor shall place test areas at varying application rates as specified by the manufacturer's representative and Engineer to determine application rate(s). The test areas will be located on representative section(s) of the pavement to receive the Thermoplastic coal tar emulsion spray seal coat designated by the Engineer.

b. For spray seal coat on runway and taxiway surfaces. Prior to full application, the Contractor shall place a series of test sections a minimum of 300 feet (90 m) long by 12 feet (3.6 m) wide, or width

of anticipated application, whichever is greater, at varying application rates as stipulated by the manufacturer’s representative and Engineer to determine application rate(s). The area to be tested will be located on a representative section of the pavement to receive the Thermoplastic coal tar emulsion spray seal coat designated by the Engineer. Before beginning the test section(s), the skid resistance of the existing pavement shall be determined for each test section with a continuous friction measuring equipment (CFME). The skid resistance test after application shall be at approximately the same location as the test done on the existing pavement. The Contractor may begin testing the skid resistance of runway and taxiway test sections after application of the Thermoplastic coal tar emulsion spray seal has fully cured. Aircraft shall not be permitted on the runway or taxiway test sections for a minimum of 24 hours and until such time as the Contractor validates that its surface friction meets AC 150/5320-12. The results of the friction evaluation meet or exceed the Maintenance Planning levels provided in Table 3-2, “Friction Level Classification for Runway Pavement Surfaces,” in AC 150/5320-12, Measurement, Construction, and Maintenance of Skid-resistant Airport Pavement Surfaces, when tested at speeds of 40 and 60 mph (65 and 95 km/h) wet with approved CFME.

If the test section should prove to be unsatisfactory, necessary adjustments to the application rate, placement operations, and equipment shall be made. Additional test sections shall be placed and additional skid resistance tests performed and evaluated. Full production shall not begin without the Engineer’s approval of an appropriate application rate(s). Acceptable test sections shall be paid for in accordance with paragraph 629-8.1.

The test section affords the Contractor and the Engineer an opportunity to determine the quality of the mixture in place as well as the performance of the equipment.

The application rate depends on the surface texture.

If operational conditions preclude placement of a test section on the pavement to be treated, it may be applied on a pavement with similar surface texture.

The only test required on the composite mix placed in the field is the viscosity test.

The fuel resistance test may be specified, however, this test takes 96 hours to run.

For projects calling for application of the thermoplastic coal tar emulsion surface treatment on runway and taxiway, the Engineer shall document skid resistance in accordance with AC 150/5320-12, Measurement, Construction, and Maintenance of Skid-Resistant Airport Pavement Surfaces, prior to full application.

629-4.5 Preparation of asphalt pavement surfaces. Clean pavement surface immediately prior to placing the seal coat by sweeping, flushing well with water leaving no standing water, or a combination of both, so that it is free of dust, dirt, grease, vegetation, oil or any type of objectionable surface film. Remove oil or grease that has not penetrated the asphalt pavement by scraping or by scrubbing with a detergent, then wash thoroughly with clean water. After cleaning, treat these areas with the oil spot primer. Any additional surface preparation, such as crack repair, shall be in accordance with paragraph 101-3.6.

629-4.6 Application. Application shall be in accordance with paragraph 629-3.3.

629-4.7 Curing. The mixture shall be permitted to dry for a minimum of 24 hours after the application, before opening to traffic or painting, and shall be sufficiently cured to drive over without damage to the installation. Any damage to the uncured mixture will be the responsibility of the Contractor to repair.

QUALITY CONTROL

629-5.1 Manufacturer's representation. The manufacturer's representative shall have knowledge of the material, procedures, and equipment described in the specification and shall be responsible for determining the application rates and shall oversee the preparation and application of the thermoplastic coal tar emulsion surface treatment. Documentation of the manufacturer representative's experience and knowledge for applying the thermoplastic coal tar emulsion surface treatment shall be furnished to the Engineer a minimum of 10 work days prior to placement of the test sections. The cost of the manufacturer's representative shall be included in the bid price.

629-5.2 Contractor qualifications. The Contractor shall provide the Engineer contractor qualifications for applicators, personnel and equipment. The Contractor shall also provide, from the thermoplastic coal tar emulsion Manufacturer, documentation that the Contractor is certified to apply the thermoplastic coal tar emulsion surface treatment. Contractor shall provide documentation for at least three (3) applications similar to this project completed in the past two (2) years.

MATERIAL ACCEPTANCE

629-6.1 Friction tests. Friction Test in accordance with AC 150/5320-12, Measurement, Construction, and Maintenance of Skid-Resistant Airport Pavement Surfaces, shall be accomplished on all runway and taxiways that have received a seal coat. The Contractor shall coordinate testing with the Engineer. Each test includes performing friction tests at 40 mph and 60 mph (65 and 95 km/h) both wet, 15 feet (4.5 m) to each side of runway centerline. Friction test shall be run within 30 days prior to application of the seal coat to runway and/or high-speed taxiways and after application of the seal coat. The Engineer shall be present for testing. The Contractor shall provide a written report of friction test results.

METHOD OF MEASUREMENT

629-7.1 Measurement. The Thermoplastic Coal Tar Emulsion [Micro-Surface Type A] [Micro-Surface Type B] [Sand Slurry Seal] [Spray Seal Coat with Sand Aggregate] [Spray Seal Coat without Sand Aggregate] shall be measured by the actual square yardage of the area indicated on the contract drawings or designated by the Engineer.

BASIS OF PAYMENT

629-8.1 Payment. Payment shall be made at the contract unit price per square yard (square meter) for the Thermoplastic Coal Tar Emulsion [Micro-Surface Type A] [Micro-Surface Type B] [Sand Slurry Seal] [Spray Seal Coat with Sand Aggregate] [Spray Seal Coat without Sand Aggregate]. This price shall fully compensate the Contractor for furnishing all materials and for all labor, equipment tools and incidentals necessary to complete the thermoplastic coal tar emulsion product installation, including mix design and data sheets stipulated in these specifications.

Payments will be made under:

Item P-629-8.1 Thermoplastic coal tar emulsion [Micro-Surface Type A] [Micro-Surface Type B] [Sand Slurry Seal] [Spray Seal Coat with Sand Aggregate] [Spray Seal Coat without Sand Aggregate]—per square yard [square meter].

[Item P-629-8.2 Runway and High Speed Exit Taxiway Friction Testing -
per lump sum]

TESTING REQUIREMENTS

The publications listed below form a part of this specification to the extent referenced. The publications are referred to in this text by basic designation only.

29 CFR Part 1910.1200 Hazard Communication

ASTM C67	Standard Test Method for Sampling and Testing Brick and Structural Clay Tile
ASTM C131	Standard Test Method for Resistance to Degradation of Small-Size Coarse Aggregate by Abrasion and Impact in the Los Angeles Machine
ASTM C136	Standard Test Method for Sieve or Screen Analysis of Fine and Coarse Aggregates
ASTM D3699	Standard Specification for Kerosene
ASTM D36	Standard Test Method for Softening Point of Bitumen (Ring-and-Ball Apparatus)
ASTM D244	Standard Test Methods and Practices for Emulsified Asphalts
ASTM D5340	Standard Test Method for Airport Pavement Condition Index Surveys
AC 150/5320-12	Measurement, Construction, and Maintenance of Skid-Resistant Airport Pavement Surfaces
AC 150/5320-17	Airfield Pavement Surface Evaluation and Rating (PASER) Manuals

Appendix A

FUEL RESISTANCE TEST TEST METHODS CRITERION

1. Scope

This method determines the resistance of the thermoplastic coal tar emulsion surface treatment to kerosene.

2. Apparatus

- 2.1 Two 6" × 6" (150 mm × 150 mm) square 16 gauge sheet metal masks with a 4" × 4" (100 mm × 100 mm) square center removed.
- 2.2 6" × 6" (150 mm × 150 mm) unglazed white ceramic tile with an absorption rate of 10-18% (determined in accordance with ASTM C67).
- 2.3 Brass ring, 2" (50 mm) diameter and 2" (50 mm) high.
- 2.4 Kerosene meeting requirements of ASTM D3699.
- 2.5 Silicone rubber sealant.

3. Procedure

- 3.1 Immerse the ceramic tile in distilled water for a minimum of ten minutes.
- 3.2 Remove excess water from the tile to produce a damp surface before applying the thermoplastic coal tar emulsion surface treatment.
- 3.3 Using the mask described in 2.1 apply thermoplastic coal tar emulsion surface treatment as specified to the tile. Spread even with the top of the mask using a spatula or other straightedge.
- 3.4 Allow the sample to cure for 96 hours at 77 ±2°F. and 50 ±10% relative humidity.
- 3.5 After curing, affix the brass ring to the thermoplastic coal tar emulsion surface treatment on the tile with silicone rubber sealant.
- 3.6 Fill the brass ring with kerosene.
- 3.7 After 24 hours, remove the kerosene from the brass ring, blot dry and immediately examine the film for softness and loss of adhesion. Immediately after the film is examined, break the tile in half, exposing that part of the tile whose film was subjected to the kerosene.
- 3.8 Evaluate for penetration of kerosene through the thermoplastic coal tar emulsion surface treatment and loss of adhesion.

4. Report

- 4.1 Report the results as pass or fail. Visible evidence of leakage or discoloration shall constitute failure of the fuel resistance test.

5. **Criterion:** A "pass" rating in the fuel resistance test is required prior to full production.

END OF ITEM P-629

Intentionally Left Blank

Item P-630 Refined Coal Tar Emulsion Without Additives, Slurry Seal Surface Treatment

This type of surface treatment is approved for use on general aviation airports serving small airplanes 12,500 lbs (5670 kg) or less. The Engineer, with FAA approval, may specify this item for airports serving airplanes 60,000 lbs (27216 kg) or less.

With growing environmental/safety regulations, more states and local authorities are prohibiting the use of coal tar products. The Engineer must verify the selected materials comply with local authority requirements.

630-1.1 This item shall consist of a mixture of emulsified asphalt, mineral aggregate, and water properly proportioned, mixed, and spread on an asphalt pavement surface, including airport pavements serving [small] airplanes [12,500 lbs (5670 kg) or less,] roads, and other general applications. The purpose of this refined coal tar emulsion product is to provide a fuel-resistant surface where pavements are subjected to fuel spills. The application of the surface treatment shall be in accordance with these specifications and shall conform to the dimensions shown on the plans or as directed by the Engineer

630-1.2 General. This item shall consist of a mixture of refined coal tar emulsion, mineral aggregate, and water properly proportioned, mixed, and applied as a slurry seal on new or existing (aged) asphalt concrete pavement.

MATERIALS

630-2.1 Refined coal tar emulsion. A refined coal tar emulsion prepared from a high temperature refined coal tar conforming to the requirements of ASTM D490 for grade 11-12. The use of oil and water gas tar is not allowed. Base refined coal tar emulsion must conform to all requirements of ASTM D5727.

a. Health, safety, and environment. The Contractor must provide a complete Material Safety Data Sheet (MSDS) in accordance with U.S. Department of Labor, Occupational Safety and Health Administration (OSHA), Regulations (Standards – 29 CFR), 1910.1200 which establishes the requirement and minimum information for the MSDS for hazardous materials. The MSDS, Section II, shall include the Chemical Abstracts Service (CAS) registry numbers for all applicable hazardous ingredients in the coal tar emulsion product. The Contractor must provide the manufacturer's certification that the product complies with the Code of Federal Regulation (CFR) Title 40 – Protection of Environment. The manufacturer's certification shall address compliance for Air Programs, Part 59, National Volatile Organic Compound Emission Standards for Consumer and Commercial Products (for the airport location) and Water Programs, Part 116, Designation of Hazardous Substances.

630-2.2 Aggregate. The aggregate shall be washed dry silica sand or boiler slag free of dust, trash, clay, organic materials or other deleterious substances. The aggregate shall meet the gradation requirements below when tested in accordance with ASTM C136.

Gradation Of Aggregates*

Sieve Size		Percent Retained	
		Minimum	Maximum
#20 or coarser	(0.850 mm)	0	2
#30	(0.600 mm)	0	12
#40	(0.425 mm)	2	60
#50	(0.300 mm)	5	60
#70	(0.212 mm)	5	60
#100	(0.150 mm)	5	30
#140	(0.106 mm)	0	10
#200	(0.075 mm)	0	2
Finer than #200		0	0.3

* Table represents the maximum range of aggregate gradations. In all cases the refined coal tar emulsion supplier is to give written approval of the aggregate used in the mix design.

630-2.3 Water. Water for mixing shall be potable, free of harmful soluble salts and at least 50°F (10°C). The pH of the water shall conform to the requirements of the coal tar emulsion manufacturer.

630-2.4 Crack sealant. Crack sealant shall be certified for compatibility with the refined coal tar emulsion by the manufacturer of the refined coal tar emulsion, and approved by the Engineer.

630-2.5 Oil spot primer. Oil spot primer shall be certified for compatibility with the refined coal tar emulsion by the manufacturer of the refined coal tar emulsion, and approved by the Engineer.

630-2.6 Pavement primer. Pavement primer shall be certified for compatibility with the refined coal tar emulsion by the manufacturer of the refined coal tar emulsion, and approved by the Engineer.

COMPOSITION AND APPLICATION

630-3.1 Composition. The refined coal tar emulsion seal coat is to consist of a mixture of refined coal tar emulsion, water and aggregate, and be proportioned as shown in the table below titled “Composition of Mixture Per 100 Gallons (379 Liters) of Refined Coal Tar Emulsion.” The composition must have written approval of the coal tar emulsion manufacturer.

630-3.2 Quantities of materials per square yard (square meter). The Contractor shall submit the recommended formulation of water, emulsion, aggregate and application rate proposed for use to a testing laboratory together with sufficient materials to verify the formulation at least [___] days prior to the start of operations. The mix design shall be within the range shown in the table below. No seal coat shall be produced for payment until a mix has been approved by the Engineer. The formulation shall pass the fuel resistance test in Addendum A.

The mix formula for each mixture shall be in effect until modified in writing by the Engineer.

Improper formulations of coal tar pitch emulsion seal produce coatings that crack prematurely or do not adhere properly to the pavement surface. A minimum of five (5) days is recommended for job mix approval.

Composition Of Mixture Per 100 Gallons (379 Liters) Of Refined Coal Tar Emulsion

Application	Refined Coal Tar Emulsion Gallons (Liters)	Water Gallons (Liters)	Aggregate lb (km)	Formula Rate of Application of Mix per Square Yard (Square Meter)	
				Minimum Gallons (Liters)	Maximum Gallons (Liters)
Prime Coat (where required) as specified by the coal tar emulsion manufacturer					
1st Seal Coat	100 (379)	25-30 (95-114)	300-500 (136-228)	0.12 (0.54)	0.17 (0.77)
2nd Seal Coat	100 (379)	25-30 (95-114)	300-500 (136-228)	0.12 (0.54)	0.17 (0.77)

The numbers shown in the table represent the maximum recommended range of values. In all cases, the refined coal tar emulsion supplier is to give written approval of specific composition numbers to be used in the mix design.

Some specifications covering this type of coating have allowed sand loadings in excess of 10 pounds per gallon (1.2 kg/L) of refined coal tar emulsion. These coatings have not performed well in the field due to poor fuel resistance and loss of adhesion and are not recommended.

Additional coats may be specified for greater durability.

630-3.3 Application rate. Application rates are not to exceed 0.17 gal/yd²/coat (0.77 liters/m²/coat), and at no time are total coats to exceed 0.51 gal/yd² (2.3 liters/m²).

630-3.4 Test section. Prior to full production, the Contractor shall prepare a quantity of mixture in the proportions shown in the approved mix design sufficient to place a test section a minimum of 250 square yard (209 m²) at the rate specified in the job mix formula. The test area shall be designated by the Engineer and will be located on a representative section of the pavement to be seal coated. The actual application rate will be determined by the Engineer during placement of the test section and will depend on the condition of the pavement surface.

The test section shall be used to verify the adequacy of the mix design and to determine the application rate. The same equipment and method of operations shall be used on the test section as will be used on the remainder of the work.

If the test section should prove to be unsatisfactory, the necessary adjustments to the job mix formula, mix composition, application rate, placement operations, and equipment shall be made. Additional test sections shall be placed and evaluated, if required. Full production shall not begin without the Engineer’s approval. Acceptable test sections shall be paid for in accordance with paragraph 630-7.1.

A qualified manufacturer’s representative shall be present in the field to assist the Contractor in applying test areas and/or test sections to determine the optimum application rate of both emulsion and sand.

The test section affords the Contractor and the Engineer an opportunity to determine the quality of the mixture in place as well as the performance of the equipment.

The application rate depends on the surface texture.

If operational conditions preclude placement of a test section on the pavement to be treated, it may be applied on a pavement with similar surface texture.

The only test required on the composite mix placed in the field is the viscosity test. The fuel resistance test may be specified, however, this test takes 96 hours to run.

CONSTRUCTION METHODS

630-4.1 Weather limitations. The seal coat shall not be applied when the surface is wet or when the humidity or impending weather conditions will not allow proper curing. The seal coat shall be applied only when the atmospheric or pavement temperature is 50°F (10°C) and rising and is expected to remain above 50°F (10°C) for 24 hours, unless otherwise directed by the Engineer.

630-4.2 Equipment and tools. The Contractor shall furnish all equipment, tools, and machinery necessary for the performance of the work.

a. Distributors. Distributors or spray units used for the spray application of the seal coat shall be self-propelled and capable of uniformly applying 0.12 to 0.55 gallons per square yard (0.54 to 2.5 liters per square meter) of material over the required width of application. Distributors shall be equipped with removable manhole covers, tachometers, pressure gauges, and volume-measuring devices.

The mix tank shall have a mechanically powered, full-sweep, mixer with sufficient power to move and homogeneously mix the entire contents of the tank.

The distributor shall be equipped with a positive placement pump so that a constant pressure can be maintained on the mixture to the spray nozzles.

b. Mixing equipment. The mixing machine shall have a continuous flow mixing unit capable of accurately delivering a predetermined proportion of aggregate, water, and emulsion, and of discharging the thoroughly mixed product on a continuous basis. The mixing unit shall be capable of thoroughly blending all ingredients together and discharging the material to the spreader box without segregation.

c. Spreading equipment. Spreading equipment shall be a mechanical-type squeegee distributor attached to the mixing machine, equipped with flexible material in contact with the surface to prevent loss of slurry from the spreader box. It shall be maintained to prevent loss of slurry on varying grades and adjusted to assure uniform spread. There shall be a lateral control device and a flexible strike-off capable of being adjusted to lay the slurry at the specified rate of application. The spreader box shall have an adjustable width. The box shall be kept clean; coal tar emulsion and aggregate build-up on the box shall not be permitted.

d. Hand squeegee or brush application. The use of hand spreading application shall be restricted to places not accessible to the mechanized equipment or to accommodate neat trim work at curbs, etc. Material that is applied by hand shall meet the same standards as that applied by machine.

e. Calibration. The Contractor shall furnish all equipment, materials and labor necessary to calibrate the equipment. It shall be calibrated to assure that it will produce and apply a mix that conforms to the job mix formula. Commercial equipment should be provided with a method of calibration by the

manufacturer. All calibrations shall be made with the approved job materials prior to applying the seal coat to the pavement. A copy of the calibration test results shall be furnished to the Engineer.

630-4.3 Preparation of asphalt pavement surfaces. Clean pavement surface immediately prior to placing the seal coat by sweeping, flushing well with water leaving no standing water, or a combination of both, so that it is free of dust, dirt, grease, vegetation, oil or any type of objectionable surface film. Remove oil or grease that has not penetrated the asphalt pavement by scraping or by scrubbing with a detergent, then wash thoroughly with clean water. After cleaning, treat these areas with the oil spot primer. Any additional surface preparation, such as crack repair, shall be in accordance with paragraph 101-3.6.

630-4.4 Mixing. Blend the coal tar emulsion mixture in the equipment described in paragraph 630-4.2 using the ingredients described in 630-3.2. The mixing must produce a smooth homogeneous mixture of uniform consistency. (Consult coal tar emulsion supplier for its recommended order of addition of the ingredients.) During the entire mixing and application process, no breaking, segregating or hardening of the emulsion, nor balling or lumping of the sand is to be permitted. Continue to agitate the seal coat mixture in the mixing tank at all times prior to and during application so that a consistent mix is available for application.

Small additional increments of water may be needed to provide a workable consistency, but in no case is the water content to exceed the specified amount.

630-4.5 Application of slurry seal surface treatment. The aggregate filled slurry seal surface treatment shall be applied at a uniform rate determined in paragraph 630-3.4.

In order to provide maximum adhesion, the pavement shall be dampened with a fog spray of water if recommended by the supplier. No standing water shall remain on the surface.

If a prime coat is required, mix and apply the prime coat as specified in paragraph 630-4.3.

Apply the first coat uniformly to obtain the rate determined in paragraph 630-3.4.

Each coat shall be allowed to dry and cure initially before applying any subsequent coats. The initial drying shall allow evaporation of water of the applied mixture, resulting in the coating being able to sustain light foot traffic. The initial curing shall enable the mixture to withstand vehicle traffic without damage to the seal coat.

Apply the second coat in the same manner as outlined for the first coat.

Additional coats shall be applied over the entire surface as directed by the Engineer.

The finished surface shall present a uniform texture.

The final coat shall be allowed to dry a minimum of eight hours in dry daylight conditions before opening to traffic, and initially cure enough to support vehicular traffic without damage to the seal coat.

Where marginal weather conditions exist during the eight hour drying time, additional drying time shall be required. The length of time shall be as specified by the supplier. The surface shall be checked after the additional drying time for trafficability before opening the section to vehicle traffic.

Where striping is required, the striping paint used shall meet the requirements of P-620, shall be compatible with the seal coat and as recommended by the coal tar emulsion manufacturer.

QUALITY CONTROL

630-5.1 Contractor's certification. The Contractor shall furnish the manufacturer's certification that each consignment of emulsion shipped to the project meets the requirements of ASTM D5727, except that

the water content shall not exceed 50%. The certification shall also indicate the solids and ash content of the emulsion and the date the tests were conducted. The certification shall be delivered to the Engineer prior to the beginning of work. The manufacturer's certification for the emulsion shall not be interpreted as a basis for final acceptance. Any certification received shall be subject to verification by testing samples received for project use.

The Contractor shall also furnish a certification demonstrating a minimum of three years' experience in the application of coal tar emulsion seal coats.

630-5.2 Inspection. The Owner shall have an independent technical consultant on the job site at the beginning of operations for application of coal tar emulsion seal coats. The consultant shall have knowledge of the materials, procedures, and equipment described in this specification and shall assist the Contractor regarding proper mixing of the component materials and application of the seal coat. The consultant shall have a minimum of three (3) years' experience in the use of coal tar seal coats. Documentation of this experience shall be furnished to the Engineer prior to the start of operations. The cost of the technical consultant shall be paid for by the Owner.

630-5.3 Sampling. A minimum of one sample per day shall be tested for the properties in the table above titled "Composition of Mixture Per 100 Gallons (379 Liters) of Refined Coal Tar Emulsion." A random sample of approximately one-quart of the composite mix will be obtained daily by the Contractor and stored in a glass container. The containers shall be sealed against contamination and retained in storage by the Owner for a period of six months. Samples shall be stored at room temperature and not be subjected to freezing temperatures.

A sample of undiluted coal tar emulsion shall be obtained from each consignment shipped to the job.

630-5.4 Engineer's records. The Engineer will keep an accurate record of each batch of materials used in the formulation of the seal coat.

METHOD OF MEASUREMENT

630-6.1 The refined coal tar emulsion shall be measured by the [gallon (liter)] [ton (kg)]. Only the actual quantity of undiluted refined coal tar emulsion will be measured for payment.

630-6.2 Aggregate shall be measured by the ton (kg) of dry aggregate.

BASIS OF PAYMENT

630-7.1 Payment shall be made at the contract unit price per [gallon (liter)] [ton (kg)] for the refined coal tar emulsion and at the contract price per ton (kg) for aggregate.

These prices shall be full compensation for furnishing all materials, preparing, mixing, and applying these materials, and for all labor, equipment, tools, and incidentals necessary to complete the item.

Payment will be made under:

Item P-630-7.1 Refined Coal Tar Emulsion for Slurry Coat - per [gallon (liter)]
[ton (kg)]

Item P-630-7.2 Aggregate - per ton (kg) of dry aggregate

TESTING REQUIREMENTS

29 CFR Part 1910.1200 Hazard Communication

ASTM C67	Standard Test Method for Sampling and Testing Brick and Structural Clay Tile
ASTM C136	Standard Test Method for Sieve or Screen Analysis of Fine and Coarse Aggregates
ASTM D692	Standard Specification for Coarse Aggregate for Bituminous Paving Mixtures

MATERIAL REQUIREMENTS

ASTM D490	Standard Specification for Road Tar
ASTM D692	Standard Specification for Coarse Aggregate for Bituminous Paving Mixtures
ASTM D3699	Standard Specification for Kerosine
ASTM D4866	Standard Performance Specification for Coal Tar Pitch Emulsion Pavement Sealer Mix Formations Containing Mineral Aggregates and Optional Polymeric Admixtures
ASTM D5727	Standard Specification for Emulsified Refined Coal Tar (Mineral Colloid Type)

Addendum A
ITEM P-630 FUEL RESISTANCE TEST AND CRITERION

1. Scope.

This method determines the resistance of the coal tar emulsion seal coat to kerosene.

2. Apparatus

- 2.1 Two 6" × 6" (150 mm × 150 mm) square 16 gauge sheet metal masks with a 4" × 4" (100 mm × 100 mm) square center removed
- 2.2 6" × 6" (150 mm × 150 mm) unglazed white ceramic tile with an absorption rate of 10-18% (determined in accordance with ASTM C67)
- 2.3 Brass ring, 2" (50 mm) diameter and 2" (50 mm) high
- 2.4 Kerosene meeting requirements of ASTM D3699
- 2.5 Silicone rubber sealant

3. Procedure

- 3.1 Immerse the ceramic tile in distilled water for a minimum of ten minutes.
- 3.2 Remove excess water from the tile to produce a damp surface before applying the seal coat.
- 3.3 Using the mask described in 2.1 apply one layer of the coal tar emulsion mixture to the tile. Spread even with the top of the mask using a spatula or other straightedge.
- 3.4 Allow the sample to cure for 96 hours at 77 ±2°F. and 50 ±10% relative humidity.
- 3.5 Position a second mask on top of the first mask.
- 3.6 Apply a second coat of coal tar emulsion mixture. Spread even with the top of the second mask.
- 3.7 Cure as in step 3.4.
- 3.8 After curing, affix the brass ring to the seal coat on the tile with silicone rubber sealant.
- 3.9 Fill the brass ring with kerosene.
- 3.10 After 24 hours, remove the kerosene from the brass ring, blot dry and immediately examine the film for softness and loss of adhesion. Immediately after the film is examined, break the tile in half, exposing that part of the tile whose film was subjected to the kerosene.
- 3.11 Evaluate for penetration of kerosene through the sealer and loss of adhesion.

4. Report

Report the results as pass or fail. Visible evidence of leakage or discoloration shall constitute failure of the test.

5. **Criterion:** A "pass" rating in the fuel resistance test is required.

END OF ITEM P-630

Item P-631 Refined Coal Tar Emulsion With Additives, Slurry Seal Surface Treatment

DESCRIPTION

This type of surface treatment is approved for use on general aviation airports serving small airplanes 12,500 lbs (5670 kg) or less. The Engineer, with FAA approval, may specify this item for airports serving airplanes 60,000 lbs (27216 kg) or less.

With growing environmental/safety regulations, more states and local authorities are prohibiting the use of coal tar products. The Engineer must verify the selected materials comply with local authority requirements.

631-1.1 This item shall consist of a mixture of emulsified asphalt, mineral aggregate, and water properly proportioned, mixed, and spread on an asphalt pavement surface, including airport pavements serving [small] airplanes [12,500 lbs (5670 kg) or less,] roads, and other general applications. The purpose of this refined coal tar emulsion product is to provide a fuel-resistant surface where pavements are subjected to fuel spills. The application of the surface treatment shall be in accordance with these specifications and shall conform to the dimensions shown on the plans or as directed by the Engineer.

631-1.2 General. This item shall consist of a mixture of refined coal tar emulsion, mineral aggregate, additives, and water properly proportioned, mixed and applied as a slurry seal on new or existing (aged) asphalt concrete pavement.

MATERIALS

631-2.1 Refined coal tar emulsion. A refined coal tar emulsion prepared from a high temperature refined coal tar conforming to the requirements of ASTM D490 for grade 11-12. The use of oil and water gas tar is not allowed. Base refined coal tar emulsion must conform to all requirements of ASTM D5727.

a. Health, safety, and environment. The Contractor must provide a complete Material Safety Data Sheet (MSDS) in accordance with U.S. Department of Labor, Occupational Safety and Health Administration (OSHA), Regulations (Standards – 29 CFR, 1910.1200) which establishes the requirement and minimum information for the MSDS for hazardous materials. The MSDS, Section II, shall include the Chemical Abstracts Service (CAS) registry numbers for all applicable hazardous ingredients in the coal tar emulsion product. The Contractor must provide the manufacturer's certification that the product complies with the Code of Federal Regulation (CFR) Title 40 – Protection of Environment. The manufacturer's certification shall address compliance for Air Programs, Part 59, National Volatile Organic Compound Emission Standards for Consumer and Commercial Products (for the airport location) and Water Programs, Part 116, Designation of Hazardous Substances.

631-2.2 Aggregate. The aggregate shall be washed dry silica sand or boiler slag free of dust, trash, clay, organic materials or other deleterious substances. The aggregate shall meet the gradation in Table 1, when tested in accordance with ASTM C136.

Table 1. Gradation Of Aggregates*

Sieve Size		Percent Retained	
		Minimum	Maximum
#20 or coarser	(0.850 mm)	0	2
#30	(0.600 mm)	0	12
#40	(0.425 mm)	2	60
#50	(0.300 mm)	5	60
#70	(0.212 mm)	5	60
#100	(0.150 mm)	5	30
#140	(0.106 mm)	0	10
#200	(0.075 mm)	0	2
Finer than #200		0	0.3

* Table 1 represents the maximum range of aggregate gradations. In all cases the refined coal tar emulsion supplier is to give written approval of the aggregate used in the mix design.

631-2.3 Additive. As specified by the coal tar emulsion manufacturer.

Additives are one or more ingredients that can be added to a specific refined coal tar emulsion, water and/or sand mixture to improve the coatings final properties. These properties include durability, fuel resistance, drying time, color uniformity, and/or length of cure time. Additives may also be used to modify the wet mixture’s viscosity to improve aggregate suspension.

The type of additive to be used should be specified by the coal tar emulsion manufacturer and will depend on which final properties are desired.

The Engineer should specify the desired properties.

631-2.4 Water. Water for mixing shall be potable, free of harmful soluble salts, and at least 50°F (10°C).

631-2.5 Crack sealant. Crack sealant shall be certified for compatibility with the refined coal tar emulsion by the manufacturer of the refined coal tar emulsion, and approved by the Engineer.

631-2.6 Oil spot primer. Oil spot primer shall be certified for compatibility with the refined coal tar emulsion by the manufacturer of the refined coal tar emulsion, and approved by the Engineer.

631-2.7 Pavement primer. Pavement primer shall be certified for compatibility with the refined coal tar emulsion by the manufacturer of the refined coal tar emulsion, and approved by the Engineer.

COMPOSITION AND APPLICATION

631-3.1 Composition. The refined coal tar emulsion seal coat is to consist of a mixture of refined coal tar emulsion, water, additive and aggregate, and be proportioned as shown in Table 2. The composition must have written approval of the coal tar emulsion manufacturer.

631-3.2 Quantities of materials per square yard (square meter). The Contractor shall submit the recommended formulation of water, emulsion, aggregate and application rate proposed for use to a testing laboratory together with sufficient materials to verify the formulation at least [] days prior to the start of operations. The mix design shall be within the range shown in the below table. No seal coat shall be produced for payment until a mix has been approved by the Engineer. The formulation shall pass the fuel resistance test in Addendum A.

The mix for each mixture shall be in effect until modified in writing by the Engineer.

Improper formulations of coal tar pitch emulsion seal produce coatings that crack prematurely or do not adhere properly to the pavement surface. A minimum of five (5) days is recommended for job mix approval.

Table 2. Composition Of Mixture Per 100 Gallons (379 Liters) Of Refined Coal Tar Emulsion

Application	Refined Coal Tar Emulsion Gallons (Liters)	Water Gallons (Liters)	Additive Gallons (Liters)	Aggregate Pounds (Liters)	Formula Rate of Application of Mix per Square Yard (Liters)	
					Minimum Gallons (Liters)	Maximum Gallons (Liters)
Prime Coat (where required) as specified by the coal tar emulsion manufacturer						
1st Seal Coat	100 (379)	25-70 (95-265)	2-6 (7.6-22.7)	300-700 (136-318)	0.12 (0.54)	0.20 (0.91)
2nd Seal Coat	100 (379)	25-70 (95-265)	2-6 (7.6-22.7)	300-700 (136-318)	0.12 (0.54)	0.20 (0.91)

The numbers shown in the table represent the maximum recommended range of values. In all cases, the refined coal tar emulsion supplier is to give written approval of specific composition numbers to be used in the mix design.

Some specifications covering this type of coating have allowed sand loadings in excess of 10 pounds per gallon of refined coal tar emulsion. These coatings have not performed well in the field due to poor fuel resistance and loss of adhesion and are not recommended.

631-3.3 Application rate. Application rates are not to exceed 0.20 gal/yd²/coat (0.91 liters/m²/coat), and at no time are total coats to exceed 0.51 gal/yd² (2.3 liters/m²).

631-3.4 Test section. Prior to full production, the Contractor shall prepare a quantity of mixture in the proportions shown in the approved mix design. The amount of mixture shall be sufficient to place a test section a minimum of 250 square yard (209 m²) at the rate specified in the job mix formula. The test area will be designated by the Engineer on a representative section of the pavement to be seal coated. The actual application rate will be determined by the Engineer during placement of the test section and will depend on the condition of the pavement surface.

The test section shall be used to verify the adequacy of the mix design and to determine the application rate. The same equipment and method of operations shall be used on the test section that will be used on the remainder of the work.

If the test section should prove to be unsatisfactory, the necessary adjustments to the job mix formula, mix composition, application rate, placement operations, and equipment shall be made. Additional test sections shall be placed and evaluated, if required. Full production shall not begin without the Engineer's approval. Acceptable test sections shall be paid for in accordance with paragraph 631-7.1.

A qualified manufacturer's representative shall be present in the field to assist the Contractor in applying test areas and/or test sections to determine the optimum application rate of both emulsion and sand.

The test section(s) affords the Contractor and the Engineer an opportunity to determine the quality of the mixture in place as well as the performance of the equipment.

The application rate depends on the surface texture.

If operational conditions preclude placement of a test section on the pavement to be treated, it may be applied on a pavement with similar surface texture.

The only test required on the composite mix placed in the field is the viscosity test. The fuel resistance test may be specified, however, this test takes 96 hours to run.

CONSTRUCTION METHODS

631-4.1 Weather limitations. The seal coat shall not be applied when the surface is wet or when the humidity or impending weather conditions will not allow proper curing. The seal coat shall be applied only when the atmospheric or pavement temperature is 50°F (10°C) and rising and is expected to remain above 50°F (10°C) for 24 hours, unless otherwise directed by the Engineer.

631-4.2 Equipment and tools. The Contractor shall furnish all equipment, tools, and machinery necessary for the performance of the work.

a. Distributors. Distributors or spray units used for the spray application of the seal coat shall be self-propelled and capable of uniformly applying 0.12 to 0.55 gallons per square yard (0.54 to 2.5 liters per square meter) of material over the required width of application. Distributors shall be equipped with removable manhole covers, tachometers, pressure gauges, and volume-measuring devices.

The mix tank shall have a mechanically powered, full-sweep, mixer with sufficient power to move and homogeneously mix the entire contents of the tank.

The distributor shall be equipped with a positive placement pump so that a constant pressure can be maintained on the mixture to the spray nozzles.

b. Mixing equipment. The mixing machine shall have a continuous flow mixing unit capable of accurately delivering a predetermined proportion of aggregate, water, and emulsion, and of discharging the thoroughly mixed product on a continuous basis. The mixing unit shall be capable of thoroughly blending all ingredients together and discharging the material to the spreader box without segregation.

c. Spreading equipment. Spreading equipment shall be a mechanical-type squeegee distributor attached to the mixing machine, equipped with flexible material in contact with the surface to prevent loss of slurry from the spreader box. It shall be maintained to prevent loss of slurry on varying grades and

adjusted to assure uniform spread. There shall be a lateral control device and a flexible strike-off capable of being adjusted to lay the slurry at the specified rate of application. The spreader box shall have an adjustable width. The box shall be kept clean; coal tar emulsion and aggregate build-up on the box shall not be permitted.

d. Hand squeegee or brush application. The use of hand spreading application shall be restricted to places not accessible to the mechanized equipment or to accommodate neat trim work at curbs, etc. Material that is applied by hand shall meet the same standards as that applied by machine.

e. Calibration. The Contractor shall furnish all equipment, materials and labor necessary to calibrate the equipment. It shall be calibrated to assure that it will produce and apply a mix that conforms to the job mix formula. Commercial equipment should be provided with a method of calibration by the manufacturer. All calibrations shall be made with the approved job materials prior to applying the seal coat to the pavement. A copy of the calibration test results shall be furnished to the Engineer.

631-4.3 Preparation of asphalt pavement surfaces. Clean pavement surface immediately prior to placing the seal coat by sweeping, flushing well with water leaving no standing water, or a combination of both, so that it is free of dust, dirt, grease, vegetation, oil or any type of objectionable surface film. Remove oil or grease that has not penetrated the asphalt pavement by scraping or by scrubbing with a detergent, then wash thoroughly with clean water. After cleaning, treat these areas with the oil spot primer. Any additional surface preparation, such as crack repair, shall be in accordance with paragraph 101-3.6.

631-4.4 Mixing. Blend the coal tar emulsion mixture in the equipment described in paragraph 631-4.2 using the ingredients described in Table 2. The mixing must produce a smooth homogeneous mixture of uniform consistency. (Consult coal tar emulsion supplier for its recommended order of addition of the ingredients.) During the entire mixing and application process, no breaking, segregating or hardening of the emulsion, nor balling or lumping of the sand is to be permitted. Continue to agitate the seal coating mixture in the mixing tank at all times prior to and during application so that a consistent mix is available for application.

Small additional increments of water may be needed to provide a workable consistency, but in no case is the water content to exceed the specified amount.

631-4.5 Application of slurry seal surface treatment. The aggregate filled slurry seal surface treatment shall be applied at a uniform rate determined in paragraph 631-3.3.

In order to provide maximum adhesion, the pavement shall be dampened with a fog spray of water if recommended by the supplier. No standing water shall remain on the surface.

If a prime coat is required, mix and apply the prime coat as specified in paragraph 631-4.3.

Apply the first coat uniformly to obtain the rate determined in paragraph 631-3.3.

Each coat shall be allowed to dry and cure initially before applying any subsequent coats. The initial drying shall allow evaporation of water of the applied mixture, resulting in the coating being able to sustain light foot traffic. The initial curing shall enable the mixture to withstand vehicle traffic without damage to the seal coat.

Apply the second coat in the same manner as outlined for the first coat.

Additional coats shall be applied over the entire surface as directed by the Engineer.

The finished surface shall present a uniform texture.

The final coat shall be allowed to dry a minimum of eight hours in dry daylight conditions before opening to traffic, and initially cure enough to support vehicular traffic without damage to the seal coat.

Where marginal weather conditions exist during the eight hour drying time, additional drying time shall be required. The length of time shall be as specified by the supplier. The surface shall be checked after the additional drying time for trafficability before opening the section to vehicle traffic.

Where striping is required, the striping paint used shall meet the requirements of P-620, shall be compatible with the seal coat and as recommended by the coal tar emulsion manufacturer.

QUALITY CONTROL

631-5.1 Contractor's certification. The Contractor shall furnish the manufacturer's certification that each consignment of emulsion shipped to the project meets the requirements of ASTM D5727, except that the water content shall not exceed 50%. The certification shall also indicate the solids and ash content of the emulsion and the date the tests were conducted. The certification shall be delivered to the Engineer prior to the beginning of work. The manufacturer's certification for the emulsion shall not be interpreted as a basis for final acceptance. Any certification received shall be subject to verification by testing samples received for project use.

The Contractor shall also furnish a certification demonstrating a minimum of three years of experience in the application of coal tar emulsion seal coats.

631-5.2 Inspection. The Owner shall have an independent technical consultant on the job site at the beginning of operations for application of coal tar emulsion seal coats. The consultant shall have knowledge of the materials, procedures, and equipment described in this specification and shall assist the Contractor regarding proper mixing of the component materials and application of the seal coat. The consultant shall have a minimum of three (3) years of experience in the use of coal tar seal coats. Documentation of this experience shall be furnished to the Engineer prior to the start of operations. The cost of the technical consultant shall be paid for by the Owner.

631-5.3 Sampling. A minimum of one sample per day shall be tested for the properties of Table 2. A random sample of approximately one-quarter of the composite mix will be obtained daily by the Contractor and stored in a glass container. The containers shall be sealed against contamination and retained in storage by the Owner for a period of six months. Samples shall be stored at room temperature and not be subjected to freezing temperatures.

A sample of undiluted coal tar emulsion shall be obtained from each consignment shipped to the job.

631-5.4 Engineer's records. The Engineer will keep an accurate record of each batch of materials used in the formulation of the seal coat.

METHOD OF MEASUREMENT

631-6.1 The refined coal tar emulsion with additives shall be measured by the [gallon (liter)] [ton (kg)]. Only the actual quantity of undiluted refined coal tar emulsion with additives will be measured for payment.

631-6.2 Aggregate shall be measured by the ton (kg) of dry aggregate.

BASIS OF PAYMENT

631-7.1 Payment shall be made at the contract unit price per [gallon (liter)] [ton (kg)] for the refined coal tar emulsion with additives and at the contract price per ton (kg) for aggregate.

These prices shall be full compensation for furnishing all materials, preparing, mixing, and applying these materials, and for all labor, equipment, tools, and incidentals necessary to complete the item.

Payment will be made under:

- Item P-631-7.1 Refined Coal Tar Emulsion with Additives for Slurry Coat - per [gallon
(liter)] [ton (kg)]
- Item P-631-7.2 Aggregate - per ton (kg) of dry aggregate.

TESTING REQUIREMENTS

29 CFR Part 1910.1200 Hazard Communication

- ASTM C67 Standard Test Method for Sampling and Testing Brick and Structural Clay Tile
- ASTM C136 Standard Test Method for Sieve or Screen Analysis of Fine and Coarse
Aggregates
- ASTM D5727 Standard Specification for Emulsified Refined Coal Tar (Mineral Colloid Type)

MATERIAL REQUIREMENTS

- ASTM D490 Standard Specification for Road Tar
- ASTM D692 Standard Specification for Coarse Aggregate for Bituminous Paving Mixtures
- ASTM D3699 Standard Specification for Kerosine
- ASTM D4866 Standard Performance Specification for Coal Tar Pitch Emulsion Pavement
Sealer Mix Formations Containing Mineral Aggregates and Optional Polymeric
Admixtures

ADDENDUM A
ITEM P-631 FUEL RESISTANCE TEST AND CRITERION

1. Scope.

This method determines the resistance of the coal tar emulsion seal coat to kerosene.

2. Apparatus.

- 2.1 Two 6" × 6" (150 mm × 150 mm) square 16 gauge sheet metal masks with a 4" × 4" (100 mm × 100 mm) square center removed
- 2.2 6" × 6" (150 mm × 150 mm) unglazed white ceramic tile with an absorption rate of 10-18% (determined in accordance with ASTM C67)
- 2.3 Brass ring, 2" (50 mm) diameter and 2" (50 mm) high
- 2.4 Kerosene meeting requirements of ASTM D3699
- 2.5 Silicone rubber sealant

3. Procedure.

- 3.1 Immerse the ceramic tile in distilled water for a minimum of ten minutes.
- 3.2 Remove excess water from the tile to produce a damp surface before applying the seal coat.
- 3.3 Using the mask described in 2.1 apply one layer of the coal tar emulsion mixture to the tile. Spread even with the top of the mask using a spatula or other straightedge.
- 3.4 Allow the sample to cure for 96 hours at 77 ±2°F. and 50 ±10% relative humidity.
- 3.5 Position a second mask on top of the first mask.
- 3.6 Apply a second coat of coal tar emulsion mixture. Spread even with the top of the second mask.
- 3.7 Cure as in step 3.4.
- 3.8 After curing, affix the brass ring to the seal coat on the tile with silicone rubber sealant.
- 3.9 Fill the brass ring with kerosene.
- 3.10 After 24 hours, remove the kerosene from the brass ring, blot dry and immediately examine the film for softness and loss of adhesion. Immediately after the film is examined, break the tile in half, exposing that part of the tile whose film was subjected to the kerosene.
- 3.11 Evaluate for penetration of kerosene through the sealer and loss of adhesion.

4. Report.

Report the results as pass or fail. Visible evidence of leakage or discoloration shall constitute failure of the fuel resistance test.

- 5. Criterion:** A "pass" rating in the fuel resistance test is required prior to full production.

END OF ITEM P-631

Item P-632 Bituminous Pavement Rejuvenation

DESCRIPTION

This type of surface treatment is approved for use on general aviation airports serving small airplanes 12,500 lbs (5670 kg) or less; however, it is only recommended for use on pavements other than airfield pavements.

Note in this specification, the term “rejuvenation product” will carry the same connotation as the term “rejuvenator” or “rejuvenator/sealer.” The term “rejuvenation product” will be used throughout this specification for the purpose of recognizing rejuvenation performance for each class of rejuvenation products.

632-1.1 This item shall consist of a rejuvenator properly proportioned, mixed, and spread on an asphalt pavement surface, including airport pavements serving small airplanes 12,500 lbs (5670 kg) or less, roads, and other general applications. The application of the rejuvenator shall be in accordance with these specifications and shall conform to the dimensions shown on the plans or as directed by the Engineer.

632-1.2 Bituminous pavement rejuvenation. This item governs the application of an asphalt pavement rejuvenation product applied to a previously placed hot mix asphalt (HMA) surface in accordance with these specifications, as shown on the plans, or as directed by the Engineer. The purpose of this product is rejuvenation of the upper 3/8 inch (9 mm) of oxidized or otherwise aged asphalt binder without causing an unacceptable reduction in the friction characteristics (skid resistance) of the pavement section. Additionally, the rejuvenation product should not introduce unacceptable pavement distresses such as raveling, high temperature deformation (rutting), and loss of strength. The rejuvenation product should not contribute to accelerated deterioration of the pavement.

Project Selection. The performance of a rejuvenation product is contingent on the pavement condition at the time of application. The pavement condition survey provides a measure of the pavement condition by analyzing the type, amount, and severity of the distresses, and by determining the pavement condition index (PCI) in accordance with ASTM D5340. A typical asphalt pavement candidate for rejuvenation is one without structural, load associated distresses (or has provisions to correct these distresses) and with low to moderate environmental, temperature associated distresses. The recommended corrected PCI should be equal to or greater than 70 to qualify as a candidate for asphalt rejuvenation.

MATERIAL

632-2.1 Rejuvenation product.

a. The rejuvenation product must be capable of achieving the minimum changes in the asphalt binder properties shown in Tables 1 or 2 after proper application and field exposure.

b. The binder extracted per ASTM D2172, Method A and recovered per ASTM D1856 or D5404 from samples of the upper 3/8 inch (9 mm) of the surface of the treated pavement must exhibit the percent decrease in absolute viscosity or complex viscosity and corresponding phase angle increase listed in Tables 1 or 2, when compared to the values from adjacent untreated samples from the same pavement in the prescribed timeframe.

c. The submittal must include, from previous projects, independent laboratory test results accredited by an American Association of State Highway Transportation Officials (AASHTO) Materials Reference Laboratory (AMRL). The test results should verify the ability of the proposed rejuvenation product to achieve the minimum changes in asphalt binder properties shown in Table 1 or 2.

Table 1. Pavement Three (3) Years or Less in Age

Item	Property of Recovered Binder ²	Requirement	Test Method
1	Absolute Viscosity _{60°C} , P	≥ 25% Decrease ²	ASTM D2171
2a	Complex Modulus _{60°C} , G*		AASHTO T315
2b	Viscosity _{60°C} , $\eta = G^* / \omega$ Pa·s		
2c	Phase Angle _{60°C} , $\delta, ^\circ$	Report	

Table 2. Pavement More than Three (3) Years in Age

Item	Property of Recovered Binder ²	Requirement	Test Method
1	Absolute Viscosity _{60°C} , P	≥ 40% Decrease ²	ASTM D2171
2a	Complex Modulus _{60°C} , G*, kPa		AASHTO T315
2b	Viscosity _{60°C} , $\eta^* = G^* / \omega$ Pa·s		
2c	Phase Angle _{60°C} , $\delta, ^\circ$	Report	

² Procedures: Sample collection for application and acceptance as noted in this specification. Sample weights and measure by ASTM D3549; Extraction by: ASTM D2172, Method A using toluene (conditioning to remove moisture will not be accomplished); Recovery by: ASTM D1856 (Abson) or ASTM D5404 (Roto-Vap); and binder extraction, recovery and testing within 48 hours of obtaining pavement cores or equivalent surface area samples.

632-2.2 Rejuvenation documentation/certification.

a. Performance. The submittal must include documentation of previous use and test data conclusively demonstrating that the rejuvenation product has been used successfully for a period of two or more years by other user agencies; and that the asphalt rejuvenation product has been proven to perform in a manner equivalent to this specification, through field testing by independent testing laboratory for using agencies as to the required change in the recovered asphalt binder properties. Testing data must be submitted indicating such product performance from at least two projects representative of two different HMA mix designs, each being tested for a minimum of two years to ensure reasonable longevity of the treatment, as well as product consistency. The performance documentation must be

presented from a geographically similar climatic region of the United States as that for this project, for example, wet-warm, wet-cool, dry-warm, and dry-cool, and contain data specified in paragraph 632-2.1.c.

b. Friction characteristics. For projects where rejuvenation product(s) are applied on runway and taxiway surfaces, the Contractor shall submit to the Engineer friction tests, from previous airport projects which used the rejuvenation product in a similar environment, in accordance with AC 150/5320-12, at 40 mph (65 km/h) wet, showing, as a minimum; friction value of pavement surface prior to sealant application; two values, tested between 24 and 96 hours after application, with a minimum of 24 hours between tests; and one value tested at no less than 180 days or greater than 360 days after the application. The results of the two tests between 24 and 96 hours shall indicate friction is increasing at a rate to obtain similar friction value of the pavement surface prior to application, and the long term test shall indicate no apparent adverse effect with time relative to friction values and existing pavement surface. The Contractor shall submit to the Engineer a list of airports which meet the above requirements, as well as technical details on application rates, aggregate rates, and point of contact at these airports to confirm use and success of sealer. Friction tests shall be submitted from no less than one of the airports on the list and each set of tests described above, must be from one project.

Rejuvenation product submittal without the required friction performance will not be approved. Friction tests performed on this project cannot be used as a substitute of this requirement.

c. Health, safety, and environment. The Contractor must provide a complete Material Safety Data Sheet (MSDS) in accordance with U.S. Department of Labor, Occupational Safety and Health Administration (OSHA), Regulations (Standards – 29 CFR), 1910.1200 which establishes the requirement and minimum information for the MSDS for hazardous materials. The MSDS, Section II, shall include the Chemical Abstracts Service (CAS) registry numbers for all applicable hazardous ingredients in the rejuvenation product. The Contractor must provide the manufacturer's certification that the rejuvenation product complies with the Code of Federal Regulation (CFR) Title 40 – Protection of Environment. The manufacturer's certification shall address compliance for Air Programs, Part 59, National Volatile Organic Compound Emission Standards for Consumer and Commercial Products (for the airport location) and Water Programs, Part 116, Designation of Hazardous Substances.

APPLICATION RATE

632-3.1 Test sections. Prior to full application, the Contractor must place a series of test sections (minimum one square yard (0.8 sq m)) at application rates as judged necessary by the manufacturer to establish the appropriate project rejuvenation product application rates for the specific product. As a minimum, a test section is required for each different HMA mix design identified in the project. Additional test sections may be required due to highly variable traffic areas, for example, taxiway pavement wheel paths versus taxiway edge areas or specific areas identified by the Engineer. The Contractor must select test sections to obtain pavement cores or saw cut "slabs" (equivalent surface area samples) in accordance with paragraph 632-6.3. The pavement cores or equivalent surface area samples must be taken 48 hours after application of the rejuvenation test sections and tested in accordance with Table 1 or 2, Item 1 and Item 2a, paragraph 632-2.1 for the purpose of determining a recommendation for the rejuvenation product application rates. The Contractor is responsible for all sampling and testing associated with the test sections.

A qualified manufacturer's representative shall be present in the field to assist the Contractor in applying test areas and/or test sections to determine the optimum application rate. [A test section shall be required for friction testing for runway applications.]

Add bracketed sentence if application is on a runway.

632-3.2 Approval. The Contractor and the Engineer shall examine the test sections 24 hours after treatment to determine if the entire rejuvenation product has penetrated into the surface. Application rates that have not allowed full penetration into the pavement surface after 24 hours must not be permitted to be used for full production. The application rates for full production must be determined by the Contractor and approved by the Engineer based on the Contractor's recommendation and observation of test sections and test section data from paragraph 632-3.1.

CONSTRUCTION

632-4.1 Worker safety. The rejuvenation product must be handled with caution. The Contractor must obtain a MSDS for the rejuvenation product and require workmen to follow the manufacturer's recommended safety precautions.

632-4.2 Weather limitations. The rejuvenation product must be applied only when the existing surface is dry and the weather forecast is in accordance with the manufacturer's recommendations for application and curing. The rejuvenation product must not be applied during inclement weather or when rain or freezing temperatures are anticipated within 24 hours before or after application. If weather conditions interfere with application and/or curing, the Engineer may at his discretion suspend the job or require remedial action as deemed necessary.

During application, account for wind drift. Cover existing buildings, structures, runway edge lights, taxiway edge lights, informational signs, retro-reflective marking and in-pavement duct markers as necessary to protect against overspray before applying the rejuvenation product. Should the rejuvenation product get on any light or marker fixture, promptly clean the fixture. If cleaning is not satisfactory to the Engineer, the Contractor shall replace any light, sign or marker with equivalent equipment at no cost to the Owner.

632-4.3 Equipment. The Contractor must furnish all equipment and hardware necessary for the performance of the work. The rejuvenation product should be delivered in dedicated tankers and/or containers with agitating equipment and filters, per manufacturer's recommendations. The distributor must be designed and equipped in accordance with the manufacturer's recommendations, but include as a minimum, the following characteristics:

- a. Adequate heating capability for rapid heating of the rejuvenator to the proper application temperature.
- b. A positive displacement pump capable of pumping low viscosity material and providing a pre-selected constant pressure to deliver the specified rates of application.
- c. A full circulation spray bar and applicator that maintain proper nozzles, which provide the specified rate of application.
- d. A hooded spray bar and applicator that maintain proper nozzle height.
- e. A positive shut-off for the spray bar and a hand spray (with hose) equipped with a positive shut-off at the spray gun.
- f. A thermometer installed in the distributor tank to measure the temperature of the rejuvenation product at the time of the application.

g. A speedometer calibrated to a minimum of tenths of miles per hour.

h. A chart listing the capacity of the tank (in gallons (liters)) for each one inch (25 mm) of depth. A chart showing speed/pressure application rates must also be included.

632-4.4 Preparation of asphalt pavement surfaces. Clean pavement surface immediately prior to placing the seal coat by sweeping, flushing well with water leaving no standing water, or a combination of both, so that it is free of dust, dirt, grease, vegetation, oil or any type of objectionable surface film. Remove oil or grease that has not penetrated the asphalt pavement by scraping or by scrubbing with a detergent, then wash thoroughly with clean water. After cleaning, treat these areas with the oil spot primer. Any additional surface preparation, such as crack repair, shall be in accordance with paragraph 101-3.6.

632-4.5 Application of rejuvenation product.

a. Following preparation and subsequent inspection of the surface and consideration for skid resistance, the rejuvenation product shall be uniformly applied over the surface to be treated at the approved rate with an allowable variation from the approved rate of application of ±5%, in accordance with ASTM D2995.

b. Materials shall be applied at the temperature recommended by the manufacturer.

To obtain uniform application of the material on the surface treated at the junction of previous and subsequent applications, heavy paper or cardboard, equivalent technique, must be spread on the surface at a sufficient distance back from the ends of each application so that the material may be started and stopped on the paper. Immediately after application, the building paper must be removed and properly disposed.

Areas missed by the distributor must be properly treated with the hand spray.

Following application of the rejuvenation product, the surface should not be disturbed for a period of at least 24 hours.

c. Other rejuvenation product application procedures include:

(1) Calibration test. Contractor must furnish all equipment, materials, and labor necessary to calibrate the bituminous distributor or other application equipment. Calibration must be made with approved job material and prior to applying the rejuvenation product to the prepared surface. Calibration of the bituminous distributor and the specialized bituminous spray applicator must be in accordance with ASTM D2995.

(2) Excess rejuvenation product removal. Manufactured sand, as approved by the Engineer, must be provided by the Contractor at no additional costs and must be spread in sufficient quantity to effectively blot up any excess rejuvenation product remaining on the treated pavement surface after 24 hours at no additional costs.

(3) Ponding and puddling of rejuvenation product. If low spots and depressions in the pavement surface cause ponding or puddling of the rejuvenation product, the pavement surface must be broomed with a broom drag. Brooming should continue until the pavement surface is free of any pools of excess material. Ponding and/or puddling must not cause excess pavement softening and/or additional distress. The Engineer must inspect and approve areas after “brooming.”

(4) Excess runoff of rejuvenation product. The application rate should be reduced, and the Engineer notified, if the surface grade of the pavement surface causes excessive runoff of the rejuvenation product. Additional rejuvenation product, if necessary, may be subsequently applied after the first application of material has penetrated into the pavement to achieve the required properties of the treated binder

(5) Insufficient rejuvenation product. When it is determined by the Engineer that the actual application rate of the rejuvenation product is more than 5% below the approved application rate, subsequent applications of materials must be made to bring the actual application rate up to the approved rate; additional rejuvenation product must penetrate into the pavement surface within 24 hours after application. Multiple applications may be required at the discretion of the Engineer, requiring additional pavement sampling and rejuvenation testing to assure compliance with Table 1 or 2 of 632-2.1.

632-4.6 Cure time remedial option – application of sand.

a. The Contractor must apply sand to the surface of the treated asphalt pavement if the rejuvenation product does not meet the cure time requirement and/or the frictional characteristics (skid resistance) have been reduced to an unacceptable level. An unacceptable level of frictional characteristics (skid resistance) is defined in paragraph 632-6.6.

b. The manufactured sand must be dry, hard, durable, free from clay, salt and foreign matter and well graded (100% passing #8 sieve and less than 10% passing #200 sieve). The sand must be uniformly applied at a rate of $3.0 \text{ lb/yd}^2 \pm 0.5 \text{ lb/yd}^2$, rolled (as recommended by the Contractor and accepted by the Engineer) into the treated surface and any surplus removed with a power broom, or as directed by the Engineer. The Contractor is responsible for all materials, equipment, and costs associated with the application of sand.

c. All manufactured sand or approved substitute used during the treatment must be removed from the airport as soon as practical after treatment of a pavement and prior to opening any airfield runway, taxiway, etc. This should be accomplished by a combination of hand and mechanical sweeping. All turnouts must be cleaned of any sand to the satisfaction of the Engineer. The Contractor is responsible for all materials, equipment, and costs associated with the application, removal and disposal of the sand.

d. If, after sand is swept and in the opinion of the Engineer, a hazardous condition exists on the pavement, the Contractor must apply additional sand and sweep same immediately following reapplication. No additional compensation will be allowed for reapplication and removal of sand.

QUALITY CONTROL

632-5.1 Manufacturer representation. The Contractor must have a manufacturer's authorized representative on the job site at the beginning of the work and during all rejuvenation product application. The manufacturer's representative must have knowledge of the material, procedures, and equipment described in the specification and will be responsible for determining the application rates and must oversee the preparation and application of the rejuvenation product. Documentation of the manufacturer representative's experience and knowledge for applying the rejuvenation product must be furnished to the Engineer a minimum of 10 work days prior to placement of the test sections. The cost of the manufacturer's representative will be included in the bid price.

The requirement for the Contractor to require a manufacturer's authorized representative on the job site at the beginning of the work and during all rejuvenation product application may be deleted, at the discretion of the Engineer. Past experience has demonstrated that improper application rates have resulted through subcontract agreements, and this decision must be predicated on the Engineer's ability to control selection and placement of the application rate under the Contract provisions.

632-5.2 Quality control plan. The Contractor must submit a quality control plan to the Engineer a minimum of 10 days prior to applying test sections in accordance with paragraph 632-3.1. The quality control plan must address all items that affect the quality of the rejuvenation application including, but not limited to:

- a. Qualifications of personnel.
- b. Schedule for the project.
- c. Procedure to monitor the weather/temperature limitations.
- d. Inspection requirements including rejuvenation product, test sections, storage of rejuvenation product, preparation of the pavement surface, and equipment calibration.
- e. Provisions for obtaining, packaging and shipping acceptance samples and repair of the pavement.
- f. Provisions for sample testing, testing laboratory name, location, accreditation, contact person, all contact information, testing requested, and report on information.

632-5.3 Warranty. The Contractor must provide a manufacturer's/applicator warranty that the treated pavement will retain the lower binder properties of Table 1 or 2, for a period of two (2) years from the date of treatment. For compliance with the warranty, the Owner may obtain cores and perform tests in accordance with REJUVENATION ACCEPTANCE. The Contractor must further warrant that from the date the rejuvenation product was applied, the material will not flake, peel, chip, spall, nor otherwise contribute to or accelerate the aging of the pavement. The Contractor must reapply the rejuvenation product, as necessary, or provide remedial actions at no cost to the Owner, and/or refund all payments at the Owner's discretion. The Engineer must designate and record an area of no less than 10 square yard (8.36 m²) of untreated and 10 square yards (8.36 m²) of treated pavement as the control sections for warranty testing. In the event a pay reduction, or no payment, is enforced, the warranty is rescinded.

REJUVENATION ACCEPTANCE

632-6.1 Product sampling. The Engineer will take samples of the rejuvenation product proposed for use upon delivery of each shipment in accordance with ASTM D140 and store in accordance with the MSDS, Section VII for a period of at least six months after payment in accordance with paragraph 632-8.1. Testing, as necessary, will be accomplished by the Engineer to verify information provided by the MSDS information.

632-6.2 Freight and weigh bills. The Contractor must furnish the Engineer receipted bills when railroad shipments are made, and certified weigh bills when materials are received in any other manner, of the rejuvenation product used in the construction covered by the contract. The Contractor shall not remove rejuvenation product from the tank car or storage tank until the initial outage and temperature

measurements have been taken by the Engineer, nor shall the car or tank be released until the final outage has been taken by the Engineer.

632-6.3 Field sampling procedures. Sampling of the pavement sections to be treated must be performed before and after the pavement has been treated with the rejuvenation product. The Contractor will be responsible for obtaining all pavement core samples or equivalent surface area samples as approved by the Engineer for testing. At the discretion and approval of the Engineer, the before samples collected and tested for application may suffice for before samples for acceptance.

a. At each sampling location, three (3) cores or equivalent surface area samples of the untreated pavement must be taken before the rejuvenation product is placed and three (3) cores or equivalent surface area samples of the treated pavement after application of the rejuvenation product must be taken. The before and after cores must be taken in the same general area, at a minimum within the same paving lane and within one foot (30 cm) of each other. All pavement cores taken by the Contractor must be six (6) in in diameter. The Contractor must repair any sample holes resulting from the removal of asphalt concrete pavement cores or equivalent surface area samples (with suitable materials and methods as approved by the Engineer) at no cost to the Owner.

b. The treated pavement cores or equivalent surface area samples must be taken 30-45 days after application of the rejuvenation product.

c. Both untreated and treated pavement cores or equivalent surface area samples must be performed for each 20,000 square yards (16723 m²) or fractional part of pavement section per pavement plan or as required by the Engineer. Material acceptance in accordance with paragraph 632-2.1, Table 1 or Table 2, will be based on the test results for each 20,000 square yards (16723 m²) or fractional part of treated pavement section per pavement plan or as required by the Engineer. Locations for untreated samples should be determined by the Engineer on a random basis in accordance with the procedures contained in ASTM D3665 provided requirements of paragraph 632-6.3.a. can be satisfied for both untreated and treated samples.

It is recognized, the rate of recovered viscosity reduction in addition to product type and application rate is influenced by the climatic conditions and time of exposure prior to sampling and testing. All means to standardize these parameters should be taken. Time factor and weather conditions for all should be noted and recorded.

d. Pavement core samples or equivalent surface areas samples must be placed in labeled sealable plastic bags immediately after taking, cleaning and removing sampling water (blotting). The sealed samples must then be placed in labeled plastic core canisters. For equivalent surface area samples, an equivalent processing for the sample is required as approved by the Engineer. The specimens must be shipped to the designated laboratory within 24 hours of collection.

632-6.4 Rejuvenation testing responsibility. All acceptance testing necessary to determine conformance with this specification must be performed by the Engineer, or accredited independent test agency, to verify that the rejuvenation product achieves the minimum decrease in the asphalt binder properties as measured from binder in the top 3/8 ±1/32 inch (9mm ±1 mm) of the samples.

632-6.5 Rejuvenation testing. Tests must be conducted to extract the bituminous binder from the top 3/8 ±1/32 inch (9mm ±1 mm) of the cores/slabs precisely cut from the field specimens.

a. Binder extraction must be by ASTM D2172, Method A (centrifuge) with toluene, and recovered according to ASTM D1856 (Abson Method) or ASTM D5404 (Roto-Vap Method).

(1) Viscosity of the bituminous material must be measured in accordance with ASTM D2171. The percent decrease in the binder properties must be computed as follows:

$$\frac{100 (\text{absolute viscosity, } P, \text{ of untreated sample}) - (\text{absolute viscosity, } P, \text{ of treated sample})}{(\text{absolute viscosity, } P, \text{ of untreated samples})}$$

(2) The complex modulus, G^* , kPa, must be measured in accordance with AASHTO T315 C, at 140°F (60°C) 10 rad/sec or other recorded frequency. The percent decrease in the binder properties must be computed as follows:

$$\frac{100 (\text{complex modulus, } G^*, \text{ kPa of untreated sample}) - (\text{complex modulus, } G^*, \text{ kPa, of treated sample})}{(\text{complex modulus, } G^*, \text{ kPa, of untreated samples})}$$

(3) The complex viscosity, η^* , at 140°F (60°C) must be calculated and reported from the complex modulus, G^* and angular frequency, $\dot{\omega}$ (radians/sec).

b. Test results for absolute viscosity, complex modulus (and viscosity), and phase angle must be reported. The maximum percent reduction calculated for absolute viscosity or complex modulus must be considered in BASIS OF PAYMENT.

c. In the event of binders recovered from aged pavements and/or pavements using polymer modified binders (before treatment) exhibiting absolute viscosities $\geq 200,000$ P (data becomes suspect, viscosity exceeds test capabilities) the viscosity reduction compliance requirement should be determined based on the complex modulus, G^* , kPa.

632-6.6 Skid resistance. Special attention must be afforded to skid resistance based on the use of the pavement surfaces.

a. **For runway surfaces.** The pavement surface areas treated with rejuvenation product must be tested for skid resistance a minimum of forty-eight (48) hours after application of the rejuvenation product. The results of the friction evaluation must be equal or greater than the Maintenance Planning levels provided in Table 3-2, "Friction Level Classification for Runway Pavement Surfaces," in AC 150/5320-12, Measurement, Construction, and Maintenance of Skid-resistant Airport Pavement Surfaces, when tested at speeds of 40 and 60 mph (65 and 95 km/h) with approved continuous friction measuring equipment (CFME).

b. **For taxiway and apron surfaces.** The skid resistance for taxiway and apron surfaces must be inspected by the Contractor and Engineer a minimum of forty-eight (48) hours after application of the rejuvenation product. In the event either the Contractor or the Engineer has concern on the skid resistance of these surfaces, the Contractor must exercise 632-4.6, Cure Time Remedial Option – Application of Sand, to the satisfaction of the Engineer. Otherwise, the provisions of paragraph 632-6.6.a may be directed by the Engineer.

METHOD OF MEASUREMENT

632-7.1 Asphalt crack preparation and seal. The quantity of asphalt crack preparation and seal to be paid for must be the number of linear feet (m) performed in accordance with the plans and specifications and accepted by the Engineer.

632-7.2 Asphalt rejuvenation. The quantity of rejuvenation product to be paid for will be the number of square yards (sq m) performed in accordance with the plans and specifications and accepted by the Engineer. The Contractor must furnish the Engineer with the certified weigh bills when materials are received for the rejuvenation product used under this contract. The Contractor must not remove material from the tank car or storage tank until initial amounts and temperature measurements have been verified.

BASIS OF PAYMENT

632-8.1 Payment. Payment for accepted rejuvenation product will be made at the contract unit price per square yard (square meter) for bituminous rejuvenation adjusted according to paragraph 632-8.1.a. Payment for the crack preparation and seal will be made at the contract unit price per linear foot (linear meter).

a. Basis of adjusted payment. The payment for accepted rejuvenation product must be calculated in accordance with Table 3.

Table 3. Rejuvenation Pay Reduction

Binder Rejuvenation at Acceptance % Reduction in Absolute Viscosity or Complex Modulus		% Payment
Pavement More Than 3 Years in Age	Pavement Less Than 3 Years in Age	
≥ 40	≥ 25	100
30.0 - 39.9	20.0 - 24.9	75
Less than 30.0	Less than 20.0	No payment

b. Final payment. Final payment will not be made until rejuvenation success has been confirmed by acceptance testing, which does not occur until 30-45 days after application. Final payment will be full compensation for furnishing all materials and for all labor, equipment, tools, and incidentals necessary to complete the item.

Payment will be made under:

Item P-632-1	Asphalt Crack Preparation and Seal – per linear foot (linear meter)
Item P-632-2	Asphalt Rejuvenation – per square yard (square meter)

TESTING REQUIREMENTS

29 CFR Part 1910.1200 Hazard Communication

ASTM D140	Standard Practice for Sampling Bituminous Materials
ASTM D1856	Standard Test Method for Recovery of Asphalt from Solution by Abson Method
ASTM D2171	Standard Test Method for Viscosity of Asphalts by Vacuum Capillary Viscometer
ASTM D2172	Standard Test Methods for Quantitative Extraction of Bitumen from Bituminous Paving Mixtures
ASTM D2995	Standard Practice for Estimating Application Rate of Bituminous Distributors
ASTM D3549	Standard Test Method for Thickness or Height of Compacted Bituminous Paving Mixture Specimens
ASTM D3665	Standard Practice for Random Sampling of Construction Materials
ASTM D5340	Standard Test Method for Airport Pavement Condition Index Surveys

ASTM D5404	Standard Practice for Recovery of Asphalt from Solution Using the Rotary Evaporator
AASHTO T315	Standard Method of Test for Determining the Rheological Properties of Asphalt Binder Using a Dynamic Shear Rheometer (DSR)
AC 150/5320-12	Measurement, Construction, and Maintenance of Skid-Resistant Airport Pavement Surfaces
AC 150/5380-6	Guidelines and Procedures for Maintenance of Airport Pavements

END OF ITEM P-632

Part 8 – Fencing

Item F-160 Wire Fence With Wood Posts (Class A and B Fences)

DESCRIPTION

160-1.1 This item covers the requirements for furnishing materials and constructing new wire fences and gates with wood posts in accordance with the details included herein and as shown on the plans. The class of fence to be erected shall be either Class A, woven wire fencing topped by two strands of barbed wire, or Class B, four strands of barbed wire, as indicated on the plans and in the bid proposal.

MATERIALS

160-2.1 Wire.

a. Woven wire (zinc-coated). The woven wire fence shall be 7-bar, 26 inch (66 cm) field fence with top and bottom wires No. 10 gauge, and filler and stay wires No. 12-1/2 gauge. Stay wires shall be spaced 6 inches (150 mm) apart. All wires shall be smooth galvanized steel wire, conforming to ASTM A116. All wires shall be twice-dipped and shall be spaced as shown on the plans.

b. Barbed wire (zinc-coated). Zinc-coated barbed wire shall be 2-strand twisted No. 12-1/2 gauge galvanized steel wire with 4-point barbs of No. 14 gauge galvanized steel wire. All wire shall conform to ASTM A121, Type A. The barbs shall be spaced approximately 5 inches (125 mm) apart.

c. Barbed wire (copper-covered). Copper-covered steel barbed wire shall conform to ASTM A121, Type A.

d. Barbed wire (aluminum-coated). Aluminum-coated steel-barbed wire shall be 2-strand twisted No. 12-1/2 gauge. The 4-point barbs of No. 14 gauge aluminum-coated steel wire shall be spaced approximately 5 inches (125 mm) apart. The steel wire shall have a tensile strength of between 60,000 and 80,000 pounds per square inch (413 400 and 551 200 kPa), and the aluminum coating shall have a minimum weight of 0.30 ounces per square foot (0.07 kg/m²) of wire surface on the No. 12-1/2 gauge line wires and 0.25 ounces per square foot (0.06 kg/m²) of wire surface on the No. 14 gauge barbs.

e. Bracing wire (zinc-coated). Wire used for cable for bracing shall be No. 9 smooth galvanized soft wire.

160-2.2 Gates and hardware. Gates shall be constructed of galvanized steel tubing conforming to Federal Specification RR-F-191 and shall be the size shown on the plans. Heavily galvanized hinges and latches for wood posts shall be furnished with each gate. Either a bolt or lag screw hinge shall be used, and either a wing or butterfly latch shall be furnished.

160-2.3 Posts.

a. Species. All posts shall be one of the following species of wood, unless otherwise noted in the proposal.

Group I	Group II
Cedar	Douglas-fir
Chestnut	Gum, Red
Cypress, Southern	Larch, Western
Locust, Black	Pine, Southern Yellow
Osage-orange	Pine, Lodgepole
Redwood	Tamarack
Yew, Pacific	Ash
Honey locust	Maple, Sugar
Oak, White	Oak, Red
Mulberry	Spruce
Live Oak	

Posts of Group I may be used untreated, provided at least 75% of the wood is heartwood. Posts of less than 75% heartwood of Group I shall be given a preservative treatment for the part of the post that will have contact with the ground line in accordance with the method specified under subparagraph 160-2.3e(1) butt treatment below. Posts of Group II shall be given a preservative treatment in accordance with the method specified under subparagraph 160-2.3e full length treatment below.

b. Quality. Posts shall be peeled, sound, straight-grained, and free from decay, cracks, and splits. Shakes shall not be in excess of 1/4 inch (6 mm) wide and 3 feet (1 m) long. Checks (lengthwise separations of the wood in a generally radial direction) are permitted, provided they are not harmful.

c. Dimensions. All posts shall be the length shown on the plans. Posts shall have the minimum top diameters shown on the plans or as specified. Sawn and split posts are acceptable instead of round posts if the required diameter round posts could be turned from the sawn or split posts.

d. Manufacture. Outer bark shall be completely removed from all posts including depressions. Inner bark shall be removed from all post surfaces to be treated, except inner bark may remain in depressions. The amount of wood shaved off in the removal of inner bark shall be held to a minimum.

e. Treatment. Posts shall be conditioned by air seasoning, steaming, or heating in oil in a manner that prevents injurious checking, splitting, or warping before treating. All timber shall be thoroughly seasoned and dry (22% maximum moisture content) before applying preservative treatment. The treatment, care and preservative shall be with waterborne preservatives in accordance with American Wood Preservers Association (AWPA) Standard U1, Use Category 4 (UC4).

160-2.4 Braces. Cleats, gate stops, and braces shall be of the size shown on the plans. They shall be of the same species and quality specified for the posts or approved by the Engineer, and they shall be free from knots larger than one-third the width of the piece. Gate stops shall be made of posts of suitable length. Braces may be made of posts of suitable length or of sawed lumber. All cleats, gate stops, and any braces in contact with the ground and for a distance of at least 6 inches (150 mm) above the ground shall be treated by the hot and cold bath process, specified herein for posts. The wire used in cable for bracing shall conform to paragraph 160-2.1e.

160-2.5 Staples. The staples shall be No. 9 galvanized steel wire, one inch (25 mm) long for hardwood posts and 1-1/2 inch (38 mm) long for use in softwood posts.

CONSTRUCTION METHODS

160-3.1 General. The fence shall be constructed in accordance with the details on the plans and as specified here using new materials. All work shall be performed in a workmanlike manner, satisfactory to the Engineer. Before beginning the work or at the request of the Contractor, the Engineer shall establish and mark the property line or fence line for the work. The Contractor shall span the opening below the fence with barbed wire at all locations where it is not practical to conform the fence to the general contour of the ground surface because of natural or manmade features such as drainage ditches. The new fence shall be permanently tied to the terminals of existing fences whenever required by the Engineer. The finished fence shall be plumb, taut, true to line and ground contour, and complete in every detail. When directed by the Engineer, the Contractor shall stake down the woven wire fence at several points between posts.

The Contractor shall arrange the work so construction of the new fence immediately follows the removal of existing fences. The length of unfenced section at any time shall not exceed 300 feet (90 m). The work shall progress in this manner, and at the close of the working day, the newly constructed fence shall be tied to the unremoved existing fence.

160-3.2 Clearing fence line. The site of the fence shall be sufficiently clear of obstructions, and surface irregularities. The fence line shall be graded so that the fence will conform to the general contour of the ground. The fence line shall be cleared to a minimum width of 5 feet (1.5 m) on each side of the centerline of the fence. This clearing shall consist of the removal of all stumps, brush, rocks, trees, or other obstructions that will interfere with proper construction of the fence. Stumps within the cleared area of the fence line shall be grubbed or excavated. The bottom of the fence shall be placed a uniform distance above ground as specified in the plans. When shown on the plans or as directed by the Engineer, the existing fences which interfere with the new fence location shall be removed by the Contractor as part of the construction work, unless removal is listed as a separate item in the bid schedule. All holes remaining after post and stump removal shall be refilled with suitable soil, gravel, or other material and shall be compacted with tampers.

The work shall include the handling and disposal of all material cleared, of excess excavation and the removal of spoiled material regardless of the type, character, composition, or condition of such material encountered.

160-3.3 Setting posts. Posts shall be set with large ends down, plumb, and in a straight line on the side on which the wire is to be fastened. Posts shall be set full depth and shall not be cut off to eliminate rock or other excavation. Where rock is encountered, it shall be removed, to provide full-depth and full-size holes. The bottom of all posts shall be cut off square. The diameter of the holes shall be at least 6 inches (150 mm) larger than the diameter of the posts. When cleats are used on posts, the holes shall be dug large enough to accommodate the cleat. After posts are placed and lined, the holes shall be backfilled with suitable material that shall be properly compacted by the use of tampers. The posts adjacent to end, corner, anchor, and gate posts shall be set and braced with braces and wire, as shown on the plans. No extra compensation shall be made for rock excavation.

160-3.4 Anchoring. Corner, end, gate, and adjacent intermediate posts shall be anchored, by gaining and spiking cleats to the sides of the posts, as indicated on the plans. No cleats will be required on other intermediate posts or on anchor posts.

160-3.5 Bracing. End, corner, anchor, and gate posts shall be braced by using a post of sufficient length or a piece of sawed lumber of the proper size, together with a wire cable. The wooden brace shall be

gained and securely spiked into the end, corner, anchor, or gate posts and into the next intermediate posts about 6 inches (150 mm) from the top of the respective posts. A cable made of a double strand of galvanized soft wire shall be looped around the end, corner, anchor, or gate post near the ground and around the next intermediate post about 12 inches (300 mm) from the top. After the cable has been stapled in this position, it shall be twisted until tight. The staples used to hold the cable shall be not less than 1-1/2 inch (38 mm) long. The tool used for twisting the cable shall be left in place to permit later adjustment of bracing if found necessary. Anchor posts shall be set at approximately 500 feet (150 m) intervals and braced to the adjacent posts. Posts shall be braced before the wire fencing is placed.

160-3.6 Installing wire. The wires shall be placed on the side of the posts away from the airport or as directed. The wire fence shall be placed on the posts at the height indicated on the plans. Longitudinal wires shall be installed parallel and drawn uniformly taut. The vertical stay wires of the woven wire fencing shall be straight and vertical. At end and gate posts the woven wire and barbed wire shall be wrapped once around the post; each longitudinal wire shall be stapled at least three times and the ends of these wires shall be tied with a snug, tight twist. Each longitudinal wire shall be stapled to each intermediate post with one steel wire staple; at the corner and anchor posts, two or more staples shall be used. The top strand of barbed wire of all fences shall be stapled with two staples in each post. All staples shall be set diagonally with the grain of the wood and driven up tight. After the fence has been erected, the tops of the wood posts shall be sawed off with a 1-to-3 pitch. The bottom wire of the wire fencing shall clear the ground by not more than 4 inches (100 mm) or less than one inch (25 mm) at any place.

160-3.7 Splicing wire. Wire splices in longitudinal wires will be permitted if made with an approved galvanized bolt-clamp splice or a wire splice made as follows: The end of the wires shall be carried 3 inches (75 mm) past the splice tool and wrapped around the other wire away from the tool for at least six turns in opposite directions. After the tool is removed, the space occupied by it shall be closed by pulling the ends together. The unused ends of the wires shall be cut close to make a neat, workmanlike job. Woven wire shall be spliced only at posts.

160-3.8 Installing gates. The gates shall be hung on gate fittings, as shown on the plans. Fittings on the gate posts shall be clamped, screwed, or bolted to prevent slipping. Gates shall be so erected as to swing in the direction indicated and shall be provided with gate stops, as specified or as shown on the plans. Gates shall be erected at locations shown on the plans.

160-3.9 Existing fence connections. Wherever the new fence joins an existing fence, either at a corner or at the intersection of straight fence lines, a corner or anchor post shall be set at the junction and braced and anchored the same as herein described for corner posts.

If the connection is made at other than the corner of the new fence, the last span of the old fence shall contain a brace span.

160-3.10 Cleaning up. The Contractor shall remove from the vicinity of the completed work all tools, buildings, equipment, etc., used during construction. All disturbed areas shall be seeded per T-901.

METHOD OF MEASUREMENT

160-4.1 Fences, Class A (Wood Posts) or Class B (Wood Posts), shall be measured in place from outside to outside of end posts or corner posts and shall be the length of fence actually constructed, except for the space occupied by the gates.

160-4.2 Vehicle gates and pedestrian gates shall be measured in units for each gate installed and accepted.

BASIS OF PAYMENT

160-5.1 Payment will be made at the contract unit price per linear foot (meter) for Class A or Class B wire fence. This price shall be full compensation for furnishing all materials and for preparation, erection, and installation of these materials, and for all labor, equipment, tools and incidentals necessary to complete the item.

160-5.2 Payment will be made at the contract unit price per each for vehicle or for pedestrian gates. This price shall be full compensation for furnishing all materials and for all preparation, erection, and installation of these materials and for all labor, equipment, tools, and necessary incidentals to complete the item.

Payment will be made under:

Item F-160-5.1a	Fence, Class A - per linear foot (meter)
Item F-160-5.1b	Fence, Class B - per linear foot (meter)
Item F-160-5.2a	Vehicle Gates - per each
Item F-160-5.2b	Pedestrian Gates - per each

MATERIAL REQUIREMENTS

ASTM A116	Standard Specification for Metallic-Coated, Steel Woven Wire Fence Fabric
ASTM A121	Standard Specification for Metallic-Coated Carbon Steel Barbed Wire
AWPA U1	Use Category System: User Specification for Treated Wood
FAA-STD-019	Lightning and Surge Protection, Grounding, Bonding and Shielding Requirements for Facilities and Electronic Equipment
FED SPEC RR-F-191/Gen	Fencing, Wire and Post Metal (and Gates, Chain-link, Fence Fabric, and Accessories) (General Specification)

END OF ITEM F-160

Intentionally Left Blank

Item F-161 Wire Fence With Steel Posts (Class C and D Fence)

DESCRIPTION

161-1.1 This item covers the requirements for furnishing materials and constructing new wire fences and gates with steel posts in accordance with the details included herein and as shown on the plans. The class of fence to be erected shall be either Class C, woven wire fencing surmounted by two strands of barbed wire, or Class D, four strands of barbed wire, as indicated on the plans and in the bid proposal.

MATERIALS

161-2.1 Wire.

a. Woven wire (zinc-coated). The woven wire fencing shall be 7-bar, 26 inch (66 cm) field fence with top and bottom wires No. 10 gauge, and filler and stay wires No. 12-1/2 gauge. Stay wires shall be spaced 6 inch (150 mm) apart. All wire shall be smooth galvanized steel wire conforming to ASTM A116. All wires shall be twice-dipped and spaced as shown on the plans.

b. Barbed wire (zinc-coated). Zinc-coated barbed wire shall be 2-strand twisted No. 12-1/2 gauge galvanized steel wire with 4-point barbs of No. 14 gauge galvanized steel wire. All wire shall conform to ASTM A121, Type A. The barbs shall be spaced approximately 5 inches (125 mm) apart.

c. Barbed wire (copper-covered). Copper-covered steel barbed wire shall conform to ASTM A121, Type A.

d. Barbed wire (aluminum-coated). Aluminum-coated steel barbed wire shall be 2-strand twisted No. 12-1/2 gauge. The 4-point barbs of No. 14 gauge aluminum-coated steel wire shall be spaced approximately 5 inches (125 mm) apart. The steel wire shall have a tensile strength of between 60,000 and 80,000 pounds per square inch (413 400 and 551 200 kPa) and the aluminum coating shall have a minimum weight of 0.30 ounces per square foot (0.07 kg/m²) of wire surface on the No. 12-1/2 gauge line wire and 0.25 ounces per square foot (0.06 kg/m²) of wire surface on the No. 14 gauge barbs.

e. Bracing wire (zinc-coated). Wire used for cable bracing shall be No. 9 smooth galvanized soft wire.

161-2.2 Fence posts, gates, rails, braces, and accessories. These items, when specified, shall conform to the requirements of Federal Specification RR-F-191 and shall be zinc-coated.

161-2.3 Concrete. Concrete shall be of a commercial grade with a minimum 28-day compressive strength of 2500 psi.

CONSTRUCTION METHODS

161-3.1 General. The fence shall be constructed in accordance with the details on the plans and as specified here using new materials. All work shall be performed in a workmanlike manner satisfactory to the Engineer. Before starting work or at the request of the Contractor, the Engineer shall establish and mark the property line or fence line. The Contractor shall span the opening below the fence with barbed wire at all locations where it is not practical to conform the fence to the general contour of the ground surface because of natural or manmade features such as drainage ditches. The new fence shall be permanently tied to the terminals of existing fences whenever required by the Engineer. The finished

fence shall be plumb, taut, true to line and ground contour, and complete in every detail. When directed, the Contractor shall stake down the woven wire fence at several points between posts.

The Contractor shall arrange the work so that construction of the new fence will immediately follow the removal of existing fences. The length of unfenced section at any time shall not exceed 300 feet (90 m). The work shall progress in this manner and at the close of the working day the newly constructed fence shall be tied to the existing fence.

161-3.2 Clearing fence line. The site of the fence shall be sufficiently cleared of obstructions, and surface irregularities. The fence line shall be graded so that the fence will conform to the general contour of the ground. The fence line shall be cleared to a minimum width of 5 feet (1.5 m) on each side of the centerline of the fence. This clearing shall consist of the removal of all stumps, brush, rocks, trees, or other obstructions that will interfere with proper construction of the fence. Stumps within the cleared area of the fence shall be grubbed or excavated. The bottom of the fence shall be placed a uniform distance above ground, as specified in the plans. When shown on the plans or as directed by the Engineer, the existing fences which interfere with the new fence location shall be removed by the Contractor as a part of the construction work unless such removal is listed as a separate item in the bid schedule. All holes remaining after post and stump removal shall be refilled with suitable soil, gravel, or other suitable material and compacted with tampers.

The work shall include the handling and disposal of all material cleared, excavated or removed, regardless of the type, character, composition, or condition of such material encountered.

161-3.3 Installing posts. All posts shall be spaced as shown on the plans. Corner, brace, anchor, end, and gate posts shall be set in concrete as shown on the plans. The top of the concrete shall be slightly above the ground surface, trowel finished, and sloped to drain. Post holes of full depth and size for the concrete shall be provided. All line posts may be either driven or set in dug holes to a depth of 3 feet (1 m). All post setting shall be done carefully and to true alignment. Dirt removed for placing posts, anchor bars, flanges, etc., shall be replaced, tamped, and leveled. When posts are driven, care shall be exercised to prevent marring or buckling of the posts. Damaged posts shall be replaced at the Contractor's expense. No extra compensation will be made for rock excavation.

161-3.4 Bracing. All corner, anchor, end, and gate posts shall be braced as shown on the plans. Anchor posts shall be set at approximately 500 feet (150 meters) intervals and braced to the adjacent posts.

161-3.5 Installing wire. All barbed wire and woven wire shall be placed on the side of the post away from the airport, or as directed by the Engineer, at the height indicated on the plans. The woven wire shall be carefully stretched and hung without sag and with true alignment. Care shall be taken not to stretch the wire so tightly that it will break in cold weather or pull up corner and brace posts. All horizontal wires shall be fastened securely to each post by fasteners or clips designed for use with the posts furnished. The woven wire shall be wrapped around end, corner, and gate posts, and the ends of all horizontal wires shall be tied with snug, tight twists. The wire shall be secured to prevent slipping up and down the post. Barbed wire strands shall be stretched and each strand secured to each post to prevent slipping out of line or becoming loose. At end, corner, and gate posts the barbed wire shall be securely wrapped and anchored once about the post from outside and secured against slipping by tying the ends with snug, tight twists. However, on spans of less than 100 feet (30 m) both ends of the span need not be wrapped around the posts. The bottom wire of the woven wire fencing shall clear the ground by not more than 4 inches (100 mm) or less than one inch (25 mm) at any place.

161-3.6 Splicing wire. Splices in barbed and woven wire will be permitted if made with an approved galvanized bolt-clamp splice or a wire splice made as follows: The ends of each wire shall be carried 3 inches (75 mm) past the splice tool and wrapped around the other wire for at least six turns in opposite directions. After the tool is removed, the space occupied by it shall be closed by pulling the ends together. The unused ends of the wire shall be cut close to make a neat, workmanlike job.

161-3.7 Installing gates. The gates shall be hung on gate fittings as shown on the plans. They shall be attached in such a manner that the gate cannot be lifted off the hinges. Gates shall be erected to swing in the direction indicated and shall be provided with gate stops, as specified or as shown on the plans. Gates shall be erected at locations shown on the plans.

161-3.8 Existing fence connections. Wherever the new fence joins an existing fence, either at a corner or at the intersection of straight fence lines, a corner or anchor post shall be set at the junction and braced and anchored the same as herein described for corner posts.

If the connection is made at other than the corner of the new fence, the last span of the old fence shall contain a brace span.

161-3.9 Cleaning up. The Contractor shall remove from the vicinity of the completed work all tools, buildings, equipment, etc., used during construction. All disturbed areas shall be seeded per T-901.

METHOD OF MEASUREMENT

161-4.1 Fences, Class C (Steel Posts), or Class D (Steel Posts), shall be measured in place from outside to outside of end posts or corner posts and shall be the length of fence actually constructed, except for the space occupied by the gates.

161-4.2 Vehicle gates and pedestrian gates shall be measured in units for each gate installed and accepted.

BASIS OF PAYMENT

161-5.1 Payment shall be made at the contract unit price per linear foot (meter) for Class C or Class D wire fence. This price shall be full compensation for furnishing all materials and for all preparation, erection, and installation of these materials, and for all labor, equipment, tools, and incidentals necessary to complete the item.

161-5.2 Payment will be made at the contract unit price per each for vehicle or for pedestrian gates. This price shall be full compensation for furnishing all materials and for all preparation, erection, and installation of these materials, and for all labor, equipment, tools, and incidentals necessary to complete the item.

Payment will be made under:

Item F-161-5.1a	Fence, Class C - per linear foot (m)
Item F-161-5.1b	Fence, Class D - per linear foot (m)
Item F-161-5.2a	Vehicle Gates - per each
Item F-161-5.2b	Pedestrian Gates - per each

MATERIAL REQUIREMENTS

ASTM A116	Standard Specification for Metallic-Coated, Steel Woven Wire Fence Fabric
ASTM A121	Standard Specification for Metallic-Coated Carbon Steel Barbed Wire
FAA-STD-019	Lightning and Surge Protection, Grounding, Bonding and Shielding Requirements for Facilities and Electronic Equipment

FED SPEC RR-F-191/Gen

Fencing, Wire, and Post Metal (and Gates, Chain-link Fence Fabric, and Accessories) (General Specification)

END OF ITEM F-161

Item F-162 Chain-Link Fence

DESCRIPTION

162-1.1 This item shall consist of furnishing and erecting a chain-link fence in accordance with these specifications, the details shown on the plans, and in conformity with the lines and grades shown on the plans or established by the Engineer.

MATERIALS

162-2.1 Fabric. [The fabric shall be woven with a 9-gauge [galvanized steel wire] [polyvinyl chloride (PVC)-coated steel] [aluminum alloy] [zinc-5% aluminum mischmetal] wire in a 2-inch (50 mm) mesh and shall meet the requirements of [___].] [The fabric shall be woven from a [___] gauge aluminum-coated steel wire in a 2-inch (50 mm) mesh and shall conform to the requirements of ASTM A491.]

Galvanized steel fabric shall conform to the requirements of ASTM A392, Class 2.

Polyvinyl chloride-coated steel shall conform to the requirements of ASTM F668, Class 2b.

Aluminum alloy fabric shall conform to the requirements of ASTM F1183.

Zinc-5% aluminum mischmetal alloy coated steel shall conform to the requirements of ASTM F1345, Class 2.

The Engineer shall specify 9 or 10 gauge aluminum-coated wire.

Metallic-coated fabric shall have a clear acrylic coating applied to the selvage area after weaving.

162-2.2 Barbed wire. Barbed wire shall be 2-strand 12-1/2 gauge [zinc-coated] [aluminum-coated] wire with 4-point barbs and shall conform to the requirements of [___].

Zinc-coated barbed wire shall conform to the requirements of ASTM A121, Class 3, Chain Link Fence Grade.

Aluminum-coated barbed wire shall conform to the requirements of ASTM A121, Class II.

162-2.3 Posts, rails, and braces. Line posts, rails, and braces shall conform to the requirements of ASTM F1043 or ASTM F1083 as follows:

Galvanized tubular steel pipe shall conform to the requirements of Group IA, (Schedule 40) coatings conforming to Type A, or Group IC (High Strength Pipe), External coating Type B, and internal coating Type B or D.

Roll Formed Steel Shapes (C-Sections) shall conform to the requirements of Group IIA, and be galvanized in accordance with the requirements of ASTM F1043, Type A.

Hot-Rolled Shapes (H Beams) shall meet the requirements of Group III, and be galvanized in accordance with the requirements of ASTM F1043, Type A.

Aluminum Pipe shall conform to the requirements of Group IB.

Aluminum Shapes shall conform to the requirements of Group IIB.

Vinyl or polyester coated steel shall conform to the requirements of ASTM F1043, Paragraph 7.3, Optional Supplemental Color Coating.

Composite posts shall conform to the strength requirements of ASTM F1043 or ASTM F1083. The strength loss of composite posts shall not exceed 10% when subjected to 3,600 hours of exposure to light and water in accordance with ASTM G152, ASTM G153, ASTM G154, and ASTM G155.

Posts, rails, and braces furnished for use in conjunction with aluminum alloy fabric shall be aluminum alloy or composite.

Posts, rails, and braces, with the exception of galvanized steel conforming to ASTM F1043 or ASTM F1083, Group 1A, Type A, or aluminum alloy, shall demonstrate the ability to withstand testing in salt spray in accordance with ASTM B117 as follows:

- External: 1,000 hours with a maximum of 5% red rust.
- Internal: 650 hours with a maximum of 5% red rust.

The dimensions of the posts, rails, and braces shall be in accordance with Tables I through VI of Federal Specification RR-F-191/3.

The Engineer shall select the appropriate requirements above and delete any not applicable to the project.

162-2.4 Gates. Gate frames shall consist of [galvanized steel pipe][polymer-coated steel pipe][aluminum alloy pipe][composite posts] and shall conform to the specifications for the same material under paragraph 162-2.3. The fabric shall be of the same type material as used in the fence.

162-2.5 Wire ties and tension wires. Wire ties for use in conjunction with a given type of fabric shall be of the same material and coating weight identified with the fabric type. Tension wire shall be 7-gauge marcelled steel wire with the same coating as the fabric type and shall conform to ASTM A824.

All material shall conform to Federal Specification RR-F-191/4.

162-2.6 Miscellaneous fittings and hardware. Miscellaneous steel fittings and hardware for use with [zinc-coated][aluminum-coated][zinc-5% aluminum-mischmetal alloy-coated] steel fabric shall be of commercial grade steel or better quality, wrought or cast as appropriate to the article, and sufficient in strength to provide a balanced design when used in conjunction with fabric posts, and wires of the quality specified herein. [All steel fittings and hardware shall be protected with a zinc coating applied in conformance with ASTM

A153.] [Miscellaneous aluminum fittings for use with aluminum alloy fabric shall be wrought or cast aluminum alloy.] Barbed wire support arms shall withstand a load of 250 pounds (113 kg) applied vertically to the outermost end of the arm.

162-2.7 Concrete. Concrete shall be of a commercial grade with a minimum 28-day compressive strength of 2500 psi (17 240 kPa).

162-2.8 Marking. Each roll of fabric shall carry a tag showing the kind of base metal (steel, aluminum, or aluminum alloy number), kind of coating, the gauge of the wire, the length of fencing in the roll, and the name of the manufacturer. Posts, wire, and other fittings shall be identified as to manufacturer, kind of base metal (steel, aluminum, or aluminum alloy number), and kind of coating.

CONSTRUCTION METHODS

162-3.1 Clearing fence line. All trees, brush, stumps, logs, and other debris which would interfere with the proper construction of the fence in the required location shall be removed a minimum width of 5 feet (1.5 m) on each side of the fence centerline before starting fencing operations. The cost of removing and disposing of the material shall not constitute a pay item and shall be considered incidental to fence construction.

162-3.2 Installing posts. All posts shall be set in concrete at the required dimension and depth and at the spacing shown on the plans.

Posts should be spaced not more than 10 feet (3 m) apart and should be set a minimum of 36 inches (90 cm) in concrete footings. If the frost depth is greater than 36 inches (90 cm), the posts should be set accordingly. The posts holes shall be in proper alignment so that there is a minimum of 3 inches (75 mm) of concrete on all sides of the posts.

The concrete shall be thoroughly compacted around the posts by tamping or vibrating and shall have a smooth finish slightly higher than the ground and sloped to drain away from the posts. All posts shall be set plumb and to the required grade and alignment. No materials shall be installed on the posts, nor shall the posts be disturbed in any manner within seven (7) days after the individual post footing is completed.

Should rock be encountered at a depth less than the planned footing depth, a hole 2 inches (50 mm) larger than the greatest dimension of the posts shall be drilled to a depth of 12 inches (300 mm). After the posts are set, the remainder of the drilled hole shall be filled with grout, composed of one part Portland cement and two parts mortar sand. Any remaining space above the rock shall be filled with concrete in the manner described above.

In lieu of drilling, the rock may be excavated to the required footing depth. No extra compensation shall be made for rock excavation.

162-3.3 Installing top rails. The top rail shall be continuous and shall pass through the post tops. The coupling used to join the top rail lengths shall allow for expansion.

162-3.4 Installing braces. Horizontal brace rails, with diagonal truss rods and turnbuckles, shall be installed at all terminal posts.

162-3.5 Installing fabric. The wire fabric shall be firmly attached to the posts and braced as shown on the plans. All wire shall be stretched taut and shall be installed to the required elevations. The fence shall

generally follow the contour of the ground, with the bottom of the fence fabric no less than one inch (25 mm) or more than 4 inches (100 mm) from the ground surface. Grading shall be performed where necessary to provide a neat appearance.

At locations of small natural swales or drainage ditches and where it is not practical to have the fence conform to the general contour of the ground surface, longer posts may be used and multiple strands of barbed wire stretched to span the opening below the fence. The vertical clearance between strands of barbed wire shall be 6 inches (150 mm) or less.

Openings below the fence may also be spanned with barbed wire fastened to stakes.

The Engineer shall specify if tension wire is to be installed.

162-3.6 Electrical grounds. Electrical grounds shall be constructed [where a power line passes over the fence][at 500 feet (150 m) intervals]. [The ground shall be installed directly below the point of crossing.] The ground shall be accomplished with a copper clad rod 8 feet (2.4 m) long and a minimum of 5/8 inches (16 mm) in diameter driven vertically until the top is 6 inches (150 mm) below the ground surface. A No. 6 solid copper conductor shall be clamped to the rod and to the fence in such a manner that each element of the fence is grounded. Installation of ground rods shall not constitute a pay item and shall be considered incidental to fence construction. The Contractor shall comply with FAA-STD-019, Lightning and Surge Protection, Grounding, Bonding and Shielding Requirements for Facilities and Electronic Equipment, Paragraph 4.2.3.8, Lightning Protection for Fences and Gates, when fencing is adjacent to FAA facilities.

The Engineer shall indicate the location of all electrical grounds on the plans.

Grounding may not be necessary with the use of composite posts.

162-3.7 Cleaning up. The Contractor shall remove from the vicinity of the completed work all tools, buildings, equipment, etc., used during construction. All disturbed areas shall be seeded per T-901.

METHOD OF MEASUREMENT

162-4.1 Chain-link fence will be measured for payment by the linear foot (meter). Measurement will be along the top of the fence from center to center of end posts, excluding the length occupied by gate openings.

162-4.2 Gates will be measured as complete units.

BASIS OF PAYMENT

162-5.1 Payment for chain-link fence will be made at the contract unit price per linear foot (meter).

162-5.2 Payment for vehicle or pedestrian gates will be made at the contract unit price for each gate.

The price shall be full compensation for furnishing all materials, and for all preparation, erection, and installation of these materials, and for all labor equipment, tools, and incidentals necessary to complete the item.

Payment will be made under:

Item F-162-5.1	Chain-Link Fence - per linear foot (meter)
Item F-162-5.2a	Vehicle Gates - per each
Item F-162-5.2b	Pedestrian Gates - per each

MATERIAL REQUIREMENTS

ASTM A121	Standard Specification for Metallic-Coated Carbon Steel Barbed Wire
ASTM A123	Standard Specification for Zinc (Hot Dip Galvanized) Coatings on Iron and Steel Products
ASTM A153	Standard Specification for Zinc Coating (Hot-Dip) on Iron and Steel Hardware
ASTM A392	Standard Specification for Zinc-Coated Steel Chain-Link Fence Fabric
ASTM A491	Standard Specification for Aluminum-Coated Steel Chain-Link Fence Fabric
ASTM A572	Standard Specification for High-Strength Low-Alloy Columbium-Vanadium Structural Steel
ASTM A653	Standard Specification for Steel Sheet, Zinc-Coated (Galvanized) or Zinc-Iron Alloy-Coated (Galvannealed) by the Hot-Dip Process
ASTM A824	Standard Specification for Metallic-Coated Steel Marcellled Tension Wire for Use With Chain Link Fence
ASTM A1011	Standard Specification for Steel, Sheet and Strip, Hot-Rolled, Carbon, Structural, High-Strength Low-Alloy, High Strength Low Alloy with Improved Formability, and Ultra High Strength
ASTM B117	Standard Practice for Operating Salt Spray (Fog) Apparatus
ASTM B221	Standard Specification for Aluminum and Aluminum Alloy Extruded Bars, Rods, Wire, Profiles and Tubes
ASTM B429	Standard Specification for Aluminum-Alloy Extruded Structural Pipe and Tube
ASTM F668	Standard Specification for Polyvinyl Chloride(PVC), Polyolefin and other Organic Polymer Coated Steel Chain-Link Fence Fabric
ASTM F1043	Standard Specification for Strength and Protective Coatings on Steel Industrial Fence Framework
ASTM F1083	Standard Specification for Pipe, Steel, Hot-Dipped Zinc-Coated (Galvanized) Welded, for Fence Structures
ASTM F1183	Standard Specification for Aluminum Alloy Chain Link Fence Fabric
ASTM F1345	Standard Specification for Zinc 5% Aluminum-Mischmetal Alloy Coated Steel Chain-Link Fence Fabric
ASTM G152	Standard Practice for Operating Open Flame Carbon Arc Light Apparatus for Exposure of Nonmetallic Materials

ASTM G153	Standard Practice for Operating Enclosed Carbon Arc Light Apparatus for Exposure of Nonmetallic Materials
ASTM G154	Standard Practice for Operating Fluorescent Ultraviolet (UV) Lamp Apparatus for Exposure of Nonmetallic Materials
ASTM G155	Standard Practice for Operating Xenon Arc Light Apparatus for Exposure of Nonmetallic Materials
FED SPEC RR-F-191/3	Fencing, Wire and Post, Metal (Chain-Link Fence Posts, Top Rails and Braces)
FED SPEC RR-F-191/4	Fencing, Wire and Post, Metal (Chain-Link Fence Accessories)
FAA-STD-019	Lightning and Surge Protection, Grounding, Bonding and Shielding Requirements for Facilities and Electronic Equipment

END OF ITEM F-162

Item F-163 Wildlife Deterrent Fence Skirt

DESCRIPTION

163-1.1 This item shall consist of furnishing and installing chain-link fence fabric underground along an existing chain link fence, constructing concrete pads at existing fence gates in accordance with these specifications and the details shown on the drawings and in conformity with the lines and grades shown on the plans or established by the Engineer.

MATERIALS

163-2.1 Chain link fence fabric. The fabric shall be woven with a 9-gauge galvanized steel wire in a 2 inch (50 mm) mesh and shall meet the requirements of ASTM A392, Class II. The fabric shall be 5 feet (1.5 m) wide.

163-2.2 Barbed wire. Barbed wire shall be 2-strand 12-1/2 gauge zinc-coated wire with 4-point barbs and shall conform to the requirements of ASTM A121, Class 3.

163-2.3 Wire ties and tension wires. Wire fabric ties, wire ties, and tension wire for a given type of fabric shall be the same material as the fabric type. The tension wire shall be 7-gauge coiled spring wire coated similarly to the respective wire fabric being used.

Wire fabric ties shall be hog rings of galvanized steel wire not less than 9-gauge.

All material shall conform to Federal Specification RR-F-191/4.

163-2.4 Miscellaneous fittings and hardware. Miscellaneous steel fittings and hardware for use with zinc-coated steel fabric shall be of commercial grade steel or better quality, wrought or cast as appropriate to the fitting or hardware, and sufficient in strength to provide a balanced design when used with fabric, posts, and wires of the specified quality. All steel fittings and hardware shall be protected with a zinc coating applied in conformance with ASTM A153.

163-2.5 Concrete pads at gates. Concrete shall be of a commercial grade with a minimum 28-day compressive strength of 3,000 psi (2670 kg).

163-2.6 Marking. Each roll of fabric shall carry a tag showing the kind of base metal, kind of coating, the gauge of the wire, the length of fencing in the roll, and the name of the manufacturer. Posts, wire, and other fittings shall be identified as to manufacturer, kind of base metal, and kind of coating.

163-2.7 Weed control material. A commercially available weed control material shall be applied at the manufacturer's recommended rate.

CONSTRUCTION METHODS

163-3.1 Clearing fence line. All brush, stumps, logs, and other debris which would interfere with the construction of the fence shall be removed a minimum width of 10 feet (3 m) on either side of the fence centerline before starting fencing operations. The material removed and disposed of shall not constitute a pay item and shall be considered incidental to fence construction.

163-3.2 Installing fabric. Excavate ground to the depth required for proper installation of the fabric. Obtain Engineer's approval of depth of excavation before placing the wire fabric. Place the fabric and lap

splice it to existing fence fabric and tie with wire ties at 2-foot (0.6-m) spacing. Cut wire fabric around fence post footing to allow proper placement. Backfill with native soil to original grade and compact. Gate concrete pads shall be installed at each gate or as shown on the plans.

163-3.3 Weed control application. Weed control material shall be applied over an area 5 feet (1.5 m) wide, measured from the fence centerline, and over the wildlife fence. Apply weed control material as recommended by the manufacturer's instructions and in compliance with state and local regulations.

163-3.4 Cleaning up. The Contractor shall remove from the vicinity of the completed work all tools, buildings, equipment, etc., used during construction. All disturbed areas shall be seeded per Item T-901.

[**163-3.5 Standard detail examples.** The following drawings (Figure 1) are examples of details for a wildlife deterrent fence. The fence type and dimensions shown will vary according to specific project design requirements.]

The Engineer should delete Paragraph 163-3.5, Standard Detail Examples, and the example drawings (Figure 1) and incorporate appropriate/applicable design details on the project plans.

METHOD OF MEASUREMENT

163-4.1 Chain link fence fabric. Chain-link fence fabric shall be measured for payment by the linear foot to the nearest foot. Measurement shall be along the fence from center to center of end or corner posts, excluding the length occupied by gate openings.

163-4.2 Concrete pads at gates. Concrete pads at gates shall be measured by the unit.

163-4.3 Borrow fill material. Borrow material for fill will be furnished by the Contractor. This shall be measured by the cubic yard in place.

163-4.4 Weed control application. Shall be measured by the linear foot.

BASIS OF PAYMENT

163-5.1 Chain link fence fabric. Payment for chain-link fence fabric shall be made at the contract unit price per linear foot. This price shall be full compensation for furnishing materials, all labor (including preparation, excavation, backfill, fill, and installation), equipment, tools, and incidentals necessary to complete this item. Utility locates shall be included in this pay item.

163-5.2 Concrete pads at gates. Payment for concrete pads at gates shall be made at the contract unit price for each pad. This price shall be full compensation for furnishing materials, all labor (including preparation, excavation, backfill, placement of concrete, reinforcing steel, and forms), equipment, tools, and incidentals necessary to complete this item.

163-5.3 Borrow fill material. Payment for the loading, transporting, and placing of borrow material shall be made at the contract unit price per cubic yard. This price shall be full compensation for furnishing all labor (including placement, compaction, and grading), equipment, tools, and incidentals necessary to complete this item.

163-5.4 Weed control application. Payment for weed control application shall be made at the contract unit price per linear foot. This price shall be full compensation for furnishing materials, all labor, equipment, tools, and incidentals necessary to complete this item.

Payment will be made under:

Item F-163-5.1	Chain link Fence Fabric per linear foot
Item F-163-5.2	Concrete Pads at Gates, each
Item F-163-5.3	Borrow Fill Material per cubic yard (m ³)
Item F-163-4.4	Weed control application

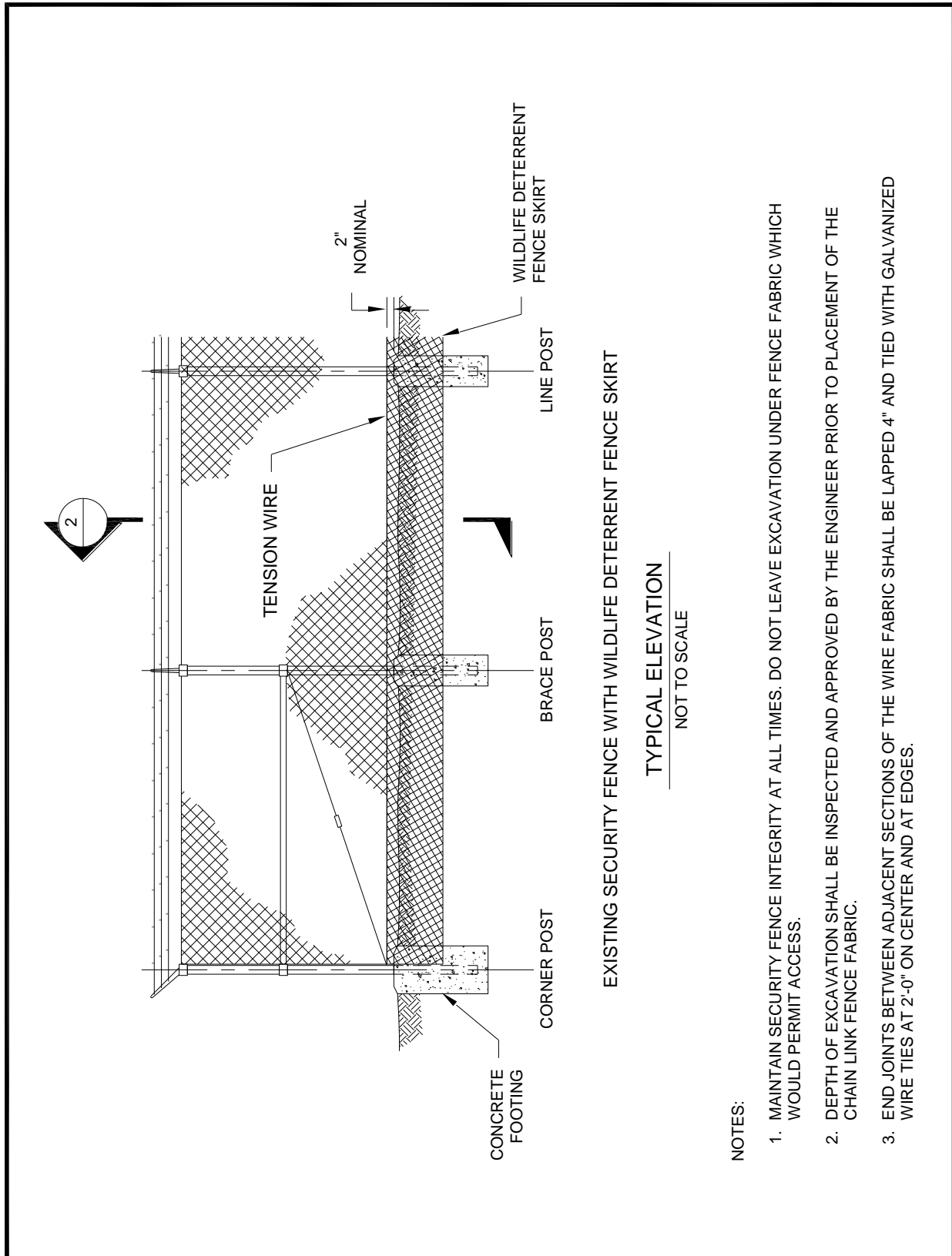


Figure 1. Example of wildlife deterrent fence skirt details

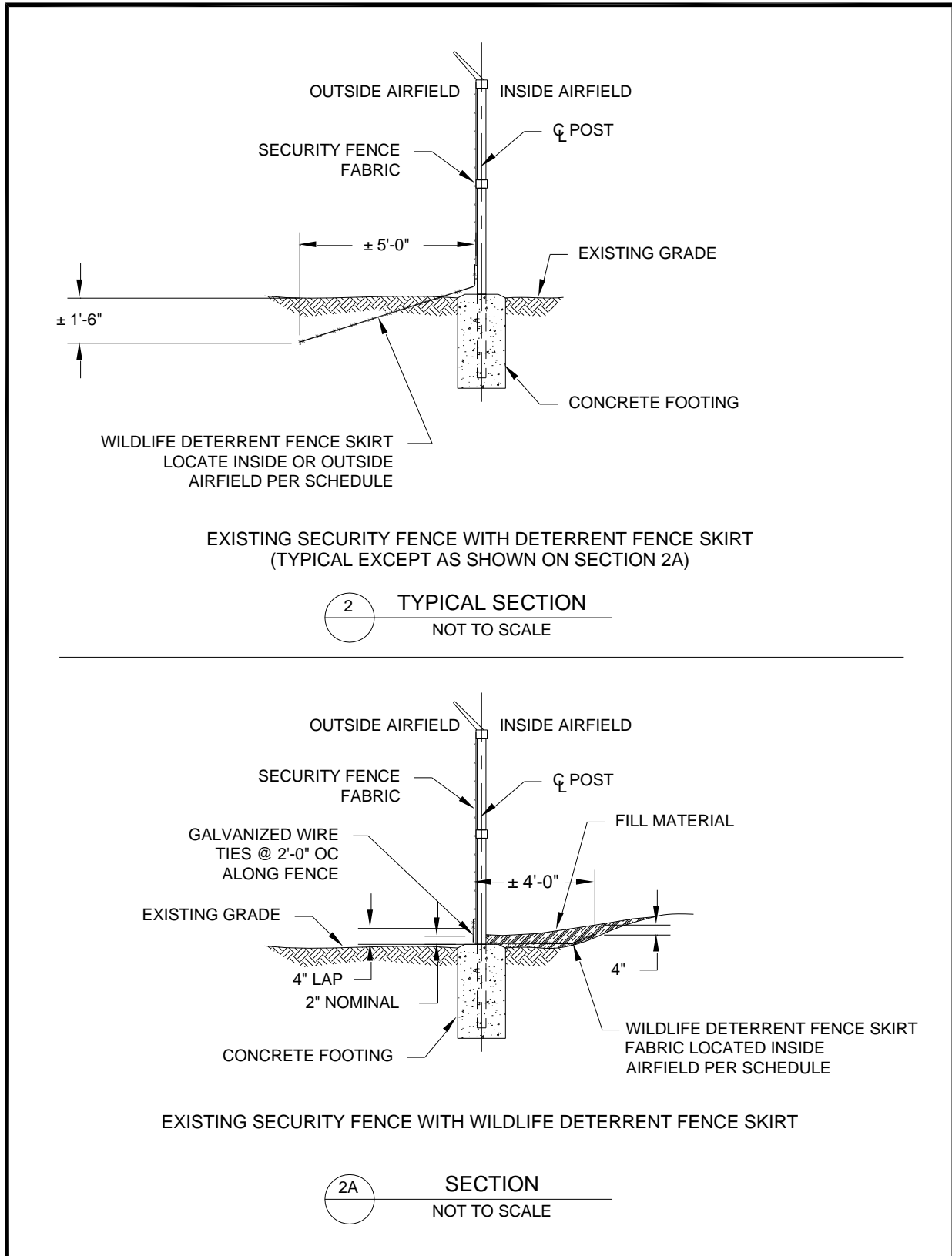


Figure 1. Example wildlife deterrent fence skirt details (continued)

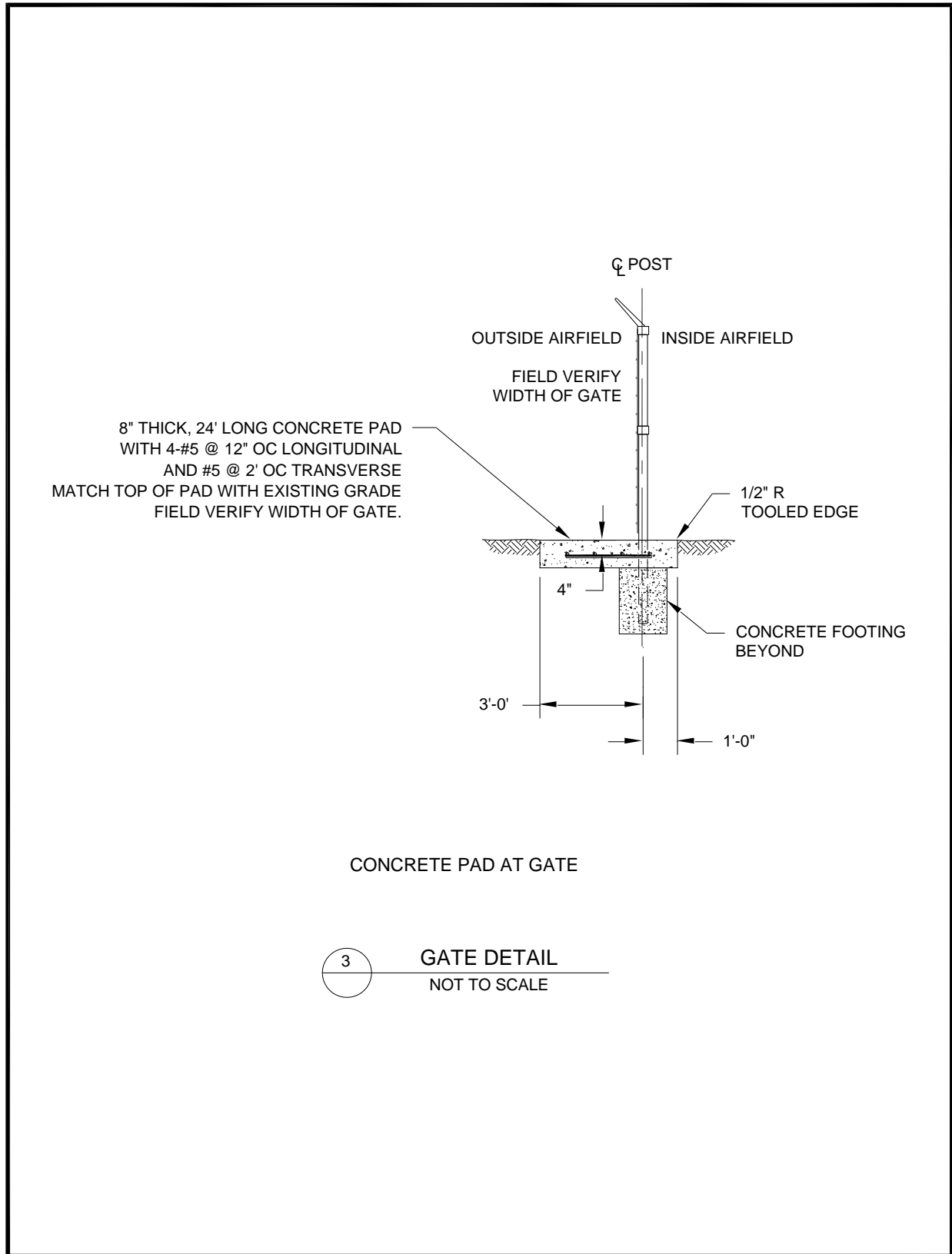


Figure 1. Example wildlife deterrent fence skirt details (continued)

MATERIAL REQUIREMENTS

ASTM A121	Standard Specification for Metallic-Coated Carbon Steel Barbed Wire
ASTM A123	Standard Specification for Zinc (Hot-Dip Galvanized) Coatings on Iron and Steel Products
ASTM A153	Standard Specification for Zinc Coating (Hot-Dip) on Iron and Steel Hardware
ASTM A392	Standard Specification for Zinc-Coated Steel Chain-Link Fence Fabric
ASTM A572	Standard Specification for High Strength Low Alloy Columbium Vanadium Structural Steel
ASTM A1011	Standard Specification for Steel, Sheet and Strip, Hot-Rolled, Carbon, Structural, High-Strength Low-Alloy, High-Strength Low-Alloy with Improved Formability, and Ultra-High Strength
ASTM F1043	Standard Specification for Strength and Protective Coatings on Steel Industrial Fence Framework
ASTM F1083	Standard Specification for Pipe, Steel, Hot Dipped Zinc-Coated (Galvanized) Welded, for Fence Structures
ASTM D698	Standard Test Methods for Laboratory Compaction Characteristics of Soil Using Standard Effort (12,400 ft-lbf/ft ³ (600 kN-m/m ³))
FED SPEC RR-F-191/3	Fencing, Wire and Post, Metal (Chain-Link Fence Posts, Top Rails and Braces)
FED SPEC RR-F-191/4	Fencing, Wire and Post, Metal (Chain-Link Fence Accessories)

END OF ITEM F-163

Intentionally Left Blank

Item F-164 Wildlife Exclusion Fence

Wildlife exclusion fence locations will be determined from a wildlife hazard assessment for the airport.

DESCRIPTION

164-1.1 This item covers the requirements for furnishing materials and constructing new wire wildlife exclusion fences and gates with wood posts; furnishing and installing chain-link fence fabric underground along the wire fence line; and constructing concrete pads at fence gates in accordance with the details included here and as shown on the plans. The fence to be erected shall be [woven wire] [chain-link] fencing topped by three strands of barbed wire, as indicated on the plans and in the bid proposal.

MATERIALS

[**164-2.0 Wire.**

a. Woven wire (zinc-coated). The woven wire fence shall be 23-bar, 120 inch (3 m) field fence with top and bottom wires No. 12-1/2 gauge, and filler and stay wires No. 12-1/2 gauge. Stay wires shall be spaced 6 inches (150 mm) apart. All wires shall be smooth galvanized steel wire, conforming to ASTM A116. All wires shall be twice-dipped and shall be spaced as shown on the plans.

b. Chain-Link fence Fabric. [The fabric shall be woven with a 9-gauge [galvanized steel wire] [polyvinyl chloride (PVC)-coated steel] [aluminum alloy] [zinc-5% aluminum mischmetal wire in a 2-inch (50 mm) mesh and shall meet the requirements of [__].]

[The fabric shall be woven from a [__] gauge aluminum-coated steel wire in a 2-inch (50-mm) mesh and shall conform to the requirements of ASTM A491.]]

Galvanized steel fabric shall conform to the requirements of ASTM A392, Class 2.

Polyvinyl chloride-coated steel shall conform to the requirements of ASTM F668, Class 2b.

Aluminum alloy fabric shall conform to the requirements of ASTM F1183.

Zinc-5% aluminum mischmetal alloy coated steel shall conform to the requirements of ASTM F1345, Class 2.

The Engineer shall specify 9 or 10 gauge aluminum-coated steel wire.

Metallic-coated fabric shall have a clear acrylic coating applied to the selvage area after weaving.

c. Chain link skirt fabric. The fabric shall be woven with a 9-gauge galvanized steel wire in a 2-inch (50-mm) mesh and shall meet the requirements of ASTM A392, Class II. The fabric shall be 5 feet (1.5 m) wide.

d. Barbed wire (zinc-coated). Zinc-coated barbed wire shall be 2-strand twisted No. 12-1/2 gauge galvanized steel wire with 4-point barbs of No. 14 gauge galvanized steel wire. All wire shall conform to ASTM A121, Type A. The barbs shall be spaced approximately 5 inches (125 mm) apart.

e. Wire ties and tension wires. Wire fabric ties, wire ties, and tension wire for a given type of fabric shall be the same material as the fabric type. The tension wire shall be 7-gauge coiled spring wire coated similarly to the respective wire fabric being used. Wire fabric ties shall be hog rings of galvanized steel wire not less than 9-gauge. All material shall conform to Federal Specification RR-F-191/4.

f. Bracing wire (zinc-coated). Wire used for cable for bracing shall be No. 9 smooth galvanized soft wire.

164-2.1 Gates and hardware. Gates shall be constructed of galvanized steel tubing conforming to Federal Specification RR-F-191 and shall be the size shown on the plans. Heavily galvanized hinges and latches for wood posts shall be furnished with each gate. Either a bolt or lag screw hinge shall be used, and either a wing or butterfly latch shall be furnished.

164-2.2 Miscellaneous fittings and hardware. Miscellaneous steel fittings and hardware for use with zinc-coated steel fabric shall be of commercial grade steel or better quality, wrought or cast as appropriate to the fitting or hardware, and sufficient in strength to provide a balanced design when used with fabric, posts, and wires of the specified quality. All steel fittings and hardware shall be protected with a zinc coating applied in conformance with ASTM A153.

[**164-2.3 Wood posts.**

a. Species. All posts shall be one of the following species of wood, unless otherwise noted in the proposal.

Group I	Group II
Cedar	Douglas-fir
Chestnut	Gum, Red
Cypress, Southern	Larch, Western
Locust, Black	Pine, Southern Yellow
Osage-orange	Pine, Lodgepole
Redwood	Tamarack
Yew, Pacific	Ash
Honey locust	Maple, Sugar
Oak, White	Oak, Red
Mulberry	Spruce
Live Oak	

Posts of Group I may be used untreated, provided at least 75% of the wood is heartwood. Posts of less than 75% heartwood of Group I shall be given a preservative treatment for the part of the post that will have contact with the ground line in accordance with the method specified under subparagraph 164-2.3e(1) butt treatment below. Posts of Group II shall be given a preservative treatment in accordance with the method specified under subparagraph 164-2.3e(2) full length treatment below.

b. Quality. Posts shall be peeled, sound, straight-grained, free from decay, cracks, and splits. Shakes shall not be in excess of 1/4 inch (6 mm) wide and 3 feet (1 m) long. Checks (lengthwise separations of the wood in a generally radial direction) are permitted, provided they are not harmful.

c. Dimensions. All posts shall be the length shown on the plans. Posts shall have the minimum top diameters shown on the plans or as specified. Sawn and split posts are acceptable instead of round posts if the required diameter round posts could be turned from the sawn/split posts.

d. Manufacture. Outer bark shall be completely removed from all posts including depressions. Inner bark shall be removed from all post surfaces to be treated, except inner bark may remain in depressions. The amount of wood shaved off in the removal of inner bark shall be held to a minimum.

e. Treatment. Posts shall be conditioned by air seasoning, steaming, or heating in oil in a manner that prevents injurious checking, splitting, or warping before treating. All timber shall be thoroughly seasoned and dry (22% maximum moisture content) before applying preservative treatment. The treatment, care and preservative shall be with waterborne preservatives in accordance with American Wood Preservers Association (AWPA) Standard U1, Use Category 4 (UC4).]

164-2.4 Braces. Cleats, gate stops, and braces shall be of the size shown on the plans. They shall be of the same species and quality specified for the posts or approved by the Engineer, and they shall be free from knots larger than one-third the width of the piece. Gate stops shall be made of posts of suitable length. Braces may be made of posts of suitable length or of sawed lumber. All cleats, gate stops, and any braces in contact with the ground and for a distance of at least 6 inches (150 mm) above the ground shall be treated by the hot and cold bath process, specified herein for posts. The wire used in cable for bracing shall conform to paragraph 164-2(e).

[**164-2.5 Steel posts, rails, and braces.** Line posts, rails, and braces shall conform to the requirements of ASTM F1043 or ASTM F1083 as follows:

Galvanized tubular steel pipe shall conform to the requirements of Group IA, (Schedule 40) coatings conforming to Type A, or Group IC (High Strength Pipe), External coating Type B, and internal coating Type B or D.

Roll Formed Steel Shapes (C-Sections) shall conform to the requirements of Group IIA, and be galvanized in accordance with the requirements of ASTM F1043, Type A.

Hot-Rolled Shapes (H Beams) shall meet the requirements of Group III, and be galvanized in accordance with the requirements of ASTM F1043, Type A.

Aluminum Pipe shall conform to the requirements of Group IB.

Aluminum Shapes shall conform to the requirements of Group IIB.

Vinyl or polyester coated steel shall conform to the requirements of ASTM F1043, Paragraph 7.3, Optional Supplemental Color Coating.

Composite posts shall conform to the strength requirements of ASTM F1043 or ASTM F1083. The strength loss of composite posts shall not exceed 10% when subjected to 3,600 hours of exposure to light and water in accordance with ASTM G152, ASTM G153, ASTM G154, and ASTM G155.

Posts, rails, and braces furnished for use in conjunction with aluminum alloy fabric shall be aluminum alloy or composite.

Posts, rails, and braces, with the exception of galvanized steel conforming to ASTM F1043 or ASTM F1083, Group 1A, Type A, or aluminum alloy, shall demonstrate the ability to withstand testing in salt spray in accordance with ASTM B117 as follows:

- External: 1,000 hours with a maximum of 5% red rust.
- Internal: 650 hours with a maximum of 5% red rust.

The dimensions of the posts, rails, and braces shall be in accordance with Tables I through VI of Federal Specification RR-F-191/3.]

The Engineer must select the appropriate fence materials based on the wildlife hazard assessment for the airport.

164-2.6 Staples. The staples shall be No. 9 galvanized steel wire, one inch (25 mm) long for hardwood posts and 1-1/2 inch (38 mm) long for use in softwood posts.

164-2.7 Concrete pads at gates. Concrete shall be of a commercial grade with a minimum 28-day compressive strength of 2500 psi.

164-2.8 Weed control material. A commercially available weed control material shall be applied at the manufacturer's recommended rate.

CONSTRUCTION METHODS

164-3.1 General. The fence shall be constructed in accordance with the details on the plans using new materials. All work shall be performed in a workmanlike manner, satisfactory to the Engineer. Before beginning the work, or at the request of the Contractor, the Engineer shall establish and mark the property line or fence line for the work. The Contractor shall span the opening below the fence with barbed wire at all locations where it is not practical to conform the fence to the general contour of the ground surface because of natural or manmade features such as drainage ditches. The new fence shall be permanently tied to the terminals of existing fences whenever required by the Engineer. The finished fence shall be

plumb, taut, true to line and ground contour, and complete in every detail. When shown on the plans or directed by the Engineer, the Contractor shall stake down the woven wire fence at several points between posts. The Contractor shall arrange the work so construction of the new fence immediately follows the removal of existing fences. The length of unfenced section at any time shall not exceed 300 feet (90 m). The work shall progress in this manner, and at the close of the working day, the newly constructed fence shall be tied to the unremoved existing fence.

164-3.2 Clearing fence line. The site of the fence shall be sufficiently clear of obstructions, and surface irregularities. The fence line shall be graded so that the fence will conform to the general contour of the ground. The fence line shall be cleared to a minimum width of 10 feet (3 m) on each side of the centerline of the fence. This clearing shall consist of the removal of all stumps, brush, rocks, trees, or other obstructions that will interfere with proper construction of the fence. Stumps within the cleared area of the fence line shall be grubbed or excavated. The bottom of the fence shall be placed a uniform distance above ground as specified in the plans. When shown on the plans or as directed by the Engineer, the existing fences which interfere with the new fence location shall be removed by the Contractor as part of the construction work, unless removal is listed as a separate item in the bid schedule. All holes remaining after post and stump removal shall be refilled with suitable soil, gravel, or other suitable material and shall be compacted with tampers.

The work shall include the handling and disposal of all material cleared, of excess excavation and the removal of spoiled material regardless of the type, character, composition, or condition of such material encountered.

164-3.3 Setting posts. [Wood posts shall be set with large ends down, plumb, and in a straight line on the side on which the wire is to be fastened. Posts shall be set full depth and shall not be cut off to eliminate rock or other excavation. Where rock is encountered, it shall be removed, to provide full-depth and full-size holes. The bottom of all posts shall be cut off square. The diameter of the holes shall be at least 6 inches (150 mm) larger than the diameter of the posts. When cleats are used on posts, the holes shall be dug large enough to accommodate the cleat.] [Steel posts shall be spaced as shown on the plans. Corner, brace, anchor, end, and gate posts shall be set in concrete bases as shown on the plans. The top of the base concrete shall be slightly above the ground surface, trowel finished, and sloped to drain. Post holes of full depth and size for the concrete bases for posts shall be provided. All line posts may be either driven or set in dug holes to a penetration depth of 3 feet (90 cm). All post setting shall be done carefully and to true alignment. Dirt removed for placing posts, anchor bars, flanges, etc., shall be replaced, tamped, and leveled. When posts are driven, care shall be exercised to prevent marring or buckling of the posts. Damaged posts shall be replaced at the Contractor's expense.] After posts are placed and lined, the holes shall be backfilled [with suitable material that shall be properly compacted by the use of tampers] [with concrete]. The posts adjacent to end, corner, anchor, and gate posts shall be set and braced with braces and wire, as shown on the plans. No extra compensation shall be made for rock excavation.

164-3.4 Anchoring. Corner, end, gate, and adjacent intermediate posts shall be anchored, by gaining and spiking cleats to the sides of the posts, as indicated on the plans. No cleats will be required on other intermediate posts or on anchor posts.

164-3.5 Bracing. End, corner, anchor, and gate posts shall be braced by using a post of sufficient length or a piece of sawed lumber of the proper size, together with a wire cable. The wooden brace shall be gained and securely spiked into the end, corner, anchor, or gate posts and into the next intermediate posts about 6 inches (150 mm) from the top of the respective posts. A cable made of a double strand of galvanized soft wire shall be looped around the end, corner, anchor, or gate post near the ground and around the next intermediate post about 12 inches (300 mm) from the top. After the cable has been stapled in this position, it shall be twisted until tight. The staples used to hold the cable shall be not less than 1-1/2 inches (38 mm) long. The tool used for twisting the cable shall be left in place to permit later adjustment of bracing if found necessary. Anchor posts shall be set at approximately 500 feet (150 m) intervals and braced to the adjacent posts. Posts shall be braced before the wire fencing is placed.

164-3.6 Installing wire. The wire shall be placed on the side of the posts away from the airport or as directed. The wire fence shall be placed on the posts at the height indicated on the plans. Longitudinal wires shall be installed parallel and drawn uniformly taut. The vertical stay wires of the woven wire fencing shall be straight and vertical. At end and gate posts the woven wire and barbed wire shall be wrapped once around the post; each longitudinal wire shall be stapled at least three times and the ends of these wires shall be tied with a snug, tight twist. Each longitudinal wire shall be stapled to each intermediate post with one steel wire staple; at the corner and anchor posts, two or more staples shall be used. The top strands of barbed wire of all fences shall be stapled with two staples in each post. All staples shall be set diagonally with the grain of the wood and driven up tight. After the fence has been erected, the tops of the wood posts shall be sawed off with a 1-to-3 pitch. The bottom wire of the wire fencing shall clear the ground by not more than 2 inches (50 mm) or less than one inch (25 mm) at any place.

164-3.7 Splicing wire. Wire splices in longitudinal wires will be permitted if made with an approved galvanized bolt-clamp splice or a wire splice made as follows: the end of the wires shall be carried 3 inches (75 mm) past the splice tool and wrapped around the other wire away from the tool for at least six turns in opposite directions. After the tool is removed, the space occupied by it shall be closed by pulling the ends together. The unused ends of the wires shall be cut close to make a neat, workmanlike job. Woven wire shall be spliced only at posts.

164-3.8 Installing chain-link skirt fabric. Excavate trench to the depth required for proper installation of the chain-link fabric. Obtain Engineer's approval of depth of excavation before placing the wire fabric. Place the fabric and lap splice it to existing fence fabric and tie with wire ties at 2-foot (0.6-m) spacing. Cut wire fabric around fence post footing to allow proper placement. Backfill with native soil to original grade.

164-3.9 Installing gates. Gates shall be hung on gate fittings, as shown on the plans. Fittings on the gate posts shall be clamped, screwed, or bolted to prevent slipping. Gates shall be erected to swing in the direction indicated and shall be provided with gate stops, as specified or as shown on the plans. Gates shall be erected at locations shown on the plans. Gate concrete pads shall be installed at each gate or as shown on the plans.

164-3.10 Existing fence connections. Wherever the new fence joins an existing fence, either at a corner or at the intersection of straight fence lines, a corner or anchor post shall be set at the junction and braced and anchored the same as described for corner posts. If the connection is made at other than the corner of the new fence, the last span of the old fence shall contain a brace span.

164-3.11 Electrical grounds. Electrical grounds shall be constructed [where a power line passes over the fence] [at 500 feet (150 m) intervals]. [The ground shall be installed directly below the point of crossing.] The ground shall be accomplished with a copper clad rod 8 feet (2.4 m) long and a minimum of 5/8 inches (16 mm) in diameter driven vertically until the top is 6 inches (150 mm) below the ground surface. A No. 6 solid

copper conductor shall be clamped to the rod and to the fence in such a manner that each element of the fence is grounded. Installation of ground rods shall not constitute a pay item and shall be considered incidental to fence construction. The Contractor shall comply with FAA-STD-019, Lightning and Surge Protection, Grounding, Bonding and Shielding Requirements for Facilities and Electronic Equipment, Paragraph 4.2.3.8, Lightning Protection for Fences and Gates when fencing is adjacent to FAA facilities.

**The Engineer shall indicate the location of all electrical grounds on the plans.
Grounding may not be necessary with the use of composite posts.**

164-3.12 Weed control application. Weed control material shall be applied over an area 5 feet (1.5 m) wide, measured from the fence centerline, and over the chain link wildlife fence. Apply weed control material as recommended by the manufacturer’s instructions and in compliance with state and local regulations.

164-3.13 Cleaning up. The Contractor shall remove from the vicinity of the completed work all tools, buildings, equipment, etc., used during construction. All disturbed areas shall be seeded per Item T-901.

[**164-3.14 Standard Detail Examples.** The following drawings (Figure 1) are examples of details for a wildlife exclusion fence. The fence type and dimensions shown will vary according to specific project design requirements.]

The Engineer should delete paragraph 164-3.14, Standard Detail Examples, and the example drawings (Figure 1) and incorporate appropriate/applicable design details on the project plans.

METHOD OF MEASUREMENT

164-4.1 Fence. Fence shall be measured in place from outside to outside of end posts or corner posts and shall be the length of fence actually constructed, except for the space occupied by the gates.

164-4.2 Chain link fence skirt fabric. Chain-link fence fabric shall be measured for payment by the linear foot (m) to the nearest foot (meter). Measurement shall be along the fence from center to center of end or corner posts, excluding the length occupied by gate openings.

164-4.3 Vehicle gates and pedestrian gates. Vehicle gates and pedestrian gates shall be measured in units for each gate installed and accepted.

164-4.4 Concrete gate pad. Concrete gate pads shall be measured by the unit.

164-4.5 Weed control application. Shall be measured by the linear foot.

BASIS OF PAYMENT

164-5.1 Fence. Payment will be made at the contract unit price per linear foot (meter) for wire [chain-link] fence. This price shall be full compensation for furnishing all materials and for

preparation, erection, and installation of these materials, and for all labor, equipment, tools and incidentals necessary to complete the item.

164-5.2 Chain link fence skirt fabric. Payment for chain-link fence fabric shall be made at the contract unit price per linear foot. This price shall be full compensation for furnishing materials, all labor (including preparation, excavation, backfill, fill, and installation), equipment, tools, and incidentals necessary to complete this item. Utility locates shall be included in this pay item.

164-5.3 Vehicle gates and pedestrian gates. Payment will be made at the contract unit price per each for driveway or for walkway gates. This price shall be full compensation for furnishing all materials and for all preparation, erection, and installation of these materials and for all labor, equipment, tools, and necessary incidentals to complete the item.

164-5.4 Concrete gate pad. Payment for concrete pads at gates shall be made at the contract unit price for each pad. This price shall be full compensation for furnishing materials, all labor (including preparation, excavation, backfill, placement of concrete, reinforcing steel, and forms), equipment, tools, and incidentals necessary to complete this item.

164-5.5 Weed control application. Payment for weed control application shall be made at the contract unit price per linear foot. This price shall be full compensation for furnishing materials, all labor, equipment, tools, and incidentals necessary to complete this item.

Payment will be made under:

Item F-164-5.1	Fence per linear foot (m)
Item F-164-5.2	Chain link Fence Fabric per linear feet (m)
Item F-164-5.3a	Vehicle gate, each
Item F-164-5.3b	Pedestrian gate, each
Item F-164-5.4	Concrete Gate Pad, each
Item F-164-5.5	Weed Control, per linear foot

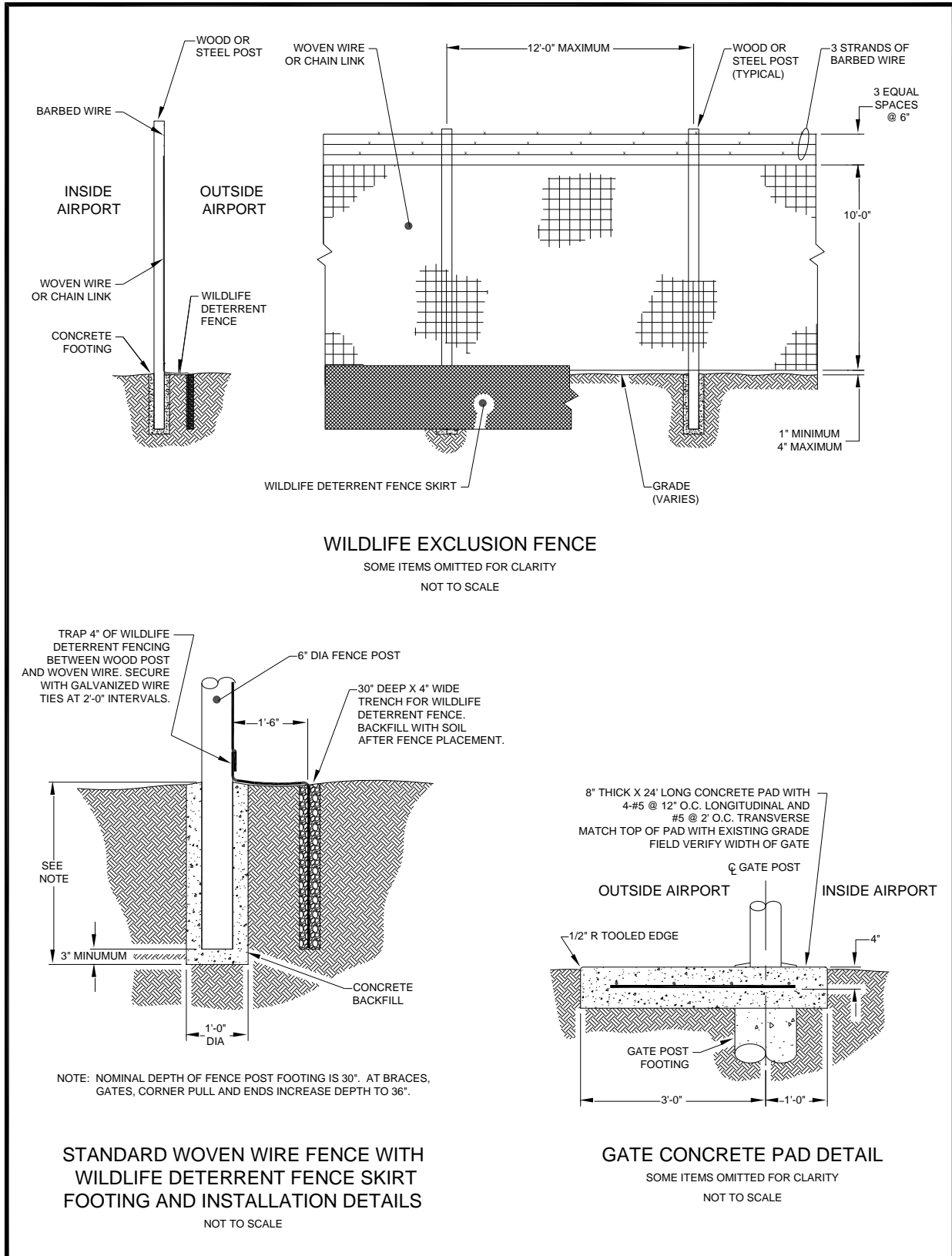


Figure 1. Example of wildlife exclusion fence details

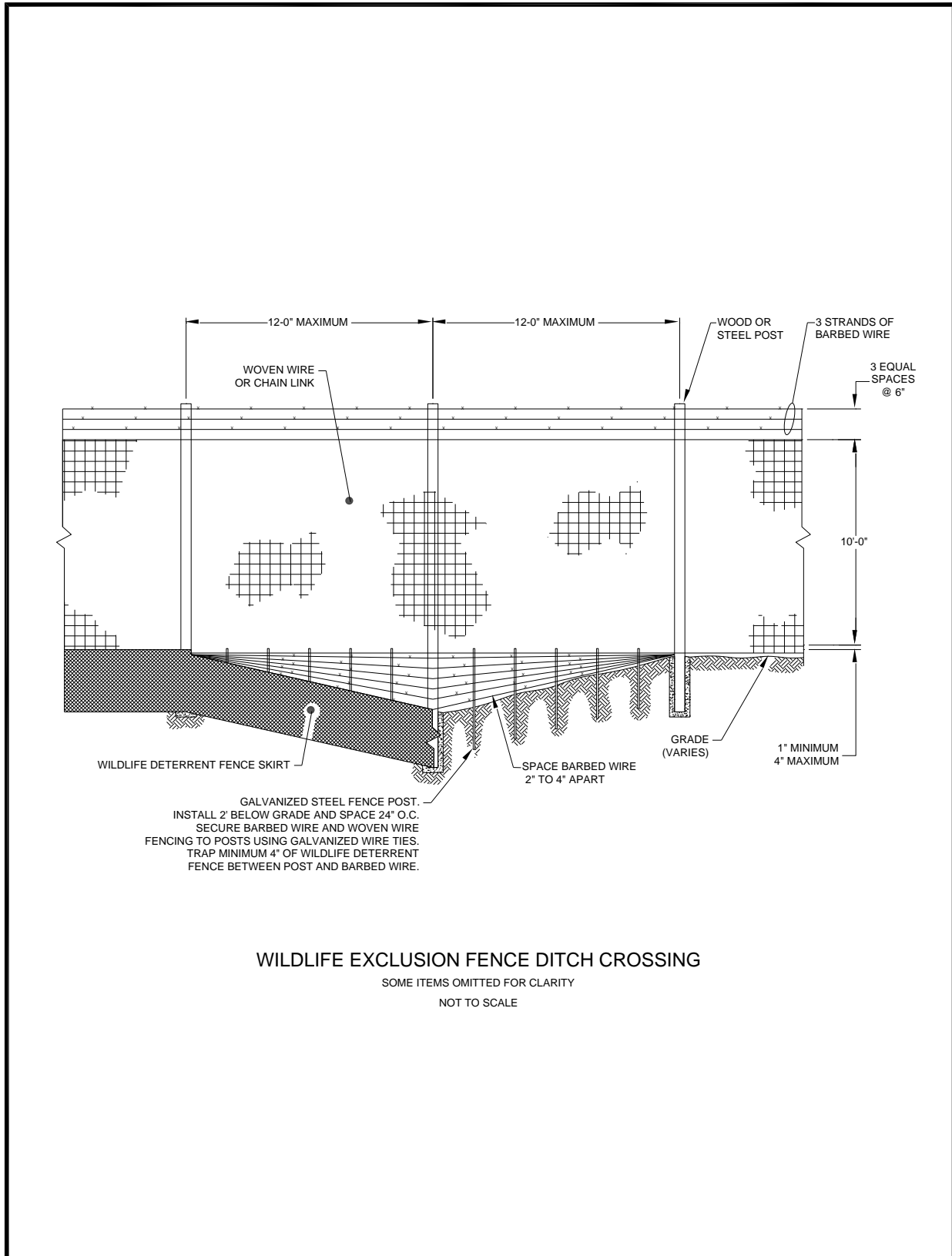


Figure 2. Example of wildlife exclusion fence ditch crossing

MATERIAL REQUIREMENTS

ASTM A116	Standard Specification for Metallic-Coated, Steel Woven Wire Fence Fabric
ASTM A121	Standard Specification for Metallic-Coated Carbon Steel Barbed Wire
ASTM A153	Standard Specification for Zinc Coating (Hot-Dip) on Iron and Steel Hardware
ASTM A392	Standard Specification for Zinc-Coated Steel Chain-Link Fence Fabric
ASTM F668	Standard Specification for Polyvinyl Chloride(PVC), Polyolefin and other Organic Polymer Coated Steel Chain-Link Fence Fabric
ASTM F1043	Standard Specification for Strength and Protective Coatings on Steel Industrial Fence Framework
ASTM F1083	Standard Specification for Pipe, Steel, Hot-Dipped Zinc-Coated (Galvanized) Welded, for Fence Structures
ASTM F1183	Standard Specification for Aluminum Alloy Chain Link Fence Fabric
ASTM F1345	Standard Specification for Zinc 5% Aluminum-Mischmetal Alloy Coated Steel Chain-Link Fence Fabric
ASTM G152	Standard Practice for Operating Open Flame Carbon Arc Light Apparatus for Exposure of Nonmetallic Materials
ASTM G153	Standard Practice for Operating Enclosed Carbon Arc Light Apparatus for Exposure of Nonmetallic Materials
ASTM G154	Standard Practice for Operating Fluorescent Ultraviolet (UV) Lamp Apparatus for Exposure of Nonmetallic Materials
ASTM G155	Standard Practice for Operating Xenon Arc Light Apparatus for Exposure of Nonmetallic Materials
AWPA U1	Use Category System: User Specification for Treated Wood
FED SPEC RR-F-191/Gen	Fencing, Wire, and Post Metal (and Gates, Chain-link Fence Fabric, and Accessories) (General Specification)
FED SPEC RR-F-191/4	Fencing, Wire and Post, Metal (Chain-Link Fence Accessories)

END OF ITEM F-164

Intentionally Left Blank

Part 9 – Drainage

Item D-701 Pipe for Storm Drains and Culverts

DESCRIPTION

701-1.1 This item shall consist of the construction of pipe culverts and storm drains in accordance with these specifications and in reasonably close conformity with the lines and grades shown on the plans.

MATERIALS

701-2.1 Materials shall meet the requirements shown on the plans and specified below.

The Engineer should indicate the required class, schedule, standard dimension ratio (SDR), gauge, and/or strength of pipe desired.

701-2.2 Pipe. The pipe shall be of the type called for on the plans or in the proposal and shall be in accordance with the following appropriate requirements:

	American Association of State Highway and Transportation Officials (AASHTO) M167 Standard Specification for Corrugated Steel Structural Plate, Zinc-Coated, for Field-Bolted Pipe, Pipe-Arches, and Arches
AASHTO M190	Standard Specification for Bituminous-Coated Corrugated Metal Culvert Pipe and Pipe Arches
AASHTO M196	Standard Specification for Corrugated Aluminum Pipe for Sewers and Drains
AASHTO M219	Standard Specification for Corrugated Aluminum Alloy Structural Plate for Field-Bolted Pipe, Pipe-Arches, and Arches
AASHTO M243	Standard Specification for Field-Applied Coating of Corrugated Metal Structural Plate for Pipe, Pipe-Arches, and Arches
AASHTO M252	Standard Specification for Corrugated Polyethylene Drainage Pipe
AASHTO M294	Standard Specification for Corrugated Polyethylene Pipe, 300- to 1500-mm (12- to 60-in.) Diameter
AASHTO M304	Standard Specification for Poly (Vinyl Chloride) (PVC) Profile Wall Drain Pipe and Fittings Based on Controlled Inside Diameter
AASHTO MP20	Standard Specification for Steel Reinforced Polyethylene (PE) Ribbed Pipe, 300- to 900-mm (12- to 36-in.) Diameter
ASTM A760	Standard Specification for Corrugated Steel Pipe, Metallic-Coated for Sewers and Drains

ASTM A761	Standard Specification for Corrugated Structural Steel Plate, Zinc-Coated, for Field-Bolted Pipe, Pipe-Arches, and Arches
ASTM A762	Standard Specification for Corrugated Steel Pipe, Polymer Precoated for Sewers and Drains
ASTM A849	Standard Specification for Post Applied Coatings, Pavings, and Linings for Corrugated Steel Sewer and Drainage Pipe
ASTM B745	Standard Specification for Corrugated Aluminum Pipe for Sewers and Drains
ASTM C14	Standard Specification for Nonreinforced Concrete Sewer, Storm Drain, and Culvert Pipe
ASTM C76	Standard Specification for Reinforced Concrete Culvert, Storm Drain, and Sewer Pipe
ASTM C506	Standard Specification for Reinforced Concrete Arch Culvert, Storm Drain, and Sewer Pipe
ASTM C507	Standard Specification for Reinforced Concrete Elliptical Culvert, Storm Drain, and Sewer Pipe
ASTM C655	Standard Specification for Reinforced Concrete D-Load Culvert, Storm Drain, and Sewer Pipe
ASTM C1433	Standard Specification for Precast Reinforced Concrete Monolithic Box Sections for Culverts, Storm Drains, and Sewers
ASTM F667	Standard Specification for 3 through 24 in Corrugated Polyethylene Pipe and Fittings
ASTM F714	Standard Specification for Polyethylene (PE) Plastic Pipe (DR-PR) Based on Outside Diameter
ASTM F794	Standard Specification for Poly (Vinyl Chloride) (PVC) Profile Gravity Sewer Pipe and Fittings Based on Controlled Inside Diameter
ASTM F894	Standard Specification for Polyethylene (PE) Large Diameter Profile Wall Sewer and Drain Pipe
ASTM F949	Standard Specification for Poly (Vinyl Chloride) (PVC) Corrugated Sewer Pipe With a Smooth Interior and Fittings
ASTM F2435	Standard Specification for Steel Reinforced Polyethylene (PE) Corrugated Pipe
ASTM F2562	Specification for Steel Reinforced Thermoplastic Ribbed Pipe and Fittings for Non-Pressure Drainage and Sewerage
ASTM F2736	Standard Specification for 6 to 30 in. (152 to 762 mm) Polypropylene (PP) Corrugated Single Wall Pipe and Double Wall Pipe
ASTM F2764	Standard Specification for 30 to 60 in. (750 to 1500 mm) Polypropylene (PP) Triple Wall Pipe and Fittings for Non-Pressure Sanitary Sewer Applications
ASTM F2881	Standard Specification for 12 to 60 in. (300 to 1500 mm) Polypropylene (PP) Dual Wall Pipe and Fittings for Non-Pressure Storm Sewer Applications
ASTM D3034	Standard Specification for Type PSM Poly (Vinyl Chloride) (PVC) Sewer Pipe and Fittings

The Engineer shall select the pipe used for the project and delete inappropriate requirements from paragraph 701-2.2 and from the list of material requirements. The Engineer shall include industry standard references (for example, ASTM and/or AASHTO) for installation if necessary.

701-2.3 Concrete. Concrete for pipe cradles shall have a minimum compressive strength of 2000 psi (13.8 MPa) at 28 days and conform to the requirements of ASTM C94.

701-2.4 Rubber gaskets. Rubber gaskets for rigid pipe shall conform to the requirements of ASTM C443. Rubber gaskets for PVC pipe, polyethylene, and polypropylene pipe shall conform to the requirements of ASTM F477. Rubber gaskets for zinc-coated steel pipe and pre-coated galvanized pipe shall conform to the requirements of ASTM D1056, for the "RE" closed cell grades. Rubber gaskets for steel reinforced thermoplastic ribbed pipe shall conform to the requirements of ASTM F477.

701-2.5 Joint mortar. Pipe joint mortar shall consist of one part Portland cement and two parts sand. The Portland cement shall conform to the requirements of ASTM C150, Type I. The sand shall conform to the requirements of ASTM C144.

701-2.6 Joint fillers. Poured filler for joints shall conform to the requirements of ASTM D6690.

701-2.7 Plastic gaskets. Plastic gaskets shall conform to the requirements of AASHTO M198 (Type B).

ASTM C1433 is primarily a manufacturing and purchasing specification. The box section dimensions, compressive strength of the concrete, and reinforcement details shown in the specifications have been designed for a combined earth dead load and AASHTO HS20 live load condition. A modified design will be necessary when aircraft loadings are greater than AASHTO HS20 live loads.

701-2.8. Controlled low-strength material (CLSM). [CLSM is not allowed.]
[Controlled low-strength material shall conform to the requirements of Item P-153. When CLSM is used all joints shall have gaskets.]

The locations where CLSM is permitted shall be shown on the plans. This paragraph and paragraph 701-3.5 must agree.

CONSTRUCTION METHODS

701-3.1 Excavation. The width of the pipe trench shall be sufficient to permit satisfactory jointing of the pipe and thorough tamping of the bedding material under and around the pipe, but it shall not be less than the external diameter of the pipe plus 6 inches (150 mm) on each side. The trench walls shall be approximately vertical.

The Contractor shall comply with all current Federal, state and local rules and regulations governing the safety of men and materials during the excavation, installation and backfilling operations. Specifically,

the Contractor shall observe that all requirements of the Occupational Safety and Health Administration (OSHA) relating to excavations, trenching and shoring are strictly adhered to. The width of the trench shall be sufficient to permit satisfactorily jointing of the pipe and thorough compaction of the bedding material under the pipe and backfill material around the pipe, but it shall not be greater than the widths shown on the plans trench detail. The trench bottom shall be shaped to fully and uniformly support the bottom quadrant of the pipe.

Where rock, hardpan, or other unyielding material is encountered, the Contractor shall remove it from below the foundation grade for a depth of at least 8 inch (200 mm) or 1/2 inch (12 mm) for each foot of fill over the top of the pipe (whichever is greater) but for no more than three-quarters of the nominal diameter of the pipe. The excavation below grade shall be backfilled with selected fine compressible material, such as silty clay or loam, and lightly compacted in layers not over 6 inches (150 mm) in uncompacted depth to form a uniform but yielding foundation.

Where a firm foundation is not encountered at the grade established, due to soft, spongy, or other unstable soil, the unstable soil shall be removed and replaced with approved granular material for the full trench width. The Engineer shall determine the depth of removal necessary. The granular material shall be compacted to provide adequate support for the pipe.

The excavation for pipes placed in embankment fill shall not be made until the embankment has been completed to a height above the top of the pipe as shown on the plans.

701-3.2 Bedding. The pipe bedding shall conform to the class specified on the plans. The bedding surface for the pipe shall provide a firm foundation of uniform density throughout the entire length of the pipe. When no bedding class is specified or detailed on the plans, the requirements for Class C bedding shall apply.

a. Rigid pipe. Class A bedding shall consist of a continuous concrete cradle conforming to the plan details.

Class B bedding shall consist of a bed of granular material having a thickness of at least 6 inches (150 mm) below the bottom of the pipe and extending up around the pipe for a depth of not less than 30% of the pipe's vertical outside diameter. The layer of bedding material shall be shaped to fit the pipe for at least 10% of the pipe's vertical diameter and shall have recesses shaped to receive the bell of bell and spigot pipe. The bedding material shall be sand or select sandy soil with 100% passing a 3/8 inch (9 mm) sieve and not more than 10% passing a No. 200 (0.075 mm) sieve.

Class C bedding shall consist of bedding the pipe in its natural foundation material to a depth of not less than 10% of the pipe's vertical outside diameter. The bed shall be shaped to fit the pipe and shall have recesses shaped to receive the bell of bell and spigot pipe.

b. Flexible pipe. For flexible pipe, the bed shall be roughly shaped to fit the pipe, and a bedding blanket of sand or fine granular material shall be provided as follows:

Pipe Corrugation Depth		Minimum Bedding Depth	
inch	mm	inch	mm
1/2	12	1	25
1	25	2	50
2	50	3	75
2-1/2	60	3-1/2	90

c. PVC, polyethylene, and polypropylene pipe. For PVC, polyethylene, and polypropylene pipe, the bedding material shall consist of coarse sands and gravels with a maximum particle size of 3/4 inches (19

mm). For pipes installed under paved areas, no more than 12% of the material shall pass the No. 200 (0.075 mm) sieve. For all other areas, no more than 50% of the material shall pass the No. 200 (0.075 mm) sieve. The bedding shall have a thickness of at least 6 inches (150 mm) below the bottom of the pipe and extend up around the pipe for a depth of not less than 50% of the pipe's vertical outside diameter.

701-3.3 Laying pipe. The pipe laying shall begin at the lowest point of the trench and proceed upgrade. The lower segment of the pipe shall be in contact with the bedding throughout its full length. Bell or groove ends of rigid pipes and outside circumferential laps of flexible pipes shall be placed facing upgrade.

Paved or partially lined pipe shall be placed so that the longitudinal center line of the paved segment coincides with the flow line.

Elliptical and elliptically reinforced concrete pipes shall be placed with the manufacturer's reference lines designating the top of the pipe within five degrees of a vertical plane through the longitudinal axis of the pipe.

701-3.4 Joining pipe. Joints shall be made with (1) Portland cement mortar, (2) Portland cement grout, (3) rubber gaskets, (4) plastic gaskets, or (5) coupling bands.

Mortar joints shall be made with an excess of mortar to form a continuous bead around the outside of the pipe and shall be finished smooth on the inside. Molds or runners shall be used for grouted joints to retain the poured grout. Rubber ring gaskets shall be installed to form a flexible watertight seal.

a. Concrete pipe. Concrete pipe may be either bell and spigot or tongue and groove. The method of joining pipe sections shall be so the ends are fully entered and the inner surfaces are reasonably flush and even. Joints shall be thoroughly wetted before applying mortar or grout.

b. Metal pipe. Metal pipe shall be firmly joined by form-fitting bands conforming to the requirements of ASTM A760 for steel pipe and AASHTO M196 for aluminum pipe.

c. PVC, polyethylene and polypropylene pipe. Joints for PVC, Polyethylene, and Polypropylene pipe shall conform to the requirements of ASTM D3212 when water tight joints are required. Joints for PVC and Polyethylene pipe shall conform to the requirements of AASHTO M304 when soil tight joints are required. Fittings for polyethylene pipe shall conform to the requirements of AASHTO M252 or ASTM M294. Fittings for polypropylene pipe shall conform to ASTM F2881, ASTM F2736, or ASTM F2764.

701-3.5 Backfilling. Pipes shall be inspected before any backfill is placed; any pipes found to be out of alignment, unduly settled, or damaged shall be removed and relaid or replaced at the Contractor's expense.

Material for backfill shall be fine, readily compatible soil or granular material [selected from the excavation or a source of the Contractor's choosing] [shall meet the requirements of Item P-153]. It shall not contain frozen lumps, stones that would be retained on a 2-inch (50 mm) sieve, chunks of highly plastic clay, or other objectionable material. Granular backfill material shall have 95% or more passing the a 1/2 inch (12 mm) sieve, with 95% or more being retained on the No. 4 (4.75 mm) sieve.

When the top of the pipe is even with or below the top of the trench, the backfill shall be compacted in layers not exceeding 6 inches (150 mm) on each side of the pipe and shall be brought up one foot (30 cm) above the top of the pipe or to natural ground level, whichever is greater. Thoroughly compact the backfill material under the haunches of the pipe without displacing the pipe. Material shall be brought up evenly on each side of the pipe for the full length of the pipe.

When the top of the pipe is above the top of the trench, the backfill shall be compacted in layers not exceeding 6 inches (150 mm) and shall be brought up evenly on each side of the pipe to one foot (30 cm) above the top of the pipe. The width of backfill on each side of the pipe for the portion above the top of the trench shall be equal to twice the pipe’s diameter or 12 feet (3.7 m), whichever is less.

For PVC, polyethylene, and polypropylene pipe, the backfill shall be placed in two stages; first to the top of the pipe and then at least 12 inches (300 mm) over the top of the pipe. The backfill material shall meet the requirements of paragraph 701-3.2c.

All backfill shall be compacted to the density required under Item P-152.

It shall be the Contractor’s responsibility to protect installed pipes and culverts from damage due to construction equipment operations. The Contractor shall be responsible for installation of any extra strutting or backfill required to protect pipes from the construction equipment.

METHOD OF MEASUREMENT

701-4.1 The length of pipe shall be measured in linear feet (m) of pipe in place, completed, and approved. It shall be measured along the centerline of the pipe from end or inside face of structure to the end or inside face of structure, whichever is applicable. The several classes, types and size shall be measured separately. All fittings shall be included in the footage as typical pipe sections in the pipe being measured.

701-4.2 The volume of concrete for pipe cradles shall be the number of cubic yards (cubic meters) of concrete that is completed in place and accepted.

701-4.3 The volume of rock shall be the number of cubic yards (cubic meters) of rock excavated. No payment shall be made for the cushion material placed for the bed of the pipe.

BASIS OF PAYMENT

701-5.1 Payment will be made at the contract unit price per linear foot (meter) for each kind of pipe of the type and size designated; at the contract unit price per cubic yard (cubic meter) of concrete for pipe cradles; and at the contract unit price per cubic yard (cubic meter) for rock excavation.

These prices shall fully compensate the Contractor for furnishing all materials and for all preparation, excavation, and installation of these materials; and for all labor, equipment, tools, and incidentals necessary to complete the item.

Payment will be made under:

- Item 701-5.1a [] inch [] per linear foot (meter)
- Item 701-5.1b Concrete for pipe cradles - per cubic yard (cubic meter)
- Item 701-5.1c Rock excavation - per cubic yard (cubic meter)

The Engineer shall specify the size and type of pipe for each pipe size specified in the plans.

MATERIAL REQUIREMENTS

AASHTO M167	Standard Specification for Corrugated Steel Structural Plate, Zinc-Coated, for Field-Bolted Pipe, Pipe-Arches, and Arches
AASHTO M190	Standard Specification for Bituminous-Coated Corrugated Metal Culvert Pipe and Pipe Arches
AASHTO M196	Standard Specification for Corrugated Aluminum Pipe for Sewers and Drains
AASHTO M198	Standard Specification for Joints for Concrete Pipe, Manholes, and Precast Box Sections Using Preformed Flexible Joint Sealants
AASHTO M219	Standard Specification for Corrugated Aluminum Alloy Structural Plate for Field-Bolted Pipe, Pipe-Arches, and Arches
AASHTO M243	Standard Specification for Field Applied Coating of Corrugated Metal Structural Plate for Pipe, Pipe-Arches, and Arches
AASHTO M252	Standard Specification for Corrugated Polyethylene Drainage Pipe
AASHTO M294	Standard Specification for Corrugated Polyethylene Pipe, 300- to 1500-mm (12- to 60-in.) Diameter
AASHTO M304	Standard Specification for Poly (Vinyl Chloride) (PVC) Profile Wall Drain Pipe and Fittings Based on Controlled Inside Diameter
AASHTO MP20	Standard Specification for Steel Reinforced Polyethylene (PE) Ribbed Pipe, 300- to 900-mm (12- to 36-in.) Diameter
ASTM A760	Standard Specification for Corrugated Steel Pipe, Metallic Coated for Sewers and Drains
ASTM A761	Standard Specification for Corrugated Steel Structural Plate, Zinc Coated, for Field-Bolted Pipe, Pipe-Arches, and Arches
ASTM A762	Standard Specification for Corrugated Steel Pipe, Polymer Precoated for Sewers and Drains
ASTM A849	Standard Specification for Post-Applied Coatings, Pavings, and Linings for Corrugated Steel Sewer and Drainage Pipe
ASTM B745	Standard Specification for Corrugated Aluminum Pipe for Sewers and Drains
ASTM C14	Standard Specification for Nonreinforced Concrete Sewer, Storm Drain, and Culvert Pipe
ASTM C76	Standard Specification for Reinforced Concrete Culvert, Storm Drain, and Sewer Pipe
ASTM C94	Standard Specification for Ready Mixed Concrete
ASTM C144	Standard Specification for Aggregate for Masonry Mortar
ASTM C150	Standard Specification for Portland Cement
ASTM C443	Standard Specification for Joints for Concrete Pipe and Manholes, Using Rubber Gaskets
ASTM C506	Standard Specification for Reinforced Concrete Arch Culvert, Storm Drain, and Sewer Pipe

ASTM C507	Standard Specification for Reinforced Concrete Elliptical Culvert, Storm Drain and Sewer Pipe
ASTM C655	Standard Specification for Reinforced Concrete D-Load Culvert, Storm Drain and Sewer Pipe
ASTM C1433	Standard Specification for Precast Reinforced Concrete Monolithic Box Sections for Culverts, Storm Drains, and Sewers
ASTM D1056	Standard Specification for Flexible Cellular Materials Sponge or Expanded Rubber
ASTM D3034	Standard Specification for Type PSM Poly (Vinyl Chloride) (PVC) Sewer Pipe and Fittings
ASTM D3212	Standard Specification for Joints for Drain and Sewer Plastic Pipes Using Flexible Elastomeric Seals
ASTM D6690	Standard Specification for Joint and Crack Sealants, Hot Applied, for Concrete and Asphalt Pavements
ASTM F477	Standard Specification for Elastomeric Seals (Gaskets) for Joining Plastic Pipe
ASTM F667	Standard Specification for 3 through 24 in. Corrugated Polyethylene Pipe and Fittings
ASTM F714	Standard Specification for Polyethylene (PE) Plastic Pipe (DR PR) Based on Outside Diameter
ASTM F794	Standard Specification for Poly (Vinyl Chloride) (PVC) Profile Gravity Sewer Pipe & Fittings Based on Controlled Inside Diameter
ASTM F894	Standard Specification for Polyethylene (PE) Large Diameter Profile Wall Sewer and Drain Pipe
ASTM F949	Standard Specification for Poly (Vinyl Chloride) (PVC) Corrugated Sewer Pipe With a Smooth Interior and Fittings
ASTM F2435	Standard Specification for Steel Reinforced Polyethylene (PE) Corrugated Pipe
ASTM F2562	Specification for Steel Reinforced Thermoplastic Ribbed Pipe and Fittings for Non-Pressure Drainage and Sewerage
ASTM F2736	Standard Specification for 6 to 30 in. (152 to 762 mm) Polypropylene (PP) Corrugated Single Wall Pipe and Double Wall Pipe
ASTM F2764	Standard Specification for 30 to 60 in. (750 to 1500 mm) Polypropylene (PP) Triple Wall Pipe and Fittings for Non-Pressure Sanitary Sewer Applications
ASTM F2881	Standard Specification for 12 to 60 in. (300 to 1500 mm) Polypropylene (PP) Dual Wall Pipe and Fittings for Non-Pressure Storm Sewer Applications

END ITEM D-701

Item D-702 Slotted Drains

DESCRIPTION

702-1.1 This item shall consist of the construction of steel slotted drains or cast iron slotted vane drains in accordance with these specifications and in reasonably close conformity with the lines and grades shown on the plans. Typical details shall be shown on the plans.

MATERIALS

702-2.1 General. All slotted drains shall meet the requirements shown on the plans and specified below. All slotted drains shall meet specified hydraulic design requirements and shall support the loadings specified.

702-2.2 Pipe.

a. Steel slotted drain. Pipe shall be metallic coated (galvanized or aluminized type 2) corrugated steel type I meeting the requirements of ASTM A760. Pipe diameter and gauge shall be as shown on the plans.

The corrugated steel pipe shall have a minimum of two rerolled annular ends.

b. Cast iron slotted vane drain. Polyvinyl Chloride (PVC) pipe shall meet the requirements of ASTM D3034. Pipe diameter shall be as shown on the plans. The pipe shall have an open slot to accept the cast iron slotted vane drain castings.

702-2.3 Grates and castings.

a. Steel Slotted Drain. Grates shall be manufactured from ASTM A36 Grade 36 steel. Spacers and bearing bars (sides) shall be 3/16 inch (5 mm) material. The spacers shall be welded to each bearing bar with four 1-1/4 inch long by 3/16 inch wide (32 mm long by 5 mm wide) fillet welds on each side of the bearing bar at spacings not exceeding 6 inches (150 mm). The grates shall be 6 inches (150 mm) high or as shown on the plans and shall have a maximum 1-3/4 inch (45 mm) opening in the top.

Grates shall be galvanized in accordance with ASTM A123 except with a 2 ounce / square feet (0.61 kg/sq m) galvanized coating.

The grates shall be fillet welded to the corrugated steel pipe with a minimum weld one inch (25 mm) long on each side of the grate at every other corrugation. Weld areas and the heat affected zones where the slot is welded to the corrugated pipe shall be thoroughly cleaned and painted with a zinc-rich paint in accordance with repair of damaged coatings in ASTM A760.

Each 20-foot (6.1-m) length of drain delivered to the job site shall be within the following tolerances: vertical bow $\pm 3/8$ inch (9 mm), horizontal bow $\pm 5/8$ inch (16 mm), twist $\pm 1/2$ inch (12 mm).

b. Cast iron slotted vane drain. Castings shall meet the requirements of ASTM A48, Class 35B gray iron. Castings shall be furnished with no coatings.

Castings shall be designed to fit on open slots in 15 inch (38 cm) PVC pipe. Casting sections shall not exceed 3 feet (1 m) in length. Casting sections shall have a built-in vane configuration with bar spacings not exceeding 6 inches (150 mm). The opening at the surface shall not exceed 3-3/4 inch (95 mm), and the vane shall be constructed on a radius so that the opening shall be less than 1-1/2 inch (38 mm) at a

depth of 1-1/2 inch (38 mm) as measured vertically from the surface. Casting sections shall integrally lock into the concrete by use of top and bottoms flanges and shear tabs. Castings shall accept bolts for bolting sections together and shall accept wire for fitting to pipe.

The Engineer should note that certain standard details can be found in American Association of State Highway and Transportation Officials (AASHTO) AGC-ARTBA publication "A Guide to Standardized Highway Drainage Products (November 1999)". All products used shall meet the most demanding airport loading and tire pressure requirements.

702-2.4 Concrete.

a. Steel slotted drain. Concrete shall have a minimum compressive strength of 1,000 psi (6.9 MPa) at 28 days when tested in accordance with ASTM C39.

b. Cast iron slotted vane drain. Concrete shall have a minimum compressive strength of 3,000 psi (20.7 MPa) at 28-days when tested in accordance with ASTM C39.

702-2.5 Concrete. Plain or reinforced concrete used shall conform to the requirements of Item P-610.

If design requirements indicate the need for structural concrete, the Engineer should include Item P-610 Structural Portland Cement Concrete.

CONSTRUCTION METHODS

702-3.1 Excavation. The width of the trench shall be sufficient to permit satisfactory installation and jointing of the slotted drain and placing of a high slump concrete backfill material under and around the drain, but shall not be less than the external pipe diameter plus 6 inches (150 mm) on each side. The depth of the trench shall be a minimum of 2 inches (50 mm) below the invert for steel slotted drain and 6 inches (150 mm) below the invert for a cast iron slotted vane drain.

The trench may be roughly shaped to the slotted drain bed.

702-3.2 Installation. Steel slotted drain shall be laid in sections joined firmly together with coupling bands, or as shown on the plans. Cast iron drains shall be wired to the top of the PVC pipe in the slot cut to receive the castings. The top of all drains shall be held firmly in place to the proper grade, to preclude movement during the backfilling operation.

702-3.3 Joining. Slotted steel drain joints shall be firmly joined by modified hugger type bands, or as indicated, to secure the pipe and prevent infiltration of the backfill. When the slotted steel drain is banded together, the adjacent grates shall have a maximum 3 inch (75 mm) gap. Cast iron drain castings shall be bolted together.

702-3.4 Backfilling. Slotted drains shall be inspected before any backfill is placed. Damaged drains shall be aligned or replaced at the expense of the Contractor.

The trench holding the slotted drain assembly shall be backfilled with concrete that will easily flow under and around the drain and the trench wall. The opening in the top of grates and castings shall be covered to

prevent unwanted material from entering the drain during the backfilling and subsequent surfacing operations.

METHOD OF MEASUREMENT

702-4.1 The length of slotted drain shall be measured in linear feet (meters) of slotted drain in place, completed, and approved. It shall be measured along the centerline of the drain from end or inside face of structure to the end or inside face of structure, whichever is applicable. The several classes, types, and sizes shall be measured separately. All fittings shall be included in the footage as typical pipe sections being measured.

BASIS OF PAYMENT

702-5.1 Payment shall be made at the contract unit price per linear foot (meter) for each kind of slotted drain type and size designated and at the contract unit price per cubic yard (cubic meter) of concrete for backfill.

These prices shall be full compensation for all materials, all preparation, excavation and installation of these materials; and all labor, equipment, tools, and incidentals necessary to complete the item.

Payment will be made under:

Item 702-5.1a [] inch ([] mm) diameter [gauge] pipe per linear foot (meter)

The Engineer shall include a pay item for each size and gauge pipe specified for each drain type.

Item 702-5.1b Concrete for backfill - per cubic yard (cubic meter).

TESTING REQUIREMENTS

ASTM C39 Standard Test Method for Compressive Strength of Cylindrical Concrete Specimens

MATERIAL REQUIREMENTS

AASHTO-AGC-ARTBA Task Force 13 Report
A Guide to Standardized Highway Drainage Products

ASTM A36 Standard Specification for Carbon Structural Steel

ASTM A48 Standard Specification for Gray Iron Castings

ASTM A123 Standard Specification for Zinc(Hot-Dip Galvanized) Coatings on Iron and Steel Products

ASTM A760 Standard Specification for Corrugated Steel Pipe, Metallic-Coated for Sewers and Drains

ASTM A1011	Standard Specification for Steel, Sheet and Strip, Hot-Rolled, Carbon, Structural, High-Strength Low-Alloy, High-Strength Low-Alloy with Improved Formability, and Ultra-High Strength
ASTM D3034	Standard Specification for Type PSM Poly (Vinyl Chloride) (PVC) Sewer Pipe and Fittings

END OF ITEM D-702

Item D-705 Pipe Underdrains for Airports

DESCRIPTION

705-1.1 This item shall consist of the construction of pipe drains in accordance with these specifications and in reasonably close conformity with the lines and grades shown on the plans.

MATERIALS

705-2.1 General. Materials shall meet the requirements shown on the plans and specified below.

The Engineer should indicate the required class, schedule, standard dimension ratio (SDR), gauge, and/or strength of pipe desired.

705-2.2 Pipe. The pipe shall be of the type called for on the plans or in the proposal and shall be in accordance with the following appropriate requirements.

American Association of State Highway and Transportation Officials (AASHTO) M196 Standard Specification for Corrugated Aluminum Pipe for Sewers and Drains

AASHTO M252 Standard Specification for Corrugated Polyethylene Drainage Pipe

AASHTO M294 Standard Specification for Corrugated Polyethylene Pipe, 300- to 1500-mm (12- to 60-in.) Diameter

AASHTO M304 Standard Specification for Poly (Vinyl Chloride) (PVC) Profile Wall Drain Pipe and Fittings Based on Controlled Inside Diameter

AASHTO MP20 Standard Specification for Steel Reinforced Polyethylene (PE) Ribbed Pipe, 300- to 900-mm (12- to 36-in.) Diameter

ASTM A760 Standard Specification for Corrugated Steel Pipe, Metallic-Coated for Sewers and Drains

ASTM A762 Standard Specification for Corrugated Steel Pipe, Polymer Precoated for Sewers and Drains

ASTM C444 Standard Specification for Perforated Concrete Pipe

ASTM C654 Standard Specification for Porous Concrete Pipe

ASTM F758 Standard Specification for Smooth-Wall Poly (Vinyl Chloride) (PVC) Plastic Underdrain Systems for Highway, Airport, and Similar Drainage

ASTM F794 Standard Specification for Poly (Vinyl Chloride) (PVC) Profile Gravity Sewer Pipe & Fittings Based on Controlled Inside Diameter

ASTM F949 Standard Specification for Poly (Vinyl Chloride)(PVC) Corrugated Sewer Pipe With a Smooth Interior and Fittings

ASTM F2562 Specification for Steel Reinforced Thermoplastic Ribbed Pipe and Fittings for Non-Pressure Drainage and Sewerage

The Engineer shall select the pipe used for the project and delete inappropriate requirements from paragraph 705-2.2 and from the list of material requirements.

705-2.3 Joint mortar. Pipe joint mortar shall consist of one part by volume of Portland cement and two parts sand. The Portland cement shall conform to the requirements of ASTM C150, Type I. The sand shall conform to the requirements of ASTM C144.

705-2.4 Elastomeric seals. Elastomeric seals shall conform to the requirements of ASTM F477.

705-2.5 Porous backfill. Porous backfill shall be free of clay, humus, or other objectionable matter, and shall conform to the gradation in Table 1 when tested in accordance with ASTM C136.

Table 1. Gradation of Porous Backfill

Sieve Designation (square openings)	Percentage by Weight Passing Sieves
	Porous Material No. *
1-1/2 inch (38 mm)	*
1 inch (25 mm)	*
3/8 inch (9 mm)	*
No. 4 (4.75 mm)	*
No. 8 (2.36 mm)	*
No. 16 (1.18 mm)	*
No. 50 (0.30 mm)	*
No. 100 (0.15 mm)	*

The Engineer shall select the gradation from the table below and insert in Table 1 above.

Table 1. Gradation of Porous Backfill

Sieve Designation (square openings)	Percentage by Weight Passing Sieves	
	Porous Material No. 1	Porous Material No. 2
1-1/2 inch (38 mm)		100
1 inch (25 mm)		90 - 100
3/8 inch (9 mm)	100	25 - 60
No. 4 (4.75 mm)	95 - 100	5 - 40
No. 8 (2.36 mm)		0 - 20
No. 16 (1.18 mm)	45 - 80	
No. 50 (0.30 mm)	10 - 30	
No. 100 (0.15 mm)	0 - 10	

When two courses of porous backfill are specified in the plans, the finer of the materials shall conform to particle size tabulated herein for porous material No. 1. The coarser granular material shall meet the gradation given in the tabulation for porous material No. 2.

705-2.6. Granular material. Granular material used for backfilling shall conform to the requirements of ASTM D2321 for Class IA, IB, or II materials, or shall meet the requirements of AASHTO Standard Specification for Highway Bridges Section 30.

705-2.7. Filter fabric. The filter fabric shall conform to the requirements of AASHTO M288 Class 2.

Table 2

Fabric Property	Test Method	Test Requirement
Grab Tensile Strength, lbs	ASTM D4632	125 min
Grab Tensile Elongation %	ASTM D4632	50 min
Burst Strength, psi	ASTM D3785	125 min
Trapezoid Tear Strength, lbs	ASTM D4533	55 min
Puncture Strength, lbs	ASTM D4833	40 min
Abrasion, lbs	ASTM D4886	15 max loss
Equivalent Opening Size	ASTM D4751	70-100
Permittivity sec ⁻¹	ASTM D4491	0.80
Accelerated Weathering (UV Stability) (Strength Retained - %)	ASTM D4355 *(500 hrs exposure)	70

The Engineer shall specify Class 2 unless sufficient survivability information is available for a reduction in minimum property requirements. Permittivity and Apparent Opening Size requirements shall be based on knowledge of in situ soil.

705-2.8. Controlled low-strength material (CLSM). [CLSM is not allowed.]
[Controlled low-strength material shall conform to the requirements of Item P-153. When CLSM is used all joints shall have elastomeric seals.]

The locations where CLSM is permitted shall be shown on the plans.

CONSTRUCTION METHODS

705-3.1 Equipment. All equipment required for the construction of pipe underdrains shall be on the project, in good working condition, and approved by the Engineer before construction is permitted to start.

705-3.2 Excavation. The width of the pipe trench shall be sufficient to permit satisfactory jointing of the pipe and thorough tamping of the bedding material under and around the pipe, but shall not be less than the external diameter of the pipe plus 6 inches (150 mm) on each side of the pipe. The trench walls shall be approximately vertical.

Where rock, hardpan, or other unyielding material is encountered, it shall be removed below the foundation grade for a depth of at least 4 inches (100 mm). The excavation below grade shall be backfilled with selected fine compressible material, such as silty clay or loam, and lightly compacted in layers not over 6 inches (150 mm) in uncompacted depth to form a uniform but yielding foundation.

Where a firm foundation is not encountered at the grade established, due to soft, spongy, or other unstable soil, the unstable soil shall be removed and replaced with approved granular material for the full trench width. The Engineer shall determine the depth of removal necessary. The granular material shall be compacted to provide adequate support for the pipe.

Excavated material not required or acceptable for backfill shall be disposed of by the Contractor as directed by the Engineer. The excavation shall not be carried below the required depth; if this occurs, the trench shall be backfilled at the Contractor's expense with material approved by the Engineer and compacted to the density of the surrounding material.

The pipe bed shall be shaped so at least the lower quarter of the pipe shall be in continuous contact with the bottom of the trench. Spaces for the pipe bell shall be excavated to allow the pipe barrel to support the entire weight of the pipe.

The Contractor shall do trench bracing, sheathing, or shoring necessary to perform and protect the excavation as required for safety and conformance to Federal, state and local laws. Unless otherwise provided, the bracing, sheathing, or shoring shall be removed by the Contractor after the backfill has reached at least 12 inches (300 mm) over the top of the pipe. The sheathing or shoring shall be pulled as the granular backfill is placed and compacted to avoid any unfilled spaces between the trench wall and the

backfill material. The cost of bracing, sheathing, or shoring, and the removal of same, shall be included in the unit price bid per foot (meter) for the pipe.

705-3.3 Laying and installing pipe.

a. Concrete pipe. The laying of the pipe in the finished trench shall be started at the lowest point and proceed upgrade. When bell and spigot pipe is used, the bells shall be laid upgrade. If tongue and groove pipe is used, the groove end shall be laid upgrade. Holes in perforated pipe shall be placed down, unless otherwise shown on the plans. The pipe shall be firmly and accurately set to line and grade so that the invert will be smooth and uniform. Pipe shall not be laid on frozen ground.

Pipe which is not true in alignment, or which shows any settlement after laying, shall be taken up and relaid by the Contractor at no additional expense.

b. Metal pipe. The metal pipe shall be laid with the separate sections joined firmly together with bands, with outside laps of circumferential joints pointing upgrade, and with longitudinal laps on the sides. Any metal in the pipe or bands that is not protected thoroughly by galvanizing shall be coated with a suitable asphaltum paint.

During installation, the asphalt-protected pipe shall be handled without damaging the asphalt coating. Any breaks in the bitumen or treatment of the pipe shall be refilled with the type and kind of bitumen used in coating the pipe originally.

c. PVC or polyethylene pipe. PVC or polyethylene pipe shall be installed in accordance with the requirements of ASTM D2321 or AASHTO Standard Specification for Highway Bridges Section 30. Perforations shall meet the requirements of AASHTO M252 or AASHTO M294 Class 2, unless otherwise indicated on the plans. The pipe shall be laid accurately to line and grade.

d. All types of pipe. The upgrade end of pipelines, not terminating in a structure, shall be plugged or capped as approved by the Engineer.

Unless otherwise shown on the plans, a 4 inch (100 mm) bed of granular backfill material shall be spread in the bottom of the trench throughout the entire length under all perforated pipe underdrains.

Pipe outlets for the underdrains shall be constructed when required or shown on the plans. The pipe shall be laid with tight-fitting joints. Porous backfill is not required around or over pipe outlets for underdrains. All connections to other drainage pipes or structures shall be made as required and in a satisfactory manner. If connections are not made to other pipes or structures, the outlets shall be protected and constructed as shown on the plans.

e. Filter fabric. The filter fabric shall be installed in accordance with the manufacturer's recommendations, or in accordance with AASHTO M288 Appendix, unless otherwise shown on the plans.

705-3.4 Mortar. The mortar shall be of the desired consistency for caulking and filling the joints of the pipe and for making connections to other pipes or to structures. Mortar that is not used within 45 minutes after water has been added shall be discarded. Retempering of mortar shall not be permitted.

705-3.5 Joints in concrete pipe. When open or partly open joints are required or specified, they shall be constructed as indicated on the plans. The pipe shall be laid with the ends fitted together as designed. If bell and spigot pipe is used, mortar shall be placed along the inside bottom quarter of the bell to center the following section of pipe.

The open or partly open joints shall be surrounded with granular material meeting requirements of porous backfill No. 2 in Table 1 or as indicated on the plans. This backfill shall be placed so its thickness will be not less than 3 inches (75 mm) nor more than 6 inches (150 mm), unless otherwise shown on the plans.

When the original material excavated from the trench is impervious, commercial concrete sand or granular material meeting requirements of porous backfill No. 1 shall surround porous backfill No. 2 (Table 1), as shown on the plans or as directed by the Engineer.

When the original material excavated from the trench is pervious and suitable, it may be used as backfill in lieu of porous backfill No. 1, when indicated on the plans or as directed by the Engineer.

705-3.6 Backfilling.

a. Earth. All trenches and excavations shall be backfilled soon after the pipes are installed, unless additional protection of the pipe is directed. The backfill material shall be select material from excavation or borrow and shall be approved by the Engineer. The select material shall be placed on each side of the pipe out to a distance of the nominal pipe diameter and one foot (30 cm) over the top of the pipe and shall be readily compacted. It shall not contain stones 3 inches (75 mm) or larger in size, frozen lumps, chunks of highly plastic clay, or any other material that is objectionable to the Engineer. The material shall be moistened or dried, as required to aid compaction. Placement of the backfill shall not cause displacement of the pipe. Thorough compaction under the haunches and along the sides to the top of the pipe shall be obtained.

The backfill shall be placed in loose layers not exceeding 6 inches (150 mm) in depth under and around the pipe, and not exceeding 8 inches (200 mm) over the pipe. Successive layers shall be added and thoroughly compacted by hand and pneumatic tampers, approved by the Engineer, until the trench is completely filled and brought to the planned elevation. Backfilling shall be done to avoid damaging top or side pressures on the pipe.

In embankments and other unpaved areas, the backfill shall be compacted per Item P-152 to the density required for embankments in unpaved areas. Under paved areas, the subgrade and any backfill shall be compacted per Item P-152 to the density required for embankments for paved areas.

b. Granular backfill. When granular backfill is required, placement in the trench and about the pipe shall be as shown on the plans. The granular backfill shall not contain an excessive amount of foreign matter, nor shall soil from the sides of the trench or from the soil excavated from the trench be allowed to filter into the granular backfill. When required by the Engineer, a template shall be used to properly place and separate the two sizes of backfill. The backfill shall be placed in loose layers not exceeding 6 inches (150 mm) in depth. The granular backfill shall be compacted by hand and pneumatic tampers to the requirements as given for embankment. Backfilling shall be done to avoid damaging top or side pressure on the pipe. The granular backfill shall extend to the elevation of the trench or as shown on the plans.

When perforated pipe is specified, granular backfill material shall be placed along the full length of the pipe. The position of the granular material shall be as shown on the plans. If the original material excavated from the trench is pervious and suitable, it shall be used in lieu of porous backfill No. 1.

If porous backfill is placed in paved or adjacent to paved areas before grading or subgrade operations is completed, the backfill material shall be placed immediately after laying the pipe. The depth of the granular backfill shall be not less than 12 inches (300 mm), measured from the top of the underdrain. During subsequent construction operations, a minimum depth of 12 inches (300 mm) of backfill shall be maintained over the underdrains. When the underdrains are to be completed, any unsuitable material shall be removed exposing the porous backfill. Porous backfill containing objectionable material shall be removed and replaced with suitable material. The cost of removing and replacing any unsuitable material shall be at the Contractor's expense.

If a granular subbase blanket course is used which extends several feet beyond the edge of paving to the outside edge of the underdrain trench, the granular backfill material over the underdrains shall be placed in the trench up to an elevation of 2 inches (50 mm) above the bottom surface of the granular subbase blanket course. Immediately prior to the placing of the granular subbase blanket course, the Contractor

shall blade this excess trench backfill from the top of the trench onto the adjacent subgrade where it can be incorporated into the granular subbase blanket course. Any unsuitable material that remains over the underdrain trench shall be removed and replaced. The subbase material shall be placed to provide clean contact between the subbase material and the underdrain granular backfill material for the full width of the underdrain trench.

c. Controlled low-strength material (CLSM). [CLSM is not allowed.] [Controlled low-strength material shall conform to the requirements of Item P-153.]

d. Deflection testing. The Engineer may at any time, notwithstanding previous material acceptance, reject or require re-installation of pipe that exceeds 5% deflection when measured in accordance with ASTM D2321, including Appendices.

705-3.7 Connections. When the plans call for connections to existing or proposed pipe or structures, these connections shall be watertight and made to obtain a smooth uniform flow line throughout the drainage system.

705-3.8 Cleaning and restoration of site. After the backfill is completed, the Contractor shall dispose of all surplus material, soil, and rubbish from the site. Surplus soil may be deposited in embankments, shoulders, or as directed by the Engineer. Except for paved areas of the airport, the Contractor shall restore all disturbed areas to their original condition.

METHOD OF MEASUREMENT

705-4.1 The length of pipe shall be the number of linear feet (meters) of pipe underdrains in place, completed, and approved; measured along the centerline of the pipe from end or inside face of structure to the end or inside face of structure, whichever is applicable. The several classes, types, and sizes shall be measured separately. All fittings shall be included in the footage as typical pipe sections in the pipeline being measured.

705-4.2 The quantity of porous backfill shall be the number of cubic yards (cubic meters) of porous backfill No. 1 and No. 2, complete in place and accepted, and shall be determined from the dimensions given on the plans by typical trench sections indicating the placement of porous backfill or dimensions directed by the Engineer.

705-4.3 The quantity of filter fabric shall be the number of square yards (square meters) of filter fabric in place, completed, and approved; and shall be determined from the dimensions given on the plans by typical trench sections indicating the placement of filter fabric or dimensions directed by the Engineer.

BASIS OF PAYMENT

705-5.1 Payment will be made at the contract unit price per linear foot (meter) for pipe underdrains of the type, class, and size designated.

705-5.2 Porous backfill.

[**a.** Porous backfill No. 1 shall be made at the contract unit price [per cubic yard (cubic meter)] [per ton (metric ton)].]

[**b.** Porous Backfill No. 2 shall be made at the contract unit price [per cubic yard (cubic meter)] [per ton (metric ton)].]

705-5.3. Filter fabric. Filter fabric shall be made at the contract unit price per square yard (square meter) for filter fabric.

[**705-5.4 Pipe underdrains, Complete.** Pipe underdrains, complete (including porous backfill and filter fabric) shall be made at the contract unit price [per linear foot (meter) COMPLETE (including porous backfill and filter fabric.)]]

These prices shall be full compensation for furnishing all materials and for all preparation, excavation, and installation of these materials, and for all labor, equipment, tools, and incidentals necessary to complete the item.

Payment will be made under:

Item D-705-5.1 [] inch pipe (mm pipe) [] per linear foot (meter)

[Item D-705-5.2a Porous Backfill No. 1-[per cubic yard (cubic meter)][per ton (metric ton)]]

[Item D-705-5.2b Porous Backfill No. 2-[per cubic yard (cubic meter)][per ton (metric ton)]]

Item D-705-5.3 Filter Fabric - per square yard (square meter)

[Item D-705-5.4 [] inch pipe (mm pipe) [] per linear foot (meter) complete (including porous backfill and filter fabric)]

The Engineer shall specify the size and type of pipe, filter fabric, and backfill material for each pipe size and type specified in the plans.

If Payment Item D-705-5.4 is used, delete Payment Items D-705-5.1 through 5.3.

MATERIAL REQUIREMENTS

- ASTM A760 Standard Specification for Corrugated Steel Pipe, Metallic Coated for Sewers and Drains
- ASTM A762 Standard Specification for Corrugated Steel Pipe, Polymer Precoated for Sewers and Drains
- ASTM C136 Standard Test Method for Sieve or Screen Analysis of Fine and Coarse Aggregates
- ASTM C144 Standard Specification for Aggregate for Masonry Mortar
- ASTM C150 Standard Specification for Portland Cement
- ASTM C444 Standard Specification for Perforated Concrete Pipe
- ASTM C654 Standard Specification for Porous Concrete Pipe
- ASTM D2321 Standard Practice for Underground Installation of Thermoplastic Pipe for Sewers and Other Gravity-Flow Applications

ASTM D3034	Standard Specification for Type PSM Poly(Vinyl Chloride) (PVC) Sewer Pipe and Fittings
ASTM F477	Standard Specification for Elastomeric Seals (Gaskets) for Joining Plastic Pipe
ASTM F758	Standard Specification for Smooth Wall Poly(Vinyl Chloride) (PVC) Plastic Underdrain Systems for Highway, Airport, and Similar Drainage
ASTM F794	Standard Specification for Poly (Vinyl Chloride) (PVC) Profile Gravity Sewer Pipe & Fittings Based on Controlled Inside Diameter
ASTM F949	Standard Specification for Poly (Vinyl Chloride) (PVC) Corrugated Sewer Pipe with a Smooth Interior and Fittings
ASTM F2562	Specification for Steel Reinforced Thermoplastic Ribbed Pipe and Fittings for Non-Pressure Drainage and Sewerage
AASHTO M190	Standard Specification for Bituminous - Coated Corrugated Metal Culvert Pipe and Pipe Arches
AASHTO M196	Standard Specification for Corrugated Aluminum Pipe for Sewers and Drains
AASHTO M252	Standard Specification for Corrugated Polyethylene Drainage Pipe
AASHTO M288	Standard Specification for Geotextile Specification for Highway Applications
AASHTO M294	Standard Specification for Corrugated Polyethylene Pipe, 300- to 1500- mm (12- to 60-in.) Diameter
AASHTO M304	Standard Specification for Poly (Vinyl Chloride) (PVC) Profile Wall Drain Pipe and Fittings Based on Controlled Inside Diameter
AASHTO MP20	Standard Specification for Steel-Reinforced Polyethylene (PE) Ribbed Pipe, 300- to 900-mm (12- to 36-in.) diameter
AASHTO	Standard Specifications for Highway Bridges

END OF ITEM D-705

Intentionally Left Blank

Item D-751 Manholes, Catch Basins, Inlets and Inspection Holes

DESCRIPTION

751-1.1 This item shall consist of construction of manholes, catch basins, inlets, and inspection holes, in accordance with these specifications, at the specified locations and conforming to the lines, grades, and dimensions shown on the plans or required by the Engineer.

MATERIALS

751-2.1 Brick. The brick shall conform to the requirements of ASTM C32, Grade MS.

751-2.2 Mortar. Mortar shall consist of one part Portland cement and two parts sand. The Portland cement shall conform to the requirements of ASTM C150, Type I. The sand shall conform to the requirements of ASTM C144.

751-2.3 Concrete. Plain and reinforced concrete used in structures, connections of pipes with structures, and the support of structures or frames shall conform to the requirements of Item P-610.

751-2.4 Precast concrete pipe manhole rings. Precast concrete pipe manhole rings shall conform to the requirements of ASTM C478. Unless otherwise specified, the risers and offset cone sections shall have an inside diameter of not less than 36 inches (90 cm) nor more than 48 inches (120 cm). There shall be a gasket between individual sections and sections cemented together with mortar on the inside of the manhole.

751-2.5 Corrugated metal. Corrugated metal shall conform to the requirements of American Association of State Highway and Transportation Officials (AASHTO) M36.

751-2.6 Frames, covers, and grates. The castings shall conform to one of the following requirements:

- a. ASTM A48, Class 35B: Gray iron castings
- b. ASTM A47: Malleable iron castings
- c. ASTM A27: Steel castings
- d. ASTM A283, Grade D: Structural steel for grates and frames
- e. ASTM A536, Grade 65-45-12: Ductile iron castings
- f. ASTM A897: Austempered ductile iron castings

All castings or structural steel units shall conform to the dimensions shown on the plans and shall be designed to support the loadings, aircraft gear configuration and/or direct loading, specified.

Each frame and cover or grate unit shall be provided with fastening members to prevent it from being dislodged by traffic but which will allow easy removal for access to the structure.

All castings shall be thoroughly cleaned. After fabrication, structural steel units shall be galvanized to meet the requirements of ASTM A123.

751-2.7 Steps. The steps or ladder bars shall be gray or malleable cast iron or galvanized steel. The steps shall be the size, length, and shape shown on the plans and those steps that are not galvanized shall be given a coat of bituminous paint, when directed.

751-2.8 Precast inlet structures. Manufactured in accordance with and conforming to ASTM C1433.

CONSTRUCTION METHODS

751-3.1 Unclassified excavation.

a. The Contractor shall excavate for structures and footings to the lines and grades or elevations, shown on the plans, or as staked by the Engineer. The excavation shall be of sufficient size to permit the placing of the full width and length of the structure or structure footings shown. The elevations of the bottoms of footings, as shown on the plans, shall be considered as approximately only; and the Engineer may direct, in writing, changes in dimensions or elevations of footings necessary for a satisfactory foundation.

b. Boulders, logs, or any other objectionable material encountered in excavation shall be removed. All rock or other hard foundation material shall be cleaned of all loose material and cut to a firm surface either level, stepped, or serrated, as directed by the Engineer. All seams or crevices shall be cleaned out and grouted. All loose and disintegrated rock and thin strata shall be removed. Where concrete will rest on a surface other than rock, the bottom of the excavation shall not be disturbed and excavation to final grade shall not be made until immediately before the concrete or reinforcing is placed.

c. The Contractor shall do all bracing, sheathing, or shoring necessary to implement and protect the excavation and the structure as required for safety or conformance to governing laws. The cost of bracing, sheathing, or shoring shall be included in the unit price bid for the structure.

d. All bracing, sheathing, or shoring involved in the construction of this item shall be removed by the Contractor after the completion of the structure. Removal shall not disturb or damage finished masonry. The cost of removal shall be included in the unit price bid for the structure.

e. After excavation is completed for each structure, the Contractor shall notify the Engineer. No concrete or reinforcing steel shall be placed until the Engineer has approved the depth of the excavation and the character of the foundation material.

751-3.2 Brick structures.

a. Foundations. A prepared foundation shall be placed for all brick structures after the foundation excavation is completed and accepted. Unless otherwise specified, the base shall consist of reinforced concrete mixed, prepared, and placed in accordance with the requirements of Item P-610.

b. Laying brick. All brick shall be clean and thoroughly wet before laying so that they will not absorb any appreciable amount of additional water at the time they are laid. All brick shall be laid in freshly made mortar. Mortar not used within 45 minutes after water has been added shall be discarded. Retempering of mortar shall not be permitted. An ample layer of mortar shall be spread on the beds and a shallow furrow shall be made in it that can be readily closed by the laying of the brick. All bed and head joints shall be filled solid with mortar. End joints of stretchers and side or cross joints of headers shall be fully buttered with mortar and a shoved joint made to squeeze out mortar at the top of the joint. Any bricks that may be loosened after the mortar has taken its set, shall be removed, cleaned, and relaid with fresh mortar. No broken or chipped brick shall be used in the face, and no spalls or bats shall be used except where necessary to shape around irregular openings or edges; in which case, full bricks shall be placed at ends or corners where possible, and the bats shall be used in the interior of the course. In making closures, no piece of brick shorter than the width of a whole brick shall be used; and wherever practicable, whole brick shall be used and laid as headers.

c. Joints. All joints shall be filled with mortar at every course. Exterior faces shall be laid up in advance of backing. Exterior faces shall be plastered or parged with a coat of mortar not less than 3/8 inch (9 mm) thick before the backing is laid up. Prior to parging, all joints on the back of face courses shall be

cut flush. Unless otherwise noted, joints shall be not less than 1/4 inch (6 mm) nor more than 1/2 inch (12 mm) wide and the selected joint width shall be maintained uniform throughout the work.

d. Pointing. Face joints shall be neatly struck, using the weather-struck joint. All joints shall be finished properly as the laying of the brick progresses. When nails or line pins are used the holes shall be immediately plugged with mortar and pointed when the nail or pin is removed.

e. Cleaning. Upon completion of the work all exterior surfaces shall be thoroughly cleaned by scrubbing and washing with water. If necessary to produce satisfactory results, cleaning shall be done with a 5% solution of muriatic acid which shall then be rinsed off with liberal quantities of water.

f. Curing and cold weather protection. The brick masonry shall be protected and kept moist for at least 48 hours after laying the brick. Brick masonry work or pointing shall not be done when there is frost on the brick or when the air temperature is below 50°F (10°C) unless the Contractor has, on the project ready to use, suitable covering and artificial heating devices necessary to keep the atmosphere surrounding the masonry at a temperature of not less than 60°F (16°C) for the duration of the curing period.

751-3.3 Concrete structures. Concrete structures shall be built on prepared foundations, conforming to the dimensions and shape indicated on the plans. The construction shall conform to the requirements specified in Item P-610. Any reinforcement required shall be placed as indicated on the plans and shall be approved by the Engineer before the concrete is placed.

All invert channels shall be constructed and shaped accurately to be smooth, uniform, and cause minimum resistance to flowing water. The interior bottom shall be sloped to the outlet.

751-3.4 Precast concrete structures. Precast concrete structures shall conform to ASTM C478. Precast concrete structures shall be constructed on prepared or previously placed slab foundations conforming to the dimensions and locations shown on the plans. All precast concrete sections necessary to build a completed structure shall be furnished. The different sections shall fit together readily. Joints between precast concrete risers and tops shall be full-bedded in cement mortar and shall be smoothed to a uniform surface on both interior and exterior of the structure. The top of the upper precast concrete section shall be suitably formed and dimensioned to receive the metal frame and cover or grate, or other cap, as required. Provision shall be made for any connections for lateral pipe, including drops and leads that may be installed in the structure. The flow lines shall be smooth, uniform, and cause minimum resistance to flow. The metal steps that are embedded or built into the side walls shall be aligned and placed at vertical intervals of 12 inches (300 mm). When a metal ladder replaces the steps, it shall be securely fastened into position.

751-3.5 Corrugated metal structures. Corrugated metal structures shall be prefabricated. All standard or special fittings shall be furnished to provide pipe connections or branches with the correct dimensions and of sufficient length to accommodate connecting bands. The fittings shall be welded in place to the metal structures. The top of the metal structure shall be designed so that either a concrete slab or metal collar may be attached to allow the fastening of a standard metal frame and grate or cover. Steps or ladders shall be furnished as shown on the plans. Corrugated metal structures shall be constructed on prepared foundations, conforming to the dimensions and locations as shown on the plans. When indicated, the structures shall be placed on a reinforced concrete base.

751-3.6 Inlet and outlet pipes. Inlet and outlet pipes shall extend through the walls of the structures a sufficient distance beyond the outside surface to allow for connections. They shall be cut off flush with the wall on the inside surface of the structure, unless otherwise directed. For concrete or brick structures, mortar shall be placed around these pipes to form a tight, neat connection.

751-3.7 Placement and treatment of castings, frames, and fittings. All castings, frames, and fittings shall be placed in the positions indicated on the plans or as directed by the Engineer, and shall be set true

to line and elevation. If frames or fittings are to be set in concrete or cement mortar, all anchors or bolts shall be in place before the concrete or mortar is placed. The unit shall not be disturbed until the mortar or concrete has set.

When frames or fittings are placed on previously constructed masonry, the bearing surface of the masonry shall be brought true to line and grade and shall present an even bearing surface so the entire face or back of the unit will come in contact with the masonry. The unit shall be set in mortar beds and anchored to the masonry as indicated on the plans or as directed by the Engineer. All units shall set firm and secure.

After the frames or fittings have been set in final position, the concrete or mortar shall be allowed to harden for seven (7) days before the grates or covers are placed and fastened down.

751-3.8 Installation of steps. The steps shall be installed as indicated on the plans or as directed by the Engineer. When the steps are to be set in concrete, they shall be placed and secured in position before the concrete is placed. When the steps are installed in brick masonry, they shall be placed as the masonry is being built. The steps shall not be disturbed or used until the concrete or mortar has hardened for at least seven (7) days. After seven (7) days, the steps shall be cleaned and painted, unless they have been galvanized.

When steps are required with precast concrete structures, they shall be cast into the side of the sections at the time the sections are manufactured or set in place after the structure is erected by drilling holes in the concrete and cementing the steps in place.

When steps are required with corrugated metal structures, they shall be welded into aligned position at a vertical spacing of 12 inches (300 mm).

Instead of steps, prefabricated ladders may be installed. For brick or concrete structures, the ladder shall be held in place by grouting the supports in drilled holes. For metal structures, the ladder shall be secured by welding the top support to the structure and grouting the bottom support into drilled holes in the foundation or as directed by the Engineer.

751-3.9 Backfilling.

a. After a structure has been completed, the area around it shall be backfilled with approved material, in horizontal layers not to exceed 8 inches (200 mm) in loose depth, and compacted to the density required in Item P-152. Each layer shall be deposited evenly around the structure to approximately the same elevation. The top of the fill shall meet the elevation shown on the plans or as directed by the Engineer.

b. Backfill shall not be placed against any structure until approved by the Engineer. For concrete structures, approval shall not be given until the concrete has been in place seven (7) days, or until tests establish that the concrete has attained sufficient strength to withstand any pressure created by the backfill and placing methods.

c. Backfill shall not be measured for direct payment. Performance of this work shall be considered an obligation of the Contractor covered under the contract unit price for the structure involved.

When structures are located within the runway safety area, POFA, RPZ, etc., the elevation of the structures shall be set to meet the grading requirements of these areas. Structures shall not exceed 3 inches (75 mm) above the elevation the surrounding areas.

751-3.10 Cleaning and restoration of site. After the backfill is completed, the Contractor shall dispose of all surplus material, dirt, and rubbish from the site. Surplus dirt may be deposited in embankments, shoulders, or as approved by the Engineer. The Contractor shall restore all disturbed areas to their original condition. The Contractor shall remove all tools and equipment, leaving the entire site free, clear, and in good condition.

METHOD OF MEASUREMENT

751-4.1 Manholes, catch basins, inlets, and inspection holes shall be measured by the unit.

BASIS OF PAYMENT

751-5.1 The accepted quantities of manholes, catch basins, inlets, and inspection holes will be paid for at the contract unit price per each in place when completed. This price shall be full compensation for furnishing all materials and for all preparation, excavation, backfilling and placing of the materials; furnishing and installation of such specials and connections to pipes and other structures as may be required to complete the item as shown on the plans; and for all labor equipment, tools and incidentals necessary to complete the structure.

Payment will be made under:

Item D-751-5.1	Manholes - per each
Item D-751-5.2	Catch Basins - per each
Item D-751-5.3	Inlets - per each
Item D-751-5.4	Inspection Holes - per each

MATERIAL REQUIREMENT

ASTM A27	Standard Specification for Steel Castings, Carbon, for General Application
ASTM A47	Standard Specification for Ferritic Malleable Iron Castings
ASTM A48	Standard Specification for Gray Iron Castings
ASTM A123	Standard Specification for Zinc (Hot-Dip Galvanized) Coatings on Iron and Steel Products
ASTM A283	Standard Specification for Low and Intermediate Tensile Strength Carbon Steel Plates
ASTM A536	Standard Specification for Ductile Iron Castings
ASTM A897	Standard Specification for Austempered Ductile Iron Castings
ASTM C32	Standard Specification for Sewer and Manhole Brick (Made from Clay or Shale)
ASTM C144	Standard Specification for Aggregate for Masonry Mortar
ASTM C150	Standard Specification for Portland Cement
ASTM C478	Standard Specification for Precast Reinforced Concrete Manhole Sections
ASTM C1433	Standard Specification for Precast Reinforced Concrete Monolithic Box Sections for Culverts, Storm Drains, and Sewers

AASHTO M36

Standard Specification for Corrugated Steel Pipe, Metallic-Coated, for Sewers and Drains

END OF ITEM D-751

Item D-752 Concrete Culverts, Headwalls, and Miscellaneous Drainage Structures

DESCRIPTION

752-1.1 This item shall consist of [plain] [reinforced] concrete culverts, headwalls, and miscellaneous drainage structures constructed in accordance with these specifications, at the specified locations and conforming to the lines, grades, and dimensions shown on the plans or required by the Engineer.

MATERIALS

752-2.1 Concrete. [Plain] [Reinforced] concrete shall meet the requirements of Item P-610.

CONSTRUCTION METHODS

752-3.1 Unclassified excavation.

a. Trenches and foundation pits for structures or structure footings shall be excavated to the lines and grades and elevations shown on the plans. The excavation shall be of sufficient size to permit the placing of the full width and length of the structure or structure footings shown. The elevations of the bottoms of footings, as shown on the plans, shall be considered as approximate only; and the Engineer may approve, in writing, changes in dimensions or elevations of footings necessary to secure a satisfactory foundation.

b. Boulders, logs, or any other objectionable material encountered in excavation shall be removed. All rock or other hard foundation material shall be cleaned of all loose material and cut to a firm surface either level, stepped, or serrated, as directed by the Engineer. All seams or crevices shall be cleaned out and grouted. All loose and disintegrated rock and thin strata shall be removed. When concrete will rest on a surface other than rock, the bottom of the excavation shall not be disturbed and excavation to final grade shall not be made until immediately before the concrete or reinforcing steel is placed.

c. The Contractor shall do all bracing, sheathing, or shoring necessary to perform and protect the excavation and the structure as required for safety or conformance to governing laws. The cost of bracing, sheathing, or shoring shall be included in the unit price bid for excavation.

d. All bracing, sheathing, or shoring shall be removed by the Contractor after the completion of the structure. Removal shall be not disturb or damage the finished concrete. The cost of removal shall be included in the unit price bid for excavation.

e. After each excavation is completed, the Contractor shall notify the Engineer. No concrete or reinforcing steel shall be placed until the Engineer has approved the depth of the excavation and the character of the foundation material.

752-3.2 Backfilling.

a. After a structure has been completed, backfilling with approved material shall be accomplished by applying the fill in horizontal layers not to exceed 8 inches (200 mm) in loose depth, and compacted. The field density of the compacted material shall be at least 90% of the maximum density for cohesive soils and 95% of the maximum density for noncohesive soils. The maximum density shall be determined in accordance with ASTM D698. The field density shall be determined in accordance with ASTM D1556.

b. No backfilling shall be placed against any structure until approved by the Engineer. For concrete, approval shall not be given until the concrete has been in place seven (7) days, or until tests establish that the concrete has attained sufficient strength to withstand any pressure created by the backfill or the placement methods.

c. Fill placed around concrete culverts shall be deposited on each side at the same time and to approximately the same elevation. All slopes bounding or within the areas to be backfilled shall be stepped or serrated to prevent wedge action against the structure.

d. Backfill will not be measured for direct payment. Performance of this work shall be considered as a subsidiary obligation of the Contractor, covered under the contract unit price for “unclassified excavation for structures.”

752-3.3 Weep holes. Weep holes shall be constructed as shown on the plans.

752-3.4 Cleaning and restoration of site. After the backfill is completed, the Contractor shall dispose of all surplus material, dirt, and rubbish from the site. Surplus dirt may be deposited in embankment, shoulders, or as approved by the Engineer. The Contractor shall restore all disturbed areas to their original condition. The Contractor shall remove all tools and equipment, leaving the entire site free, clear, and in good condition.

METHOD OF MEASUREMENT

752-4.1 The quantity of unclassified excavation for structures shall be the number of cubic yards (cubic meters), measured in original position, of material excavated in accordance with the plans, or as approved by the Engineer; but in no case shall any yardage be included in the measurement for payment which is outside of a volume bounded by vertical planes 18 inches (0.5 m) outside of and parallel to the neat lines of the footings.

752-4.2 Concrete shall be measured by the number of cubic yards (cubic meters) of concrete, complete in place and accepted. In computing the yardage of concrete for payment, the dimensions used shall be those shown on the plans or approved by the Engineer. No measurements or other allowances shall be made for forms, false work, cofferdams, pumping, bracing, expansion joints, or finishing of the concrete. No deductions in yardage shall be made for the volumes of reinforcing steel or embedded items.

752-4.3 The quantity of reinforcing steel shall be the calculated theoretical number of pounds (km) placed as shown on the plans, complete in place and accepted. The unit weight used for deformed bars shall be the weight of plain square or round bars, as the case may be, of equal nominal size.

BASIS OF PAYMENT

752-5.1 Payment will be made at the contract unit price per cubic yard (cubic meter) for unclassified excavation for structures; at the contract unit price per cubic yard (cubic meter) for concrete for the structures; and at the contract unit price per pound (km) for reinforcing steel. These prices shall be full compensation for furnishing all materials and for all preparation, excavation, and placing the materials, and for all labor, equipment, tools, and incidentals necessary to complete the structure.

Payment will be made under:

- | | |
|----------------|---|
| Item D-752-5.1 | Unclassified Excavation for Structures - per cubic yard (cubic meter) |
| Item D-752-5.2 | Structural Concrete - per cubic yard (cubic meter) |
| Item D-752-5.3 | Reinforcing Steel - per pound (km) |

TESTING REQUIREMENTS

ASTM D698	Standard Test Methods for Laboratory Compaction Characteristics of Soil Using Standard Effort (12,400 ft-lb/ft ³ (600 kN-m/m ³))
ASTM D1556	Standard Test Method for Density and Unit Weight of Soil in Place by the Sand-Cone Method

END OF ITEM D-752

Intentionally Left Blank

Item D-754 Concrete Gutters, Ditches, and Flumes

DESCRIPTION

754-1.1 This item shall consist of Portland cement concrete gutters, ditches, and flumes constructed in accordance with these specifications at the specified locations in accordance with the dimensions, lines, and grades as shown on the plans.

MATERIALS

754-2.1 Concrete. Plain and reinforced concrete shall meet the requirements of Item P-610.

754-2.2 Joints. Joint filler materials and premolded joint material shall conform to Item P-610.

CONSTRUCTION METHODS

754-3.1 Preparing subgrade. Excavation shall be made to the required width and depth, and the subgrade upon which the item is to be built shall be compacted to a firm uniform grade. All soft and unsuitable material shall be removed and replaced with suitable approved material. When required, a layer of approved granular material, compacted to the thickness indicated on the plans, shall be placed to form a subbase. The underlying course shall be checked and accepted by the Engineer before placing and spreading operations are started.

754-3.2 Placing. The forms and the mixing, placing, finishing, and curing of concrete shall conform to the requirements of Item P-610 and the following requirements.

The concrete shall be tamped until it is consolidated and mortar covers the top surface. The surface of the concrete shall be floated smooth and the edges rounded to the radii shown on the plans. Before the concrete is given the final finishing, the surface shall be tested with a 12-foot (3.7-m) straightedge, and any irregularities of more than 1/4 inch (6 mm) in 12-foot (3.7-m) shall be eliminated.

The concrete shall be placed with dummy-grooved joints not to exceed 25 feet (7.5 m) apart and no section shall be less than 4 feet (1.2 m) long.

Expansion joints of the type called for in the plans shall be constructed to replace dummy groove joints at spacings of approximately 100 feet (30 m). When the gutter is placed next to concrete pavement, expansion joints in the gutter shall be located opposite expansion joints in the pavement. When a gutter abuts a pavement or other structure, an expansion joint shall be placed between the gutter and the other structure.

Forms shall not be removed within 24 hours after the concrete has been placed. Minor defects shall be repaired with mortar containing one (1) part cement and two (2) parts fine aggregate.

Depositing, compacting, and finishing the item shall be conducted to build a satisfactory structure. If any section of concrete is found to be porous, or is otherwise defective, it shall be removed and replaced by the Contractor without additional compensation.

754-3.3 Backfilling. After the concrete has set sufficiently, the spaces adjacent to the structure shall be refilled to the required elevation with material specified on the plans and compacted by mechanical

equipment to at least 90% of the maximum density as determined by ASTM D698. The in-place density shall be determined in accordance with ASTM D1556.

754-3.4 Cleaning and restoration of site. After the backfill is completed, the Contractor shall dispose of all surplus material, dirt, and rubbish from the site. Surplus dirt may be deposited in embankments, shoulders, or as ordered by the Engineer. The Contractor shall restore all disturbed areas to their original condition. The Contractor shall remove all tools and equipment, leaving the entire site free, clear and in good condition.

Performance of the work described in this section shall be considered as a subsidiary obligation of the Contractor, covered under the contract unit price for the structure.

METHOD OF MEASUREMENT

754-4.1 Concrete shall be measured by the cubic yard (cubic meter) in accordance with the dimensions shown on the plans or ordered by the Engineer. No deductions shall be made for the volume occupied by reinforcing steel, anchors, conduits, weep holes, or piling.

754-4.2 Reinforcing steel shall be measured by the pound (kg), based on the theoretical number of pounds (kg) complete in place as shown on the plans or placed as ordered by the Engineer.

BASIS OF PAYMENT

754-5.1 The accepted quantities of structural concrete will be paid for at the contract unit price per cubic yard (cubic meter) complete in place.

754-5.2 The accepted quantities of reinforcing steel will be paid for at the contract price per pound (kg) complete in place. No allowance shall be made for clips, wire, or other material used for fastening reinforcement in place.

Payment will be made under:

Item D-754-5.1	Structural Concrete - per cubic yard (cubic meter)
Item D-754-5.2	Reinforcing Steel - per pound (kg)

TESTING REQUIREMENTS

ASTM D698	Standard Test Methods for Laboratory Compaction Characteristics of Soil Using Standard Effort (12,400 ft-lb/ft ³ (600 kN-m/m ³))
ASTM D1556	Standard Test Method for Density and Unit Weight of Soil in Place by the Sand-Cone Method

END OF ITEM D-754

Part 10 – Turfing

Wildlife Hazard Attractants and Mitigation: Through the appropriate selection of turf materials for the project(s), the Engineer must address the elimination and/or mitigation of materials that could attract hazardous wildlife on and/or around an airport. The Engineer should refer to the following documents and sites for guidance on wildlife hazards at Airports for all projects:

(1) Advisory circular (AC) 150/5200-33, Hazardous Wildlife Attractants on or Near Airports, contains guidance on certain land uses that have the potential to attract hazardous wildlife on or near airports. The AC is available at: http://www.faa.gov/airports/resources/advisory_circulars/.

(2) Wildlife Hazard Management at Airports, A Manual for Airport Personnel, is available at: http://www.faa.gov/airports/airport_safety/wildlife/problem/media/2005_FAA_Manual_complete.pdf.

(3) Additional information on wildlife issues can be found on the FAA Guidance on Wildlife website at: http://www.faa.gov/airports/airport_safety/wildlife/guidance

Item T-901 Seeding

Engineer may specify that seeding be constructed in accordance with state specifications. All referenced state specifications must be included in project specifications.

The United States Department of Agriculture (USDA) / Animal and Plant Health Inspection Service (APHIS) / Wildlife Service staff should be consulted to ensure seed recommended is not a hazardous wildlife attractant.

DESCRIPTION

901-1.1 This item shall consist of soil preparation, seeding [___] the areas shown on the plans or as directed by the Engineer in accordance with these specifications.

The Engineer shall specify fertilizing or liming or both as needed for a specific project.

MATERIALS

901-2.1 Seed. The species and application rates of grass, legume, and cover-crop seed furnished shall be those stipulated herein. Seed shall conform to the requirements of Federal Specification JJJ-S-181, Federal Specification, Seeds, Agricultural.

Seed shall be furnished separately or in mixtures in standard containers labeled in conformance with the Agricultural Marketing Service (AMS) Seed Act and applicable state seed laws with the seed name, lot number, net weight, percentages of purity and of germination and hard seed, and percentage of maximum weed seed content clearly marked for each kind of seed. The Contractor shall furnish the Engineer duplicate signed copies of a statement by the vendor certifying that each lot of seed has been tested by a recognized laboratory for seed testing within six (6) months of date of delivery. This statement shall include: name and address of laboratory, date of test, lot number for each kind of seed, and the results of tests as to name, percentages of purity and of germination, and percentage of weed content for each kind of seed furnished, and, in case of a mixture, the proportions of each kind of seed. Wet, moldy, or otherwise damaged seed will be rejected.

Seeds shall be applied as follows:

Seed	Minimum Seed Purity (Percent)	Minimum Germination (Percent)	Rate of Application lb/acre (or lb/1,000 S.F.)
*	*	*	*
*	*	*	*

Seeding shall be performed during the period between [] and [] inclusive, unless otherwise approved by the Engineer.

Seeding dates, species and seeding rates must be specified that are compatible with local climate and soil conditions. Due consideration must be given to longevity of plants, resistance to traffic and erosion, and attraction of birds or large animals. More than one seeding season may be specified, if appropriate. Local offices of the USDA Natural Resources Conservation Service (NRCS) and/or the State University Agricultural Cooperative Extension Office (County Agent or equivalent) shall be consulted for assistance and recommendations. These agencies shall also be consulted for liming and fertilizer recommendations.

The USDA-APHIS-Wildlife Service staff should be consulted to ensure seed recommended is not a hazardous wildlife attractant.

901-2.2 Lime. Lime shall be ground limestone containing not less than 85% of total carbonates, and shall be ground to such fineness that 90% will pass through a No. 20 mesh sieve and 50% will pass through a No. 100 mesh sieve. Coarser material will be acceptable, providing the rates of application are increased

to provide not less than the minimum quantities and depth specified in the special provisions on the basis of the two sieve requirements above. Dolomitic lime or a high magnesium lime shall contain at least 10% of magnesium oxide. Lime shall be applied at the rate of [___]. All liming materials shall conform to the requirements of ASTM C602.

The Engineer shall specify the application rate in pounds per acre.

901-2.3 Fertilizer. Fertilizer shall be standard commercial fertilizers supplied separately or in mixtures containing the percentages of total nitrogen, available phosphoric acid, and water-soluble potash. They shall be applied at the rate and to the depth specified, and shall meet the requirements of applicable state laws. They shall be furnished in standard containers with name, weight, and guaranteed analysis of contents clearly marked thereon. No cyanamide compounds or hydrated lime shall be permitted in mixed fertilizers.

The fertilizers may be supplied in one of the following forms:

- a. A dry, free-flowing fertilizer suitable for application by a common fertilizer spreader;
- b. A finely-ground fertilizer soluble in water, suitable for application by power sprayers; or
- c. A granular or pellet form suitable for application by blower equipment.

Fertilizers shall be [___] commercial fertilizer and shall be spread at the rate of [___].

The Engineer shall specify the analysis and the application rate in pounds per acre.

Check with the local Agricultural Cooperative Extension Office for recommended fertilizer mixture for local conditions.

Paragraphs 2.2 and 2.3 shall be deleted if not applicable.

901-2.4 Soil for repairs. The soil for fill and topsoiling of areas to be repaired shall be at least of equal quality to that which exists in areas adjacent to the area to be repaired. The soil shall be relatively free from large stones, roots, stumps, or other materials that will interfere with subsequent sowing of seed, compacting, and establishing turf, and shall be approved by the Engineer before being placed.

CONSTRUCTION METHODS

901-3.1 Advance preparation and cleanup. After grading of areas has been completed and before applying fertilizer and ground limestone, areas to be seeded shall be raked or otherwise cleared of stones larger than 2 inches (50 mm) in any diameter, sticks, stumps, and other debris that might interfere with sowing of seed, growth of grasses, or subsequent maintenance of grass-covered areas. If any damage by erosion or other causes has occurred after the completion of grading and before beginning the application of fertilizer and ground limestone, the Contractor shall repair such damage include filling gullies, smoothing irregularities, and repairing other incidental damage.

An area to be seeded shall be considered a satisfactory seedbed without additional treatment if it has recently been thoroughly loosened and worked to a depth of not less than 5 inches (125 mm) as a result of

grading operations and, if immediately prior to seeding, the top 3 inches (75 mm) of soil is loose, friable, reasonably free from large clods, rocks, large roots, or other undesirable matter, and if shaped to the required grade.

When the area to be seeded is sparsely sodded, weedy, barren and unworked, or packed and hard, any grass and weeds shall first be cut or otherwise satisfactorily disposed of, and the soil then scarified or otherwise loosened to a depth not less than 5 inches (125 mm). Clods shall be broken and the top 3 inches (75 mm) of soil shall be worked into a satisfactory seedbed by discing, or by use of cultipackers, rollers, drags, harrows, or other appropriate means.

901-3.2 Dry application method.

a. Liming. Lime shall be applied separately and prior to the application of any fertilizer or seed and only on seedbeds that have previously been prepared as described above. The lime shall then be worked into the top 3 inches (75 mm) of soil after which the seedbed shall again be properly graded and dressed to a smooth finish.

b. Fertilizing. Following advance preparations and cleanup fertilizer shall be uniformly spread at the rate that will provide not less than the minimum quantity stated in paragraph 901-2.3.

Delete paragraphs a. and b. if not applicable.

c. Seeding. Grass seed shall be sown at the rate specified in paragraph 901-2.1 immediately after fertilizing. The fertilizer and seed shall be raked within the depth range stated in the special provisions. Seeds of legumes, either alone or in mixtures, shall be inoculated before mixing or sowing, in accordance with the instructions of the manufacturer of the inoculant. When seeding is required at other than the seasons shown on the plans or in the special provisions, a cover crop shall be sown by the same methods required for grass and legume seeding.

d. Rolling. After the seed has been properly covered, the seedbed shall be immediately compacted by means of an approved lawn roller, weighing 40 to 65 pounds per foot (60 to 97 kg per meter) of width for clay soil (or any soil having a tendency to pack), and weighing 150 to 200 pounds per foot (223 to 298 kg per meter) of width for sandy or light soils.

901-3.3 Wet application method.

a. General. The Contractor may elect to apply seed and fertilizer (and lime, if required) by spraying them on the previously prepared seedbed in the form of an aqueous mixture and by using the methods and equipment described herein. The rates of application shall be as specified in the special provisions.

b. Spraying equipment. The spraying equipment shall have a container or water tank equipped with a liquid level gauge calibrated to read in increments not larger than 50 gallons (190 liters) over the entire range of the tank capacity, mounted so as to be visible to the nozzle operator. The container or tank shall also be equipped with a mechanical power-driven agitator capable of keeping all the solids in the mixture in complete suspension at all times until used.

The unit shall also be equipped with a pressure pump capable of delivering 100 gallons (380 liters) per minute at a pressure of 100 lb / sq inches (690 kPa). The pump shall be mounted in a line that will recirculate the mixture through the tank whenever it is not being sprayed from the nozzle. All pump passages and pipe lines shall be capable of providing clearance for 5/8 inch (16 mm) solids. The power unit for the pump and agitator shall have controls mounted so as to be accessible to the nozzle operator.

There shall be an indicating pressure gauge connected and mounted immediately at the back of the nozzle.

The nozzle pipe shall be mounted on an elevated supporting stand in such a manner that it can be rotated through 360 degrees horizontally and inclined vertically from at least 20 degrees below to at least 60 degrees above the horizontal. There shall be a quick-acting, three-way control valve connecting the recirculating line to the nozzle pipe and mounted so that the nozzle operator can control and regulate the amount of flow of mixture delivered to the nozzle. At least three different types of nozzles shall be supplied so that mixtures may be properly sprayed over distance varying from 20 to 100 feet (6 to 30 m). One shall be a close-range ribbon nozzle, one a medium-range ribbon nozzle, and one a long-range jet nozzle. For case of removal and cleaning, all nozzles shall be connected to the nozzle pipe by means of quick-release couplings.

In order to reach areas inaccessible to the regular equipment, an extension hose at least 50 feet (15 m) in length shall be provided to which the nozzles may be connected.

c. Mixtures. Lime, if required, shall be applied separately, in the quantity specified, prior to the fertilizing and seeding operations. Not more than 220 pounds (100 kg) of lime shall be added to and mixed with each 100 gallons (380 liters) of water. Seed and fertilizer shall be mixed together in the relative proportions specified, but not more than a total of 220 pounds (100 kg) of these combined solids shall be added to and mixed with each 100 gallons (380 liters) of water.

All water used shall be obtained from fresh water sources and shall be free from injurious chemicals and other toxic substances harmful to plant life. Brackish water shall not be used at any time. The Contractor shall identify to the Engineer all sources of water at least two (2) weeks prior to use. The Engineer may take samples of the water at the source or from the tank at any time and have a laboratory test the samples for chemical and saline content. The Contractor shall not use any water from any source that is disapproved by the Engineer following such tests.

All mixtures shall be constantly agitated from the time they are mixed until they are finally applied to the seedbed. All such mixtures shall be used within two (2) hours from the time they were mixed or they shall be wasted and disposed of at approved locations.

d. Spraying. Lime, if required, shall be sprayed only upon previously prepared seedbeds. After the applied lime mixture has dried, the lime shall be worked into the top 3 inches (75 mm), after which the seedbed shall again be properly graded and dressed to a smooth finish.

Mixtures of seed and fertilizer shall only be sprayed upon previously prepared seedbeds on which the lime, if required, shall already have been worked in. The mixtures shall be applied by means of a high-pressure spray that shall always be directed upward into the air so that the mixtures will fall to the ground like rain in a uniform spray. Nozzles or sprays shall never be directed toward the ground in such a manner as might produce erosion or runoff.

Particular care shall be exercised to ensure that the application is made uniformly and at the prescribed rate and to guard against misses and overlapped areas. Proper predetermined quantities of the mixture in accordance with specifications shall be used to cover specified sections of known area.

Checks on the rate and uniformity of application may be made by observing the degree of wetting of the ground or by distributing test sheets of paper or pans over the area at intervals and observing the quantity of material deposited thereon.

On surfaces that are to be mulched as indicated by the plans or designated by the Engineer, seed and fertilizer applied by the spray method need not be raked into the soil or rolled. However, on surfaces on which mulch is not to be used, the raking and rolling operations will be required after the soil has dried.

901-3.4 Maintenance of seeded areas. The Contractor shall protect seeded areas against traffic or other use by warning signs or barricades, as approved by the Engineer. Surfaces gullied or otherwise damaged following seeding shall be repaired by regrading and reseeding as directed. The Contractor shall mow, water as directed, and otherwise maintain seeded areas in a satisfactory condition until final inspection and acceptance of the work.

When either the dry or wet application method outlined above is used for work done out of season, it will be required that the Contractor establish a good stand of grass of uniform color and density to the satisfaction of the Engineer. A grass stand shall be considered adequate when bare spots are one square foot (0.01 sq m) or less, randomly dispersed, and do not exceed 3% of the area seeded.

METHOD OF MEASUREMENT

901-4.1 The quantity of seeding to be paid for shall be the number of units [1,000 square feet (sq m)] [acre (sq m)] measured on the ground surface, completed and accepted.

BASIS OF PAYMENT

901-5.1 Payment shall be made at the contract unit price per [1,000 square feet (sq m)] [acre (sq m)] or fraction thereof, which price and payment shall be full compensation for furnishing and placing all material and for all labor, equipment, tools, and incidentals necessary to complete the work prescribed in this item.

Payment will be made under:

Item 901-5.1 Seeding - per [1,000 square feet (sq m)] [acre (sq m)]

MATERIAL REQUIREMENTS

ASTM C602	Standard Specification for Agricultural Liming Materials
ASTM D977	Standard Specification for Emulsified Asphalt
FED SPEC	JJJ-S-181, Federal Specification, Seeds, Agricultural

END OF ITEM T-901

Item T-903 Sprigging

Engineer may specify that sprigging be constructed in accordance with state specifications. All referenced state specifications must be included in project specifications.

DESCRIPTION

903-1.1 This item shall consist of planting sprigs of living grass plants at the locations shown on the plans or as directed by the Engineer in accordance with these specifications.

MATERIALS

903-2.1 Sprigs. Sprigs shall be healthy living stems (stolons or rhizomes), of the grass species stated in the special provisions, harvested without adhering soil and obtained from sources where the sod is heavy and thickly matted. The presence of weeds or other material that might be detrimental to the proposed planting will be cause for rejection of sprigs.

903-2.2 Lime. Lime shall be ground limestone containing not less than 85% of total carbonates, and shall be ground to such fineness that 90% will pass through a No. 20 mesh sieve and 50% will pass through a No. 100 mesh sieve. Coarser material will be acceptable, providing the rates of application are increased to provide not less than the minimum quantities and depth specified in the special provisions on the basis of the two sieve requirements above. Dolomitic lime or a high magnesium lime shall contain at least 10% of magnesium oxide. Lime shall be applied at the rate of [____]. All liming materials shall conform to the requirements of ASTM C602.

The Engineer shall specify the application rate in pounds per acre.

903-2.3 Fertilizer. Fertilizer shall be standard commercial fertilizers supplied separately or in mixtures containing the percentages of total nitrogen, available phosphoric acid, and water-soluble potash. They shall be applied at the rate and to the depth specified, and shall meet the requirements of applicable state laws. They shall be furnished in standard containers with name, weight, and guaranteed analysis of contents clearly marked thereon. No cyanamide compounds or hydrated lime shall be permitted in mixed fertilizers.

The fertilizers may be supplied in one of the following forms:

- a. A dry, free-flowing fertilizer suitable for application by a common fertilizer spreader;
- b. A finely-ground fertilizer soluble in water, suitable for application by power sprayers; or
- c. A granular or pellet form suitable for application by blower equipment.

Fertilizers shall be [] commercial fertilizer and shall be spread at the rate of [].

The Engineer shall specify the analysis and the application rate in pounds per acre.

Check with the local Agricultural Cooperative Extension Office for recommended fertilizer mixture for local conditions.

The United States Department of Agriculture (USDA) / Animal and Plant Health Inspection Service (APHIS) / Wildlife Service staff should be consulted to ensure sprigging stock recommended is not a hazardous wildlife attractant.

Paragraphs 903-2.2 and 903-2.3 shall be deleted if not applicable.

903-2.4 Water. All water used shall be sufficiently free from oil, acid, alkali, salt, or other harmful materials that would inhibit the growth of grass. Brackish water shall not be used at any time. It shall be subject to the approval of the Engineer prior to use.

903-2.5 Soil for repairs. The soil for fill and topsoiling of areas to be repaired shall be at least of equal quality to that which exists in areas adjacent to the area to be repaired. The soil shall be relatively free from large stones, roots, stumps, or other materials that will interfere with subsequent sowing of seed, compacting, and establishing turf, and shall be approved by the Engineer before being placed.

CONSTRUCTION METHODS

903-3.1 General. Areas to be sprigged and the location of sprigging material, if available on the site, shall be shown on the plans. Areas requiring special ground surface preparation such as tilling, and those in a satisfactory condition to remain undisturbed, shall also be shown on the plans.

Suitable equipment necessary for proper preparation of the ground surface and for the handling and placing of all required materials shall be on hand, in good condition, and shall be approved by the Engineer before the various operations are started. The Contractor shall demonstrate to the Engineer, before starting the various operations, that the planting and application of required materials will be made at the specified rates.

When weather conditions are such that unsatisfactory results may occur, the work shall be stopped until the desired results can be obtained.

903-3.2 Advance preparation and cleanup. After grading of areas has been completed and before applying fertilizer and limestone, areas to be sprigged shall be raked or otherwise cleared of stones larger than 2 inches (50 mm) in any diameter, sticks, stumps, and other debris which might interfere with sprigging, growth of grasses, or subsequent maintenance of grass-covered areas. If any damage by erosion or other causes has occurred after grading of areas and before beginning the application of fertilizer and ground limestone, the Contractor shall repair such damage including filling gullies, smoothing irregularities, and repairing other incidental damage.

903-3.3 Applying fertilizer and ground limestone. Following advance preparation and cleanup, fertilizer shall be uniformly spread at a rate that will provide not less than the minimum quantity of each fertilizer ingredient as stated in the special provisions. If use of ground limestone is required, it shall then be spread at a rate that will provide not less than the minimum quantity stated in the special provisions. These materials shall be incorporated into the soil to a depth of not less than 2 inches (50 mm) by discing,

raking, or other suitable methods. Any stones larger than 2 inches (50 mm) in any diameter, large clods, roots, and other litter brought to the surface by this operation shall be removed.

In steep slopes where fertilizer and ground limestone cannot be incorporated effectively by mechanical equipment, they may be applied with power sprayers, blower equipment, or other approved method, and need not be incorporated into the soil.

903-3.4 Harvesting sprigs. The sprigs obtained from sources off the site shall be from suitable areas as close as practical to the planting site. Regardless of the source, sprigging material that contains grass and weeds taller than 6 inches (150 mm) shall be mowed to a height of 3 inches (75 mm), and the clippings raked and removed before harvesting begins. Harvesting may be performed by any suitable method, including crisscross cultivation, shallow plowing, or other acceptable methods to thoroughly loosen the sprigs from the soil and to bring them to the surface. After loosening the sprigs from the soil, they shall be gathered in small piles or windrows, watered, and kept moist until planted.

Not more than 24 hours shall elapse between harvesting and planting sprigs, except that, when weather or other uncontrollable conditions interrupt the work, a time extension may be granted, provided the sprigs are still moist and viable. Sprigs that have heated in stockpiles, have become frozen, permitted to dry out, or otherwise seriously damaged during harvesting or delivery shall be rejected and shall be disposed of as directed by the Engineer.

903-3.5 Planting sprigs. Sprigging shall be done only within the periods stipulated in the special provisions. Sprigging shall not be done during windy weather, or when the ground is dry, excessively wet, frozen, or otherwise untillable. If the soil is not moist when the sprigs are being set, water shall be applied until the soil is moist and in a workable condition. One or more of the following methods shall be used, whichever is shown on the plans or stated in the special provisions:

a. Broadcast sprigging. Sprigs shall be broadcast by hand or by suitable equipment in a uniform layer over the prepared surface with spacing between sprigs not to exceed 6 inches (150 mm). The sprigs shall then be forced into the soil to a depth of 2 to 4 inches (50 to 100 mm) with a straight spade or similar tool, or with a disc harrow or other equipment set to cover the sprigs to the required depth.

b. Row sprigging. Furrows shall be opened along the approximate contour of slopes at the spacing and depth stated in the special provisions. Sprigs shall be placed without delay in a continuous row in the open furrow with successive sprigs touching, and they shall be covered immediately.

c. Spot sprigging. Spot sprigging shall be performed as specified under row sprigging, except that groups of four (4) sprigs or more shall be spaced 18 inches (0.5 m) apart in the rows.

903-3.6 Mulching and compacting. After planting of sprigs has been completed and prior to compacting, the surface shall be cleared of stones larger than 2 inches (50 mm) in any diameter, large clods, roots, and other litter brought to the surface during sprigging.

If mulching of sprigged areas is shown on the plans or stated in the special provisions, the sprigged areas shall be covered with mulch in accordance with the requirements of Item T-908 within 24 hours from the time sprigging has been completed, weather and soil conditions permitting.

If mulching is not shown on the plans nor stated in the special provisions, the sprigged area shall be compacted within 24 hours from the time sprigging has been completed, weather and soil conditions permitting, by cultipackers, rollers, or other satisfactory equipment operated at right angles to the slope. Compaction shall not be done when the soil is in such condition that it is picked up by the equipment.

903-3.7 Establishing turf. A stand of turf shall be when there is 95% ground cover of the established species. The Contractor shall be responsible for the proper care of the sprigged areas during the period when the plants are becoming established and he shall protect the sprigged areas against traffic by warning signs or barricades approved by the Engineer. Surfaces gullied or otherwise damaged following

sprigging shall be repaired by regrading and resprigging as directed by the Engineer. The Contractor shall mow, water as directed, and otherwise maintain sprigged areas in a satisfactory condition until final inspection and acceptance of the work.

METHOD OF MEASUREMENT

903-4.1 Sprigging shall be measured by the number of units of 1,000 square feet (100 sq m), measured on the ground surface, completed and accepted.

BASIS OF PAYMENT

903-5.1 Payment will be made at the contract unit price per 1,000 square feet (100 sq m) or fraction thereof. This price shall be full compensation for furnishing and placing all material including any required mulching of sprigged areas, and for all labor, equipment, tools, and incidentals necessary to complete the work prescribed in this item.

Payment will be made under:

Item 903-5.1 Sprigging - per 1,000 square feet (100 sq m)

MATERIAL REQUIREMENTS

ASTM C602 Standard Specification for Agricultural Liming Materials

ASTM D977 Standard Specification for Emulsified Asphalt

END OF ITEM T-903

Item T-904 Sodding

It is acceptable to specify that sodding be constructed in accordance with state specifications. All referenced state specifications must be included in project specifications.

DESCRIPTION

904-1.1 This item shall consist of furnishing, hauling, and placing approved live sod on prepared areas in accordance with this specification at the locations shown on the plans or as directed by the Engineer.

MATERIALS

904-2.1 Sod. Sod furnished by the Contractor shall have a good cover of living or growing grass. This shall be interpreted to include grass that is seasonally dormant during the cold or dry seasons and capable of renewing growth after the dormant period. All sod shall be obtained from areas where the soil is reasonably fertile and contains a high percentage of loamy topsoil. Sod shall be cut or stripped from living, thickly matted turf relatively free of weeds or other undesirable foreign plants, large stones, roots, or other materials that might be detrimental to the development of the sod or to future maintenance. At least 70% of the plants in the cut sod shall be composed of the species stated in the special provisions, and any vegetation more than 6 inches (150 mm) in height shall be mowed to a height of 3 inches (75 mm) or less before sod is lifted. Sod, including the soil containing the roots and the plant growth showing above, shall be cut uniformly to a thickness not less than that stated in the special provisions.

The specific species and varieties used should be based on recommendations of the local Agriculture Cooperative Extension Office. Modify sod thickness as required for species specified. State certified is usually more stringently monitored than State approved.

The United States Department of Agriculture (USDA) / Animal and Plant Health Inspection Service (APHIS) / Wildlife Service staff should be consulted to ensure sod stock recommended is not a hazardous wildlife attractant.

904-2.2 Lime. Lime shall be ground limestone containing not less than 85% of total carbonates, and shall be ground to such fineness that 90% will pass through a No. 20 mesh sieve and 50% will pass through a No. 100 mesh sieve. Coarser material will be acceptable, providing the rates of application are increased to provide not less than the minimum quantities and depth specified in the special provisions on the basis of the two sieve requirements above. Dolomitic lime or a high magnesium lime shall contain at least 10% of magnesium oxide. Lime shall be applied at the rate of [___]. All liming materials shall conform to the requirements of ASTM C602.

The Engineer shall specify the application rate in pounds per acre.

904-2.3 Fertilizer. Fertilizer shall be standard commercial fertilizers supplied separately or in mixtures containing the percentages of total nitrogen, available phosphoric acid, and water-soluble potash. They shall be applied at the rate and to the depth specified, and shall meet the requirements of applicable state laws. They shall be furnished in standard containers with name, weight, and guaranteed analysis of contents clearly marked thereon. No cyanamide compounds or hydrated lime shall be permitted in mixed fertilizers.

The fertilizers may be supplied in one of the following forms:

- a. A dry, free-flowing fertilizer suitable for application by a common fertilizer spreader;
- b. A finely-ground fertilizer soluble in water, suitable for application by power sprayers; or
- c. A granular or pellet form suitable for application by blower equipment.

Fertilizers shall be [] commercial fertilizer and shall be spread at the rate of [].

The Engineer shall specify the analysis and the application rate in pounds per acre.

Check with the local Agricultural Cooperative Extension Office for recommended fertilizer mixture for local conditions.

Paragraphs 904-2.2 and 904-2.3 shall be deleted if not applicable.

904-2.4 Water. The water shall be sufficiently free from oil, acid, alkali, salt, or other harmful materials that would inhibit the growth of grass. It shall be subject to the approval of the Engineer prior to use.

904-2.5 Soil for repairs. The soil for fill and topsoiling of areas to be repaired shall be at least of equal quality to that which exists in areas adjacent to the area to be repaired. The soil shall be relatively free from large stones, roots, stumps, or other materials that will interfere with subsequent sowing of seed, compacting, and establishing turf, and shall be approved by the Engineer before being placed.

CONSTRUCTION METHODS

904-3.1 General. Areas to be solid, strip, or spot sodded shall be shown on the plans. Areas requiring special ground surface preparation such as tilling and those areas in a satisfactory condition that are to remain undisturbed shall also be shown on the plans.

Suitable equipment necessary for proper preparation of the ground surface and for the handling and placing of all required materials shall be on hand, in good condition, and shall be approved by the Engineer before the various operations are started. The Contractor shall demonstrate to the Engineer before starting the various operations that the application of required materials will be made at the specified rates.

904-3.2 Preparing the ground surface. After grading of areas has been completed and before applying fertilizer and limestone, areas to be sodded shall be raked or otherwise cleared of stones larger than 2 inches (50 mm) in any diameter, sticks, stumps, and other debris which might interfere with sodding,

growth of grasses, or subsequent maintenance of grass-covered areas. If any damage by erosion or other causes occurs after grading of areas and before beginning the application of fertilizer and ground limestone, the Contractor shall repair such damage. This may include filling gullies, smoothing irregularities, and repairing other incidental damage.

904-3.3 Applying fertilizer and ground limestone. Following ground surface preparation, fertilizer shall be uniformly spread at a rate which will provide not less than the minimum quantity of each fertilizer ingredient, as stated in the special provisions. If use of ground limestone is required, it shall then be spread at a rate that will provide not less than the minimum quantity stated in the special provisions. These materials shall be incorporated into the soil to a depth of not less than 2 inches (50 mm) by discing, raking, or other suitable methods. Any stones larger than 2 inches (50 mm) in any diameter, large clods, roots, and other litter brought to the surface by this operation shall be removed.

904-3.4 Obtaining and delivering sod. After inspection and approval of the source of sod by the Engineer, the sod shall be cut with approved sod cutters to such a thickness that after it has been transported and placed on the prepared bed, but before it has been compacted, it shall have a uniform thickness of not less than 2 inches (50 mm). Sod sections or strips shall be cut in uniform widths, not less than 10 inches (250 mm), and in lengths of not less than 18 inches (0.5 m), but of such length as may be readily lifted without breaking, tearing, or loss of soil. Where strips are required, the sod must be rolled without damage with the grass folded inside. The Contractor may be required to mow high grass before cutting sod.

The sod shall be transplanted within 24 hours from the time it is stripped, unless circumstances beyond the Contractor's control make storing necessary. In such cases, sod shall be stacked, kept moist, and protected from exposure to the air and sun and shall be kept from freezing. Sod shall be cut and moved only when the soil moisture conditions are such that favorable results can be expected. Where the soil is too dry, permission to cut sod may be granted only after it has been watered sufficiently to moisten the soil to the depth the sod is to be cut.

904-3.5 Laying sod. Sodding shall be performed only during the seasons when satisfactory results can be expected. Frozen sod shall not be used and sod shall not be placed upon frozen soil. Sod may be transplanted during periods of drought with the approval of the Engineer, provided the sod bed is watered to moisten the soil to a depth of at least 4 inches (100 mm) immediately prior to laying the sod.

The sod shall be moist and shall be placed on a moist earth bed. Pitch forks shall not be used to handle sod, and dumping from vehicles shall not be permitted. The sod shall be carefully placed by hand, edge to edge and with staggered joints, in rows at right angles to the slopes, commencing at the base of the area to be sodded and working upward. The sod shall immediately be pressed firmly into contact with the sod bed by tamping or rolling with approved equipment to provide a true and even surface, and ensure knitting without displacement of the sod or deformation of the surfaces of sodded areas. Where the sod may be displaced during sodding operations, the workmen, when replacing it, shall work from ladders or treaded planks to prevent further displacement. Screened soil of good quality shall be used to fill all cracks between sods. The quantity of the fill soil shall not cause smothering of the grass. Where the grades are such that the flow of water will be from paved surfaces across sodded areas, the surface of the soil in the sod after compaction shall be set approximately one inch (25 mm) below the pavement edge. Where the flow will be over the sodded areas and onto the paved surfaces around manholes and inlets, the surface of the soil in the sod after compaction shall be placed flush with pavement edges.

On slopes steeper than one (1) vertical to 2-1/2 horizontal and in v-shaped or flat-bottom ditches or gutters, the sod shall be pegged with wooden pegs not less than 12 inches (300 mm) in length and have a cross-sectional area of not less than 3/4 sq inch (18 sq mm). The pegs shall be driven flush with the surface of the sod.

904-3.6 Watering. Adequate water and watering equipment must be on hand before sodding begins, and sod shall be kept moist until it has become established and its continued growth assured. In all cases, watering shall be done in a manner that will avoid erosion from the application of excessive quantities and will avoid damage to the finished surface.

904-3.7 Establishing turf.

a. General. The Contractor shall provide general care for the sodded areas as soon as the sod has been laid and shall continue until final inspection and acceptance of the work.

b. Protection. All sodded areas shall be protected against traffic or other use by warning signs or barricades approved by the Engineer.

c. Mowing. The Contractor shall mow the sodded areas with approved mowing equipment, depending upon climatic and growth conditions and the needs for mowing specific areas. In the event that weeds or other undesirable vegetation are permitted to grow to such an extent that, either cut or uncut, they threaten to smother the sodded species, they shall be mowed and the clippings raked and removed from the area.

904-3.8 Repairing. When the surface has become gullied or otherwise damaged during the period covered by this contract, the affected areas shall be repaired to re-establish the grade and the condition of the soil, as directed by the Engineer, and shall then be sodded as specified in paragraph 904-3.5.

METHOD OF MEASUREMENT

904-4.1 This item shall be measured on the basis of the area in square yards (square meters) of the surface covered with sod and accepted.

BASIS OF PAYMENT

904-5.1 This item will be paid for on the basis of the contract unit price per square yard (square meter) for sodding, which price shall be full compensation for all labor, equipment, material, staking, and incidentals necessary to satisfactorily complete the items as specified.

Payment will be made under:

Item T-904-5.1 Sodding - per square yard (square meter)

MATERIAL REQUIREMENTS

ASTM C602 Standard Specification for Agricultural Liming Materials

END OF ITEM T-904

Item T-905 Topsoiling

DESCRIPTION

905-1.1 This item shall consist of preparing the ground surface for topsoil application, removing topsoil from designated stockpiles or areas to be stripped on the site or from approved sources off the site, and placing and spreading the topsoil on prepared areas in accordance with this specification at the locations shown on the plans or as directed by the Engineer.

MATERIALS

905-2.1 Topsoil. Topsoil shall be the surface layer of soil with no admixture of refuse or any material toxic to plant growth, and it shall be reasonably free from subsoil and stumps, roots, brush, stones (2 inches (50 mm) or more in diameter), and clay lumps or similar objects. Brush and other vegetation that will not be incorporated with the soil during handling operations shall be cut and removed. Ordinary sod and herbaceous growth such as grass and weeds are not to be removed, but shall be thoroughly broken up and intermixed with the soil during handling operations. Heavy sod or other cover, which cannot be incorporated into the topsoil by discing or other means, shall be removed. The topsoil or soil mixture, unless otherwise specified or approved, shall have a pH range of approximately 5.5 pH to 7.6 pH, when tested in accordance with the methods of testing of the Association of Official Agricultural Chemists in effect on the date of invitation of bids. The organic content shall be not less than 3% nor more than 20% as determined by the wet-combustion method (chromic acid reduction). There shall be not less than 20% nor more than 80% of the material passing the 200 mesh (0.075 mm) sieve as determined by the wash test in accordance with ASTM C117.

Natural topsoil may be amended by the Contractor with approved materials and methods to meet the above specifications.

905-2.2 Inspection and tests. Within 10 days following acceptance of the bid, the Engineer shall be notified of the source of topsoil to be furnished by the Contractor. The topsoil shall be inspected to determine if the selected soil meets the requirements specified and to determine the depth to which stripping will be permitted. At this time, the Contractor may be required to take representative soil samples from several locations within the area under consideration and to the proposed stripping depths, for testing purposes as specified in paragraph 905-2.1.

CONSTRUCTION METHODS

905-3.1 General. Areas to be topsoiled shall be shown on the plans. If topsoil is available on the site, the location of the stockpiles or areas to be stripped of topsoil and the stripping depths shall be shown on the plans.

Suitable equipment necessary for proper preparation and treatment of the ground surface, stripping of topsoil, and for the handling and placing of all required materials shall be on hand, in good condition, and approved by the Engineer before the various operations are started.

905-3.2 Preparing the ground surface. Immediately prior to dumping and spreading the topsoil on any area, the surface shall be loosened by discs or spike-tooth harrows, or by other means approved by the Engineer, to a minimum depth of 2 inches (50 mm) to facilitate bonding of the topsoil to the covered

subgrade soil. The surface of the area to be topsoiled shall be cleared of all stones larger than 2 inches (50 mm) in any diameter and all litter or other material which may be detrimental to proper bonding, the rise of capillary moisture, or the proper growth of the desired planting. Limited areas, as shown on the plans, which are too compact to respond to these operations shall receive special scarification.

Grades on the area to be topsoiled, which have been established by others as shown on the plans, shall be maintained in a true and even condition. Where grades have not been established, the areas shall be smooth-graded and the surface left at the prescribed grades in an even and compacted condition to prevent the formation of low places or pockets where water will stand.

905-3.3 Obtaining topsoil. Prior to the stripping of topsoil from designated areas, any vegetation, briars, stumps and large roots, rubbish or stones found on such areas, which may interfere with subsequent operations, shall be removed using methods approved by the Engineer. Heavy sod or other cover, which cannot be incorporated into the topsoil by discing or other means shall be removed.

When suitable topsoil is available on the site, the Contractor shall remove this material from the designated areas and to the depth as directed by the Engineer. The topsoil shall be spread on areas already tilled and smooth-graded, or stockpiled in areas approved by the Engineer. Any topsoil stockpiled by the Contractor shall be rehandled and placed without additional compensation. Any topsoil that has been stockpiled on the site by others, and is required for topsoiling purposes, shall be removed and placed by the Contractor. The sites of all stockpiles and areas adjacent thereto which have been disturbed by the Contractor shall be graded if required and put into a condition acceptable for seeding.

When suitable topsoil is secured off the airport site, the Contractor shall locate and obtain the supply, subject to the approval of the Engineer. The Contractor shall notify the Engineer sufficiently in advance of operations in order that necessary measurements and tests can be made. The Contractor shall remove the topsoil from approved areas and to the depth as directed. The topsoil shall be hauled to the site of the work and placed for spreading, or spread as required. Any topsoil hauled to the site of the work and stockpiled shall be rehandled and placed without additional compensation.

905-3.4 Placing topsoil. The topsoil shall be evenly spread on the prepared areas to a uniform depth of inches (50 mm) after compaction, unless otherwise shown on the plans or stated in the special provisions. Spreading shall not be done when the ground or topsoil is frozen, excessively wet, or otherwise in a condition detrimental to the work. Spreading shall be carried on so that turving operations can proceed with a minimum of soil preparation or tilling.

After spreading, any large, stiff clods and hard lumps shall be broken with a pulverizer or by other effective means, and all stones or rocks (2 inches (50 mm) or more in diameter), roots, litter, or any foreign matter shall be raked up and disposed of by the Contractor. After spreading is completed, the topsoil shall be satisfactorily compacted by rolling with a cultipacker or by other means approved by the Engineer. The compacted topsoil surface shall conform to the required lines, grades, and cross-sections. Any topsoil or other dirt falling upon pavements as a result of hauling or handling of topsoil shall be promptly removed.

METHOD OF MEASUREMENT

905-4.1 Topsoil obtained on the site shall be measured by the number of cubic yards (cubic meters) of topsoil measured in its original position and stripped or excavated. Topsoil stockpiled by others and removed for topsoiling by the Contractor shall be measured by the number of cubic yards (cubic meters) of topsoil measured in the stockpile. Topsoil shall be measured by volume in cubic yards (cubic meters) computed by the method of end areas.

905-4.2 Topsoil obtained off the site shall be measured by the number of cubic yards (cubic meters) of topsoil measured in its original position and stripped or excavated. Topsoil shall be measured by volume in cubic yards (meters) computed by the method of end areas.

BASIS OF PAYMENT

905-5.1 Payment will be made at the contract unit price per cubic yard (cubic meter) for topsoiling (obtained on the site). This price shall be full compensation for furnishing all materials and for all preparation, placing, and spreading of the materials, and for all labor, equipment, tools, and incidentals necessary to complete the item.

905-5.2 Payment will be made at the contract unit price per cubic yard (cubic meter) for topsoiling (obtained off the site). This price shall be full compensation for furnishing all materials and for all preparation, placing, and spreading of the materials, and for all labor, equipment, tools, and incidentals necessary to complete the item.

Payment will be made under:

- | | |
|----------------|---|
| Item T-905-5.1 | Topsoiling (Obtained on Site or Removed from Stockpile - per cubic yard (cubic meter) |
| Item T-905-5.2 | Topsoiling (Furnished from Off the Site) - per cubic yard (cubic meter) |

TESTING MATERIALS

ASTM C117 Materials Finer than 75 μm (No. 200) Sieve in Mineral Aggregates by Washing

END OF ITEM T-905

Intentionally Left Blank

Item T-908 Mulching

It is acceptable to specify that mulching be constructed in accordance with state specifications. All referenced state specifications must be included in project specifications.

DESCRIPTION

908-1.1 This item shall consist of furnishing, hauling, placing, and securing mulch on surfaces indicated on the plans or designated by the Engineer.

MATERIALS

908-2.1 Mulch material. Acceptable mulch shall be the materials listed below or any approved locally available material that is similar to those specified. Mulch shall be free from noxious weeds, mold, and other deleterious materials. Mulch materials, which contain matured seed of species that would volunteer and be detrimental to the proposed overseeding, or to surrounding farm land, will not be acceptable. Straw or other mulch material which is fresh and/or excessively brittle, or which is in such an advanced stage of decomposition as to smother or retard the planted grass, will not be acceptable.

[**a. Hay.** Hay shall be native hay in an air-dry condition and of proper consistency for placing with commercial mulch blowing equipment. Hay shall be sterile, containing no fertile seed.

b. Straw. Straw shall be the stalks from threshed plant residue of oats, wheat, barley, rye, or rice from which grain has been removed. Furnish in air-dry condition and of proper consistency for placing with commercial mulch blowing equipment. Straw shall contain no fertile seed.

c. Hay mulch containing seed. Hay mulch shall be mature hay containing viable seed of native grasses or other desirable species stated in the special provisions or as approved by the Engineer. The hay shall be cut and handled so as to preserve the maximum quantity of viable seed. Hay mulch that cannot be hauled and spread immediately after cutting shall be placed in weather-resistant stacks or baled and stored in a dry location until used.

d. Manufactured mulch. Cellulose-fiber or wood-pulp mulch shall be products commercially available for use in spray applications.]

e. Asphalt binder. Asphalt binder material shall conform to the requirements of ASTM D977, Type SS-1 or RS-1.

Check with the local Agriculture Conservation Extension Office to determine choice of mulch most suitable for the project area. Specify only one type of mulch and delete the other mulches.

The United States Department of Agriculture (USDA) / Animal and Plant Health Inspection Service (APHIS) / Wildlife Service staff should be consulted to ensure mulch type selected is not a hazardous wildlife attractant.

908-2.2 Inspection. The Engineer shall be notified of sources and quantities of mulch materials available and the Contractor shall furnish him with representative samples of the materials to be used 30 days before delivery to the project. These samples may be used as standards with the approval of the Engineer and any materials brought on the site that do not meet these standards shall be rejected.

CONSTRUCTION METHODS

908-3.1 Mulching. Before spreading mulch, all large clods, stumps, stones, brush, roots, and other foreign material shall be removed from the area to be mulched. Mulch shall be applied immediately after seeding. The spreading of the mulch may be by hand methods, blower, or other mechanical methods, provided a uniform covering is obtained.

Mulch material shall be furnished, hauled, and evenly applied on the area shown on the plans or designated by the Engineer. Straw or hay shall be spread over the surface to a uniform thickness at the rate of 2 to 3 tons per acre (1800 - 2700 kg per acre) to provide a loose depth of not less than 1-1/2 inches (38 cm) nor more than 3 inches (75 mm). Other organic material shall be spread at the rate directed by the Engineer. Mulch may be blown on the slopes and the use of cutters in the equipment for this purpose will be permitted to the extent that at least 95% of the mulch in place on the slope shall be 6 inches (150 mm) or more in length. When mulches applied by the blowing method are cut, the loose depth in place shall be not less than one inch (25 mm) nor more than 2 inches (50 mm).

908-3.2 Securing mulch. The mulch shall be held in place by light discing, a very thin covering of topsoil, pins, stakes, wire mesh, asphalt binder, or other adhesive material approved by the Engineer. Where mulches have been secured by either of the asphalt binder methods, it will not be permissible to walk on the slopes after the binder has been applied. When an application of asphalt binder material is used to secure the mulch, the Contractor must take every precaution to guard against damaging or disfiguring structures or property on or adjacent to the areas worked and will be held responsible for any such damage resulting from the operation.

If the "peg and string" method is used, the mulch shall be secured by the use of stakes or wire pins driven into the ground on 5-foot (1.5-m) centers or less. Binder twine shall be strung between adjacent stakes in straight lines and crisscrossed diagonally over the mulch, after which the stakes shall be firmly driven nearly flush to the ground to draw the twine down tight onto the mulch.

908-3.3 Care and repair.

a. The Contractor shall care for the mulched areas until final acceptance of the project. Care shall consist of providing protection against traffic or other use by placing warning signs, as approved by the Engineer, and erecting any barricades that may be shown on the plans before or immediately after mulching has been completed on the designated areas.

b. The Contractor shall be required to repair or replace any mulch that is defective or becomes damaged until the project is finally accepted. When, in the judgment of the Engineer, such defects or

damages are the result of poor workmanship or failure to meet the requirements of the specifications, the cost of the necessary repairs or replacement shall be borne by the Contractor.

c. If the “asphalt spray” method is used, all mulched surfaces shall be sprayed with asphalt binder material so that the surface has a uniform appearance. The binder shall be uniformly applied to the mulch at the rate of approximately 8 gallons (32 liters) per 1,000 square feet (100 sq m), or as directed by the Engineer, with a minimum of 6 gallons (24 liters) and a maximum of 10 gallons (40 liters) per 1,000 square feet (100 sq m) depending on the type of mulch and the effectiveness of the binder securing it. Bituminous binder material may be sprayed on the mulched slope areas from either the top or the bottom of the slope. An approved spray nozzle shall be used. The nozzle shall be operated at a distance of not less than 4 feet (1.2 m) from the surface of the mulch and uniform distribution of the bituminous material shall be required. A pump or an air compressor of adequate capacity shall be used to ensure uniform distribution of the bituminous material.

d. If the “asphalt mix” method is used, the mulch shall be applied by blowing, and the asphalt binder material shall be sprayed into the mulch as it leaves the blower. The binder shall be uniformly applied to the mulch at the rate of approximately 8 gallons (32 liters) per 1,000 square feet (100 sq m) or as directed by the Engineer, with a minimum of 6 gallons (24 liters) and a maximum of 10 gallons (40 liters) per 1,000 square feet (100 sq m) depending on the type of mulch and the effectiveness of the binder securing it.

METHOD OF MEASUREMENT

908-4.1 Mulching shall be measured in square yards (square meters) on the basis of the actual surface area acceptably mulched.

BASIS OF PAYMENT

908-5.1 Payment will be made at the contract unit price per square yard (square meter) for mulching. The price shall be full compensation for furnishing all materials and for placing and anchoring the materials, and for all labor, equipment, tools, and incidentals necessary to complete the item.

Payment will be made under:

Item T-908-5.1 Mulching - per square yard (square meter)

MATERIAL REQUIREMENTS

ASTM D977 Standard Specification for Emulsified Asphalt

END OF ITEM T-908

Intentionally Left Blank

Part 11 – Lighting Installation

Item L-101 Airport Rotating Beacons

DESCRIPTION

101-1.1 This item shall consist of furnishing and installing airport rotating beacons. The work shall also include mounting, leveling, wiring, painting, servicing, and testing of the beacon. In addition, this item also includes all materials and incidentals necessary to place the beacon in an operating condition (as a completed unit) to the satisfaction of the Engineer. This item shall include a mounting platform if specified in the plans.

EQUIPMENT AND MATERIALS

101-2.1 General.

a. Airport lighting equipment and materials covered by advisory circulars (ACs) must be certified and listed in AC 150/5345-53, Airport Lighting Equipment Certification Program.

b. All other equipment and materials covered by other referenced specifications shall be subject to acceptance through manufacturer's certification of compliance with the applicable specification when requested by the Engineer.

c. Manufacturer's certifications shall not relieve the Contractor of the responsibility to provide materials that are per these specifications. Materials supplied and/or installed that do not comply with these specifications shall be removed (when directed by the Engineer and replaced with materials, that are per these specifications, at the Contractor's cost.

d. All materials and equipment used to construct this item shall be submitted to the Engineer for approval prior to ordering the equipment. Submittals consisting of marked catalog sheets or shop drawings shall be provided. Submittal data shall be presented in a clear, precise and thorough manner. Original catalog sheets are preferred. Photocopies are acceptable provided they are as good a quality as the original. Clearly mark each copy to identify the products or models applicable to this project. Indicate all optional equipment and delete any non-pertinent data. Submittals for components or electrical equipment and systems shall identify the equipment to which they apply on each submittal sheet. Markings shall be made bold and clear with arrows or circles (highlighting is not acceptable). The Contractor is solely responsible for delays in the project that accrue directly or indirectly from late submissions or resubmissions of submittals.

e. The data submitted shall be sufficient, in the opinion of the Engineer, to determine compliance with the Contract Documents plans and specifications. [The Contractor's submittals shall be neatly bound in a properly sized 3-ring binder, tabbed by specification section.] The Engineer reserves the right to reject any and all equipment, materials or procedures that do not meet the system design and the standards and codes, specified in this document.

f. All equipment and materials furnished and installed in this section shall be guaranteed against defects in materials and workmanship for at least [twelve (12) months] from the date of final

acceptance by the Owner. The defective materials and/or equipment shall be repaired or replaced, at the Owner’s discretion, with no additional cost to the Owner.

The Engineer should specify the form in which submittals are to be received and the number of copies.

The length of time for guarantee of materials and workmanship should be as stated in the contract between the Owner and Contractor and the contract special provisions.

101-2.2 Beacon. The beacon shall be a Type [] Class [] beacon meeting the requirements of AC 150/5345-12, Specification for Airport and Heliport Beacons.

Engineer shall select the Type and Class of beacon required.

101-2.3 Beacon installation. See AC 150/5340-30, Design and Installation Details for Airport Visual Aids, for beacon installation details. Provide two lamp sets as spares.

101-2.4 Panel boards and breakers. Panel boards and breakers shall conform to the requirements of Federal Specification W-P-115, Panel, Power Distribution.

101-2.5 Weatherproof cabinets. The weatherproof cabinets shall conform to National Electrical Manufacturers Association Standards (NEMA) and shall be constructed of steel not less than No. 16 United States Standard (USS) gauge.

101-2.6 Electrical wire. For ratings up to 600 volts, moisture and heat resistant thermoplastic wire conforming to Commercial Item Description A-A-59544A Type THWN-2 shall be used. The wires shall be the type, size, number of conductors, and voltage shown in the plans or in the proposal.

101-2.7 Conduit. Rigid steel conduit and fittings shall be per Underwriters Laboratories Standards 6, 514B, and 1242.

101-2.8 Paint.

a. Priming paint for non-galvanized metal surfaces shall be a high solids alkyd primer per Society for Protective Coatings (SSPC) Paint 25.

b. Priming paint for galvanized metal surfaces shall be a zinc-rich epoxy primer paint per MIL-DTL-24441/19B, Formula 159, Type III. Use MIL-24441 thinner per paint manufacturer’s recommendations.

c. Orange paint for the body and the finish coats on metal and wood surfaces shall consist of a ready-mixed non-fading paint meeting the requirements of Master Painter’s Institute (MPI) Reference #9 (gloss). The color shall be per Federal Standard 595, International Orange Number 12197.

d. White paint for body and finish coats on metal and wood surfaces shall be ready-mixed paint per the Master Painter’s Institute, Reference #9, Exterior Alkyd, Gloss, volatile organic content (VOC) Range E2.

e. Priming paint for wood surfaces shall be mixed on the job by thinning the above-specified orange or white paint with 1/2 pint (0.24 liter (l)) of raw linseed oil to each gallon (liter).

CONSTRUCTION METHODS

101-3.1. Placing the beacon. The beacon shall be mounted on a beacon tower, platform, or building roof as shown in the plans.

101-3.2 Hoisting and mounting. The beacon shall be hoisted to the mounting platform by using suitable slings and hoisting tackle. Before fastening the beacon to the mounting platform, the mounting holes shall be checked for correct spacing. Beacon base or mounting legs shall not be strained or forced out of position to fit incorrect spacing of mounting holes. The beacon base shall be raised first, set in position, and bolted in place. The drum shall then be raised and assembled to the base.

101-3.3 Leveling. After the beacon has been mounted, it shall be accurately leveled following the manufacturer's instructions. The leveling shall be checked in the presence of the Engineer and shall be to the Engineer's satisfaction.

101-3.4 Servicing. Before placing the beacon in operation, the Contractor shall check the manufacturer's manual for proper servicing requirements. Follow the manufacturer's servicing instructions for each size of beacon.

101-3.5 Beam adjustment. After the beacon has been mounted and leveled, the elevation of the beam shall be adjusted. The final beam adjustments shall be made at night so that results can be readily observed. The beams shall be adjusted to the elevation directed by the Engineer or as shown in the plans. See AC 150/5340-30 for additional information about airport beacon beam adjustment.

101-3.6 Beacon mounting platform. Where the beacon is to be mounted at a location other than the beacon tower and where a special mounting platform is required, the construction of the mounting platform and any necessary lightning protection equipment shall be per the details shown in the plans.

101-3.7 Wiring. The Contractor shall furnish all necessary labor and materials and shall make complete above ground electrical connections per the wiring diagram furnished with the project plans. The electrical installation shall conform to the requirements of the latest edition of National Fire Protection Association, NFPA-70, National Electrical Code (NEC). Copies of the National Electric Code may be obtained from the NFPA website: http://www.nfpa.org/aboutthecodes/list_of_codes_and_standards.asp

If underground cable for the power feed from the transformer vault to the beacon site and duct for this cable installation is required, the cable, ground rods and duct shall be installed per and paid for as described in Item L-108, Underground Power Cable for Airports, and Item L-110, Airport Underground Electrical Duct Banks and Conduit.

Unless otherwise specified, the Contractor shall connect the tell-tale relay mechanism in the beacon to energize the tower obstruction light circuit when failure of the beacon service (primary) lamp occurs.

If lightning protection is specified in the plans or proposal as a part of this item, it shall be installed per paragraph 103-2.3 in Item L-103, Airport Beacon Towers.

101-3.8 Panel and cabinet. Unless otherwise specified, the Contractor shall furnish and install at the top of the beacon tower or mounting platform a circuit-breaker panel consisting of four 15-ampere breakers mounted in a weather-proof cabinet to provide separate protection for the circuits to the beacon lamps, motor, obstruction lights, and other equipment. The cabinet shall be located on the side of the beacon platform, as directed by the Engineer.

101-3.9 Conduit. All exposed wiring shall be run in not less than 3/4 inch (19 mm) galvanized rigid steel conduit. Outdoor rated, liquid-tight, flexible metal conduit may be used for final connection at the beacon equipment. No conduit shall be installed on top of a beacon platform floor. All conduits shall be installed to provide for drainage. If mounted on a steel beacon tower, the conduit shall be fastened to the tower members with Wraplock® straps (or equivalent), clamps, or approved fasteners, spaced approximately 5 feet (1.5 m) apart. The conduit shall be fastened to wooden structures with galvanized pipe straps and

with galvanized wood screws not less than No. 8 or less than 1-1/4 inches (32 mm) long. There shall be at least two fastenings for each 10 feet (3 m) length.

101-3.10 Booster transformer. If shown in the plans or specified in job specifications, a booster transformer to compensate for voltage drop to the beacon shall be installed in a suitable weatherproof housing under or on the tower platform or at the base of the tower. The installation shall be as indicated in the plans and described in the proposal. If the booster transformer is required for installation remote from the beacon, it shall be installed per and paid for [___].

The Engineer should specify how the booster transformer cost will be paid when it is located remotely from the beacon tower, (part of the beacon installation or, if installed in the vault, as part of the vault equipment).

101-3.11 Photoelectric control. If shown in the plans or specified in the job specifications, the Contractor shall furnish and install an automatic control switch at the location indicated in the plans. The switch shall be a photoelectric type. It shall be a standard commercially available unit that will energize when the illumination on a vertical surface facing North decreases to 25 to 35 foot-candles (269 to 377 lux). The photoelectric switch should de-energize when the illumination rises to 50 to 60 foot-candles (538 to 646 lux). The photoelectronic switch shall be installed, connected, and adjusted per the manufacturer's instructions.

101-3.12 Obstruction lights. Unless otherwise specified, the Contractor shall install on the top of the beacon tower or mounting platform two L-810 obstruction lights on opposite corners. These lights shall be mounted on conduit extensions to a height of not less than 4 inches (100 mm) above the top of the beacon.

101-3.13 Painting. If construction of a wooden mounting platform is stipulated in the proposal as part of this item, all wooden parts of the platform shall be given one priming coat of white or aviation-orange paint after fabrication but before erection and one body and one finish coat of international-orange paint after erection. Steel mounting platforms shall be given one priming coat of corrosion-inhibiting primer before erection and one body and one finish coat of international-orange paint after erection. All equipment installed under this contract and exposed to the weather shall be given one body and one finish coat of international-orange (per Federal Standard 595, Number 12197) or white paint as required. This shall include the beacon (except glass surfaces), beacon base, breaker cabinet, all conduit, and transformer cases. It shall not include lightning protection system air terminals or obstruction light globes.

Skilled painters must apply the paint uniformly at the proper consistency. The finished paint shall be free from sags, holidays, and smears. Each coat of paint shall be given ample time to dry and harden before the next coat of paint is applied. A minimum of three (3) days shall be allowed for drying on wood surfaces, and a minimum of four (4) days shall be allowed for drying on metal surfaces. Painting shall not be performed in cold, damp, foggy, dusty, or frosty atmospheres, or when the air temperature is below 40°F (4°C), nor started when the weather forecast indicates such conditions for the day.

All surfaces shall be cleaned before painting. The surfaces shall be dry and free from scale, grease, rust, dust, and dirt. All knots in wood surfaces shall be covered with shellac immediately before applying the priming coat of paint. Nail holes and permissible imperfections shall be filled with putty. The ready-mixed paint shall be thinned for the priming and body coats per the manufacturer's recommendations. In the absence of such recommendations, the following shall apply:

a. Body coats (for both wood and steel surfaces) - add 1/2 pint (0.24 liter) of turpentine to each gallon (liter) of ready-mixed paint for body coats.

b. Finish coats (for both wood and steel surfaces) the ready-mixed paint shall be used as it comes from the container for finish coats.

101-3.14 Testing. The beacon installation shall be fully tested as a completed unit prior to acceptance. These tests shall include operation of the lamp-changer and performing insulation resistance and voltage readings. The insulation resistance to ground of the beacon power supply circuit shall be not less than 100 megohms when measured ungrounded. The Contractor must furnish testing equipment. Tests shall be conducted in the presence of the Engineer and shall be to the Engineer's satisfaction.

METHOD OF MEASUREMENT

101-4.1 The quantity to be paid for shall be the number of beacons installed as completed units in place, accepted, and ready for operation.

BASIS OF PAYMENT

101-5.1 Payment will be made at the contract unit price for each completed and accepted job. This price shall be full compensation for furnishing all materials and for all preparation, assembly, and installation of these materials, and for all labor, equipment, tools, and incidentals necessary to complete this item.

Payment will be made under:

Item L-101-5.1 Airport Rotating Beacon, in place - per unit

MATERIAL REQUIREMENTS

AC 150/5345-7 Specification for L-824 Underground Cable for Airport Lighting Circuits

AC 150/5345-12 Specification for Airport and Heliport Beacons

AC 150/5340-30 Design and Installation Details for Airport Visual Aids

AC 150/5345-53 Airport Lighting Equipment Certification Program

Commercial Item Description A-A-59544
Cable and Wire, Electrical (Power, Fixed Installation)

FED SPEC W-P-115 Panel, Power Distribution

FED STD 595 Colors Used in Government Procurement

MPI Reference #9 Alkyd, Exterior, Gloss (MPI Gloss Level 6)

MIL-DTL-24441C/19B Paint, Epoxy-Polyamide, Zinc Primer, Formula 159, Type III

NFPA-70 National Electric Code (NEC)

NFPA-780 Standard for the Installation of Lightning Protection Systems

SSPC Paint 25 BCS Zinc Oxide, Alkyd, Linseed Oil, Primer for

Underwriters Laboratories Standard 6
Electrical Rigid Metal Conduit – Steel

Underwriters Laboratories Standard 514B
Conduit, Tubing, and Cable Fittings

Underwriters Laboratories Standard 1242

Electrical Intermediate Metal Conduit - Steel

END OF ITEM L-101

Item L-103 Airport Beacon Towers

DESCRIPTION

103-1.1 This item shall consist of furnishing and installing an airport beacon tower of the type shown in the plans, per these specifications. This work shall include the clearing of the site, erection of the tower, installation of lightning protection, painting, and all incidentals necessary to place it in operating condition as a completed unit to the satisfaction of the Engineer. See advisory circular (AC) 150/5340-30 for additional installation information about airport beacon towers.

EQUIPMENT AND MATERIALS

103-2.1 General.

a. All equipment and materials covered by referenced specifications shall be subject to acceptance through manufacturer's certification of compliance with the applicable specification when requested by the Engineer.

b. Manufacturer's certifications shall not relieve the Contractor of the responsibility to provide materials per these specifications. Materials supplied and/or installed that do not comply with these specifications shall be removed (when directed by the Engineer) and replaced with materials, that are per these specifications, at the Contractor's cost.

c. All materials and equipment used to construct this item shall be submitted to the Engineer for approval prior to ordering the equipment. Submittals consisting of marked catalog sheets or shop drawings shall be provided. Submittal data shall be presented in a clear, precise and thorough manner. Original catalog sheets are preferred. Photocopies are acceptable provided they are as good a quality as the original. Clearly and boldly mark each copy to identify products or models applicable to this project. Indicate all optional equipment and delete any non-pertinent data. Submittals to components of electrical equipment and systems shall identify the equipment for which they apply on each submittal sheet. Markings shall be made bold and clear with arrows or circles (highlighting is not acceptable). The Contractor is solely responsible for delays in the project that may accrue directly or indirectly from late submissions or resubmissions of submittals.

d. The data submitted shall be sufficient, in the opinion of the Engineer, to determine compliance with the plans and specifications. [The Contractor's submittals shall be neatly bound in a properly sized 3-ring binder, tabbed by specification section.] The Engineer reserves the right to reject any and all equipment, materials or procedures that do not meet the system design and the standards and codes, specified in this document.

e. All equipment and materials furnished and installed under this section shall be guaranteed against defects in materials and workmanship for at least [twelve (12) months] from the date of final acceptance by the Owner. The defective materials and/or equipment shall be repaired or replaced, at the Owner's discretion, with no additional cost to the Owner.

The Engineer should specify the form in which submittals are to be received and number of copies.

The length of time for guarantee of materials and workmanship should be as stated in the contract between the Owner and Contractor and the contract special provisions.

103-2.2 Tower. The beacon tower shall be per AC 150/5340-30, Design and Installation Details for Airport Visual Aids, Chapter 6.

103-2.3 Lightning protection. Lightning protection shall comply with NFPA-780, Standard for the Installation of Lightning Protection Systems. All materials shall comply with NFPA 780 Class II material requirements regardless of the tower height. Ground rods and underground cables shall be installed per and paid as described in Item L-108, Underground Power Cable for Airports.

103-2.4 Paint.

a. Priming paint for galvanized steel towers shall be zinc dust-zinc oxide primer paint per MIL-DTL-24441C/19B. Use MIL-24441 thinner per paint manufacturer’s recommendations.

b. Priming paint for non-galvanized steel towers shall be a high solids alkyd primer per the Master Painter’s Institute (MPI), Reference #9, Exterior Alkyd, Gloss.

c. Orange paint for the body and the finish coats on metal and wood surfaces shall consist of a ready-mixed non-fading paint MPI Reference #9 (gloss). The color shall be per Federal Standards 595, International Orange Number 12197.

d. White paint for a steel tower shall be ready-mixed paint per MPI #8.

CONSTRUCTION METHODS

103-3.1 Clearing and grading. The site on which the beacon tower is to be erected shall be cleared and leveled. All trees and brush shall be removed from the area within a distance of 25 feet (7.5 m) from the tower or as called for in the plans. Stumps shall be removed to a depth of 18 inches (0.5 m) below finished grade and the excavation filled with earth and tamped. If a transformer vault or other structure is included as part of the installation, the area shall be cleared to a distance of 25 feet (7.5 m) from these structures. The ground near the tower shall be leveled to permit the operation of mowing machines. The leveling shall extend at least 2 feet (60 cm) outside the tower legs. All debris removed from the tower site shall be disposed of by the Contractor to the satisfaction of the Engineer and per Federal, state, or local regulations.

103-3.2 Excavation and fill. Excavation for the tower footings shall be carried to a minimum of 4 inches (100 mm) below the footing depth. The excess excavation below the footing depth shall then be backfilled with gravel or crushed stone and compacted to the required level. The footing plates shall be installed, and a thickness of not less than 18 inches (0.5 m) of the same gravel or crushed stone shall be placed immediately above the footing plates in layers of not over 6 inches (150 mm). Each layer above the footing plates shall be thoroughly tamped in place. The remainder of the backfill may be of excavated earth placed in layers not to exceed 6 inches (150 mm). Each layer shall be thoroughly compacted by tamping.

Where solid rock is encountered, which prevents the carrying of the foundation legs to the required depth but which is of sufficient strength to use hold-down bolts, the tower anchor posts shall be cut off at the required length and the hold-down bolts shall be installed as indicated in the plans with the approval of the Engineer. Each tower leg shall be anchored to the rock by means of two 7/8 inch (22 mm) diameter by 3 feet (1 m) long expansion or split bolts and shall be grouted with neat Portland cement into holes drilled into the natural rock. Except as required for rock foundations, the footing members shall not be cut off or shortened. If excavated material is of such consistency that it will not readily compact when backfilled, the Engineer may order the excavation backfilled with concrete or other suitable material.

The concrete footing for tubular beacon towers shall be installed per the manufacturer's recommendations. Portions of the footing in the topsoil layer shall not be included in the footing height.

103-3.3 Erection. Detailed erection drawings furnished by the manufacturer shall be strictly followed during construction. All towers shall be erected in sections from the ground up unless otherwise specified. For final assembly, all bolts and fastenings shall be installed, and the structure shall be plumb, true, square, and level. Nuts shall be taken up to a firm bearing after which the bolts shall, if necessary, be cut to proper length to protrude three full threads. Approved locknuts shall be placed on each bolt over the regular nut. Ladder bolts shall be inserted with the head to the outer face of the tower. Diagonal, leg, and handrail bolts shall be installed with nuts on the outer face of the tower, unless otherwise specified. Bent parts shall be straightened before erection without damage to the protective coating. Surfaces abraded or bared of protective coating shall be painted with the proper priming paint per these specifications.

The Contractor shall install the ladder on the side of the tower adjacent to the driveway or most accessible approach to the tower. Tubular beacon towers shall be erected per the manufacturer's recommendations. The safety cable shall be located on the side of the tower adjacent to the driveway or most accessible approach to the tower.

103-3.4 Lightning protection. Lightning protection shall be per NFPA-780, Standard for the Installation of Lightning Protection Systems. All materials shall comply with Class II requirements regardless of tower height. Ground rods and underground cables shall be installed per and paid as described in Item L-108, Underground Power Cable for Airports.

The Contractor shall furnish and install a Class II lightning protection system in accordance with NFPA 780.

Down-conductor cables shall be securely fastened to the surface of the tower leg at 5 feet (1.5 m) intervals with suitable bronze fasteners having bronze or noncorrosive metal bolts. Sharp turns or bends in the down conductor will not be permitted.

All connections of cable to cable, cable to air terminals, and cable to ground plates or rods shall be made with solder-less connectors or noncorrosive metal approved by the Engineer and shall be of substantial construction.

The down-conductor cable shall be securely attached to ground rods or plates placed at least 2 feet (60 cm) away from the tower foundations. The ground rod shall be driven into the ground so that the top is at least 6 inches (150 mm) below grade. The down-conductor shall be firmly attached to the ground plate or rod by means of an exothermic weld only. Plates shall be embedded in an area of permanent moisture.

The complete lightning protection installation shall be accomplished to the satisfaction of the Engineer. The resistance to ground of any part of the lightning protection system shall not exceed 25 ohms. If a single rod grounding electrode has a resistance to earth of over 25 ohms, then install one supplemental rod not less than 10 feet from the first rod.

103-3.5 Painting. The Contractor shall furnish all materials and labor for painting the beacon tower. The color scheme for the steel tower shall be as shown in the plans.

a. Parts to be painted. Tower parts (except those parts to be exposed to earth) shall not be treated or primed before erection. All tower parts placed below ground level or within 12 inches (300 mm) above ground level shall be given two coats of approved bituminous paint.

Skilled painters must apply the proper consistency of paint uniformly. The finished paint shall be free from sags, holidays, and smears. Division lines between colors shall be sharply defined. Each coat of paint shall be given ample time to dry and harden before the next coat is applied. A minimum of four (4) days shall be allowed for drying on metal surfaces. Painting shall not be done in cold, damp, foggy, or dusty atmospheres, or when air temperature is below 40°F (4°C), nor started when the weather forecast indicates such conditions for the day.

All surfaces shall be cleaned before painting. The surfaces shall be dry and free from scale, grease, rust, dust, and dirt when paint is applied.

The number of coats of paint applied shall be per the following instructions:

b. Steel towers, galvanized. One priming coat of zinc dust-zinc oxide primer after erection and one body and one finish of white or orange paint (as required by the color scheme) shall be applied after erection.

c. Steel towers, not galvanized. One priming coat of corrosion-inhibiting primer and one body and one finish coat of white or orange paint (as required by the color scheme) shall be applied after erection.

The above specified orange and white ready-mixed paints shall be thinned for the body coats per the manufacturer's recommendations. In the absence of such recommendations, the following shall apply:

d. Body coats. Add not more than 1/2 pint (0.24 liters) of turpentine to each gallon (liter) of ready-mixed paint for body coats.

e. Finish coats. The ready-mixed paint shall be used as it comes from the container for finish coats.

METHOD OF MEASUREMENT

103-4.1 The quantity to be paid for under this item shall be the number of airport beacon towers installed as completed units in place, accepted, and ready for operation.

BASIS OF PAYMENT

103 5.1 Payment will be made at the contract unit price for each completed and accepted job. This price shall be full compensation for furnishing all materials and for all preparation, assembly, and installation of these materials, and for all labor, equipment, tools, and incidentals necessary to complete this item.

Payment will be made under:

Item L-103-5.1 [List type here] Beacon Tower and Foundation, in Place per unit

MATERIAL REQUIREMENTS

AC 150/5340-30	Installation and Design Details for Airport Visual Aids
MPI Reference #8	Alkyd, Exterior, Flat (MPI Gloss Level 1)
MPI Reference #9	Alkyd, Exterior, Gloss (MPI Gloss Level 6)
FED STD 595	Colors Used in Government Procurement
MIL-DTL-24441C/19B	Paint, Epoxy-Polyamide, Zinc Primer, Formula 159, Type III

NFPA-780 Standard for the Installation of Lightning Protection Systems
Society for Protective Coatings (SSPC) Paint 25 BCS
Zinc Oxide, Alkyd, Linseed Oil, Primer for

END OF ITEM L-103

Intentionally Left Blank

Item L-107 Airport Wind Cones

DESCRIPTION

107-1.1 This item shall consist of furnishing and installing an airport wind cone per these specifications and per the dimensions, design, and details shown in the plans.

The work shall include the furnishing and installation of a support for mounting the wind cone, the specified interconnecting wire, and a concrete foundation. The item shall also include all cable connections, conduit and conduit fittings, the furnishing and installation of all lamps, ground rod and ground connection, the testing of the installation, and all incidentals necessary to place the wind cone in operation (as a completed unit) to the satisfaction of the Engineer.

EQUIPMENT AND MATERIALS

107-2.1 General.

a. Airport lighting equipment and materials covered by advisory circulars (ACs) shall be certified and listed in AC 150/5345-53, Airport Lighting Equipment Certification Program.

b. All other equipment and materials covered by other referenced specifications shall be subject to acceptance through manufacturer's certification of compliance with the applicable specification when requested by the Engineer.

c. Manufacturer's certifications shall not relieve the Contractor of the responsibility to provide materials per these specifications. Materials supplied and/or installed that do not comply with these specifications shall be removed (when directed by the Engineer) and replaced with materials that comply with these specifications, at the Contractor's cost.

d. All materials and equipment used to construct this item shall be submitted to the Engineer for approval prior to ordering the equipment. Submittals consisting of marked catalog sheets or shop drawings shall be provided. Submittal data shall be presented in a clear, precise and thorough manner. Original catalog sheets are preferred. Photocopies are acceptable provided they are as good a quality as the original. Clearly and boldly mark each copy to identify products or models applicable to this project. Indicate all optional equipment and delete any non-pertinent data. Submittals for components of electrical equipment and systems shall identify the equipment to which they apply on each submittal sheet. Markings shall be made bold and clear with arrows or circles (highlighting is not acceptable). Contractor is solely responsible for delays in the project that may accrue directly or indirectly from late submissions or resubmissions of submittals.

e. The data submitted shall be sufficient, in the opinion of the Engineer, to determine compliance with the plans and specifications. [The Contractor's submittals shall be neatly bound in a properly sized 3-ring binder, tabbed by specification section.] The Engineer reserves the right to reject any and all equipment, materials or procedures, that do not meet the system design and the standards and codes, specified in this document.

f. All equipment and materials furnished and installed under this section shall be guaranteed against defects in materials and workmanship for at least [twelve (12) months] from the date of final acceptance by the Owner. The defective materials and/or equipment shall be repaired or replaced, at the Owner's discretion, with no additional cost to the Owner.

The Engineer should specify the form in which submittals are to be received and number of copies.

The length of time for guarantee of materials and workmanship should be as stated in the contract between the Owner and Contractor and the contract special provisions.

107-2.2 Wind cones. The [primary] [supplemental] wind cone assembly shall be Type [___], Style [___], Size [___] meeting the requirements of AC 150/5345-27, Specification for Wind Cone Assemblies.

The illuminated wind cone must present a constant brightness to the pilot. The source of power for the wind cone circuit must be identified. Where a constant voltage is available, the wind cone may be connected directly to the constant voltage circuit. Where the series lighting circuit is used as a power source to the wind cone, a 6.6 amp constant current input power must be specified. The wind cone illumination must remain at a constant intensity regardless of the current step selected.

The Engineer should specify the wind cone and power adapter combination recommended by the manufacturer when the power source for the wind cone circuit will be the series lighting circuit.

107-2.3 Electrical wire and cable. Cable rated up to 5,000 volts in conduit shall conform to AC 150/5345-7, Specification for L-824 Underground Electrical Cable for Airport Lighting Circuits. For ratings up to 600 volts, moisture and heat resistant thermoplastic wire conforming to Commercial Item Description A-A-59544A Type THWN-2 shall be used. The wires shall be of the type, size, number of conductors, and voltage shown in the plans or in the proposal.

107-2.4 Conduit. Rigid steel conduit and fittings shall conform to the requirements of Underwriters Laboratories Standards 6, 514B, and 1242.

107-2.5 Plastic conduit (for use below grade only). Plastic conduit and fittings shall be per the following:

- UL 514B covers W-C-1094 - Conduit fittings all types, Classes 1 thru 3 and 6 thru 10
- UL 514C covers W-C-1094 - all types, Class 5 junction box and cover in plastic (polyvinyl chloride (PVC))
- UL 651 covers W-C-1094 - Rigid PVC Conduit, types I and II, Class 4
- UL 651A covers W-C-1094 - Rigid PVC Conduit and high density polyethylene (HDPE) Conduit type III and Class 4

Underwriters Laboratories Standard UL-651 shall be one of the following, as shown in the plans:

- a. Type I—Schedule 40 PVC suitable for underground use either direct-buried or encased in concrete.
- b. Type II—Schedule 40 PVC suitable for either above ground or underground use.

Plastic conduit adhesive shall be a solvent cement manufactured specifically for the purpose of gluing the type of plastic conduit and fitting.

107-2.6 Concrete. The concrete for foundations shall be proportioned, placed, and cured per Item P-610, Structural Portland Cement Concrete.

107-2.7 Paint.

a. Priming paint for non-galvanized metal surfaces shall be a high solids alkyd primer per Society for Protective Coatings (SSPC) Specification - Paint 25, Primer, Raw Linseed Oil and Alkyd Primer (Without Lead and Chromate Pigments).

b. Priming paint for galvanized metal surfaces shall be zinc dust-zinc oxide primer paint conforming to MIL-DTL-24441C/19B. Use MIL-24441 thinner per paint manufacturer’s recommendations.

c. Orange paint for the body and the finish coats on metal and wood surfaces shall consist of a ready-mixed non-fading paint per Master Painter’s Institute (MPI) Reference #9 (gloss). The color shall be per Federal Standards 595, International Orange, Number 12197.

d. White paint for body and finish coats on metal and wood surfaces shall be ready-mixed paint conforming to the MPI, Reference #9, Exterior Alkyd, Gloss.

e. Priming paint for wood surfaces shall be mixed on the job by thinning the above specified aviation-orange or white paint by adding 1/2 pint (0.24 liter) of raw linseed oil to each gallon (liter).

CONSTRUCTION METHODS

107-3.1 Installation. The hinged support or hinged pole shall be installed on a concrete foundation per the plans.

107-3.2 Support pole erection. The Contractor shall erect the pole on the foundation following the manufacturer’s requirements and erection details. The pole shall be level and secure.

107-3.3 Electrical connection. The Contractor shall furnish all labor and materials and shall make complete electrical connections per the wiring diagram furnished with the project plans. The electrical installation shall conform to the requirements of the latest edition of National Fire Protection Association, NFPA-70, National Electric Code (NEC).

If underground cable from the transformer vault to the wind cone site and duct for this cable installation is required, the cable and duct shall be installed in accordance with and paid for as described in Item L-108, Underground Power Cables for Airports, and Item L-110, Airport Underground Electrical Duct Banks and Conduits.

107-3.4 Booster transformer. If shown in plans or specified in the job specifications, a booster transformer to compensate for voltage drop to the lamps shall be installed in a suitable weatherproof housing. The booster transformer shall be installed as indicated in the plans and described in the proposal. If the booster transformer is required for installation remotely from the wind cone, it shall be installed in accordance with and paid for per [___].

The Engineer should specify how the booster transformer cost will be paid when it is located remotely from the wind cone (as part of the wind cone installation or, if installed in the vault, as part of the vault equipment).

107-3.5 Ground connection and ground rod. The Contractor shall furnish and install a ground rod, grounding cable, and ground clamps for grounding the “A” frame of the 12-foot (3.7-m) assembly or pipe support of the 8-foot (2.4-m) support near the base. The ground rod shall be of the type, diameter and length specified in Item L-108, Underground Power Cable for Airports. The ground rod shall be driven into the ground adjacent to the concrete foundation (minimum distance from foundation of 2 feet (60 cm)) so that the top is at least 6 inches (150 mm) below grade. The grounding cable shall consist of No. [6] [4] [2] American wire gauge (AWG) minimum stranded copper wire or larger and shall be firmly attached to the ground rod by exothermic welding. If an exothermic weld is not possible, connections to the grounding bus shall be made by using connectors approved for direct burial in soil or concrete per UL 467. The other end of the grounding cable shall be securely attached to a leg of the frame or to the base of the pipe support with non-corrosive metal and shall be of substantial construction. The resistance to ground shall not exceed 25 ohms. If a single rod grounding electrode has a resistance to earth of over 25 ohms, then install one supplemental rod not less than 10 feet from the first rod.

107-3.6 Painting. Three coats of paint shall be applied (one prime, one body, and one finish) to all exposed material installed under this item except the fabric cone, obstruction light globe, and lamp reflectors. The wind cone assembly, if already painted upon receipt, shall be given one finish coat of paint in lieu of the three coats specified above. The paint shall be per MPI Reference #9 (gloss). The color shall be per Federal Standard 595, International Orange, Number 12197.

107-3.7 Light sources. The Contractor shall furnish and install lamps per the manufacturer’s instruction book.

107-3.8 Chain and padlock. The Contractor shall furnish and install a suitable operating chain for lowering and raising the hinged top section. The chain shall be attached to the pole support in a manner to prevent the light fixture assembly from striking the ground in the lowered position.

A padlock shall also be furnished by the Contractor on the 8-foot (2.4-m) wind cone for securing the hinged top section to the fixed lower section. Keys for the padlock shall be delivered to the Engineer.

107-3.9 Segmented circle. The segmented circle shall be constructed in accordance with AC 150/5340-5, Segmented Circle Airport Marker System, and the details in the Plans.

METHOD OF MEASUREMENT

107-4.1 The quantity to be paid shall be the number of wind cones installed as completed units in place, accepted, and ready for operation.

107-4.2 The quantity of segmented circle airport marker systems to be paid for shall be the number of systems installed as completed units in place, accepted, and ready for operation.

BASIS OF PAYMENT

107-5.1 Payment will be made at the contract unit price for each completed and accepted job. This price shall be full compensation for furnishing all materials and for all preparation, assembly, and installation of these materials, and for all labor, equipment, tools, and incidentals necessary to complete this item.

Payment will be made under:

- | | |
|----------------|---|
| Item L-107-5.1 | [List type, style, size] Wind Cone and Foundation, in Place -- per Each |
| Item L-107-5.2 | Segmented Circle Marker System, in Place -- per Each |

MATERIAL REQUIREMENTS

AC 150/5340-5	Segmented Circle Airport Marker System
AC 150/5340-30	Design and Installation Details for airport Visual Aids
AC 150/5345-7	Specification for L-824 Underground Electrical Cable for Airport Lighting Circuits
AC 150/5345-27	Specification for Wind Cone Assemblies
AC 150/5345-53	Airport Lighting Equipment Certification Program
Commercial Item Description A-A-59544	Cable and Wire, Electrical (Power, Fixed Installation)
FED STD 595	Colors Used in Government Procurement
MIL-DTL-24441C/19B	Paint, Epoxy-Polyamide, Zinc Primer, Formula 159, Type III
Underwriters Laboratories Standard 6	Electrical Rigid Metal Conduit – Steel
Underwriters Laboratories Standard 514B	Conduit, Tubing, and Cable Fittings
Underwriters Laboratories Standard 514C	Nonmetallic Outlet Boxes, Flush-Device Boxes, and Covers
Underwriters Laboratories Standard 651	Schedule 40, 80, Type EB and A Rigid PVC Conduit and Fittings
Underwriters Laboratories Standard 651A	Type EB and A Rigid PVC Conduit and HDPE Conduit
Underwriters Laboratories Standard 1242	Electrical Intermediate Metal Conduit - Steel
NFPA-70	National Electric Code (NEC)

END OF ITEM L-107

Intentionally Left Blank

Item L-108 Underground Power Cable for Airports

DESCRIPTION

108-1.1 This item shall consist of furnishing and installing power cables that are direct buried and furnishing and/or installing power cables within conduit or duct banks per these specifications at the locations shown on the plans. It includes excavation and backfill of trench for direct-buried cables only. Also included are the installation of counterpoise wires, ground wires, ground rods and connections, cable splicing, cable marking, cable testing, and all incidentals necessary to place the cable in operating condition as a completed unit to the satisfaction of the Engineer. This item shall not include the installation of duct banks or conduit, trenching and backfilling for duct banks or conduit, or furnishing or installation of cable for FAA owned/operated facilities. Requirements and payment for trenching and backfilling for the installation of underground conduit and duct banks is in Item L-110, Airport Underground Electrical Duct Banks and Conduits.

EQUIPMENT AND MATERIALS

108-2.1 General.

a. Airport lighting equipment and materials covered by advisory circulars (AC) shall be approved under the Airport Lighting Equipment Certification Program per AC 150/5345-53, current version.

b. All other equipment and materials covered by other referenced specifications shall be subject to acceptance through manufacturer's certification of compliance with the applicable specification, when requested by the Engineer.

c. Manufacturer's certifications shall not relieve the Contractor of the responsibility to provide materials per these specifications. Materials supplied and/or installed that do not comply with these specifications shall be removed (when directed by the Engineer) and replaced with materials that comply with these specifications at the Contractor's cost.

d. All materials and equipment used to construct this item shall be submitted to the Engineer for approval prior to ordering the equipment. Submittals consisting of marked catalog sheets or shop drawings shall be provided. Submittal data shall be presented in a clear, precise and thorough manner. Original catalog sheets are preferred. Photocopies are acceptable provided they are as good a quality as the original. Clearly and boldly mark each copy to identify products or models applicable to this project. Indicate all optional equipment and delete any non-pertinent data. Submittals for components of electrical equipment and systems shall identify the equipment to which they apply on each submittal sheet. Markings shall be made bold and clear with arrows or circles (highlighting is not acceptable). The Contractor is solely responsible for delays in the project that may accrue directly or indirectly from late submissions or resubmissions of submittals.

e. The data submitted shall be sufficient, in the opinion of the Engineer, to determine compliance with the plans and specifications. [The Contractor's submittals shall be neatly bound in a properly sized 3-ring binder, tabbed by specification section.] The Engineer reserves the right to reject any and all equipment, materials, or procedures that do not meet the system design and the standards and codes, specified in this document.

f. All equipment and materials furnished and installed under this section shall be guaranteed against defects in materials and workmanship for at least [twelve (12) months] from the date of final acceptance by the Owner. The defective materials and/or equipment shall be repaired or replaced, at the Owner’s discretion, with no additional cost to the Owner. The Contractor shall be responsible to maintain a minimum insulation resistance per AC 150/5340-26B, Maintenance Airport Visual aid Facilities, Table 5-1 and paragraph 5.1.3.1, with isolation transformers connected in new circuits and new segments of existing circuits through the end of the contract warranty period.

The Engineer should specify the form in which submittals are to be received and number of copies.

The length of time for guarantee of materials and workmanship should be as stated in the contract between the Owner and Contractor and the contract special provisions.

Only Third Party certified manufacturers, listed in AC 150/5345-53, Appendix 3 Addendum (as required) and meeting the BUY AMERICAN preference requirements can provide equipment and materials specified in the Contract Documents. Documentation certifying compliance with the BUY AMERICAN preference rules for Airport Improvement Program (AIP) cited in 49 USC §50101) shall be included with each equipment and material submittal.

108-2.2 Cable. Underground cable for airfield lighting facilities (runway and taxiway lights and signs) shall conform to the requirements of AC 150/5345-7, Specification for L-824 Underground Electrical Cable for Airport Lighting Circuits latest edition. Conductors for use on 6.6 ampere primary airfield lighting series circuits shall be single conductor, seven strand, #8 American wire gauge AWG), L-824 [Type B, Type C], 5,000 volts, nonshielded, with [ethylene propylene insulation, cross-linked polyethylene insulation]. Conductors for use on 20 ampere primary airfield lighting series circuits shall be single conductor, seven strand, #6 AWG, L-824 [Type B, Type C], 5,000 volts, nonshielded, with [ethylene propylene insulation, cross-linked polyethylene insulation]. L-824 conductors for use on the L-830 secondary of airfield lighting series circuits shall be sized in accordance with the manufacturer’s recommendations. All other conductors shall comply with FAA and National Electric Code (NEC) requirements. Conductor sizes noted above shall not apply to leads furnished by manufacturers on airfield lighting transformers and fixtures.

Wire for electrical circuits up to 600 volts shall comply with Specification L-824 and/or Federal Specification J-C-30 and shall be type THWN-2, 75°C. Conductors for parallel (voltage) circuits shall be sized and installed in accordance with NFPA-70, National Electrical Code.

Unless noted otherwise, all 600-volt and less non-airfield lighting conductor sizes are based on a 75°C, THWN-2, 600 volt insulation, copper conductors, not more than three single insulated conductors, in raceway, in free air. The conduit/duct sizes are based on the use of THWN-2, 600 volt insulated conductors. The Contractor shall make the necessary increase in conduit/duct sizes for other types of wire insulation. In no case shall the conduit/duct size be reduced. The minimum power circuit wire size shall be #12 AWG.

Conductor sizes may have been adjusted due to voltage drop or other engineering considerations. Equipment provided by the Contractor shall be capable of accepting the quantity and sizes of conductors shown in the Contract Documents. All conductors, pigtails, cable step-down adapters, cable step-up

adapters, terminal blocks and splicing materials necessary to complete the cable termination/splice shall be considered incidental to the respective pay items provided.

Cable type, size, number of conductors, strand and service voltage shall be as specified in the Contract Document.

108-2.3 Bare copper wire (counterpoise, bare copper wire ground and ground rods). Wire for counterpoise or ground installations for airfield lighting systems shall be No. 6 AWG bare solid copper wire for counterpoise and/or No. 6 AWG insulated stranded for ground wire per ASTM B3 and ASTM B8, and shall be [bare copper wire] [tinned copper] per ASTM B33. See AC 150/5340-30 for additional details about counterpoise and ground wire types and installation. For voltage powered circuits, the equipment ground conductor shall be minimum No. 6 AWG, 600V rated, Type XHHW insulated, green color, stranded copper equipment ground conductor.

Ground rods shall be [solid stainless steel] [copper] or [copper-clad steel]. The ground rods shall be of the length and diameter specified on the plans, but in no case be less than [8 feet (2.4 m)] [10 feet (2.54 m)] long and [5/8 inch (16 mm)] [3/4 inch (19 mm)] in diameter.

The Engineer should evaluate the soils in the vicinity of proposed counterpoise and ground rod installations and determine if soil conditions would adversely affect copper. The Engineer shall specify the type of ground rod and counterpoise wire to be installed in consideration of the soil conditions. If tinned copper counterpoise or ground wire is specified, include requirement for UL listing.

108-2.4 Cable connections. In-line connections or splices of underground primary cables shall be of the type called for on the plans, and shall be one of the types listed below. No separate payment will be made for cable connections.

a. The cast splice. A cast splice, employing a plastic mold and using epoxy resin equivalent to that manufactured by 3M™ Company, “Scotchcast” Kit No. 82-B, or as manufactured by Hysol® Corporation, “Hyseal Epoxy Splice” Kit No. E1135, or an approved equivalent, used for potting the splice is acceptable.

b. The field-attached plug-in splice. Figure 3 of AC 150/5345-26, Specification for L-823 Plug and Receptacle, Cable Connectors, employing connector kits, is acceptable for field attachment to single conductor cable. It shall be the Contractor’s responsibility to determine the outside diameter of the cable to be spliced and to furnish appropriately sized connector kits and/or adapters and heat shrink tubing with integral sealant.

c. The factory-molded plug-in splice. Specification for L-823 Connectors, Factory-Molded to Individual Conductors, is acceptable.

d. The taped or heat-shrink splice. Taped splices employing field-applied rubber, or synthetic rubber tape covered with plastic tape is acceptable. The rubber tape should meet the requirements of ASTM D4388 and the plastic tape should comply with Military Specification MIL-I-24391 or Commercial Item Description A-A-55809. Heat shrinkable tubing shall be heavy-wall, self-sealing tubing rated for the voltage of the wire being spliced and suitable for direct-buried installations. The tubing shall be factory coated with a thermoplastic adhesive-sealant that will adhere to the insulation of the wire being spliced forming a moisture- and dirt-proof seal. Additionally, heat shrinkable tubing for multi-conductor cables, shielded cables, and armored cables shall be factory kits that are designed for the application. Heat

shrinkable tubing and tubing kits shall be manufactured by Tyco Electronics/ Raychem Corporation, Energy Division, or approved equivalent.

In all the above cases, connections of cable conductors shall be made using crimp connectors using a crimping tool designed to make a complete crimp before the tool can be removed. All L-823/L-824 splices and terminations shall be made per the manufacturer's recommendations and listings.

All connections of counterpoise, grounding conductors and ground rods shall be made by the exothermic process or approved equivalent, except that a light base ground clamp connector shall be used for attachment to the light base. See AC 150/5340-30 for additional information about methods of attaching a ground to a galvanized light base. All exothermic connections shall be made per the manufacturer's recommendations and listings.

108-2.5 Splicer qualifications. Every airfield lighting cable splicer shall be qualified in making airport cable splices and terminations on cables rated at or above 5,000 volts AC. The Contractor shall submit to the Engineer proof of the qualifications of each proposed cable splicer for the airport cable type and voltage level to be worked on. Cable splicing/terminating personnel shall have a minimum of three (3) years continuous experience in terminating/splicing medium voltage cable.

108-2.6 Concrete. Concrete for cable markers shall be per Specification Item P-610, Structural Portland Cement Concrete.

108-2.7 Flowable backfill. Flowable material used to backfill trenches for power cable trenches shall conform to the requirements of Item P-153, Controlled Low Strength Material.

108-2.8 Cable identification tags. Cable identification tags shall be made from a non-corrosive material with the circuit identification stamped or etched onto the tag. The tags shall be of the type as detailed on the plans.

108-2.9 Tape. Electrical tapes shall be Scotch™ Electrical Tapes –Scotch™ 88 (1-1/2 inch (38 mm) wide) and Scotch™ 130C® linerless rubber splicing tape (2-inch (50 mm) wide), as manufactured by the Minnesota Mining and Manufacturing Company (3M™), or an approved equivalent.

108-2.10 Electrical coating. Electrical coating shall be Scotchkote™ as manufactured by 3M™, or an approved equivalent.

108-2.11 Existing circuits. Whenever the scope of work requires connection to an existing circuit, the circuit's insulation resistance shall be tested, in the presence of the Engineer. The test shall be performed per this item and prior to any activity that will affect the respective circuit. The Contractor shall record the results on forms acceptable to the Engineer. When the work affecting the circuit is complete, the circuit's insulation resistance shall be checked again, in the presence of the Engineer. The Contractor shall record the results on forms acceptable to the Engineer. The second reading shall be equal to or greater than the first reading or the Contractor shall make the necessary repairs to the circuit to bring the second reading above the first reading. All repair costs including a complete replacement of the L-823 connectors, L-830 transformers and L-824 cable, if necessary, shall be borne by the Contractor. All test results shall be submitted in the Operation and Maintenance (O&M) Manual.

108-2.12 Detectable warning tape. Plastic, detectable, American Public Works Association (APWA) Red (electrical power lines, cables, conduit and lighting cable) with continuous legend magnetic tape shall be polyethylene film with a metalized foil core and shall be 3-6 inches (75-150 mm) wide. Detectable tape is incidental to the respective bid item.

CONSTRUCTION METHODS

108-3.1 General. The Contractor shall install the specified cable at the approximate locations indicated on the plans. Unless otherwise shown on the plans, all cable required to cross under pavements expected to carry aircraft loads shall be installed in concrete encased duct banks. Wherever possible, cable shall be run without splices, from connection to connection.

Cable connections between lights will be permitted only at the light locations for connecting the underground cable to the primary leads of the individual isolation transformers. The Contractor shall be responsible for providing cable in continuous lengths for home runs or other long cable runs without connections unless otherwise authorized in writing by the Engineer or shown on the plans.

In addition to connectors being installed at individual isolation transformers, L-823 cable connectors for maintenance and test points shall be installed at locations shown on the plans. Cable circuit identification markers shall be installed on both sides of the L-823 connectors installed or at least once in each access point where L-823 connectors are not installed.

The Engineer should determine and specify on the plans an adequate number of locations for installing L-823 connectors to provide maintenance and test points.

Provide not less than 3 feet (1 m) of cable slack on each side of all connections, isolation transformers, light units, and at points where cable is connected to field equipment. Where provisions must be made for testing or for future above grade connections, provide enough slack to allow the cable to be extended at least one foot (30 cm) vertically above the top of the access structure. This requirement also applies where primary cable passes through empty light bases, junction boxes, and access structures to allow for future connections, or as designated by the Engineer.

Primary airfield lighting cables installed shall have cable circuit identification markers attached on both sides of each L-823 connector and on each airport lighting cable entering or leaving cable access points, such as manholes, hand holes, pull boxes, junction boxes, etc. Markers shall be of sufficient length for imprinting the cable circuit identification legend on one line, using letters not less than 1/4 inch (6 mm) in size. The cable circuit identification shall match the circuits noted on the construction plans.

108-3.2 Installation in duct banks or conduits. This item includes the installation of the cable in duct banks or conduit per the following paragraphs. The maximum number and voltage ratings of cables installed in each single duct or conduit, and the current-carrying capacity of each cable shall be per the latest version of the National Electric Code, or the code of the local agency or authority having jurisdiction.

The Contractor shall make no connections or splices of any kind in cables installed in conduits or duct banks.

Unless otherwise designated in the plans, where ducts are in tiers, use the lowest ducts to receive the cable first, with spare ducts left in the upper levels. Check duct routes prior to construction to obtain assurance that the shortest routes are selected and that any potential interference is avoided.

Duct banks or conduits shall be installed as a separate item per Item L-110, Airport Underground Electrical Duct Banks and Conduit. The Contractor shall run a mandrel through duct banks or conduit prior to installation of cable to ensure that the duct bank or conduit is open, continuous and clear of debris. The mandrel size shall be compatible with the conduit size. The Contractor shall swab out all conduits/ducts and clean light bases, manholes, etc., interiors immediately prior to pulling cable. Once cleaned and swabbed, the light bases and all accessible points of entry to the duct/conduit system shall be

kept closed except when installing cables. Cleaning of ducts, light bases, manholes, etc., is incidental to the pay item of the item being cleaned. All raceway systems left open, after initial cleaning, for any reason shall be re-cleaned at the Contractor's expense. The Contractor shall verify existing ducts proposed for use in this project as clear and open. The Contractor shall notify the Engineer of any blockage in the existing ducts.

The cable shall be installed in a manner that prevents harmful stretching of the conductor, damage to the insulation, or damage to the outer protective covering. The ends of all cables shall be sealed with moisture-seal tape providing moisture-tight mechanical protection with minimum bulk, or alternately, heat shrinkable tubing before pulling into the conduit and it shall be left sealed until connections are made. Where more than one cable is to be installed in a conduit, all cable shall be pulled in the conduit at the same time. The pulling of a cable through duct banks or conduits may be accomplished by hand winch or power winch with the use of cable grips or pulling eyes. Maximum pulling tensions shall not exceed the cable manufacturer's recommendations. A non-hardening cable-pulling lubricant recommended for the type of cable being installed shall be used where required.

The Contractor shall submit the recommended pulling tension values to the Engineer prior to any cable installation. If required by the Engineer, pulling tension values for cable pulls shall be monitored by a dynamometer in the presence of the Engineer. Cable pull tensions shall be recorded by the Contractor and reviewed by the Engineer. Cables exceeding the maximum allowable pulling tension values shall be removed and replaced by the Contractor at the Contractor's expense.

The manufacturer's minimum bend radius or NEC requirements (whichever is more restrictive) shall apply. Cable installation, handling and storage shall be per manufacturer's recommendations. During cold weather, particular attention shall be paid to the manufacturer's minimum installation temperature. Cable shall not be installed when the temperature is at or below the manufacturer's minimum installation temperature. At the Contractor's option, the Contractor may submit a plan, for review by the Engineer, for heated storage of the cable and maintenance of an acceptable cable temperature during installation when temperatures are below the manufacturer's minimum cable installation temperature.

Cable shall not be dragged across base can or manhole edges, pavement or earth. When cable must be coiled, lay cable out on a canvas tarp or use other appropriate means to prevent abrasion to the cable jacket.

108-3.3 Installation of direct-buried cable in trenches. Unless otherwise specified, the Contractor shall not use a cable plow for installing the cable. Cable shall be unreeled uniformly in place alongside or in the trench and shall be carefully placed along the bottom of the trench. The cable shall not be unreeled and pulled into the trench from one end. Slack cable sufficient to provide strain relief shall be placed in the trench in a series of S curves. Sharp bends or kinks in the cable shall not be permitted.

Where cables must cross over each other, a minimum of 3 inches (75 mm) vertical displacement shall be provided with the topmost cable depth at or below the minimum required depth below finished grade.

a. Trenching. Where turf is well established and the sod can be removed, it shall be carefully stripped and properly stored. Trenches for cables may be excavated manually or with mechanical trenching equipment. Walls of trenches shall be essentially vertical so that a minimum of surface is disturbed. Graders shall not be used to excavate the trench with their blades. The bottom surface of trenches shall be essentially smooth and free from coarse aggregate. Unless otherwise specified, cable trenches shall be excavated to a minimum depth of 18 inches (0.5 m) below finished grade per NEC Table 300.5, except as follows:

(1) When off the airport or crossing under a roadway or driveway, the minimum depth shall be 36 inches (91 cm) unless otherwise specified.

(2) Minimum cable depth when crossing under a railroad track, shall be 42 inches (1 m) unless otherwise specified.

Dewatering necessary for cable installation, erosion and turbidity control, per Federal, state, and local requirements is incidental to its respective pay items as part of Item L-108. The cost of all excavation regardless of type of material encountered, shall be included in the unit price bid for the L-108 Item.

The Contractor shall excavate all cable trenches to a width not less than 6 inches (150 mm). Unless otherwise specified on the plans, all cables in the same location and running in the same general direction shall be installed in the same trench.

When rock is encountered, the rock shall be removed to a depth of at least 3 inches (75 mm) below the required cable depth and it shall be replaced with bedding material of earth or sand containing no mineral aggregate particles that would be retained on a 1/4 inch (6 mm) sieve. Flowable backfill material may alternatively be used. The Contractor shall ascertain the type of soil or rock to be excavated before bidding. All such rock removal shall be performed and paid for under Item P-152.

Duct bank or conduit markers temporarily removed for trench excavations shall be replaced as required.

It is the Contractor's responsibility to locate existing utilities within the work area prior to excavation. Where existing active cables cross proposed installations, the Contractor shall ensure that these cables are adequately protected. Where crossings are unavoidable, no splices will be allowed in the existing cables, except as specified on the plans. Installation of new cable where such crossings must occur shall proceed as follows:

(1) Existing cables shall be located manually. Unearthed cables shall be inspected to assure absolutely no damage has occurred.

(2) Trenching, etc., in cable areas shall then proceed, with approval of the Engineer, with care taken to minimize possible damage or disruption of existing cable, including careful backfilling in area of cable.

In the event that any previously identified cable is damaged during the course of construction, the Contractor shall be responsible for the complete repair or replacement.

b. Backfilling. After the cable has been installed, the trench shall be backfilled. The first layer of backfill in the trench shall be 3 inches (75 mm) deep, loose measurement, and shall be either earth or sand containing no mineral aggregate particles that would be retained on a 1/4 inch (6 mm) sieve. This layer shall not be compacted. The second layer shall be 5 inches (125 mm) deep, loose measurement, and shall contain no particles that would be retained on a one inch (25 mm) sieve. The remaining third and subsequent layers of backfill shall not exceed 8 inches (20 cm) of loose measurement and be excavated or imported material and shall not contain stone or aggregate larger than 4 inches (100 mm) maximum diameter.

The second and subsequent layers shall be thoroughly tamped and compacted to at least the density of the adjacent undisturbed soil, and to the satisfaction of the Engineer. If necessary to obtain the desired compaction, the backfill material shall be moistened or aerated as required.

If the cable is to be installed in locations or areas where other compaction requirements are specified (under pavements, embankments, etc.) the compaction requirements per Item P-152 for that area shall be followed.

Trenches shall not contain pools of water during backfilling operations. The trench shall be completely backfilled and tamped level with the adjacent surface, except that when turf is to be established over the trench, the backfilling shall be stopped at an appropriate depth consistent with the type of turfing operation to be accommodated. A proper allowance for settlement shall also be provided. Any excess excavated material shall be removed and disposed of per the plans and specifications.

Underground electrical warning (caution) tape shall be installed in the trench above all direct-buried cable. Contractor shall submit a sample of the proposed warning tape for acceptance by the Engineer. If not shown on the plans, the warning tape shall be located 6 inches (150 mm) above the direct-buried cable or the counterpoise wire if present. A 4-6 inch (100 - 150 mm) wide polyethylene film detectable tape, with a metalized foil core, shall be installed above all direct buried cable or counterpoise. The tape shall be of the color and have a continuous legend as indicated on the plans. The tape shall be installed 8 inch (200 mm) minimum below finished grade.

c. Restoration. Following restoration of all trenching near airport movement surfaces, the Contractor shall visually inspect the area for foreign object debris (FOD) and remove any that is found. Where soil and sod has been removed, it shall be replaced as soon as possible after the backfilling is completed. All areas disturbed by work shall be restored to its original condition. The restoration shall include the [sodding][topsoiling][fertilizing][liming][seeding] [sprigging][mulching] as shown on the plans. The Contractor shall be held responsible for maintaining all disturbed surfaces and replacements until final acceptance. When trenching is through paved areas, restoration shall be equal to existing conditions and compaction shall meet the requirements of Item P-152. Restoration shall be considered incidental to the pay item of which it is a component part.

The Engineer is to specify the correct method of turfing and include in the construction documents the appropriate FAA turfing specification for restoration related to the installation of the power cables.

Under certain conditions, it may be beneficial to install cables by cable plowing. This type of installation method should only be specified where sandy soils are prevalent and with no rocks or other debris that would nick or cut the cable insulation. The Engineer should specify the equipment to be used so the cables are placed at a minimum depth of 18 inches (0.5 m) below finished grade. The cable should be manually unreeled off the spool as the machine travels, such that the earth is not unreeling the spool.

108-3.4 Cable markers for direct-buried cable. The location of direct buried circuits shall be marked by a concrete slab marker, 2 feet (60 cm) square and 4-6 inch (10 - 15 cm) thick, extending approximately one inch (25 mm) above the surface. Each cable run from a line of lights and signs to the equipment vault shall be marked at approximately every 200 feet (61 m) along the cable run, with an additional marker at each change of direction of cable run. All other direct-buried cable shall be marked in the same manner. Cable markers shall be installed directly above the cable. The Contractor shall impress the word "CABLE" and directional arrows on each cable marking slab. The letters shall be approximately 4 inches (100 mm) high and 3 inches (75 mm) wide, with width of stroke 1/2 inch (12 mm) and 1/4 inch (6 mm) deep.

At the location of each underground cable connection, except at lighting units, or isolation transformers, or power a concrete marker slab must mark adapters placed above the connection. The Contractor shall impress the word "SPlice" on each slab. The Contractor also shall impress additional circuit identification symbols on each slab as directed by the Engineer. All cable markers and splice markers shall be painted international orange. Paint shall be specifically manufactured for uncured exterior

concrete. After placement, all cable or splice markers shall be given one coat of high-visibility aviation orange paint as approved by the Engineer. Furnishing and installation of cable markers is incidental to the respective cable pay item.

108-3.5 Splicing. Connections of the type shown on the plans shall be made by experienced personnel regularly engaged in this type of work and shall be made as follows:

a. Cast splices. These shall be made by using crimp connectors for jointing conductors. Molds shall be assembled, and the compound shall be mixed and poured per the manufacturer's instructions and to the satisfaction of the Engineer.

b. Field-attached plug-in splices. These shall be assembled per the manufacturer's instructions. These splices shall be made by plugging directly into mating connectors. In all cases the joint where the connectors come together shall be wrapped with at least one layer of rubber or synthetic rubber tape and one layer of plastic tape, one-half lapped, extending at least 1-1/2 inches (38 mm) on each side of the joint.

c. Factory-molded plug-in splices. These shall be made by plugging directly into mating connectors. In all cases, the joint where the connectors come together shall be wrapped with at least one layer of rubber or synthetic rubber tape and one layer of plastic tape, one-half lapped, extending at least 1-1/2 inches (38 mm) on each side of the joint.

d. Taped or heat-shrink splices. A taped splice shall be made in the following manner:

Bring the cables to their final position and cut so that the conductors will butt. Remove insulation and jacket allowing for bare conductor of proper length to fit compression sleeve connector with 1/4 inch (6 mm) of bare conductor on each side of the connector. Prior to splicing, the two ends of the cable insulation shall be penciled using a tool designed specifically for this purpose and for cable size and type. Do not use emery paper on splicing operation since it contains metallic particles. The copper conductors shall be thoroughly cleaned. Join the conductors by inserting them equidistant into the compression connection sleeve. Crimp conductors firmly in place with crimping tool that requires a complete crimp before tool can be removed. Test the crimped connection by pulling on the cable. Scrape the insulation to assure that the entire surface over which the tape will be applied (plus 3 inches (75 mm) on each end) is clean. After scraping wipe the entire area with a clean lint-free cloth. Do not use solvents.

Apply high-voltage rubber tape one-half lapped over bare conductor. This tape should be tensioned as recommended by the manufacturer. Voids in the connector area may be eliminated by highly elongating the tape, stretching it just short of its breaking point. Throughout the rest of the splice less tension should be used. Always attempt to exactly half-lap to produce a uniform buildup. Continue buildup to 1-1/2 times cable diameter over the body of the splice with ends tapered a distance of approximately one inch (25 mm) over the original jacket. Cover rubber tape with two layers of vinyl pressure-sensitive tape one-half lapped. Do not use glyptol or lacquer over vinyl tape as they react as solvents to the tape. No further cable covering or splice boxes are required.

Heat shrinkable tubing shall be installed following manufacturer's instructions. Direct flame heating shall not be permitted unless recommended by the manufacturer. Cable surfaces within the limits of the heat-shrink application shall be clean and free of contaminants prior to application.

Surfaces of equipment or conductors being terminated or connected shall be prepared in accordance with industry standard practice and manufacturer's recommendations. All surfaces to be connected shall be thoroughly cleaned to remove all dirt, grease, oxides, nonconductive films, or other foreign material. Paints and other nonconductive coatings shall be removed to expose base metal. Clean all surfaces at least 1/4 inch (6.4 mm) beyond all sides of the larger bonded area on all mating surfaces. Use a joint compound suitable for the materials used in the connection. Repair painted/coated surface to original condition after completing the connection.

108-3.6 Bare counterpoise wire installation for lightning protection and grounding. If shown on the plans or included in the job specifications, bare solid [#6 AWG] copper counterpoise wire shall be installed for lightning protection of the underground cables. The Engineer shall select one of two methods of lightning protection for the airfield lighting circuit based on the frequency of local lightning:

a. Equipotential. – may be used by the Engineer for areas that have high rates of lightning strikes. This is where the counterpoise is bonded to the light base (edge lights included) and counterpoise size is determined by the Engineer.

b. Isolation – used in areas where lightning strikes are not common. The counterpoise is not bonded to edge light fixtures, in-pavement fixtures are bonded to the counterpoise. Counterpoise size is selected by the Engineer.

Counterpoise wire shall be installed in the same trench for the entire length of buried cable, conduits and duct banks that are installed to contain airfield cables.

The Engineer shall select one of the two methods of lightning protection for the airfield lighting circuit.

[For edge light fixtures installed in turf (stabilized soils) and for raceways or cables adjacent to the full strength pavement edge, the counterpoise conductor shall be installed halfway between the pavement edge and the light base, mounting stake, raceway, or cable.

The counterpoise conductor shall be installed 8 inches (203 mm) minimum below grade.

Each light base or mounting stake shall be provided with a grounding electrode.

When a metallic light base is used, the grounding electrode shall be bonded to the metallic light base or mounting stake with a No. 6 AWG bare, annealed or soft drawn, solid copper conductor.

When a nonmetallic light base is used, the grounding electrode shall be bonded to the metallic light fixture or metallic base plate with a No. 6 AWG bare, annealed or soft drawn, solid copper conductor.]

[For raceways installed under pavement; for raceways and cables not installed adjacent to the full strength pavement edge; for fixtures installed in full strength pavement and shoulder pavement and for optional method of edge lights installed in turf (stabilized soils); and for raceways or cables adjacent to the full strength pavement edge, the counterpoise conductor shall be centered over the raceway or cable to be protected as described below.

The counterpoise conductor shall be installed no less than 8 inches (203 mm) above the raceway or cable to be protected, except as permitted below.

The minimum counterpoise conductor height above the raceway or cable to be protected shall be permitted to be adjusted subject to coordination with the airfield lighting and pavement designs.

Where raceway is installed by the directional bore, jack and bore, or other drilling method, the counterpoise conductor shall be permitted to be installed concurrently with the directional bore, jack and bore, or other drilling method raceway, external to the raceway or sleeve.

The counterpoise conductor shall be installed no more than 12 inches (305 mm) above the raceway or cable to be protected.

The counterpoise conductor height above the protected raceway(s) or cable(s) shall be calculated to ensure that the raceway or cable is within a 45-degree area of protection.

The counterpoise conductor shall be bonded to each metallic light base, mounting stake, and metallic airfield lighting component.

All metallic airfield lighting components in the field circuit on the output side of the constant current regulator (CCR) or other power source shall be bonded to the airfield lighting counterpoise system.]

The counterpoise wire shall also be exothermically welded to ground rods installed as shown on the plans but not more than 500 feet (150 m) apart around the entire circuit. The counterpoise system shall be continuous and terminate at the transformer vault or at the power source. It shall be securely attached to the vault or equipment external ground ring or other made electrode-grounding system. The connections shall be made as shown on the plans and in the specifications.

If shown on the plans or in the specifications, a separate equipment (safety) ground system shall be provided in addition to the counterpoise wire using one of the following methods:

c. A ground rod installed at and securely attached to each light fixture base, mounting stake, and to all metal surfaces at junction/access structures via #6 AWG wire.

d. For parallel voltage systems only, install a #6 AWG green insulated equipment ground conductor internal to the conduit system and securely attached it to each light fixture base internal grounding lug and to all metal surfaces at junction/access structures. Dedicated ground rods shall be installed and exothermically welded to the counterpoise wires at each end of a duct bank crossing under pavement.

Where an existing airfield lighting system is being extended or modified, the new counterpoise conductors shall be interconnected to existing counterpoise conductors at each intersection of the new and existing airfield lighting counterpoise systems.

108-3.7 Counterpoise installation above multiple conduits and duct banks. Counterpoise wires shall be installed above multiple conduits/duct banks for airfield lighting cables, with the intent being to provide a complete area of protection over the airfield lighting cables. When multiple conduits and/or duct banks for airfield cable are installed in the same trench, the number and location of counterpoise wires above the conduits shall be adequate to provide a complete cone of protection measured 22-1/2 degrees each side of vertical.

Where duct banks pass under pavement to be constructed in the project, the counterpoise shall be placed above the duct bank. Reference details on the construction plans.

108-3.8 Counterpoise installation at existing duct banks. When airfield lighting cables are indicated on the plans to be routed through existing duct banks, the new counterpoise wiring shall be terminated at ground rods at each end of the existing duct bank where the cables being protected enter and exit the duct bank. The new counterpoise conductor shall be bonded to the existing counterpoise system.

108-3.9 Exothermic bonding. Bonding of counterpoise wire shall be by the exothermic welding process. Only personnel experienced in and regularly engaged in this type of work shall make these connections.

Contractor shall demonstrate to the satisfaction of the Engineer, the welding kits, materials and procedures to be used for welded connections prior to any installations in the field. The installations shall comply with the manufacturer’s recommendations and the following:

- a. All slag shall be removed from welds.
- b. Using an exothermic weld to bond the counterpoise to a lug on a galvanized light base is not recommended unless the base has been specially modified. Consult the manufacturer’s installation directions for proper methods of bonding copper wire to the light base. See also AC 150/5340-30 for galvanized light base exception.
- c. If called for in the plans, all buried copper and weld material at weld connections shall be thoroughly coated with 6 mm of 3M™ Scotchkote™, or approved equivalent, or coated with coal tar Bitumastic® material to prevent surface exposure to corrosive soil or moisture.

108-3.10 Testing. The Contractor shall furnish all necessary equipment and appliances for testing the airport electrical systems and underground cable circuits before and after installation. The Contractor shall perform all tests in the presence of the Engineer. The Contractor shall demonstrate the electrical characteristics to the satisfaction of the Engineer. All costs for testing are incidental to the respective item being tested. For phased projects, the tests must be completed by phase. The Contractor must maintain the test results throughout the entire project as well as during the warranty period that meet the following:

- a. Earth resistance testing methods shall be submitted to the Engineer for approval. Earth resistance testing results shall be recorded on an approved form and testing shall be performed in the presence of the Engineer. All such testing shall be at the sole expense of the Contractor.
- b. Should the counterpoise or ground grid conductors be damaged or suspected of being damaged by construction activities the Contractor shall test the conductors for continuity with a low resistance ohmmeter. The conductors shall be isolated such that no parallel path exists and tested for continuity. The Engineer shall approve of the test method selected. All such testing shall be at the sole expense of the Contractor.

After installation, the Contractor shall test and demonstrate to the satisfaction of the Engineer the following:

- c. That all affected lighting power and control circuits (existing and new) are continuous and free from short circuits.
- d. That all affected circuits (existing and new) are free from unspecified grounds.
- e. That the insulation resistance to ground of all new non-grounded high voltage series circuits or cable segments is not less than [___] megohms.

Engineer shall determine minimum insulation resistance value based upon system design criteria and area experience. Minimum value shall be that recommended in AC 150/5340-26.

- f. That the insulation resistance to ground of all new non-grounded conductors of new multiple circuits or circuit segments is not less than 100 megohms.
- g. That all affected circuits (existing and new) are properly connected per applicable wiring diagrams.

h. That all affected circuits (existing and new) are operable. Tests shall be conducted that include operating each control not less than 10 times and the continuous operation of each lighting and power circuit for not less than 1/2 hour.

i. That the impedance to ground of each ground rod does not exceed 25 ohms prior to establishing connections to other ground electrodes. The fall-of-potential ground impedance test shall be used, as described by American National Standards Institute/Institute of Electrical and Electronic Engineers (ANSI/IEEE) Standard 81, to verify this requirement. As an alternate, clamp-on style ground impedance test meters may be used to satisfy the impedance testing requirement. Test equipment and its calibration sheets shall be submitted for review and approval by the Engineer prior to performing the testing.

Two copies of tabulated results of all cable tests performed shall be supplied by the Contractor to the Engineer. Where connecting new cable to existing cable, ground resistance tests shall be performed on the new cable prior to connection to the existing circuit.

There are no approved "repair" procedures for items that have failed testing other than complete replacement.

METHOD OF MEASUREMENT

108-4.1 [Trenching shall be measured by the linear feet (meters) of trench, including the excavation, backfill, and restoration, completed, measured as excavated, and accepted as satisfactory. When specified, separate measurement shall be made for trenches of various specified widths.]

[The cost of all excavation, backfill, dewatering and restoration regardless of the type of material encountered shall be included in the unit price bid for the work.]

The Engineer shall select whether trenching will be measured separately or included in the installation of the cable or counterpoise. Paragraphs 108-4.1 and 108-5.1 shall be modified accordingly.

108-4.2 Cable or counterpoise wire installed in trench, duct bank or conduit shall be measured by the number of linear feet (meters) installed and grounding connectors, and trench marking tape ready for operation, and accepted as satisfactory. Separate measurement shall be made for each cable or counterpoise wire installed in trench, duct bank or conduit. The measurement for this item [shall] [shall not] include additional quantities required for slack.

The Engineer is to decide if the quantity of cable provided in the bid tabulations includes an estimated quantity for slack. If so, this should be clearly identified on the plans and specifications. If not, add the following language at the end of paragraph 108-4.2:

“Cable and counterpoise slack is considered incidental to this item and is included in the Contractor’s unit price. No separate measurement or payment will be made for cable or counterpoise slack.”

108-4.3 Ground rods shall be measured by each [8-foot] section installed complete.

BASIS OF PAYMENT

108-5.1 Payment will be made at the contract unit price for trenching, cable and bare counterpoise wire installed in trench (direct-buried), or cable and equipment ground installed in duct bank or conduit, in place by the Contractor and accepted by the Engineer. This price shall be full compensation for furnishing all materials and for all preparation and installation of these materials, and for all labor, equipment, tools, and incidentals, including ground rods and ground connectors and trench marking tape, necessary to complete this item.

Payment will be made under:

- | | |
|----------------|--|
| Item L-108-5.1 | Trenching for direct-buried cable, 18 inch minimum depth - per linear foot (meter) |
| Item L-108-5.2 | [No. 8 AWG][No. 6 AWG], [5 kV][600V], L-824, [Type C][Type B] Cable, Installed in Trench, Duct Bank or Conduit - per linear foot (meter) |

Engineer to specify appropriate size of cable. If more than one size is required on the project, provide additional item nos.; one for each size and type.

- | | |
|----------------|--|
| Item L-108-5.3 | No. 6 AWG, Solid, Bare Counterpoise Wire, Installed in Trench, Above the Duct Bank or Conduit, Including Ground Rods and Ground Connectors - per linear foot (meter) |
| Item L-108-5.4 | No. 6 AWG, [Bare][Insulated], Stranded Equipment Ground, Installed in Duct Bank or Conduit – per linear foot (meter). |

MATERIAL REQUIREMENTS

- | | |
|---------------------------------------|--|
| AC 150/5340-26 | Maintenance of Airport Visual Aid Facilities |
| AC 150/5340-30 | Design and Installation Details for Airport Visual Aids |
| AC 150/5345-7 | Specification for L-824 Underground Electrical Cable for Airport Lighting Circuits |
| AC 150/5345-26 | Specification for L-823 Plug and Receptacle, Cable Connectors |
| AC 150/5345-53 | Airport Lighting Equipment Certification Program |
| Commercial Item Description A-A-59544 | Cable and Wire, Electrical (Power, Fixed Installation) |

Commercial Item Description A-A-55809	Insulation Tape, Electrical, Pressure-Sensitive Adhesive, Plastic
ASTM B3	Standard Specification for Soft or Annealed Copper Wire
ASTM B8	Standard Specification for Concentric-Lay-Stranded Copper Conductors, Hard, Medium-Hard, or Soft
ASTM B33	Standard Specification for Tin-Coated Soft or Annealed Copper Wire for Electrical Purposes
ASTM D4388	Standard Specification for Nonmetallic Semi-Conducting and Electrically Insulating Rubber Tapes
FED SPEC J-C-30	Cable and Wire, Electrical (Power, Fixed Installation)
MIL-I-24391	Insulation Tape, Electrical, Plastic, Pressure Sensitive

REFERENCE DOCUMENTS

NFPA-70	National Electrical Code (NEC)
NFPA-780	Standard for the Installation of Lightning Protection Systems
MIL-S-23586F	Performance Specification: Sealing Compound (with Accelerator), Silicone Rubber, Electrical
ANSI/IEEE STD 81	IEEE Guide for Measuring Earth Resistivity, Ground Impedance, and Earth Surface Potentials of a Ground System

END OF ITEM L-108

Intentionally Left Blank

Item L-109 Airport Transformer Vault and Vault Equipment

DESCRIPTION

109-1.1 This item shall consist of constructing an airport transformer vault or a prefabricated metal housing per these specifications and per the design and dimensions shown in the plans. This work shall also include the installation of conduits in the floor and foundation, painting and lighting of the vault or metal housing, and the furnishing of all incidentals that are necessary to produce a completed unit. Included as a separate part under this item or as a separate item where an existing vault is to be used shall be the furnishing of all vault equipment, wiring, electrical buses, cable, conduit, potheads, and grounding systems. This work shall also include the painting of equipment and conduit; the marking and labeling of equipment and the labeling or tagging of wires; the testing of the installation; and the furnishing of all incidentals necessary to place it in operating condition as a completed unit to the satisfaction of the Engineer.

EQUIPMENT AND MATERIALS

109-2.1 General.

a. Airport lighting equipment and materials covered by advisory circulars (AC) shall be certified and listed in AC 150/5345-53, Airport Lighting Equipment Certification Program.

b. All other equipment and materials covered by other referenced specifications shall be subject to acceptance through manufacturer's certification of compliance with the applicable specification when requested by the Engineer.

c. Manufacturer's certifications shall not relieve the Contractor of the responsibility to provide materials per these specifications. Materials supplied and/or installed that do not comply with these specifications shall be removed (when directed by the Engineer) and replaced with materials that comply with these specifications at the Contractor's cost.

d. All materials and equipment used to construct this item shall be submitted to the Engineer for approval prior to ordering the equipment. Submittals consisting of marked catalog sheets or shop drawings shall be provided. Submittal data shall be presented in a clear, precise and thorough manner. Original catalog sheets are preferred. Photocopies are acceptable provided they are as good a quality as the original. Clearly and boldly mark each copy to identify products or models applicable to this project. Indicate all optional equipment and delete any non-pertinent data. Submittals for components of electrical equipment and systems shall identify the equipment to which they apply on each submittal sheet. Markings shall be made bold and clear with arrows or circles (highlighting is not acceptable). The Contractor is solely responsible for delays in the project that may accrue directly or indirectly from late submissions or resubmissions of submittals.

e. The data submitted shall be sufficient, in the opinion of the Engineer, to determine compliance with the plans and specifications. [The Contractor's submittals shall be neatly bound in a properly sized 3-ring binder, tabbed by specification section.] The Engineer reserves the right to reject any and all equipment, materials or procedures that do not meet the system design and the standards and codes, specified in this document.

f. All equipment and materials furnished and installed under this section shall be guaranteed against defects in materials and workmanship for a period of at least [twelve (12) months] from final acceptance by the Owner. The defective materials and/or equipment shall be repaired or replaced, at the Owner's discretion, with no additional cost to the Owner.

The Engineer should specify the form in which submittals are to be received and number of copies.

The length of time for guarantee of materials and workmanship should be as stated in the contract between the Owner and Contractor and the contract special provisions.

CONSTRUCTION OF VAULT AND PREFABRICATED METAL HOUSING

109-2.2 Concrete. The concrete for the vault shall be proportioned, placed, and cured per Item P-610, Structural Portland Cement Concrete, using 3/4 inch (19 mm) maximum size coarse aggregate.

109-2.3 Reinforcing steel. Reinforcing steel bars shall be intermediate or structural grade deformed-type bars and shall be per ASTM A615.

109-2.4 Brick. Brick shall be per ASTM C62, Grade SW.

109-2.5 Rigid steel conduit. Rigid steel conduit and fittings shall be per Underwriters Laboratories Standards 6 and 514B.

109-2.6 Plastic Conduit and fittings. Plastic Conduit and fittings shall conform to the requirements of Federal Specification W-C-1094 and UL-651 and UL-654 schedule 40 polyvinyl chloride (PVC) suitable for use above or below ground.

109-2.7 Lighting. Vault or metal-housing light fixtures shall be of a vapor-proof type.

109-2.8 Outlets. Convenience outlets shall be heavy-duty duplex units designed for industrial service.

109-2.9 Switches. Vault or metal-housing light switches shall be single-pole switches.

109-2.10 Paint.

a. Priming paint for non-galvanized metal surfaces shall be a high solids alkyd primer per Society for Protective Coatings (SSPC) Specification – Paint 25, Primer, Raw Linseed Oil and Alkyd Primer, (Without Lead and Chromate Pigments).

b. White paint for body and finish coats on metal and wood surfaces shall be ready-mixed paint conforming to the Master Painter's Institute (MPI), Reference #9, Exterior Alkyd, Gloss.

c. Priming paint for wood surfaces shall be mixed on the job by thinning the specified white paint by adding 1/2 pint (0.24 liter) of raw linseed oil to each gallon (liter).

d. Paint for the floor, ceiling, and inside walls shall be per Porter Paint Company 69, 71, and 79 or equivalent. Walls and ceiling shall be light gray and the floor shall be medium gray.

e. The roof coating shall be hot asphalt material per ASTM D2823. Asbestos-free roof coating per ASTM D4479 may be substituted if required by local codes.

109-2.11 Ground bus. Ground bus shall be 1/8 × 3/4 inch (3 × 19 mm) minimum copper bus bar.

109-2.12 Square duct. Duct shall be square similar to that manufactured by the Square D Company (or equivalent), or the Trumbull Electric Manufacturing Company (or equivalent). The entire front of the duct on each section shall consist of hinged or removable cover for ready access to the interior. The cross-section of the duct shall be not less than 4 × 4 inch (100 × 100 mm) except where otherwise shown in the plans.

109-2.13 Ground rods. Ground rods shall be in accordance with L-108.

109-2.14 Potheads. Potheads shall be similar to Gear and Williams (G&W) Type N, Shape C (or equivalent), unless otherwise specified. Potheads shall be furnished with plain insulator bushings and conduit couplings. Potheads shall have a rating not less than the circuit voltage.

109-2.15 Vault prefabricated metal housing. The prefabricated metal housing shall be a commercially available unit.

109-2.16 FAA-approved equipment. Certain items of airport lighting equipment installed in vaults are covered by individual ACs listed below:

AC 150/5345-3	Specification for L-821, Panels for Remote Control of Airport Lighting
AC 150/5345-5	Circuit Selector Switch
AC 150/5345-7	Specification for L-824 Underground Electrical Cable for Airport Lighting Circuits
AC 150/5345-10	Specification for Constant Current Regulators and Regulator Monitors
AC 150/5345-13	Specification for L-841 Auxiliary Relay Cabinet Assembly for Pilot Control of Airport Lighting Circuits.
AC 150/5345-49	Specification for L-854, Radio Control Equipment

109-2.17 Other electrical equipment. Distribution transformers, oil switches, cutouts, relays, terminal blocks, transfer relays, circuit breakers, and all other regularly used commercial items of electrical equipment not covered by FAA equipment specifications and ACs shall conform to the applicable rulings and standards of the Institute of Electrical and Electronic Engineers (IEEE) or the National Electrical Manufacturers Association (NEMA). When specified, test reports from a testing laboratory indicating that the equipment meets the specifications shall be supplied. In all cases, equipment shall be new and a first-grade product. This equipment shall be supplied in the quantities required for the specific project and shall incorporate the electrical and mechanical characteristics specified in the proposal and plans. Equipment selected and installed by the Contractor shall maintain the interrupting current rating of the existing systems or specified rating whichever is greater.

109-2.18 Wire. Wire (in conduit) rated up to 5,000 volts shall be per AC 150/5345-7, Specification for L-824 Underground Electrical Cables for Airport Lighting Circuits. For ratings up to 600 volts, moisture and heat resistant thermoplastic wire conforming to Commercial Item Description A-A-59544A Type THWN-2 shall be used. The wires shall be of the type, size, number of conductors, and voltage shown in the plans or in the proposal.

a. Control circuits. Unless otherwise indicated on the plans, wire shall be not less than No. 12 American wire gauge (AWG) and shall be insulated for 600 volts. If telephone control cable is specified, No. 19 AWG telephone cable per ANSI/Insulated Cable Engineers Association (ICEA) S-85-625-2007 specifications shall be used.

b. Power circuits.

(1) 600 volts maximum-Wire shall be No. 6 AWG or larger and insulated for at least 600 volts.

(2) 3,000 volts maximum-Wire shall be No. 6 AWG or larger and insulated for at least 3,000 volts.

(3) Over 3,000 volts-Wire shall be No. 6 AWG or larger and insulated for at least the circuit voltage.

109-2.19 Short circuit / coordination / device evaluation / arc flash analysis. The Contractor shall, based upon the equipment provided, include as a part of the submittal process the electrical system “Short Circuit / Coordination / Device evaluation / Arc Flash Analysis”. The analysis shall be performed by the equipment manufacturer and submitted in a written report. The analysis shall be signed and sealed by a registered professional Engineer from the state in which the project is located. The analysis shall comply with NFPA-70E and IEEE 1584.

The analysis will include: one line diagrams, short circuit analysis, coordination analysis, equipment evaluation, arc flash analysis and arc flash labels containing at a minimum, equipment name, voltage/current rating, available incident energy and flash protection boundary.

The selected firms field service Engineer shall perform data gathering for analysis completion and device settings, perform device setting as recommended by the analysis and will furnish and install the arc flash labels. The components worst case incident energy will be considered the available arc flash energy at that specific point in the system. Submit three written copies and one electronic copy of the report.

CONSTRUCTION METHODS

CONSTRUCTION OF VAULT AND PREFABRICATED METAL HOUSING

109-3.1 General. The Contractor shall construct the transformer vault or prefabricated metal housing at the location indicated in the plans. Vault construction shall be reinforced concrete, concrete masonry, or brick wall as specified. The metal housing shall be prefabricated equipment enclosure to be supplied in the size specified. The mounting pad or floor details, installation methods, and equipment placement are shown in the plans.

The Contractor shall clear, grade, and seed the area around the vault or metal housing for a minimum distance of 10 feet (3 m) on all sides. The slope shall be not less than 1/2 inch per foot (12 mm per 0.3 m) away from the vault or metal housing in all directions.

The vault shall provide adequate protection against weather elements, including rain, wind-driven dust, snow, ice and excessive heat. The vault shall have sufficient filtered ventilation, to assure that the interior room temperatures and conditions do not exceed the recommended limits of the electrical equipment to be installed in the vault. The Contractor is responsible for contacting the manufacturer of the equipment to be installed to obtain environmental limitations of the equipment to be installed. [Refer to the electrical vault detail plan sheets for construction requirements. The prefabricated building shall include roof, walls and floor in accordance with the details and these specifications.]

The electrical vault shall provide reasonable protection of the equipment that it is intended to house. Because most of the equipment located in the vault is likely housed in NEMA 1 enclosures, the vault itself shall be designed to provide sufficient protection against weather elements.

Assure that the vault that is to be supplied has sufficient environmental controls to provide adequate ventilation to maintain temperatures within operational

requirements of the equipment to be installed. In addition, make sure that vault has sufficient seals and/or filters on doors and other openings to assure that wind-driven dust does not affect the operation of equipment.

109-3.2 Foundation and walls.

a. Reinforced concrete construction. The Contractor shall construct the foundation and walls per the details shown in the plans. Unless otherwise specified, internal ties shall be of the mechanical type so that when the forms are removed the ends of the ties shall be at least one inch (25 mm) beneath the concrete surface; the holes shall be plugged and finished to prevent discoloration. Reinforcing steel shall be placed, as shown in the drawings, and secured in position to prevent displacement during the concrete placement.

The external surfaces of the concrete shall be thoroughly worked during the placing operation to force all coarse aggregate from the surface. Thoroughly work the mortar against the forms to produce a smooth finish free from air pockets and honeycomb.

The surface film of all pointed surfaces shall be removed before setting occurs. As soon as the pointing has set sufficiently, the entire surface inside and outside of the vault shall be thoroughly wet with water and rubbed with a No. 16 carborundum stone, or equivalent quality abrasive, bringing the surface to a paste. All form marks and projections shall be removed. The surface produced shall be smooth and dense without pits or irregularities. The materials which have been ground into a paste during the rubbing process shall be spread or brushed uniformly over the entire surface (except the interior surfaces that are to be painted shall have all paste removed by washing before painting) and permitted to reset. Final exterior finish shall be obtained by rubbing with No. 30 carborundum stone, or an equivalent quality abrasive. The surface shall be rubbed until the entire surface is smooth and uniform in color.

b. Brick and concrete construction. When this type of construction is specified, the foundation shall be concrete conforming to the details shown in the plans. The outer edge of the foundation at the floor level shall be beveled 1-1/2 inches (38 mm) at 45 degrees. Brick walls shall be 8 inches (200 mm) thick, laid in running bond with every sixth course a header course. Brick shall be laid in cement mortar (one part masonry cement and 3 parts sand) with full mortar bed and shovled joints. All joints shall be completely filled with mortar, and facing brick shall be back-parged with mortar as work progresses. All joints shall be 3/8 inch (9 mm) thick, exterior joints tooled concave, and interior joints struck flush. Both interior and exterior brick surfaces shall be cleaned and nail holes, cracks and other defects filled with mortar. When specified, a nonfading mineral pigment mortar coloring shall be added to the mortar. Steel reinforcing bars, 3/8 inch (9 mm) in diameter and 12 inches (300 mm) long, shall be set vertically in the center of the brick wall on not more than 2 feet (60 cm) centers to project 2-1/2 inches (60 mm) into the concrete roof slab. Lintels for supporting the brickwork over doors, windows, and louvers shall consist of two 4 × 3 × 3/8 inch (100 × 75 × 9 mm) steel angles. Lintels shall be painted with one coat of corrosion-inhibiting primer before installation, and all exposed parts shall be painted similar to doors and window sash after installation.

Window sills may be concrete poured in place or precast concrete as indicated in the plans. All exposed surfaces shall have a rubbed finish as specified under reinforced concrete construction. After completion, all interior and exterior faces of walls shall be scrubbed with a solution of muriatic acid and water in the proportions of not less than one part acid to 10 parts of water. All traces of efflorescence, loose mortar, and mortar stain shall be removed, and the walls washed down with clear water.

c. Concrete masonry construction. When this type of construction is specified, the foundation shall be concrete conforming to the details shown in the plans. The concrete masonry units shall be standard sizes and shapes and shall conform to ASTM C90 and shall include the closures, jambs, and other shapes required by the construction as shown in the plans. Standard construction practice shall be followed for

this type of work including mortar, joints, reinforcing steel for extensions into roof slab, etc. Plaster for interior walls, if specified, shall be Portland cement plaster.

109-3.3 Roof. The roof shall be reinforced concrete as shown in the plans. Reinforcing steel shall be placed as shown in the drawing and secured in position to prevent displacement during the pouring of the concrete. The concrete shall be poured monolithically and shall be free of honeycombs and voids. The surface shall have a steel-troweled finish and shall be sloped as shown in the drawing. The underside of the roof slab shall be finished in the same manner as specified for walls.

One brush or mop coat of hot asphalt roof coating shall be applied to the top surface of the roof slab. The asphalt material shall be heated to within the range specified by the manufacturer and immediately applied to the roof. The finished coat shall be continuous over the roof surface and free from holidays and blisters. Smears and dribbles of asphalt on the roof edges and building walls shall be removed.

109-3.4 Floor. The floor shall be reinforced concrete as shown in the drawings. When present, all sod, roots, refuse, and other perishable material shall be removed from the area under the floor to a depth of 8 inches (200 mm), unless a greater depth is specified in the invitation for bids. This area shall be backfilled with materials consisting of sand, cinders, gravel, or stone. Fill shall be placed in layers not to exceed 4 inches (100 mm) and shall be thoroughly compacted by tamping or rolling. A layer of building paper shall be placed over the fill prior to placing concrete. The floor surfaces shall have a steel-troweled finish. The floor shall be level unless a drain is specified, in which case the floor shall be pitched 1/4 inch (6 mm) per foot downward toward the drain. A 1/4-inch (6-mm) asphalt felt expansion joint shall be placed between floor and foundation walls. The floor shall be poured monolithically and shall be free of honeycombs and voids.

109-3.5 Floor drain. If shown in the plans, a floor drain and dry well shall be installed in the center of the floor of the equipment room. The dry well shall be excavated 4 × 4 feet (1.2 × 1.2 m) square and to a depth of 4 feet (1.2 m) below the finished floor elevation and shall be backfilled to the elevation of the underside of the floor with gravel - which shall all pass a 2 inches (50 mm) mesh sieve and shall all be retained on a 1/4 inch (6 mm) mesh sieve. The gravel backfill shall be placed in 6 inch (150 mm) maximum layers, and the entire surface of each layer shall be tamped either with a mechanical tamper or with a hand tamper weighing not less than 25 pounds (11 kg) and having a face area of not more than 36 square inches (232 square cm) nor less than 16 square inches (103 square cm). The drain inlet shall be set flush in the concrete floor. The drain shall have a clear opening of not less than 8 inch (200 mm) in diameter.

109-3.6 Conduits in floor and foundation. Conduits shall be installed in the floor and through the foundation walls per the details shown in the plans. All underground conduit shall be painted with a bituminous compound. Conduit shall be installed with a coupling or metal conduit adapter flush with the top of the floor. All incoming conduit shall be closed with a pipe plug to prevent the entrance of foreign material during construction. Space conduit entrances shall be left closed.

109-3.7 Doors. Doors shall be metal-clad fireproof Class A (three (3) hour rated) doors conforming to requirements of the National Electrical Code (NEC) and local electrical codes. Panic bar exit hardware shall be installed per NEC requirements. Refer to the new electrical vault detail plan sheets for construction requirements."

109-3.8 Painting. The floor, ceiling, and inside walls of concrete construction shall first be given a hardening treatment, after which the Contractor shall apply two coats of paint as specified below, except that interior face brick walls need not be painted. The hardening treatment shall consist of applying two coats of either a commercial floor hardener or a solution made by dissolving 2 pounds (0.9 kg) of magnesium fluorosilicate or zinc sulfate crystals in one gallon (liter) of water. Each coat shall be allowed to dry at least 48 hours before the next application. After the second treating coat has dried, the surfaces shall be brushed clean of all crystals and thoroughly washed with clear water. Paint for walls and ceiling

shall be a light gray color approved by the Engineer. The floor paint shall be a medium gray color approved by the Engineer. Before painting, the surfaces shall be dry and clean. The first coat shall be thinned by adding 2/3-quart (0.63 liters) of spar varnish and 1/3-quart (0.31 liters) of turpentine to each gallon (liter) of paint. The second coat shall be applied without thinning. All doors, lintels, and windows shall be cleaned to remove any rust or foreign material and shall be given one body and one finish coat of white paint. Bare metal surfaces shall be given a prime coat of corrosion-inhibiting primer prior to the body and finish coats.

109-3.9 Lights and switches. The Contractor shall furnish and install a minimum of two duplex convenience outlets in the vault room. Where a control room is specified, at least two duplex outlets shall be installed.

INSTALLATION OF EQUIPMENT IN VAULT OR PREFABRICATED METAL HOUSING

109-3.10 General. The Contractor shall furnish, install, and connect all equipment, equipment accessories, conduit, cables, wires, buses, grounds, and support necessary to ensure a complete and operable electrical distribution center for the airport lighting system as specified herein and shown in the plans. When specified, an emergency power supply and transfer switch shall be provided and installed.

The equipment installation and mounting shall comply with the requirements of the National Electrical Code and local code agency having jurisdiction.

109-3.11 Power supply equipment. Transformers, regulators, booster transformers, and other power supply equipment items shall be furnished and installed at the location shown in the plans or as directed by the Engineer. The power supply equipment shall be set on steel "H" sections, "I" beams, channels, or concrete blocks to provide a minimum space of 1-1/2 inch (38 mm) between the equipment and the floor. The equipment shall be placed so as not to obstruct the oil-sampling plugs of the oil-filled units; and name-plates shall, so far as possible, not be obscured.

If specified in the plans and specifications, equipment for an alternate power source or an emergency power generator shall be furnished and installed. The alternate power supply installation shall include all equipment, accessories, an automatic changeover switch, and all necessary wiring and connections. The emergency power generator set shall be the size and type specified.

109-3.12 Switchgear and panels. Oil switches, fused cutouts, relays, transfer switches, panels, panel boards, and other similar items shall be furnished and installed at the location shown in the plans or as directed by the Engineer. Wall or ceiling mounted items shall be attached to the wall or ceiling with galvanized bolts of not less than 3/8 inch (9 mm) diameter engaging metal expansion shields or anchors in masonry or concrete vaults.

109-3.13 Duct and conduit. The Contractor shall furnish and install square-type exposed metallic ducts with hinged covers for the control circuits in the vault. These shall be mounted along the walls behind all floor-mounted equipment and immediately below all wall-mounted equipment. The hinged covers shall be placed to open from the front side with the hinges at the front bottom.

Wall brackets for square ducts shall be installed at all joints 2 feet (60 cm) or more apart with intermediate brackets as specified. Conduit shall be used between square ducts and equipment or between different items of equipment when the equipment is designed for conduit connection. When the equipment is not designed for conduit connection, conductors shall enter the square-type control duct through insulating bushings in the duct or on the conduit risers.

109-3.14 Wiring and connections. The Contractor shall make all necessary electrical connections in the vault per the wiring diagrams furnished and as directed by the Engineer. In wiring to the terminal blocks, the Contractor shall leave sufficient extra length on each control lead to make future changes in

connections at the terminal block. This shall be accomplished by running each control lead the longest way around the box to the proper terminal. Leads shall be neatly laced in place.

109-3.15 Marking and labeling. All equipment, control wires, terminal blocks, etc., shall be tagged, marked, or labeled as specified below:

a. Wire identification. The Contractor shall furnish and install self-sticking wire labels or identifying tags on all control wires at the point where they connect to the control equipment or to the terminal blocks. Wire labels, if used, shall be of the self-sticking preprinted type and of the manufacturer's recommended size for the wire involved. Identification -markings designated in the plans shall be followed. Tags, if used, shall be of fiber not less than 3/4 inch (19 mm) in diameter and not less than 1/32 inch (1 mm) thick. Identification markings designated in the plans shall be stamped on tags by means of small tool dies. Each tag shall be securely tied to the proper wire by a nonmetallic cord.

b. Labels. The Contractor shall stencil identifying labels on the cases of regulators, breakers, and distribution and control relay cases with white oil paint as designated by the Engineer. The letters and numerals shall be not less than one inch (25 mm) in height and shall be of proportionate width. The Contractor shall also mark the correct circuit designations per the wiring diagram on the terminal marking strips, which are a part of each terminal block.

METHOD OF MEASUREMENT

109-4.1 The quantity of vaults to be paid for under this item shall consist of the number of vaults constructed in place and accepted as a complete unit.

109-4.2 The quantity of prefabricated metal housings to be paid for under this item shall consist of the number of housings constructed in place and accepted as a complete unit.

109-4.3 The quantity of vault or prefabricated metal housing equipment to be paid for under this item shall consist of all equipment installed, connected, and accepted as a complete unit ready for operation.

BASIS OF PAYMENT

109-5.1 Payment will be made at the contract unit price for each completed and accepted vault or prefabricated metal housing equipment installation. This price shall be full compensation for furnishing all materials and for all preparation, assembly, and installation of these materials, and for all labor, equipment, tools, and incidentals necessary to complete the item.

Payment will be made under:

Item L-109-5.1	Construction of Airport Transformer Vault in Place - per unit
Item L-109-5.2	Installation of Airport Transformer Vault Equipment in Place - per unit
Item L-109-5.3	Construction of [Prefabricated Metal Housing] [Prefabricated Concrete Building] and Foundation in Place - per unit
Item L-109-5.4	Installation of [Prefabricated Metal Housing] [Prefabricated Concrete Building] Equipment in Place - per unit

MATERIAL REQUIREMENTS

AC 150/5340-30	Design and Installation Details for Airport Visual Aids
AC 150/5345-3	Specification for L-821, Panels for Remote Control of Airport Lighting
AC 150/5345-5	Circuit Selector Switch
AC 150/5345-7	Specification for L-824 Underground Electrical Cable for Airport Lighting Circuits
AC 150/5345-10	Specification for Constant Current Regulators and Regulator Monitors
AC 150/5345-13	Specification for L-841 Auxiliary Relay Cabinet Assembly for Pilot Control of Airport Lighting Circuits
AC 150/5345-49	Specification L-854, Radio Control Equipment;
AC 150/5345-53	Airport Lighting Equipment Certification Program
American National Standards Institute / Insulated Cable Engineers Association (ANSI/ICEA) S-85-625	Standard for Telecommunications Cable Aircore, Polyolefin Insulated, Copper Conductor Technical Requirements
ASTM A615	Standard Specification for Deformed and Plain Carbon-Steel Bars for Concrete Reinforcement
ASTM C62	Standard Specification for Building Brick (Solid Masonry Units Made from Clay or Shale)
ASTM C90	Standard Specification for Loadbearing Concrete Masonry Units
ASTM D2823	Standard Specification for Asphalt Roof Coatings, Asbestos Containing
ASTM D4479	Standard Specification for Asphalt Roof Coatings – Asbestos-Free
Commercial Item Description (CID) A-A 59544	Cable and Wire, Electrical (Power, Fixed Installation)
FED SPEC W-C-1094	Conduit and Conduit Fittings Plastic, Rigid
IEEE 1584	Guide for Performing Arc-Flash Hazard Calculations
MPI Reference #9	Alkyd, Exterior, Gloss (MPI Gloss Level 6)
SSPC Paint 25 BCS	Zinc Oxide, Alkyd, Linseed Oil, Primer for
Underwriters Laboratories Standard 6	Electrical Rigid Metal Conduit – Steel
NFPA-70	National Electrical Code (NEC)
NFPA-70E	Standard for Electrical Safety in the Workplace
NFPA-780	Standard for the Installation of Lightning Protection Systems

END OF ITEM L-109

Intentionally Left Blank

Item L-110 Airport Underground Electrical Duct Banks and Conduits

DESCRIPTION

110-1.1 This item shall consist of underground electrical conduits and duct banks (single or multiple conduits encased in concrete or buried in sand) installed per this specification at the locations and per the dimensions, designs, and details shown on the plans. This item shall include furnishing and installing of all underground electrical duct banks and individual and multiple underground conduits. It shall also include all turfing trenching, backfilling, removal, and restoration of any paved or turfed areas; concrete encasement, mandrelling, pulling lines, duct markers, plugging of conduits, and the testing of the installation as a completed system ready for installation of cables per the plans and specifications. This item shall also include furnishing and installing conduits and all incidentals for providing positive drainage of the system. Verification of existing ducts is incidental to the pay items provided in this specification.

EQUIPMENT AND MATERIALS

110-2.1 General.

a. All equipment and materials covered by referenced specifications shall be subject to acceptance through manufacturer's certification of compliance with the applicable specification when requested by the Engineer.

b. Manufacturer's certifications shall not relieve the Contractor of the responsibility to provide materials per these specifications and acceptable to the Engineer. Materials supplied and/or installed that do not comply with these specifications shall be removed, when directed by the Engineer and replaced with materials, that comply with these specifications, at the Contractor's cost.

c. All materials and equipment used to construct this item shall be submitted to the Engineer for approval prior to ordering the equipment. Submittals consisting of marked catalog sheets or shop drawings shall be provided. Submittal data shall be presented in a clear, precise and thorough manner. Original catalog sheets are preferred. Photocopies are acceptable provided they are as good a quality as the original. Clearly and boldly mark each copy to identify products or models applicable to this project. Indicate all optional equipment and delete non-pertinent data. Submittals for components of electrical equipment and systems shall identify the equipment for which they apply on each submittal sheet. Markings shall be made bold and clear with arrows or circles (highlighting is not acceptable). The Contractor is solely responsible for delays in project that accrue directly or indirectly from late submissions or resubmissions of submittals.

d. The data submitted shall be sufficient, in the opinion of the Engineer, to determine compliance with the plans and specifications. [The Contractor's submittals shall be neatly bound in a properly sized 3-ring binder, tabbed by specification section.] The Engineer reserves the right to reject any and all equipment, materials or procedures that do not meet the system design and the standards and codes specified in this document.

e. All equipment and materials furnished and installed under this section shall be guaranteed against defects in materials and workmanship for a period of at least [twelve (12) months] from final

acceptance by the Owner. The defective materials and/or equipment shall be repaired or replaced, at the Owner’s discretion, with no additional cost to the Owner.

The Engineer should specify the form in which submittals are to be received and number of copies.

The length of time for guarantee of materials and workmanship should be as stated in the contract between the Owner and Contractor and the contract special provisions.

110-2.2 Steel conduit. Rigid galvanized steel (RGS) conduit and fittings shall be hot dipped galvanized inside and out and conform to the requirements of Underwriters Laboratories Standards 6, 514B, and 1242. All RGS conduits or RGS elbows installed below grade, in concrete, permanently wet locations or other similar environments shall be painted with a 10 mil thick coat of asphaltum sealer or shall have a factory bonded polyvinyl chloride (PVC) cover. Any exposed galvanizing or steel shall be coated with 10 mil of asphaltum sealer. When using PVC coated RGS conduit, care shall be exercised not to damage the factory PVC coating. Damaged PVC coating shall be repaired per the manufacturer's written instructions.

110-2.3 Plastic conduit. Plastic conduit and fittings shall conform to the following requirements:

- UL 514B covers W-C-1094-Conduit fittings all types, classes 1 thru 3 and 6 thru 10.
- UL 514C covers W-C-1094- all types, Class 5 junction box and cover in plastic (PVC).
- UL 651 covers W-C-1094-Rigid PVC Conduit, types I and II, Class 4.
- UL 651A covers W-C-1094-Rigid PVC Conduit and high density polyethylene (HDPE) Conduit type III and Class 4.

Underwriters Laboratories Standards UL-651 and Article 352 of the current National Electrical Code shall be one of the following, as shown on the plans:

- a. Type I–Schedule 40 PVC suitable for underground use either direct-buried or encased in concrete.
- b. Type II–Schedule 40 PVC suitable for either above ground or underground use.
- c. Type III – Schedule 80 PVC suitable for either above ground or underground use either direct-buried or encased in concrete.
- d. Type III –HDPE pipe, minimum standard dimensional ratio (SDR) 11, suitable for placement with directional boring under pavement.

The type of solvent cement shall be as recommended by the conduit/fitting manufacturer.

110-2.4 Split conduit. Split conduit shall be pre-manufactured for the intended purpose and shall be made of steel or plastic.

110-2.5 Conduit spacers. Conduit spacers shall be prefabricated interlocking units manufactured for the intended purpose. They shall be of double wall construction made of high grade, high density polyethylene complete with interlocking cap and base pads, They shall be designed to accept No. 4 reinforcing bars installed vertically.

110-2.6 Concrete. Concrete shall conform to Item P-610, Structural Portland Cement Concrete, using [] inch maximum size coarse aggregate with a minimum 28-day compressive strength of [] psi.

Where reinforced duct banks are specified, reinforcing steel shall conform to ASTM A615 Grade 60. Concrete and reinforcing steel are incidental to the respective pay item of which they are a component part.

Typically, the maximum size aggregate should be specified as one inch (25 mm); however, Engineer may specify smaller to accommodate special situations where one inch (25 mm) aggregate may be too large.

Item P-610 requires concrete to develop a 28-day compressive strength of 4,000 psi. Engineer to determine the strength of concrete appropriate for the project and insert in paragraph 110-2.6.

110-2.7 Flowable backfill. Flowable material used to back fill conduit and duct bank trenches shall conform to the requirements of Item P-153, Controlled Low Strength Material. Fill shall be designed to achieve a 28-day compressive strength of 200 psi (1.4 MPa) under pavement.

110-2.8 Detectable warning tape. Plastic, detectable, American Public Works Association (APWA) Red (electrical power lines, cables, conduit and lighting cable) with continuous legend magnetic tape shall be polyethylene film with a metallized foil core and shall be 3-6 inches (75-150 mm) wide. Detectable tape is incidental to the respective bid item.

Specify color and legend.

CONSTRUCTION METHODS

110-3.1 General. The Contractor shall install underground duct banks and conduits at the approximate locations indicated on the plans. The Engineer shall indicate specific locations as the work progresses, if required to differ from the plans. Duct banks and conduits shall be of the size, material, and type indicated on the plans or specifications. Where no size is indicated on the plans or in the specifications, conduits shall be not less than 2 inches (50 mm) inside diameter or comply with the National Electrical Code based on cable to be installed, whichever is larger. All duct bank and conduit lines shall be laid so as to grade toward access points and duct or conduit ends for drainage. Unless shown otherwise on the plans, grades shall be at least 3 inches (75 mm) per 100 feet (30 m). On runs where it is not practicable to maintain the grade all one way, the duct bank and conduit lines shall be graded from the center in both directions toward access points or conduit ends, with a drain into the storm drainage system. Pockets or traps where moisture may accumulate shall be avoided. No duct bank or underground conduit shall be less than 18 inches (0.5 m) below finished grade. Where under pavement, the top of the duct bank shall not be less than 18 inches (0.5 m) below the subgrade.

For a closed conduit/duct bank system, the system should be designed to be connected to, and thus drain into, the airfield storm drainage system.

Engineer needs to be careful to define the term “subgrade” as it relates to pavement construction. In areas of pavement construction requiring the placement of

embankment, or in areas requiring over-excavation to remove unsuitable material, the desired location of the top of the duct bank needs to be clearly identified in areas susceptible to frost, the top of the duct bank should be placed at or below the level of the frost line.

The Contractor shall mandrel each individual conduit whether the conduit is direct-buried or part of a duct bank. An iron-shod mandrel, not more than 1/4 inch (6 mm) smaller than the bore of the conduit shall be pulled or pushed through each conduit. The mandrel shall have a leather or rubber gasket slightly larger than the conduit hole.

The Contractor shall swab out all conduits/ducts and clean base can, manhole, pull boxes, etc., interiors IMMEDIATELY prior to pulling cable. Once cleaned and swabbed the light bases, manholes, pull boxes, etc., and all accessible points of entry to the duct/conduit system shall be kept closed except when installing cables. Cleaning of ducts, base cans, manholes, etc., is incidental to the pay item of the item being cleaned. All raceway systems left open, after initial cleaning, for any reason shall be recleaned at the Contractor's expense. All accessible points shall be kept closed when not installing cable. The Contractor shall verify existing ducts proposed for use in this project as clear and open. The Contractor shall notify the Engineer of any blockage in the existing ducts.

For pulling the permanent wiring, each individual conduit, whether the conduit is direct-buried or part of a duct bank, shall be provided with a 200 pound (90 kg) test polypropylene pull rope. The ends shall be secured and sufficient length shall be left in access points to prevent it from slipping back into the conduit. Where spare conduits are installed, as indicated on the plans, the open ends shall be plugged with removable tapered plugs, designed for this purpose.

All conduits shall be securely fastened in place during construction and shall be plugged to prevent contaminants from entering the conduits. Any conduit section having a defective joint shall not be installed. Ducts shall be supported and spaced apart using approved spacers at intervals not to exceed 5 feet (1.5 m).

Unless otherwise shown on the plans, concrete encased duct banks shall be used when crossing under pavements expected to carry aircraft loads, such as runways, taxiways, taxilanes, ramps and aprons. When under paved shoulders and other paved areas, conduit and duct banks shall be encased using flowable fill for protection.

All conduits within concrete encasement of the duct banks shall terminate with female ends for ease in current and future use. Install factory plugs in all unused ends. Do not cover the ends or plugs with concrete.

Where turf is well established and the sod can be removed, it shall be carefully stripped and properly stored.

Trenches for conduits and duct banks may be excavated manually or with mechanical trenching equipment unless in pavement, in which case they shall be excavated with mechanical trenching equipment. Walls of trenches shall be essentially vertical so that a minimum of shoulder surface is disturbed. Blades of graders shall not be used to excavate the trench.

When rock is encountered, the rock shall be removed to a depth of at least 3 inches (75 mm) below the required conduit or duct bank depth and it shall be replaced with bedding material of earth or sand containing no mineral aggregate particles that would be retained on a 1/4 inch (6 mm) sieve. Flowable backfill may alternatively be used. The Contractor shall ascertain the type of soil or rock to be excavated before bidding. All such rock removal shall be performed and paid for under Item P-152.

Underground electrical warning (Caution) tape shall be installed in the trench above all underground duct banks and conduits in unpaved areas. Contractor shall submit a sample of the proposed warning tape for approval by the Engineer. If not shown on the plans, the warning tape shall be located 6 inches above the duct/conduit or the counterpoise wire if present.

Joints in plastic conduit shall be prepared per the manufacturer's recommendations for the particular type of conduit. Plastic conduit shall be prepared by application of a plastic cleaner and brushing a plastic solvent on the outside of the conduit ends and on the inside of the couplings. The conduit fitting shall then be slipped together with a quick one-quarter turn twist to set the joint tightly. Where more than one conduit is placed in a single trench, or in duct banks, joints in the conduit shall be staggered a minimum of 2 feet (60 cm).

Changes in direction of runs exceeding 10 degrees, either vertical or horizontal, shall be accomplished using manufactured sweep bends.

Whether or not specifically indicated on the drawings, where the soil encountered at established duct bank grade is an unsuitable material, as determined by the Engineer, the unsuitable material shall be removed per Item P-152 and replaced with suitable material. Alternatively, additional duct bank supports that are adequate and stable shall be installed, as approved by the Engineer.

All excavation shall be unclassified and shall be considered incidental to the respective L-110 pay item of which it is a component part. Dewatering necessary for duct installation, erosion and turbidity control, per Federal, state, and local requirements is incidental to its respective pay item as a part of Item L-110. The cost of all excavation regardless of type of material encountered, shall be included in the unit price bid for the L-110 Item.

Unless otherwise specified, excavated materials that are deemed by the Engineer to be unsuitable for use in backfill or embankments shall be removed and disposed of offsite.

Any excess excavation shall be filled with suitable material approved by the Engineer and compacted per Item P-152.

It is the Contractor's responsibility to locate existing utilities within the work area prior to excavation. Where existing active cables cross proposed installations, the Contractor shall ensure that these cables are adequately protected. Where crossings are unavoidable, no splices will be allowed in the existing cables, except as specified on the plans. Installation of new cable where such crossings must occur shall proceed as follows:

a. Existing cables shall be located manually. Unearthed cables shall be inspected to assure absolutely no damage has occurred

b. Trenching, etc., in cable areas shall then proceed with approval of the Engineer, with care taken to minimize possible damage or disruption of existing cable, including careful backfilling in area of cable.

In the event that any previously identified cable is damaged during the course of construction, the Contractor shall be responsible for the complete repair.

110-3.2 Duct banks. Unless otherwise shown in the plans, duct banks shall be installed so that the top of the concrete envelope is not less than 18 inches (0.5 m) below the bottom of the base or stabilized base course layers where installed under runways, taxiways, aprons, or other paved areas, and not less than 18 inches (0.5 m) below finished grade where installed in unpaved areas.

Unless otherwise shown on the plans, duct banks under paved areas shall extend at least 3 feet (1 m) beyond the edges of the pavement or 3 feet (1 m) beyond any under drains that may be installed alongside the paved area. Trenches for duct banks shall be opened the complete length before concrete is placed so that if any obstructions are encountered, provisions can be made to avoid them. Unless otherwise shown on the plans, all duct banks shall be placed on a layer of concrete not less than 3 inches (75 mm) thick

prior to its initial set. The Contractor shall space the conduits not less than 3 inch (75 mm) apart (measured from outside wall to outside wall). All such multiple conduits shall be placed using conduit spacers applicable to the type of conduit. As the conduit laying progresses, concrete shall be placed around and on top of the conduits not less than 3 inches (75 mm) thick unless otherwise shown on the plans. All conduits shall terminate with female ends for ease of access in current and future use. Install factory plugs in all unused ends. Do not cover the ends or plugs with concrete.

Conduits forming the duct bank shall be installed using conduit spacers. No. 4 reinforcing bars shall be driven vertically into the soil a minimum of 6 inches (150 mm) to anchor the assembly into the earth prior to placing the concrete encasement. For this purpose, the spacers shall be fastened down with locking collars attached to the vertical bars. Spacers shall be installed at 5-foot (1.5-m) intervals. Spacers shall be in the proper sizes and configurations to fit the conduits. Locking collars and spacers shall be submitted to the Engineer for review prior to use.

When specified, the Contractor shall reinforce the bottom side and top of encasements with steel reinforcing mesh or fabric or other approved metal reinforcement. When directed, the Contractor shall supply additional supports where the ground is soft and boggy, where ducts cross under roadways, or where shown on the plans. Under such conditions, the complete duct structure shall be supported on reinforced concrete footings, piers, or piles located at approximately 5-foot (1.5-m) intervals.

All pavement surfaces that are to have ducts installed therein shall be neatly saw cut to form a vertical face. All excavation shall be included in the contract with price for the duct.

Install a plastic, detectable, color as noted, 3 to 6 inches (75 to 150 mm) wide tape, 8 inches (200 mm) minimum below grade above all underground conduit or duct lines not installed under pavement. Utilize the 3-inch (75-mm) wide tape only for single conduit runs. Utilize the 6-inch (150-mm) wide tape for multiple conduits and duct banks. For duct banks equal to or greater than 24 inches (600 mm) in width, utilize more than one tape for sufficient coverage and identification of the duct bank as required.

When existing cables are to be placed in split duct, encased in concrete, the cable shall be carefully located and exposed by hand tools. Prior to being placed in duct, the Engineer shall be notified so that he may inspect the cable and determine that it is in good condition. Where required, split duct shall be installed as shown on the drawings or as required by the Engineer.

110-3.3 Conduits without concrete encasement. Trenches for single-conduit lines shall be not less than 6 inches (150 mm) nor more than 12 inches (300 mm) wide. The trench for 2 or more conduits installed at the same level shall be proportionately wider. Trench bottoms for conduits without concrete encasement shall be made to conform accurately to grade so as to provide uniform support for the conduit along its entire length.

Unless otherwise shown on the plans, a layer of fine earth material, at least 4 inches (100 mm) thick (loose measurement) shall be placed in the bottom of the trench as bedding for the conduit. The bedding material shall consist of soft dirt, sand or other fine fill, and it shall contain no particles that would be retained on a 1/4 inch (6 mm) sieve. The bedding material shall be tamped until firm. Flowable backfill may alternatively be used.

Unless otherwise shown on plans, conduits shall be installed so that the tops of all conduits within the Airport's secured area where trespassing is prohibited are at least 18 inches (0.5 m) below the finished grade. Conduits outside the Airport's secured area shall be installed so that the tops of the conduits are at least 24 inches (60 cm) below the finished grade per National Electric Code (NEC), Table 300.5.

When two or more individual conduits intended to carry conductors of equivalent voltage insulation rating are installed in the same trench without concrete encasement, they shall be spaced not less than 3 inches (75 mm) apart (measured from outside wall to outside wall) in a horizontal direction and not less than 6 inches (150 mm) apart in a vertical direction. Where two or more individual conduits intended to

carry conductors of differing voltage insulation rating are installed in the same trench without concrete encasement, they shall be placed not less than 3 inches (75 mm) apart (measured from outside wall to outside wall) in a horizontal direction and not less than 6 inches (150 mm) apart in a vertical direction.

Trenches shall be opened the complete length between normal termination points before conduit is installed so that if any unforeseen obstructions are encountered, proper provisions can be made to avoid them.

Conduits shall be installed using conduit spacers. No. 4 reinforcing bars shall be driven vertically into the soil a minimum of 6 inches (150 mm) to anchor the assembly into the earth while backfilling. For this purpose, the spacers shall be fastened down with locking collars attached to the vertical bars. Spacers shall be installed at 5-foot (1.5-m) intervals. Spacers shall be in the proper sizes and configurations to fit the conduits. Locking collars and spacers shall be submitted to the Engineer for review prior to use.

110-3.4 Markers. The location of each end and of each change of direction of conduits and duct banks shall be marked by a concrete slab marker 2 feet (60 cm) square and 4 - 6 inches (100 - 150 mm) thick extending approximately one inch (25 mm) above the surface. The markers shall also be located directly above the ends of all conduits or duct banks, except where they terminate in a junction/access structure or building. Each cable or duct run from a line of lights and signs to the equipment vault must be marked at approximately every 200 feet (61 m) along the cable or duct run, with an additional marker at each change of direction of cable or duct run.

The Contractor shall impress the word "DUCT" or "CONDUIT" on each marker slab. Impression of letters shall be done in a manner, approved by the Engineer, for a neat, professional appearance. All letters and words must be neatly stenciled. After placement, all markers shall be given one coat of high-visibility orange paint, as approved by the Engineer. The Contractor shall also impress on the slab the number and size of conduits beneath the marker along with all other necessary information as determined by the Engineer. The letters shall be 4 inches (100 mm) high and 3 inches (75 mm) wide with width of stroke 1/2 inch (12 mm) and 1/4 inch (6 mm) deep or as large as the available space permits. Furnishing and installation of duct markers is incidental to the respective duct pay item.

110-3.5 Backfilling for conduits. For conduits, 8 inches (200 mm) of sand, soft earth, or other fine fill (loose measurement) shall be placed around the conduits ducts and carefully tamped around and over them with hand tampers. The remaining trench shall then be backfilled and compacted per Item P-152 "Excavation and Embankment" except that material used for back fill shall be select material not larger than 4 inches (100 mm) in diameter.

Flowable backfill may alternatively be used.

Trenches shall not contain pools of water during back filling operations.

The trench shall be completely backfilled and tamped level with the adjacent surface; except that, where sod is to be placed over the trench, the backfilling shall be stopped at a depth equal to the thickness of the sod to be used, with proper allowance for settlement.

Any excess excavated material shall be removed and disposed of per instructions issued by the Engineer.

110-3.6 Backfilling for duct banks. After the concrete has cured, the remaining trench shall be backfilled and compacted per Item P-152 "Excavation and Embankment" except that the material used for backfill shall be select material not larger than 4 inches (100 mm) in diameter. In addition to the requirements of P-152, where duct banks are installed under pavement, one moisture/density test per lift shall be made for each 250 linear feet (76 m) of duct bank or one work period's construction, whichever is less.

Flowable backfill may alternatively be used.

Trenches shall not contain pools of water during backfilling operations.

The trench shall be completely backfilled and tamped level with the adjacent surface; except that, where sod is to be placed over the trench, the backfilling shall be stopped at a depth equal to the thickness of the sod to be used, with proper allowance for settlement.

Any excess excavated material shall be removed and disposed of per instructions issued by the Engineer.

110-3.7 Restoration. Where sod has been removed, it shall be replaced as soon as possible after the backfilling is completed. All areas disturbed by the work shall be restored to its original condition. The restoration shall include [sodding][topsoiling][fertilizing][liming] [seeding][sprigging][mulching] shown on the plans. The Contractor shall be held responsible for maintaining all disturbed surfaces and replacements until final acceptance. All restoration shall be considered incidental to the respective L-110 pay item. Following restoration of all trenching near airport movement surfaces, the Contractor shall thoroughly visually inspect the area for foreign object debris (FOD), and remove any such FOD that is found. This FOD inspection and removal shall be considered incidental to the pay item of which it is a component part.

Engineer to specify the correct method of turfing and include in the construction documents the appropriate FAA turfing specification for restoration related to the installation of such duct banks and conduits.

METHOD OF MEASUREMENT

110-4.1 Underground conduits and duct banks shall be measured by the linear feet (meter) of conduits and duct banks installed, including encasement, locator tape, trenching and backfill with designated material, and for drain lines, the termination at the drainage structure, all measured in place, completed, and accepted. Separate measurement shall be made for the various types and sizes.

BASIS OF PAYMENT

110-5.1 Payment will be made at the contract unit price per linear foot for each type and size of conduit and duct bank completed and accepted, including trench and backfill with the designated material, and, for drain lines, the termination at the drainage structure. This price shall be full compensation for furnishing all materials and for all preparation, assembly, and installation of these materials, and for all labor, equipment, tools, and incidentals necessary to complete this item per the provisions and intent of the plans and specifications.

Payment will be made under:

Item L-110-5.1	[Concrete Encased][Non-Encased] Electrical Duct Bank, [# and Size] - per linear foot (meter)
Item L-110-5.2	[Concrete Encased][Non-Encased] Electrical Conduit, [# and Size] - per linear foot (meter)

MATERIAL REQUIREMENTS

Advisory Circular (AC) 150/5340-30

Design and Installation Details for Airport Visual Aids

AC 150/5345-53	Airport Lighting Equipment Certification Program
ASTM A615	Standard Specification for Deformed and Plain Carbon-Steel Bars for Concrete Reinforcement
ASTM D1556	Standard Test Method for Density and Unit Weight of Soil in Place by the Sand-Cone Method
ASTM D1557	Standard Test Methods for Laboratory Compaction Characteristics of Soil Using Modified Effort (56,000 ft-lbf/ft ³ (2,700 kN-m/m ³))
ASTM D2167	Standard Test Method for Density and Unit Weight of Soil in Place by the Rubber Balloon Method
ASTM D2922	Standard Test Methods for Density of Soil and Soil-Aggregate in Place by Nuclear Methods (Shallow Depth)
NFPA-70	National Electrical Code (NEC)
Underwriters Laboratories Standard 6	Electrical Rigid Metal Conduit - Steel
Underwriters Laboratories Standard 514B	Conduit, Tubing, and Cable Fittings
Underwriters Laboratories Standard 514C	Nonmetallic Outlet Boxes, Flush-Device Boxes, and Covers
Underwriters Laboratories Standard 1242	Electrical Intermediate Metal Conduit Steel
Underwriters Laboratories Standard 651	Schedule 40, 80, Type EB and A Rigid PVC Conduit and Fittings
Underwriters Laboratories Standard 651A	Type EB and A Rigid PVC Conduit and HDPE Conduit

END OF ITEM L-110

Intentionally Left Blank

Item L-115 Electrical Manholes and Junction Structures

DESCRIPTION

115-1.1 This item shall consist of electrical manholes and junction structures (hand holes, pull boxes, junction cans, etc.) installed per this specification, at the indicated locations and conforming to the lines, grades and dimensions shown on the plans or as required by the Engineer. This item shall include the installation of each electrical manhole and/or junction structures with all associated excavation, backfilling, sheeting and bracing, concrete, reinforcing steel, ladders, appurtenances, testing, dewatering and restoration of surfaces to the satisfaction of the Engineer.

EQUIPMENT AND MATERIALS

115-2.1 General.

a. All equipment and materials covered by referenced specifications shall be subject to acceptance through manufacturer's certification of compliance with the applicable specification when so requested by the Engineer.

b. Manufacturer's certifications shall not relieve the Contractor of the responsibility to provide materials per these specifications. Materials supplied and/or installed that do not comply with these specifications shall be removed (when directed by the Engineer) and replaced with materials that comply with these specifications at the Contractor's cost.

c. All materials and equipment used to construct this item shall be submitted to the Engineer for approval prior to ordering the equipment. Submittals consisting of marked catalog sheets or shop drawings shall be provided. Submittal data shall be presented in a clear, precise and thorough manner. Original catalog sheets are preferred. Photocopies are acceptable provided they are as good a quality as the original. Clearly and boldly mark each copy to identify products or models applicable to this project. Indicate all optional equipment and delete any non-pertinent data. Submittals for components of electrical equipment and systems shall identify the equipment to which they apply on each submittal sheet. Markings shall be made bold and clear with arrows or circles (highlighting is not acceptable). The Contractor is solely responsible for delays in the project that may accrue directly or indirectly from late submissions or resubmissions of submittals.

d. The data submitted shall be sufficient, in the opinion of the Engineer, to determine compliance with the plans and specifications. [The Contractor's submittals shall be neatly bound in a properly sized 3-ring binder, tabbed by specification section.] The Engineer reserves the right to reject any and all equipment, materials or procedures that do not meet the system design and the standards and codes, specified in this document.

e. All equipment and materials furnished and installed under this section shall be guaranteed against defects in materials and workmanship for a period of at least [twelve (12) months] from the date of final acceptance by the Owner. The defective materials and/or equipment shall be repaired or replaced, at the Owner's discretion, with no additional cost to the Owner.

The Engineer should specify the form in which submittals are to be received and number of copies.

The length of time for guarantee of materials and workmanship should be as stated in the contract between the Owner and Contractor and the contract special provisions.

115-2.2 Concrete structures. Cast-in-place concrete structures shall be per the details and dimensions shown on the plans.

Provide precast concrete structures where shown on the plans. Precast concrete structures shall be an approved standard design of the manufacturer. Precast units shall have mortar or bitumastic sealer placed between all joints to make them watertight. The structure shall be designed to withstand [___ lb aircraft] loads, unless otherwise shown on the plans. Openings or knockouts shall be provided in the structure as detailed on the plans.

Engineer to specify load characteristics for precast concrete structure based on design aircraft. It is the intent of this specification for the design Engineer to design a cast-in-place structure that is detailed on the plans that will be suitable for the design loads and subgrade soil characteristics. If the Contractor proposes to use a substitute structure design, design calculations shall be submitted according to the procedure in the General Provisions.

Threaded inserts and pulling eyes shall be cast in as shown.

If the Contractor chooses to propose a different structural design, signed and sealed shop drawings, design calculations, and other information requested by the Engineer shall be submitted by the Contractor to allow for a full evaluation by the Engineer. The Engineer shall review per the process defined in the General Provisions.

115-2.3 Junction boxes. Junction boxes shall be L-867 Class 1 (non-load bearing) or L-868 Class 1 (load bearing) airport light bases that are encased in concrete. The light bases shall have a galvanized steel blank cover, gasket, and stainless steel or coated steel hardware per FAA Engineering Brief (EB) #83. Covers shall be 3/8-inch (9-mm) thickness for L-867 and 3/4-inch (19-mm) thickness for L-868.

115-2.4 Mortar. The mortar shall be composed of one part of Portland cement and two parts of mortar sand, by volume. The Portland cement shall be per the requirements in ASTM C150, Type I. The sand shall be per the requirements in ASTM C144. Hydrated lime may be added to the mixture of sand and cement in an amount not to exceed 15% of the weight of cement used. The hydrated lime shall meet the requirements of ASTM C6. Water shall be potable, reasonably clean and free of oil, salt, acid, alkali, sugar, vegetable, or other substances injurious to the finished product.

115-2.5 Concrete. All concrete used in structures shall conform to the requirements of Item P-610, Structural Portland Cement Concrete.

115-2.6 Frames and covers. The frames shall conform to one of the following requirements:

- a. ASTM A48 Gray iron castings

- b. ASTM A47 Malleable iron castings
- c. ASTM A27 Steel castings
- d. ASTM A283, Grade D Structural steel for grates and frames
- e. ASTM A536 Ductile iron castings
- f. ASTM A897 Austempered ductile iron castings

All castings specified shall withstand a maximum tire pressure of [____] psi and maximum load of [____] lbs.

Engineer to specify load characteristics for castings based on design aircraft.

All castings or structural steel units shall conform to the dimensions shown on the plans and shall be designed to support the loadings specified.

Each frame and cover unit shall be provided with fastening members to prevent it from being dislodged by traffic, but which will allow easy removal for access to the structure.

All castings shall be thoroughly cleaned. After fabrication, structural steel units shall be galvanized to meet the requirements of ASTM A123.

Each cover shall have the word "ELECTRIC" or other approved designation cast on it. Each frame and cover shall be as shown on the plans or approved equivalent. No cable notches are required.

Each manhole shall be provided with a "DANGER -- PERMIT-REQUIRED CONFINED SPACE, DO NOT ENTER" safety warning sign as detailed in the Contract Documents and in accordance with OSHA 1910.146 (c)(2).

115-2.7 Ladders. Ladders, if specified, shall be galvanized steel or as shown on the plans.

115-2.8 Reinforcing steel. All reinforcing steel shall be deformed bars of new billet steel meeting the requirements of ASTM A615, Grade 60.

115-2.9 Bedding/special backfill. Bedding or special backfill shall be as shown on the plans.

115-2.10 Flowable backfill. Flowable material used to backfill shall conform to the requirements of Item P-153, Controlled Low Strength Material.

115-2.11 Cable trays. Cable trays shall be of galvanized steel, plastic, or aluminum. Cable trays shall be located as shown on the plans.

Engineer to specify cable tray based on type of structure and user preference.

115-2.12 Plastic conduit. Plastic conduit shall comply with Item L-110, Airport Underground Electrical Duct Banks and Conduits.

115-2.13 Conduit terminators. Conduit terminators shall be pre-manufactured for the specific purpose and sized as required or as shown on the plans.

115-2.14 Pulling-in irons. Pulling-in irons shall be manufactured with 7/8 inch (22 mm) diameter hot-dipped galvanized steel or stress-relieved carbon steel roping designed for concrete applications (7 strand, 1/2 inch (12 mm) diameter with an ultimate strength of 270,000 psi (1862 MPa)). Where stress-relieved carbon steel roping is used, a rustproof sleeve shall be installed at the hooking point and all exposed surfaces shall be encapsulated with a polyester coating to prevent corrosion.

115-2.15 Ground rods. Ground rods shall be one piece, [solid stainless steel] [copper] or [copper clad]. The ground rods shall be of the length and diameter specified on the plans, but in no case shall they be less than 8 feet (2.4 m) long nor less than 5/8 inch (16 mm) in diameter.

Engineer should evaluate the soils in the vicinity of proposed counterpoise and ground rod installations and determine if soil conditions would adversely affect copper. Engineer shall specify the type of ground rod and counterpoise wire to be installed in consideration of the soil conditions.

CONSTRUCTION METHODS

115-3.1 Unclassified excavation. It is the Contractor’s responsibility to locate existing utilities within the work area prior to excavation. Damage to utility lines, through lack of care in excavating, shall be repaired or replaced to the satisfaction of the Engineer without additional expense to the Owner.

The Contractor shall perform excavation for structures and structure footings to the lines and grades or elevations shown on the plans or as staked by the Engineer. The excavation shall be of sufficient size to permit the placing of the full width and length of the structure or structure footings shown.

All excavation shall be unclassified and shall be considered incidental to the respective L-115 pay item of which it is a component part. Dewatering necessary for L-115 structure installation, erosion and turbidity control, per Federal, state, and local requirements is incidental to its respective pay item as a part of Item L-115. The cost of all excavation regardless of type of material encountered, shall be included in the unit price bid for the L-115 Item.

Boulders, logs and all other objectionable material encountered in excavation shall be removed. All rock and other hard foundation material shall be cleaned of all loose material and cut to a firm surface either level, stepped or serrated, as directed by the Engineer. All seams, crevices, disintegrated rock and thin strata shall be removed. When concrete is to rest on a surface other than rock, special care shall be taken not to disturb the bottom of the excavation. Excavation to final grade shall not be made until just before the concrete or reinforcing is to be placed.

The Contractor shall provide all bracing, sheeting and shoring necessary to implement and protect the excavation and the structure as required for safety or conformance to governing laws. The cost of bracing, sheeting and shoring shall be included in the unit price bid for the structure.

Unless otherwise provided, bracing, sheeting and shoring involved in the construction of this item shall be removed by the Contractor after the completion of the structure. Removal shall be effected in a manner that will not disturb or mar finished masonry. The cost of removal shall be included in the unit price bid for the structure.

After each excavation is completed, the Contractor shall notify the Engineer. Structures shall be placed after the Engineer has approved the depth of the excavation and the suitability of the foundation material.

Prior to installation the Contractor shall provide a minimum of 6 inches (150 mm) of sand or a material approved by the Engineer as a suitable base to receive the structure. The base material shall be compacted and graded level and at proper elevation to receive the structure in proper relation to the conduit grade or ground cover requirements, as indicated on the plans.

115-3.2 Concrete structures. Concrete structures shall be built on prepared foundations conforming to the dimensions and form indicated on the plans. The concrete and construction methods shall conform to the requirements specified in Item P-610. Any reinforcement required shall be placed as indicated on the plans and shall be approved by the Engineer before the concrete is placed.

115-3.3 Precast unit installations. Precast units shall be installed plumb and true. Joints shall be made watertight by use of sealant at each tongue-and-groove joint and at roof of manhole. Excess sealant shall be removed and severe surface projections on exterior of neck shall be removed.

115-3.4 Placement and treatment of castings, frames and fittings. All castings, frames and fittings shall be placed in the positions indicated on the Plans or as directed by the Engineer and shall be set true to line and to correct elevation. If frames or fittings are to be set in concrete or cement mortar, all anchors or bolts shall be in place and position before the concrete or mortar is placed. The unit shall not be disturbed until the mortar or concrete has set.

Field connections shall be made with bolts, unless indicated otherwise. Welding will not be permitted unless shown otherwise on the approved shop drawings and written permission is granted by the casting manufacturer. Erection equipment shall be suitable and safe for the workman. Errors in shop fabrication or deformation resulting from handling and transportation that prevent the proper assembly and fitting of parts shall be reported immediately to the Engineer and approval of the method of correction shall be obtained. Approved corrections shall be made at Contractor's expense.

Anchor bolts and anchors shall be properly located and built into connection work. Bolts and anchors shall be preset by the use of templates or such other methods as may be required to locate the anchors and anchor bolts accurately.

Pulling-in irons shall be located opposite all conduit entrances into structures to provide a strong, convenient attachment for pulling-in blocks when installing cables. Pulling-in irons shall be set directly into the concrete walls of the structure.

115-3.5 Installation of ladders. Ladders shall be installed such that they may be removed if necessary. Mounting brackets shall be supplied top and bottom and shall be cast in place during fabrication of the structure or drilled and grouted in place after erection of the structure.

115-3.6 Removal of sheeting and bracing. In general, all sheeting and bracing used to support the sides of trenches or other open excavations shall be withdrawn as the trenches or other open excavations are being refilled. That portion of the sheeting extending below the top of a structure shall be withdrawn, unless otherwise directed, before more than 6 inches (150 mm) of material is placed above the top of the structure and before any bracing is removed. Voids left by the sheeting shall be carefully refilled with selected material and rammed tight with tools especially adapted for the purpose or otherwise as may be approved.

The Engineer may order the Contractor to delay the removal of sheeting and bracing if, in his judgment, the installed work has not attained the necessary strength to permit placing of backfill.

115-3.7 Backfilling. After a structure has been completed, the area around it shall be backfilled in horizontal layers not to exceed 6 inches (150 mm) in thickness measured after compaction to the density requirements in Item P-152. Each layer shall be deposited all around the structure to approximately the same elevation. The top of the fill shall meet the elevation shown on the plans or as directed by the Engineer.

Backfill shall not be placed against any structure until permission is given by the Engineer. In the case of concrete, such permission shall not be given until tests made by the laboratory under supervision of the Engineer establish that the concrete has attained sufficient strength to provide a factor of safety against damage or strain in withstanding any pressure created by the backfill or the methods used in placing it.

Where required, the Engineer may direct the Contractor to add, at his own expense, sufficient water during compaction to assure a complete consolidation of the backfill. The Contractor shall be responsible for all damage or injury done to conduits, duct banks, structures, property or persons due to improper placing or compacting of backfill.

115-3.8 Connection of duct banks. To relieve stress of joint between concrete-encased duct banks and structure walls, reinforcement rods shall be placed in the structure wall and shall be formed and tied into duct bank reinforcement at the time the duct bank is installed.

115-3.9 Grounding. A ground rod shall be installed in the floor of all concrete structures so that the top of rod extends 6 inches (150 mm) above the floor. The ground rod shall be installed within one foot (30 cm) of a corner of the concrete structure. Ground rods shall be installed prior to casting the bottom slab. Where the soil condition does not permit driving the ground rod into the earth without damage to the ground rod, the Contractor shall drill a 4 inch (100 mm) diameter hole into the earth to receive the ground rod. The hole around the ground rod shall be filled throughout its length, below slab, with Portland cement grout. Ground rods shall be installed in precast bottom slab of structures by drilling a hole through bottom slab and installing the ground rod. Bottom slab penetration shall be sealed watertight with Portland cement grout around the ground rod.

A grounding bus of 4/0 bare stranded copper shall be exothermically bonded to the ground rod and loop the concrete structure walls. The ground bus shall be a minimum of one foot (30 cm) above the floor of the structure and separate from other cables. No. 2 American wire gauge (AWG) bare copper pigtailed shall bond the grounding bus to all cable trays and other metal hardware within the concrete structure. Connections to the grounding bus shall be exothermic. If an exothermic weld is not possible, connections to the grounding bus shall be made by using connectors approved for direct burial in soil or concrete per UL 467. Hardware connections may be mechanical, using a lug designed for that purpose.

115-3.10 Cleanup and repair. After erection of all galvanized items, damaged areas shall be repaired by applying a liquid cold-galvanizing compound per MIL-P-21035. Surfaces shall be prepared and compound applied per the manufacturer's recommendations.

Prior to acceptance, the entire structure shall be cleaned of all dirt and debris.

115-3.11 Restoration. After the backfill is completed, the Contractor shall dispose of all surplus material, dirt and rubbish from the site. The Contractor shall restore all disturbed areas equivalent to or better than their original condition. All sodding, grading and restoration shall be considered incidental to the respective L-115 pay item.

The Contractor shall grade around structures as required to provide positive drainage away from the structure.

Areas with special surface treatment, such as roads, sidewalks, or other paved areas shall have backfill compacted to match surrounding areas, and surfaces shall be repaired using materials comparable to original materials.

Following restoration of all trenching near airport movement surfaces, the Contractor shall thoroughly visually inspect the area for foreign object debris (FOD), and remove any such FOD that is found. This FOD inspection and removal shall be considered incidental to the pay item of which it is a component part.

After all work is completed, the Contractor shall remove all tools and other equipment, leaving the entire site free, clear and in good condition.

115-3.12 Inspection. Prior to final approval, the electrical structures shall be thoroughly inspected for conformance with the plans and this specification. Any indication of defects in materials or workmanship shall be further investigated and corrected. The earth resistance to ground of each ground rod shall not exceed 25 ohms. Each ground rod shall be tested using the fall-of-potential ground impedance test per American National Standards Institute / Institute of Electrical and Electronic Engineers (ANSI/IEEE) Standard 81. This test shall be performed prior to establishing connections to other ground electrodes.

115-3.13 Manhole elevation adjustments. The Contractor shall adjust the tops of existing manholes in areas designated in the Contract Documents to the new elevations shown. The Contractor shall be responsible for determining the exact height adjustment required to raise the top of each manhole to the new elevations. The existing top elevation of each manhole to be adjusted shall be determined in the field and subtracted/added from the proposed top elevation.

The Contractor shall remove/extend the existing top section or ring and cover on the manhole structure or manhole access. The Contractor shall then install precast concrete sections or grade rings of the required dimensions to adjust the manhole top to the new proposed elevation or shall cut the existing manhole walls to shorten the existing structure, as required by final grades. Finally, the Contractor shall reinstall the manhole top section or ring and cover on top and check the new top elevation.

The Contractor shall construct a concrete slab around the top of adjusted structures located in graded areas that are not to be paved. The concrete slab shall conform to the dimensions shown on the plans.

The Engineer should require the precast sections be designed per paragraph 115-2.2.

115-3.14 Duct extension to existing ducts. Where existing concrete encased ducts are to be extended, the duct extension shall be concrete encased plastic conduit. The fittings to connect the ducts together shall be standard manufactured connectors designed and approved for the purpose. The duct extensions shall be installed according to the concrete encased duct detail and as shown on the plans.

METHOD OF MEASUREMENT

115-4.1 Electrical manholes and junction structures shall be measured by each unit completed in place and accepted. The following additional items are specifically included in each unit:

- All Required Excavation, Dewatering
- Sheeting and Bracing
- All Required Backfilling with On-Site Materials
- Restoration of All Surfaces and Finished Grading, Sodding
- All Required Connections
- Dewatering If Required
- Temporary Cables and Connections
- Ground Rod Testing

115-4.2 Manhole elevation adjustments shall be measured by the completed unit installed, in place, completed, and accepted. Separate measurement shall not be made for the various types and sizes.

BASIS OF PAYMENT

115-5.1 The accepted quantity of electrical manholes and junction structures will be paid for at the Contract unit price per each, complete and in place. This price shall be full compensation for furnishing all materials and for all preparation, excavation, backfilling and placing of the materials, furnishing and installation of appurtenances and connections to duct banks and other structures as may be required to complete the item as shown on the plans and for all labor, equipment, tools and incidentals necessary to complete the structure.

115-5.2 Payment shall be made at the contract unit price for manhole elevation adjustments. This price shall be full compensation for furnishing all materials and for all preparation, assembly, and installation of these materials, and for all labor, equipment, tools, and incidentals necessary, including but not limited to, spacers, concrete, rebar, dewatering, excavating, backfill, topsoil, sodding and pavement restoration, where required, to complete this item as shown in the plans and to the satisfaction of the Engineer.

Payment will be made under:

Item L-115-5.1	Electrical Manhole [size and type] - Per Each
Item L-115-5.2	Electrical Junction Structure [size and type] - Per Each
Item L-115-5.3	Existing Electrical Manhole/Junction Structure Elevation Adjustment [size and type] - Per Each
Item L-115-5.4	Electrical Handhole [Size and Type] - Per Each

MATERIAL REQUIREMENTS

ANSI/IEEE STD 81	IEEE Guide for Measuring Earth Resistivity, Ground Impedance, and Earth Surface Potentials of a Ground System
Advisory Circular (AC) 150/5345-7	Specification for L-824 Underground Electrical Cable for Airport Lighting Circuits
AC 150/5345-26	Specification for L-823 Plug and Receptacle, Cable Connectors
AC 150/5345-42	Specification for Airport Light Bases, Transformer Housings, Junction Boxes, and Accessories
AC 150/5340-30	Design and Installation Details for Airport Visual Aids
AC 150/5345-53	Airport Lighting Equipment Certification Program
Commercial Item Description A-A 59544	Cable and Wire, Electrical (Power, Fixed Installation)
ASTM A27	Standard Specification for Steel Castings, Carbon, for General Application
ASTM A47	Standard Specification for Ferritic Malleable Iron Castings
ASTM A48	Standard Specification for Gray Iron Castings
ASTM A123	Standard Specification for Zinc (Hot Dip Galvanized) Coatings on Iron and Steel Products

ASTM A283	Standard Specification for Low and Intermediate Tensile Strength Carbon Steel Plates
ASTM A536	Standard Specification for Ductile Iron Castings
ASTM A615	Standard Specification for Deformed and Plain Carbon-Steel Bars for Concrete Reinforcement
ASTM A897	Standard Specification for Austempered Ductile Iron Castings
ASTM C144	Standard Specification for Aggregate for Masonry Mortar
ASTM C150	Standard Specification for Portland Cement
ASTM C206	Standard Specification for Finishing Hydrated Lime
FAA EB #83	In Pavement Light Fixture Bolts
MIL-P-21035	Paint High Zinc Dust Content, Galvanizing Repair
NFPA-70	National Electrical Code (NEC)

END OF ITEM L-115

Intentionally Left Blank

Item L-119 Airport Obstruction Lights

DESCRIPTION

119-1.1 This item shall consist of furnishing and installing obstruction lights per these specifications. Included in this item shall be the furnishing and installing of wood poles, steel or iron pipes, or other supports as required in the plans or specifications and in accordance with the requirements in advisory circular (AC) 70/7460-1, Obstruction Marking and Lighting

This item shall also include all wire and cable connections, the furnishing and installing of all necessary conduits and fittings, insulators, pole steps, pole cross arms, and the painting of poles and pipes. In addition, it includes the furnishing and installing of all lamps and, if required, the furnishing and installing of insulating transformers, the servicing and testing of the installation and all incidentals necessary to place the lights in operation as completed units to the satisfaction of the Engineer.

EQUIPMENT AND MATERIALS

119-2.1 General.

a. Airport lighting equipment and materials covered by specifications shall be certified and listed under AC 150/5345-53, Airport Lighting Equipment Certification Program.

b. All other equipment and materials covered by other referenced specifications shall be subject to acceptance through manufacturer's certification of compliance with the applicable specification when requested by the Engineer.

c. Manufacturer's certifications shall not relieve the Contractor of the responsibility to provide materials per these specifications. Materials supplied and/or installed that do not comply with these specifications shall be removed (when directed by the Engineer) and replaced with materials that comply with these specifications at the Contractor's cost.

d. All materials and equipment used to construct this item shall be submitted to the Engineer for approval prior to ordering the equipment. Submittals consisting of marked catalog sheets or shop drawings shall be provided. Submittal data shall be presented in a clear, precise and thorough manner. Original catalog sheets are preferred. Photocopies are acceptable provided they are as good a quality as the original. Clearly and boldly mark each copy to identify products or models applicable to this project. Indicate all optional equipment and delete any non-pertinent data. Submittals for components of electrical equipment and systems shall identify the equipment to which they apply on each submittal sheet. Markings shall be made bold and clear with arrows or circles (highlighting is not acceptable). Contractor is solely responsible for delays in the project that accrue directly or indirectly from late submissions or resubmissions of submittals.

e. The data submitted shall be sufficient, in the opinion of the Engineer, to determine compliance with the plans and specifications. [The Contractor's submittals shall be neatly bound in a properly sized 3-ring binder, tabbed by specification section.] The Engineer reserves the right to reject any and all equipment, materials or procedures that do not meet the system design and the standards and codes, specified in this document.

f. All equipment and materials furnished and installed under this section shall be guaranteed against defects in materials and workmanship for at least [twelve (12) months] from final acceptance

by the Owner. The defective materials and/or equipment shall be repaired or replaced, at the Owner's discretion, with no additional cost to the Owner.

The Engineer should specify the form in which submittals are to be received and number of copies.

The length of time for guarantee of materials and workmanship should be as stated in the contract h the Owner and Contractor and the contract special provisions.

119-2.2 Obstruction lights. The obstruction lighting assembly shall be Type [___] meeting the requirements of AC 150/5345-43, Specification for Obstruction Lighting Equipment."

119-2.3 Isolation transformers. Where required for series circuits, the isolation transformers shall conform to the requirements of AC 150/5345-47, Specification for Series to Series Isolation Transformers for Airport Lighting Systems.

119-2.4 Transformer housing. Transformer housings, if specified, shall be per AC 150/5345-42, Specification for Airport Light Bases, Transformer Housings, Junction Boxes, and Accessories.

119-2.5 Conduit. Steel conduit and fittings shall be per Underwriters Laboratories Standards 6, 514B, and 1242.

119-2.6 Plastic conduit (for use below grade only). Plastic conduit and fittings shall be per:

- UL 514B covers W-C-1094 - Conduit fittings all types, classes 1 through 3 and 6 through 10
- UL 514C covers W-C-1094 - all types, class 5 junction box and cover in plastic (PVC)
- UL 651 covers W-C-1094 - Rigid PVC Conduit, types I and II, class 4
- UL 651A covers W-C-1094 - Rigid PVC Conduit and high density polyethylene (HDPE) Conduit type III and class 4

and must be one of the following, as shown on the plans:

- a. Type I—Schedule 40 PVC suitable for underground use either direct-buried or encased in concrete.
- b. Type II—Schedule 40 PVC suitable for either above ground or underground use.

119-2.7 Electrical wire and cable. For ratings up to 600 volts, moisture and heat resistant thermoplastic wire conforming to Commercial Item Description A-A-59544A, Type THWN-2, shall be used. The wires shall be of the type, size, number of conductors, and voltage shown in the plans or in the proposal. Overhead line wire from pole to pole, where specified, shall be per American National Standards Institute/Insulated Cable Engineers Association (ANSI/ICEA) S-70-547-2007.

119-2.8 Miscellaneous. Paint, poles, pole steps, insulators, and all other miscellaneous materials necessary for the completion of this item shall be new and first-grade commercial products. These products shall be as specified in the plans or specifications.

CONSTRUCTION METHODS

119-3.1 Placing the obstruction lights. The Contractor shall furnish and install single-or double-obstruction lights as specified in the proposal and shown in the plans. The obstruction lights shall be

mounted on poles, buildings, or towers at approximately the location shown in the plans. The exact location shall be as directed by the Engineer AC 70/7460-1, Obstruction Marking and Lighting.

119-3.2 Installation on poles. Where obstruction lights are to be mounted on poles, each obstruction light shall be installed with its hub at least as high as the top of the pole. All wiring shall be run in not less than one inch (25 mm) galvanized rigid steel conduit. If specified, pole steps shall be furnished and installed, the lowest step being 5 feet (1.5 m) above ground level. Steps shall be installed alternately on diametrically opposite sides of the pole to give a rise of 18 inches (0.5 m) for each step. Conduit shall be fastened to the pole with galvanized steel pipe straps and shall be secured by galvanized lag screws. Poles shall be painted as shown in the plans and specifications.

When obstruction lights are installed on existing telephone or power poles, a large fiber insulating sleeve of adequate diameter and not less than 4 feet (1.2 m) long, shall be installed to extend 6 inches (150 mm) above the conductors on the upper cross arm. In addition, the sleeve shall be at least 18 inches (0.5 m) below the conductors on the lower cross arm. The details of this installation shall be per the plans.

119-3.3 Installation on beacon tower. Where obstruction lights are installed on a beacon tower, two obstruction lights shall be mounted on top of the beacon tower using one inch (25 mm) conduit. The conduit shall screw directly into the obstruction light fixtures and shall support them at a height of not less than 4 inches (100 mm) above the top of the rotating beacon. If obstruction lights are specified at lower levels, the Contractor shall install not less than one inch (25 mm) galvanized rigid steel conduit with standard conduit fittings for mounting the fixtures. The fixtures shall be mounted in an upright position in all cases. The conduit shall be fastened to the tower members with Wraplock® straps (or equivalent), clamps, or approved fasteners spaced approximately 5 feet (1.5 m) apart. Three coats of international orange paint per Federal Specification 595, Number 12197 shall be applied (one prime, one body, and one finish coat) to all exposed material installed.

119 3.4 Installation on buildings, towers, smokestacks, etc. Where obstruction lights are to be installed on buildings or similar structures, the installation shall be made per the details shown in the plans. The hub of the obstruction light shall be not less than one foot (30 cm) above the highest point of the obstruction except in the case of smokestacks where the uppermost units shall be mounted not less than 5 feet (1.5 m), nor more than 10 feet (3 m) below the top of the stack. Conduit supporting the obstruction light units shall be fastened to wooden structures with galvanized steel pipe straps and shall be secured by 1-1/2 inch (38 mm) No. 10 galvanized wood screws. Conduit shall be fastened to masonry structures by the use of expansion shields, screw anchors, or toggle bolts using No. 10, or larger, galvanized wood or machine screws. Conduit fastened to structural steel shall have the straps held with not less than No. 10 roundhead machine screws in drilled and tapped holes. Fastenings shall be approximately 5 feet (1.5 m) apart. Three coats of paint shall be applied (one prime, one body, and one finish coat) with color per Federal Specification 595, international orange, number 12197 paint to all exposed material installed.

119-3.5 Series isolation transformers. If it is designed for use in a series lighting circuit, the L-810 series obstruction light does not include a film cutout. Therefore, an isolation transformer is required with each series lamp. Double series units of this type require two isolation transformers. The transformer shall be housed in a light base per paragraph 119-2.4 or buried directly in the earth per the details shown in the plans.

119-3.6 Wiring. The Contractor shall furnish all necessary labor and materials. The Contractor shall make complete electrical connections from the underground cable or other source of power per the wiring diagram furnished with the project plans. If underground cable is required for the power feed and if duct is required under paved areas, the cable and duct shall be installed per and paid for as described in Item L-108, Underground Power Cable for Airports, and Item L-110, Airport Underground Electrical Duct Banks and Conduit.

119-3.7 Lamps. The Contractor shall furnish and install in each unit one or two lamps that are per the manufacturer's requirements. Provide two lamp sets as spares.

119-3.8 Tests. The installation shall be fully tested by continuous operation for not less than 1/2 hour as a completed unit prior to acceptance. These tests shall include the functioning of each control not less than 10 times.

METHOD OF MEASUREMENT

119-4.1 The quantity of lights to be paid for under this item shall be the number of single- or double-type obstruction lights installed and accepted as completed units, in place, ready for operation.

BASIS OF PAYMENT

119-5.1 Payment will be made at the contract unit price for each completed obstruction light installed, in place by the Contractor, and accepted by the Engineer. This price shall be full compensation for furnishing all materials and for all preparation, assembly, and installation of these materials, and for all labor, equipment, tools, and incidentals necessary to complete this item.

Payment will be made under:

Item L-119-5.1 Airport Obstruction Light, in Place - per each

MATERIAL REQUIREMENTS

AC 70/7460-1	Obstruction Marking and Lighting
AC 150/5340-30	Design and Installation Details for Airport Visual Aids
AC 150/5345-7	Specification for L-824 Underground Electrical Cable for Airport Lighting Circuits
AC 150/5345-42	Specification for Airport Light Bases, Transformer Housing, Junction Boxes, and Accessories
AC 150/5345-43	Specification for Obstruction Lighting Equipment
AC 150/5345-47	Specification for Series to Series Isolation Transformers for Airport Lighting Systems
AC 150/5345-53	Airport Lighting Equipment Certification Program
ANSI/ICEA S-70-547-2007	Standards for Weather-Resistant Polyolefin Covered Connectors
Commercial Item Description A-A-59544A	Cable and Wire, Electrical (Power, Fixed Installation)
FED STD 595	Colors used in Government Procurement
NFPA-70	National Electrical Code (NEC)
Underwriters Laboratories Standard 6	Electrical Rigid Metal Conduit – Steel
Underwriters Laboratories Standard 514B	Conduit, Tubing, and Cable Fittings

Underwriters Laboratories Standard 514C
Nonmetallic Outlet Boxes, Flush-Device Boxes, and Covers

Underwriters Laboratories Standard 651
Schedule 40, 80, Type EB and A Rigid PVC Conduit and Fittings

Underwriters Laboratories Standard 651A
Type EB and A Rigid PVC Conduit and HDPE Conduit

Underwriters Laboratories Standard 1242
Electrical Intermediate Metal Conduit - Steel

END OF ITEM L-119

Intentionally Left Blank